



US00D338086S

United States Patent [19]

[11] Patent Number: **Des. 338,086**

Roberts

[45] Date of Patent: **** Aug. 3, 1993**

[54] COMPACT HAVING MIRROR FOR SIGHT IMPAIRED USERS

[76] Inventor: **Paula M. Roberts, 22 Mattapan St., Falmouth, Mass. 02536**

[**] Term: **14 Years**

[21] Appl. No.: **608,900**

[22] Filed: **Nov. 5, 1990**

[52] U.S. Cl. **D28/78**

[58] Field of Search **D28/64.1, 64.3, 78, D28/77; D9/420, 423; 132/293-306, 316; 220/DIG. 26; 206/235, 581, 823**

[56] **References Cited**

U.S. PATENT DOCUMENTS

- D. 199,719 12/1964 Smith D28/64.1
- D. 304,098 10/1989 Desgrippes D28/78

FOREIGN PATENT DOCUMENTS

755911 12/1933 France 132/304

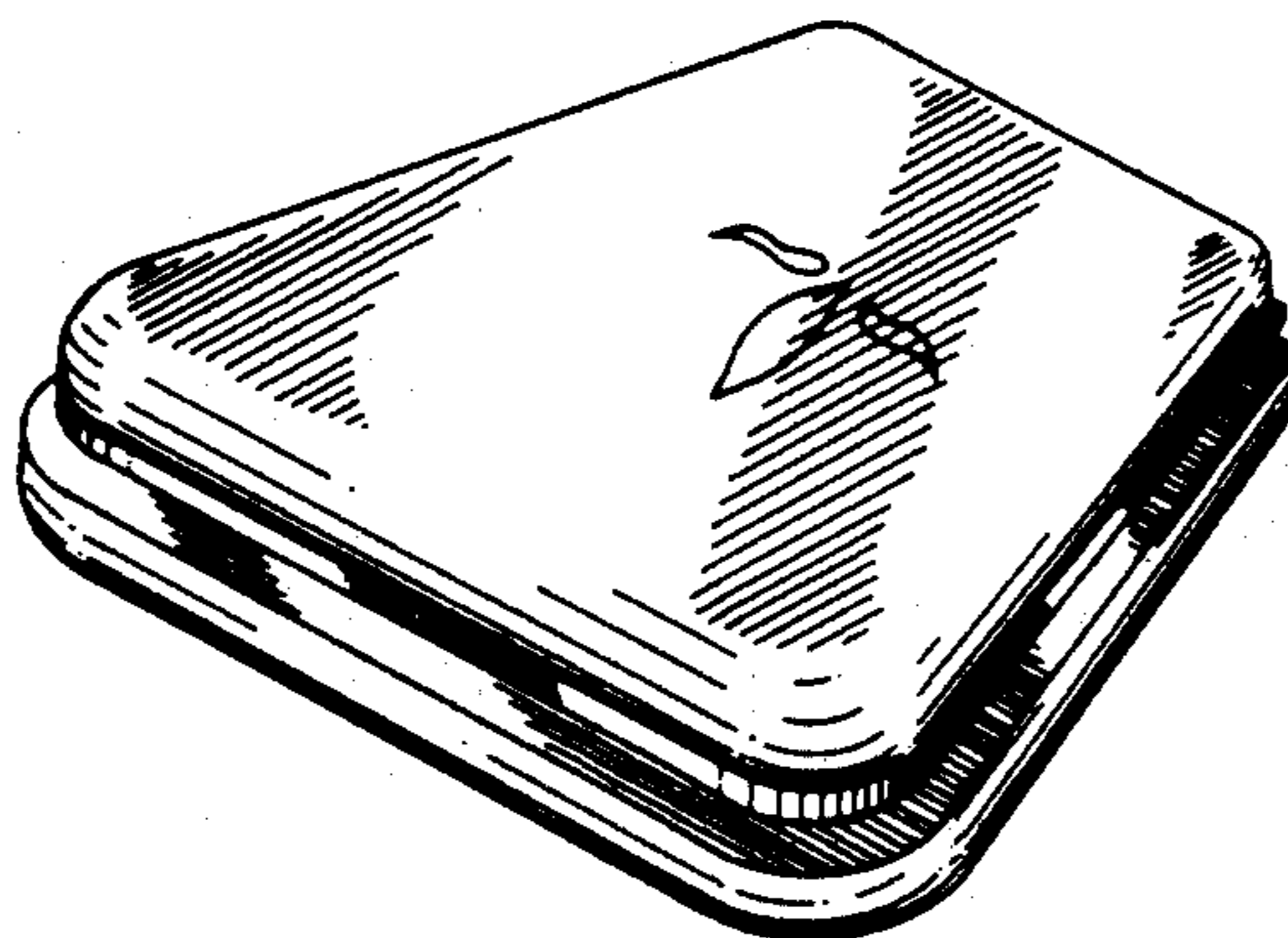
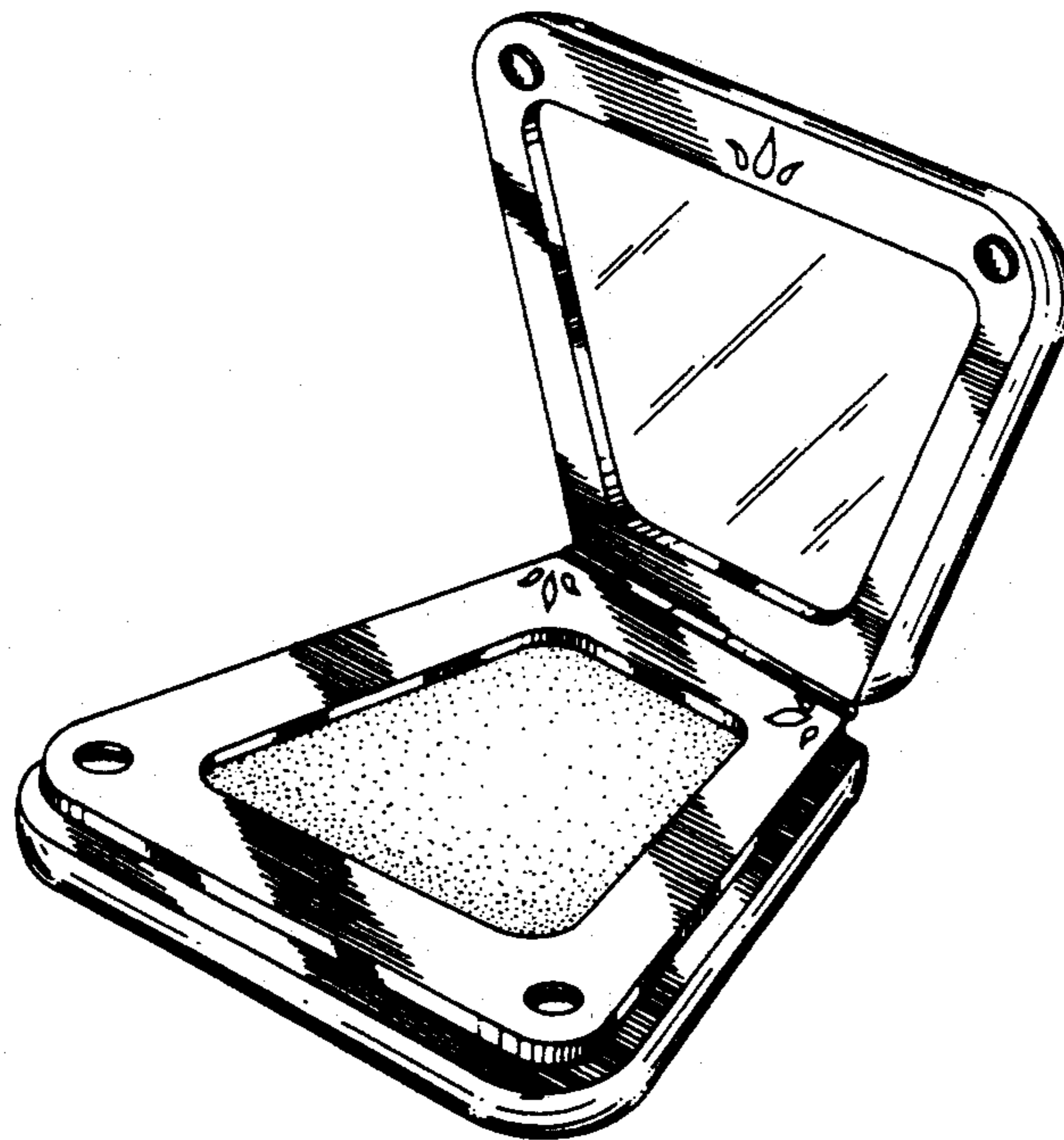
Primary Examiner—Bernard Ansher
Assistant Examiner—C. Tuttle
Attorney, Agent, or Firm—Terry M. Gernstein

[57] **CLAIM**

The ornamental design for a compact having mirror for sight impaired users, as shown and described.

DESCRIPTION

FIG. 1 is a perspective view of a compact having mirror for sight impaired users showing my new design; FIG. 2 is a front elevational view thereof; FIG. 3 is a rear elevational view thereof; FIG. 4 is a side elevational view thereof, the side opposite being a mirror image of the side shown; FIG. 5 is a top plan view thereof; FIG. 6 is a bottom view thereof; and, FIG. 7 is a perspective shown in a closed condition.



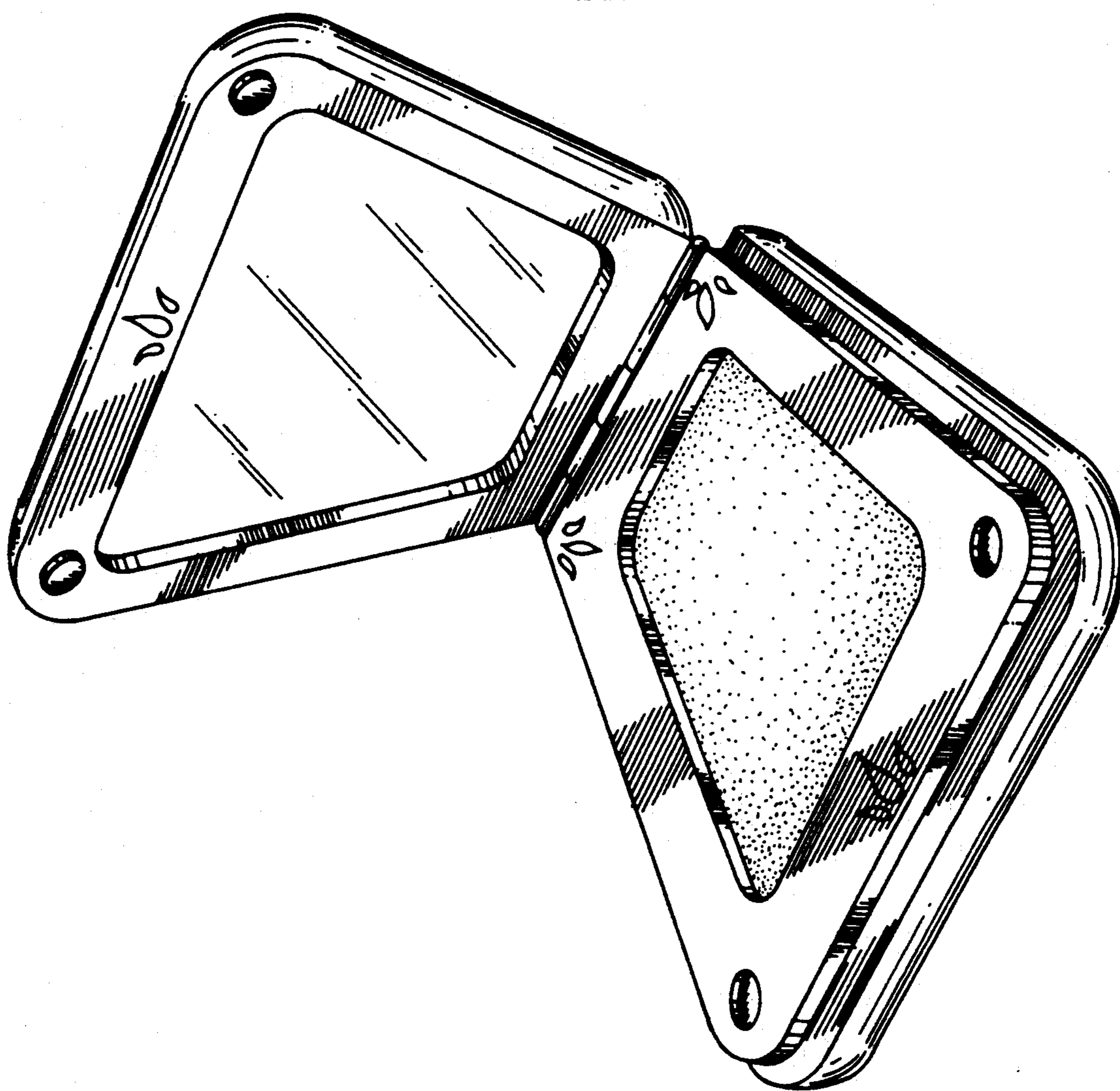


FIG. 1.

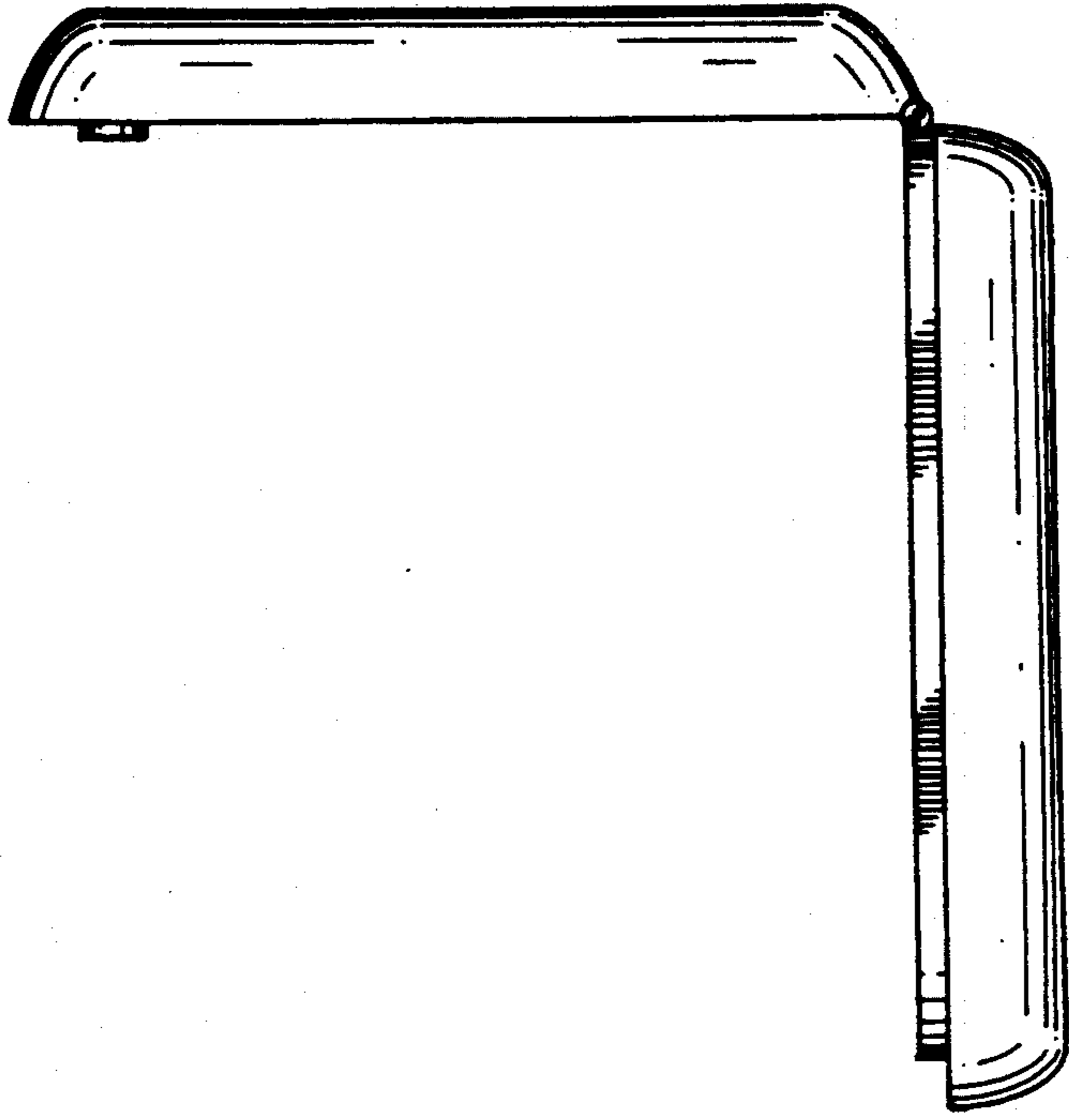


FIG. 4.

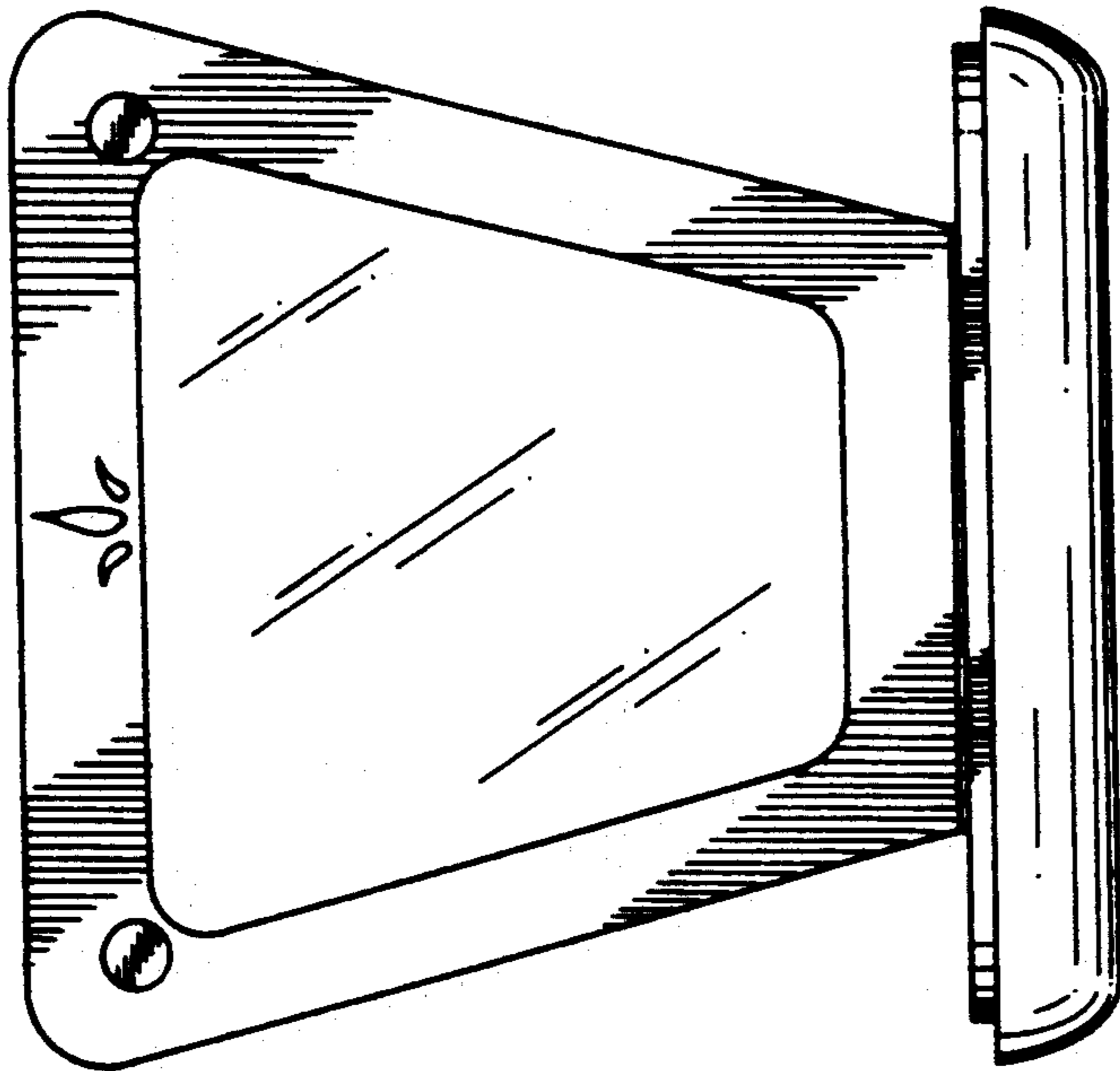


FIG. 2.

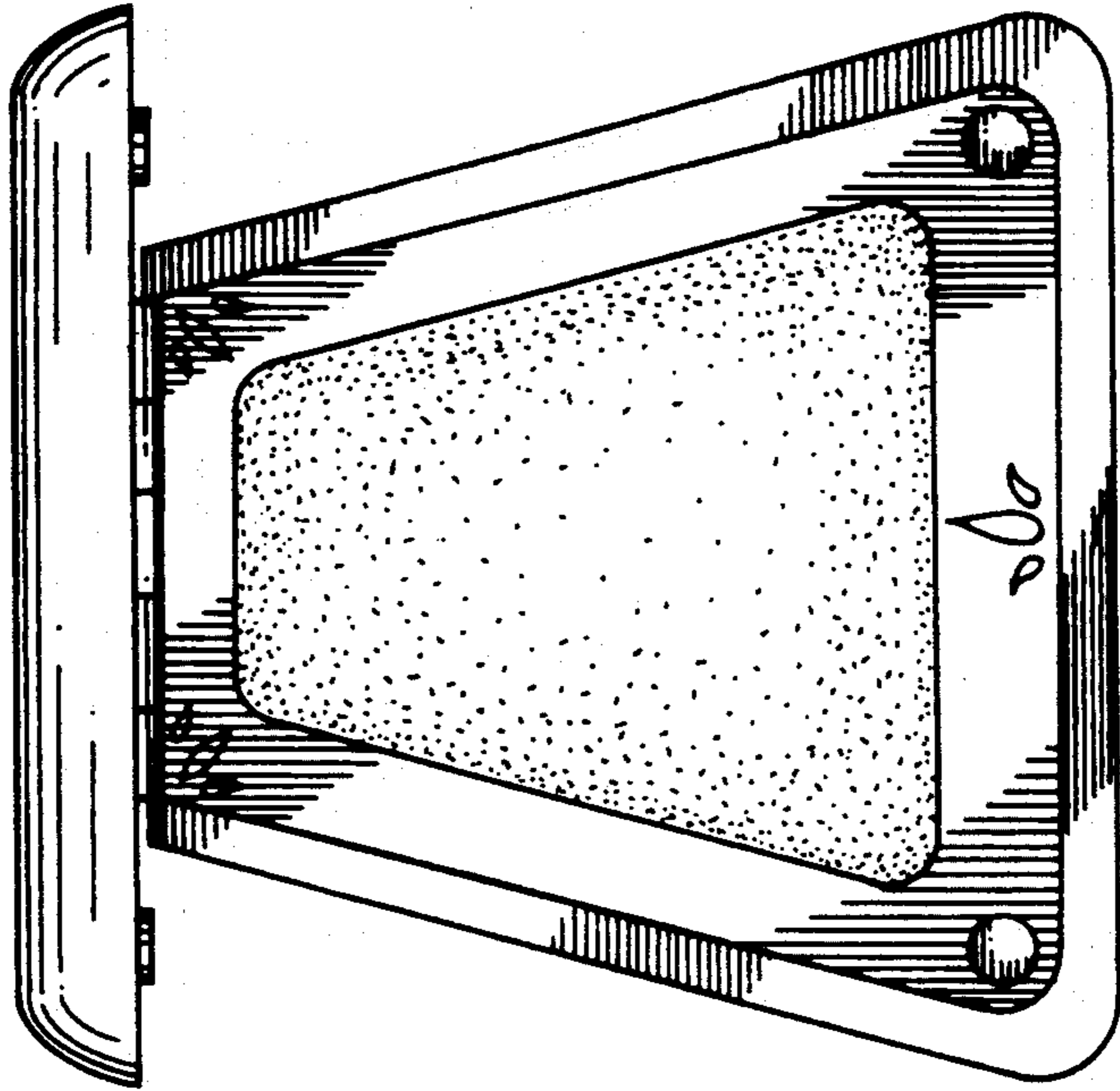


FIG. 5.

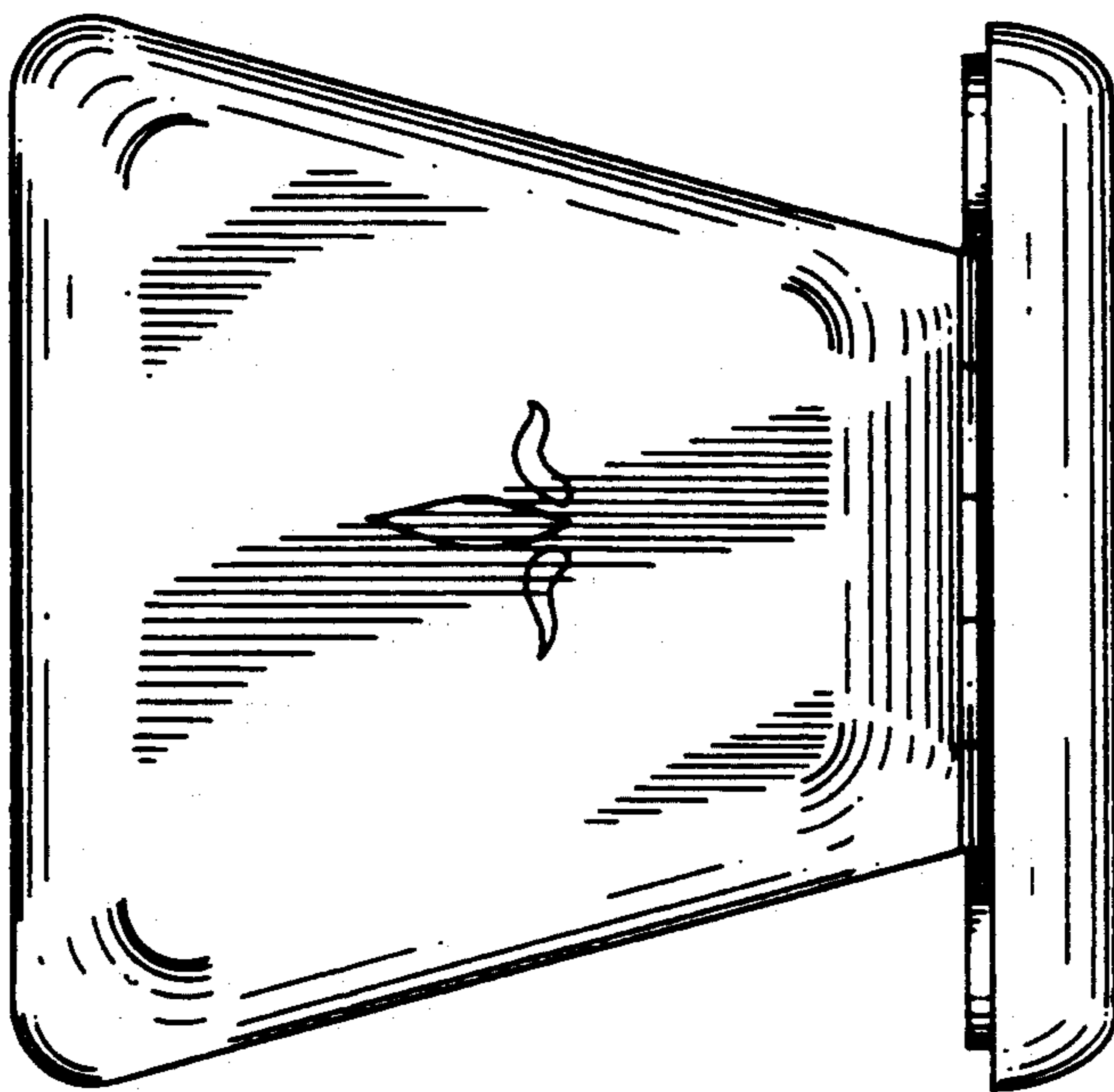


FIG. 3.

FIG. 6.

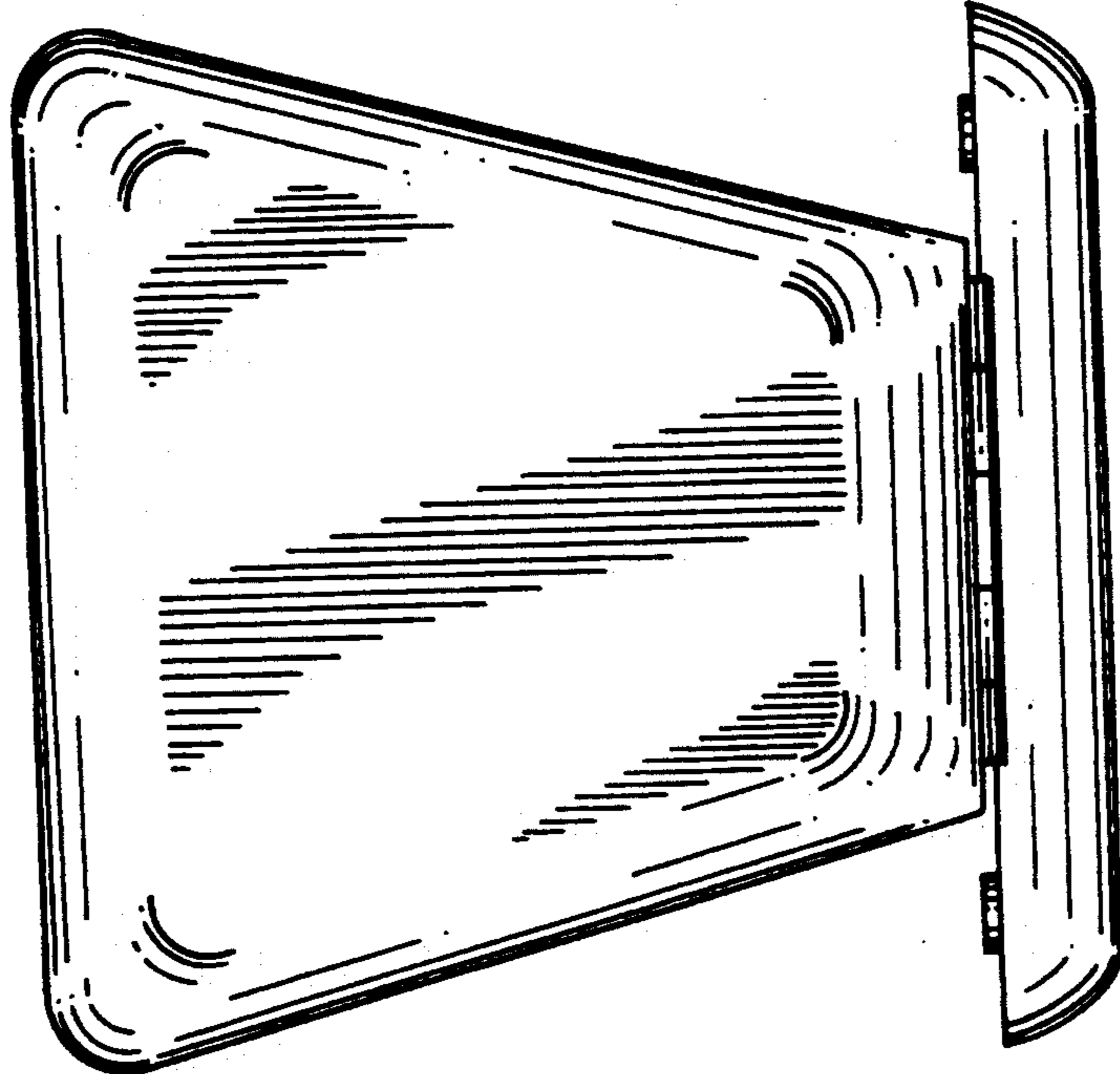


FIG. 7.

