



US00D338084S

# United States Patent [19]

[11] Patent Number: Des. 338,084

Potti

[45] Date of Patent: \*\* Aug. 3, 1993

[54] COMBINED TONGUE CLEANER AND TOOTHPICK

4,911,187 3/1990 Castillo ..... 132/321

[76] Inventor: Dasan Potti, 533 Patriot Dr., Salisbury, Md. 21801

Primary Examiner—Wallace R. Burke  
Assistant Examiner—M. H. Tung  
Attorney, Agent, or Firm—Hodgson Russ Andrews Woods & Goodyear

[\*\*] Term: 14 Years

[57] CLAIM

[21] Appl. No.: 801,101

The ornamental design for a combined tongue cleaner and toothpick, as shown and described.

[22] Filed: Dec. 2, 1991

[52] U.S. Cl. .... D28/64

[58] Field of Search ..... D28/64; 132/323-329; D7/300.2; D4/104, 111-112; D24/149

DESCRIPTION

[56] References Cited

U.S. PATENT DOCUMENTS

- D. 221,036 6/1971 Potti .
- D. 276,088 10/1984 Fong ..... D28/64
- D. 309,040 7/1990 Poon ..... D28/64
- D. 376,617 4/1991 Cheung ..... D28/64
- 2,574,654 11/1951 Moore ..... D24/149 X
- 3,101,727 8/1963 Wiseman ..... D28/64 X

FIG. 1 is a top plan view thereof;  
FIG. 2 is a bottom view thereof;  
FIG. 3 is a side view thereof;  
FIG. 4 is the other side view thereof;  
FIG. 5 is an end view thereof from the toothpick end;  
FIG. 6 is an end view thereof from the tongue cleaner end; and,  
FIGS. 7, 8, 9, and 10 are sectional views thereof taken along lines 7-7, 8-8, 9-9, and 10-10 respectively of FIG. 1.

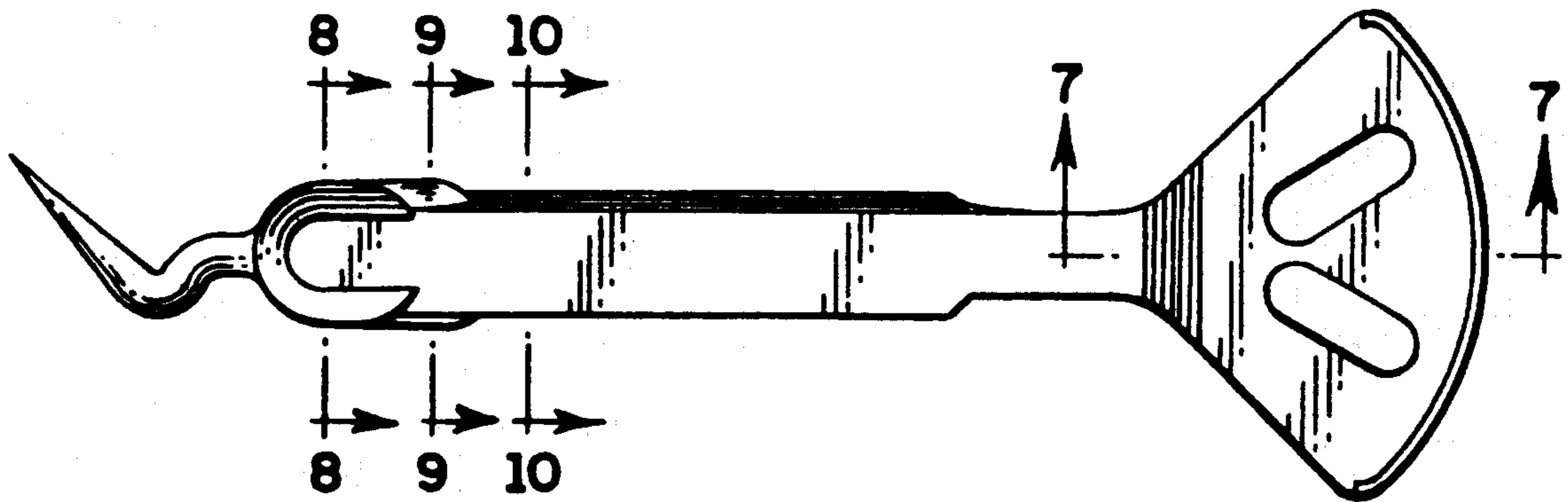


Fig. 1.

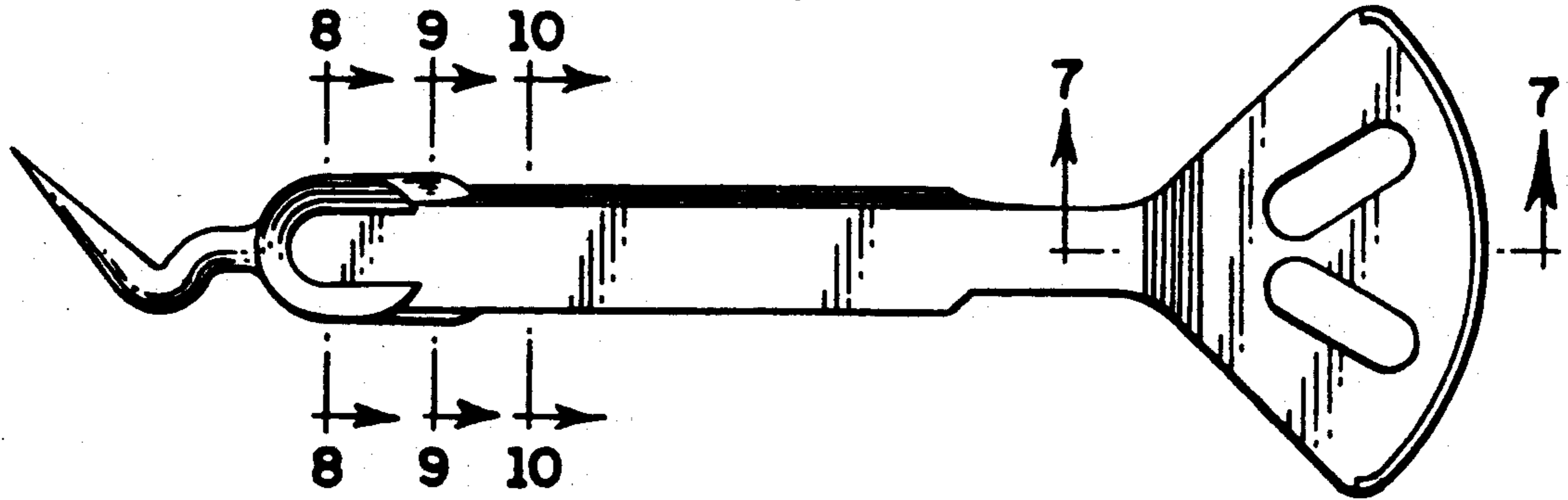


Fig. 7.



Fig. 2.

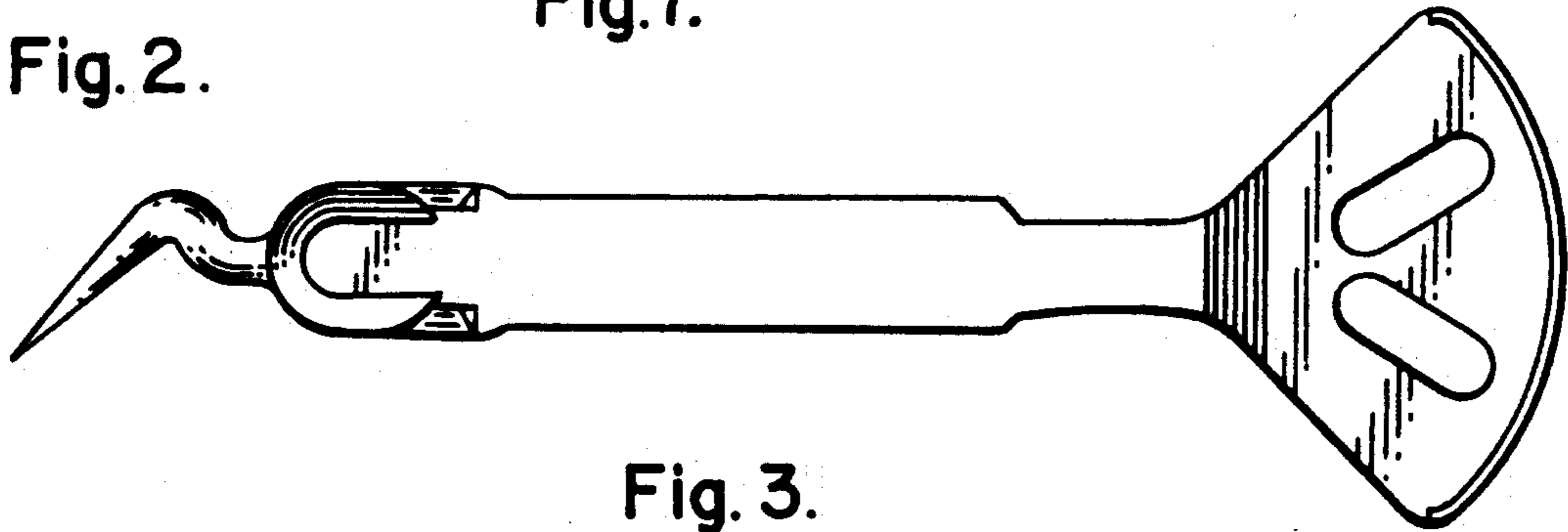


Fig. 3.

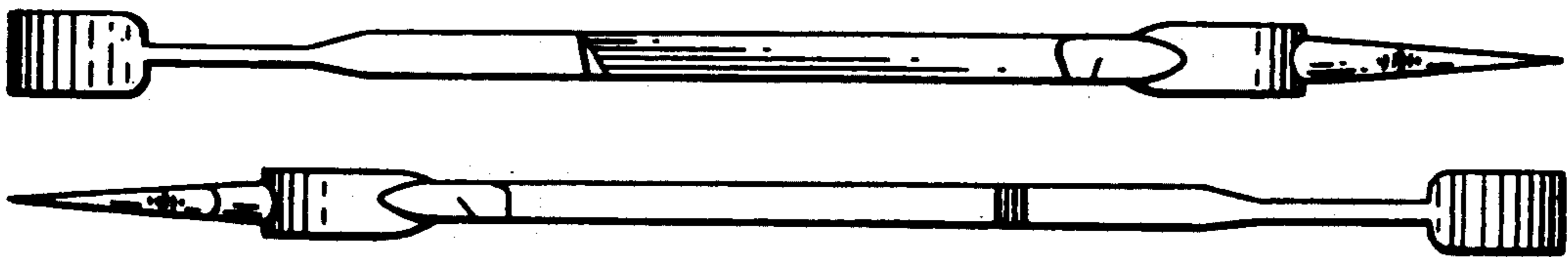


Fig. 4.



Fig. 5.



Fig. 6.

Fig. 9.

Fig. 8.



Fig. 10.

