



US00D338080S

# United States Patent [19] Elazari

[11] Patent Number: **Des. 338,080**  
[45] Date of Patent: **\*\* Aug. 3, 1993**

[54] **SOLAR POWERED OUTDOOR LAMP**

[75] Inventor: **Ami Elazari, Tel Aviv, Israel**

[73] Assignee: **Amitec Information Industries Ltd.,  
Tel Aviv, Israel**

[\*\*] Term: **14 Years**

[21] Appl. No.: **764,422**

[22] Filed: **Sep. 23, 1991**

[30] **Foreign Application Priority Data**

Mar. 21, 1991 [IL] Israel ..... 17595  
[52] U.S. Cl. .... **D26/68**  
[58] Field of Search ..... **D26/67-71,  
D26/104, 105, 106, 110; 362/153.1, 183, 431,  
362, 363, 367, 812**

[56] **References Cited**

**U.S. PATENT DOCUMENTS**

D. 309,786 8/1990 Chien ..... D26/67  
4,841,416 6/1989 Doss ..... 362/183  
5,134,550 7/1992 Young ..... 362/812 X

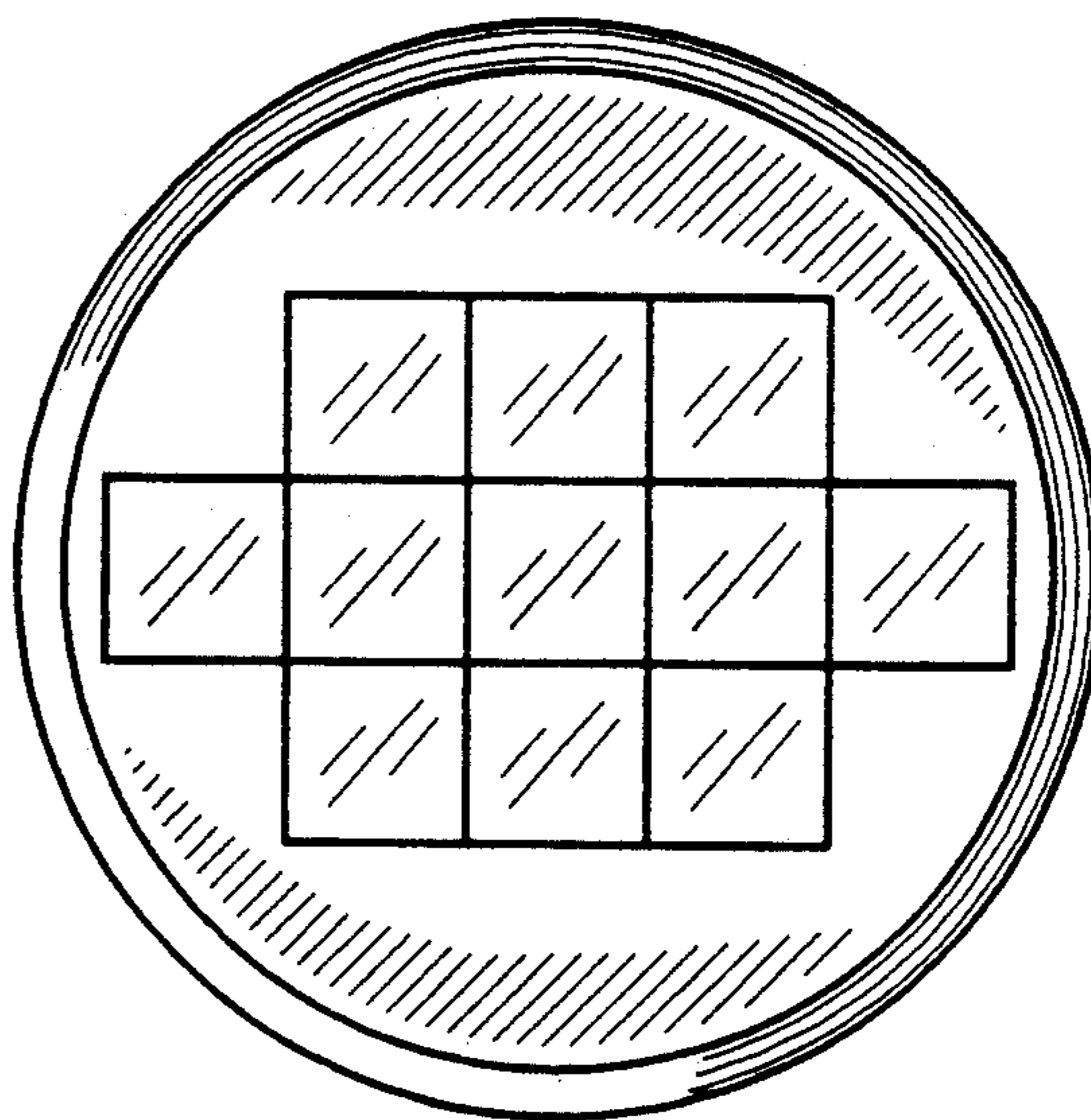
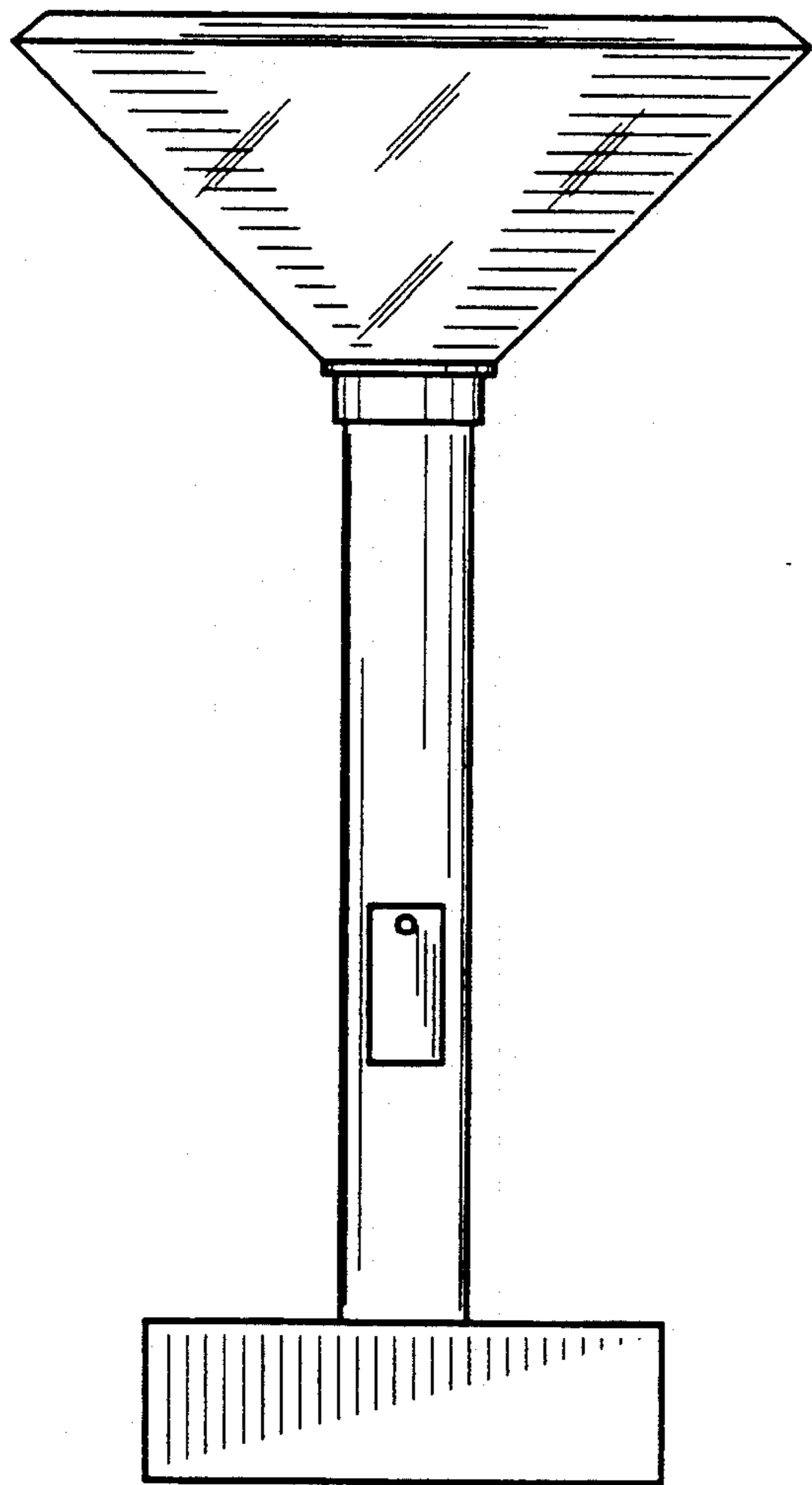
*Primary Examiner*—Susan J. Lucas  
*Attorney, Agent, or Firm*—Ladas & Parry

[57] **CLAIM**

The ornamental design for solar powered outdoor lamp, as shown.

**DESCRIPTION**

FIG. 1 is a front elevational view of a solar powered outdoor lamp showing my new design;  
FIG. 2 is a rear elevational view thereof;  
FIG. 3 is a right side elevational view thereof;  
FIG. 4 is a left side elevational view thereof;  
FIG. 5 is a top plan view thereof; and,  
FIG. 6 is a bottom plan view thereof.



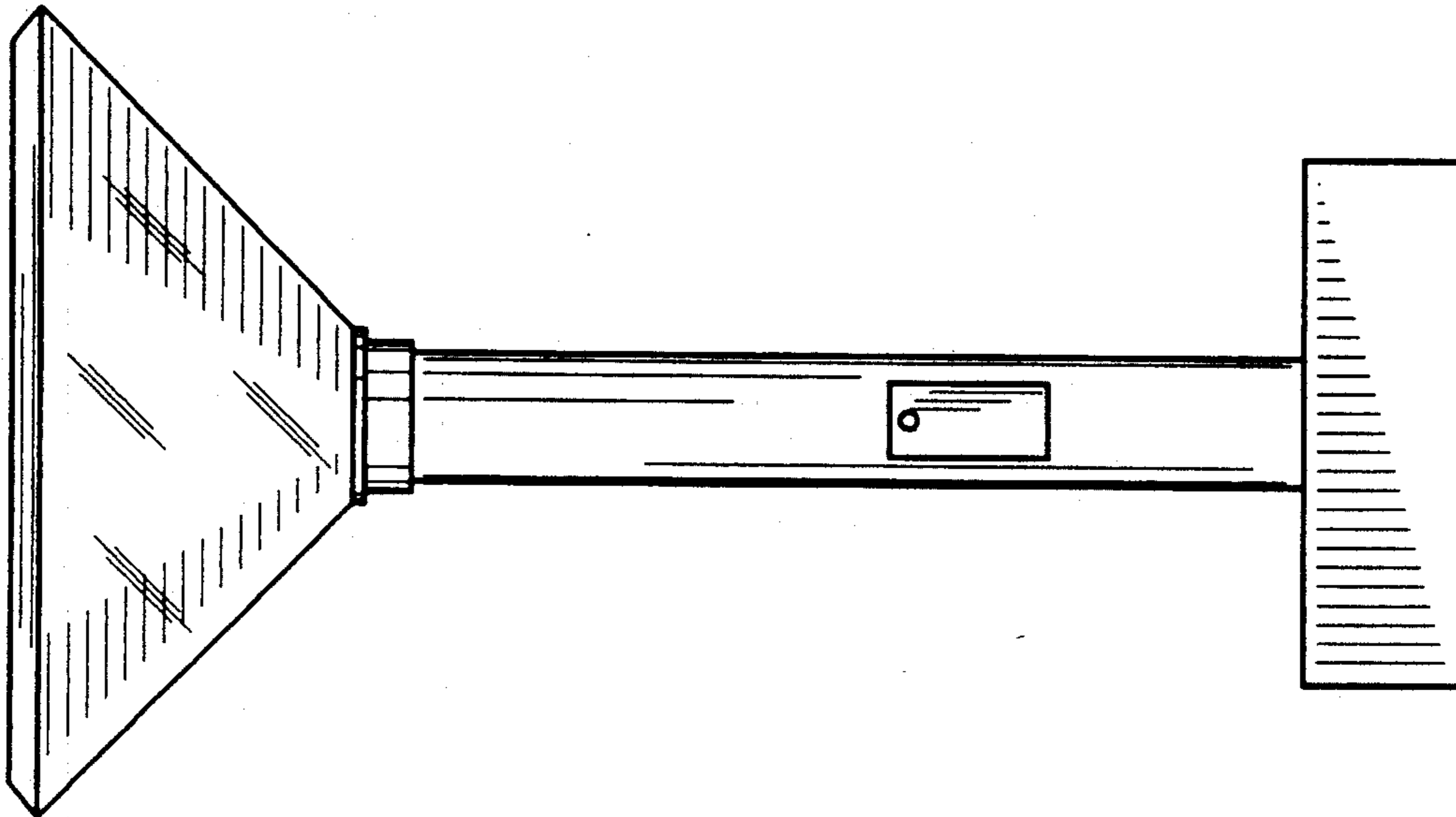


FIG. 1

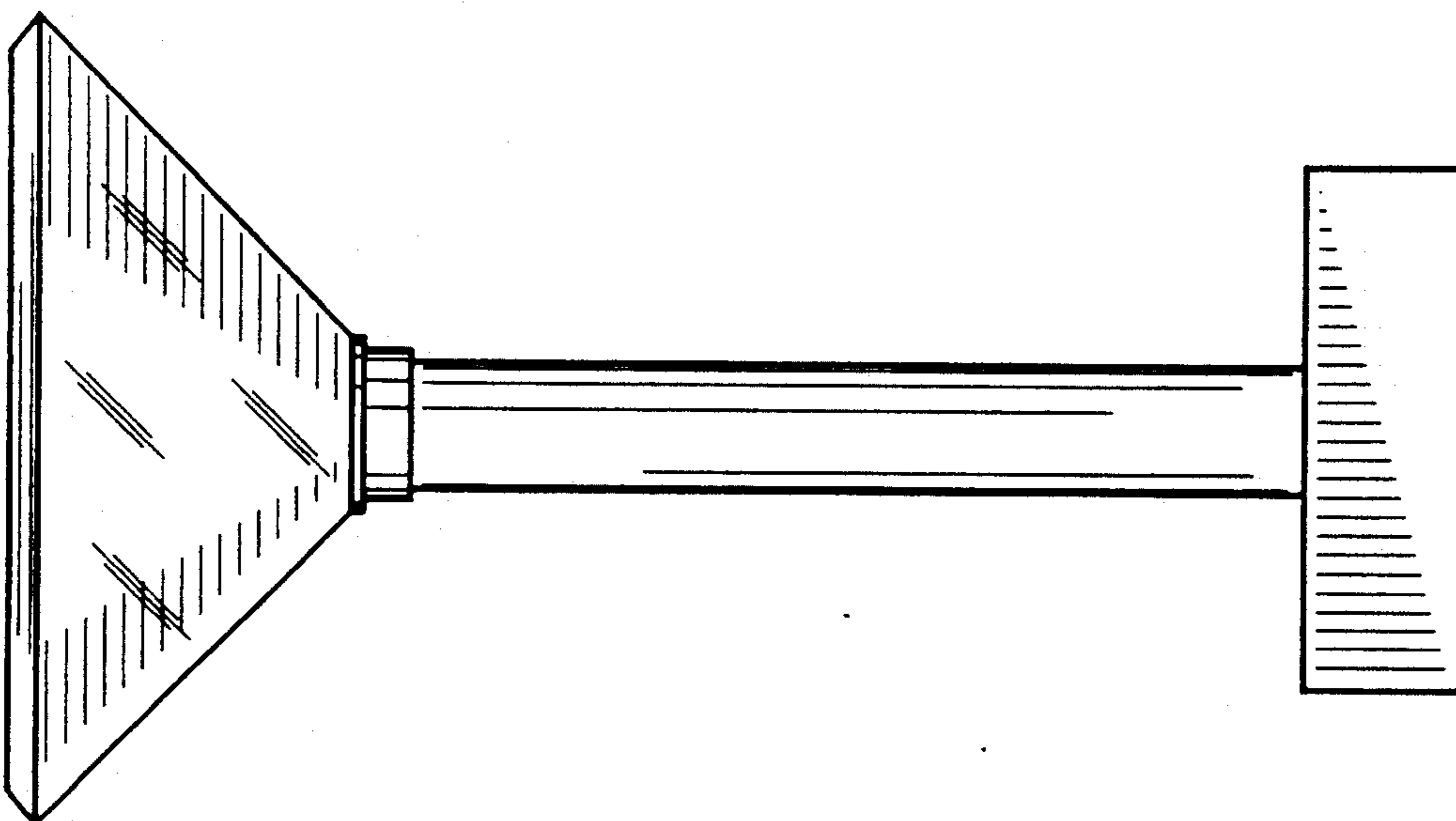


FIG. 2

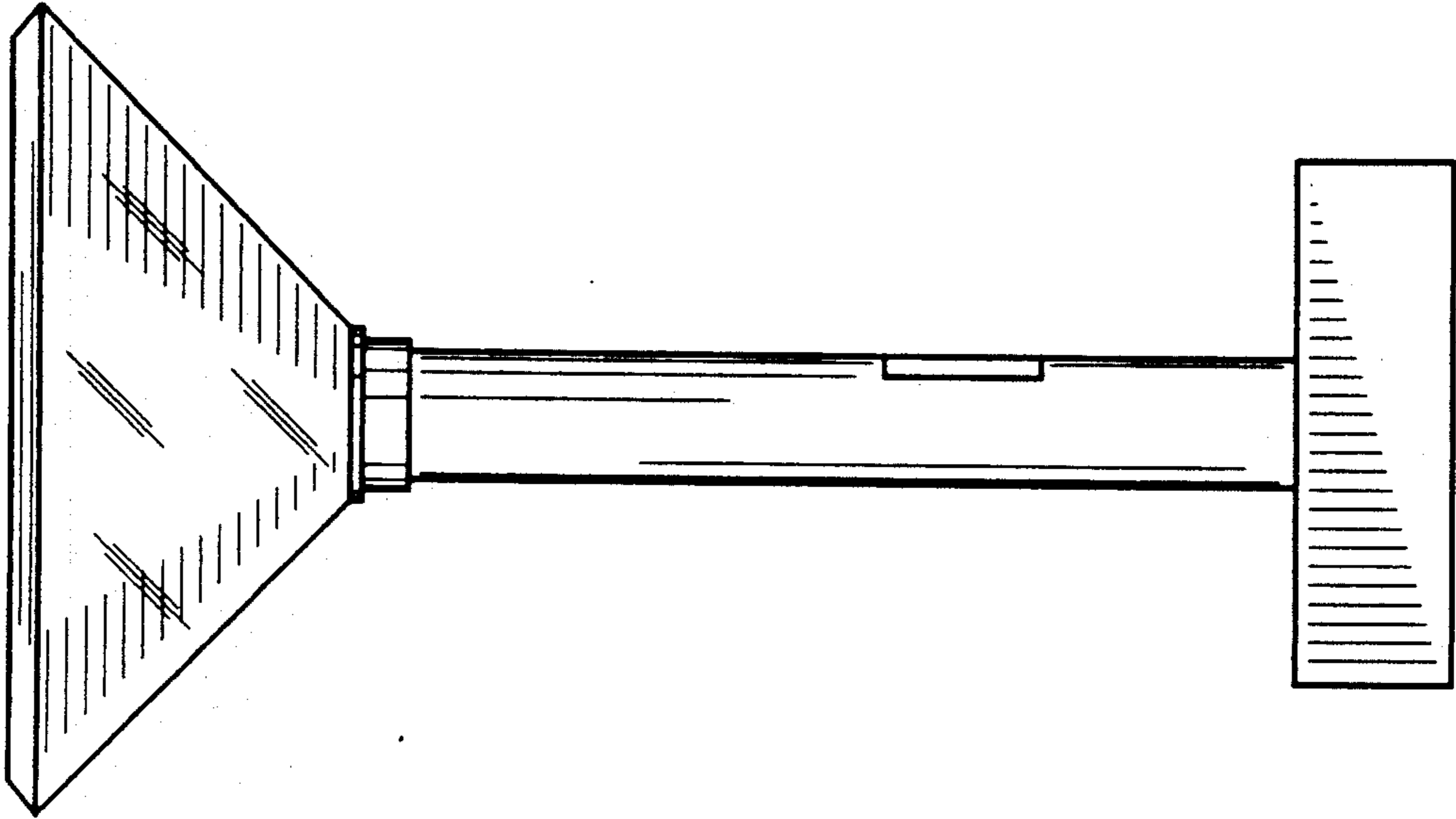


FIG. 4

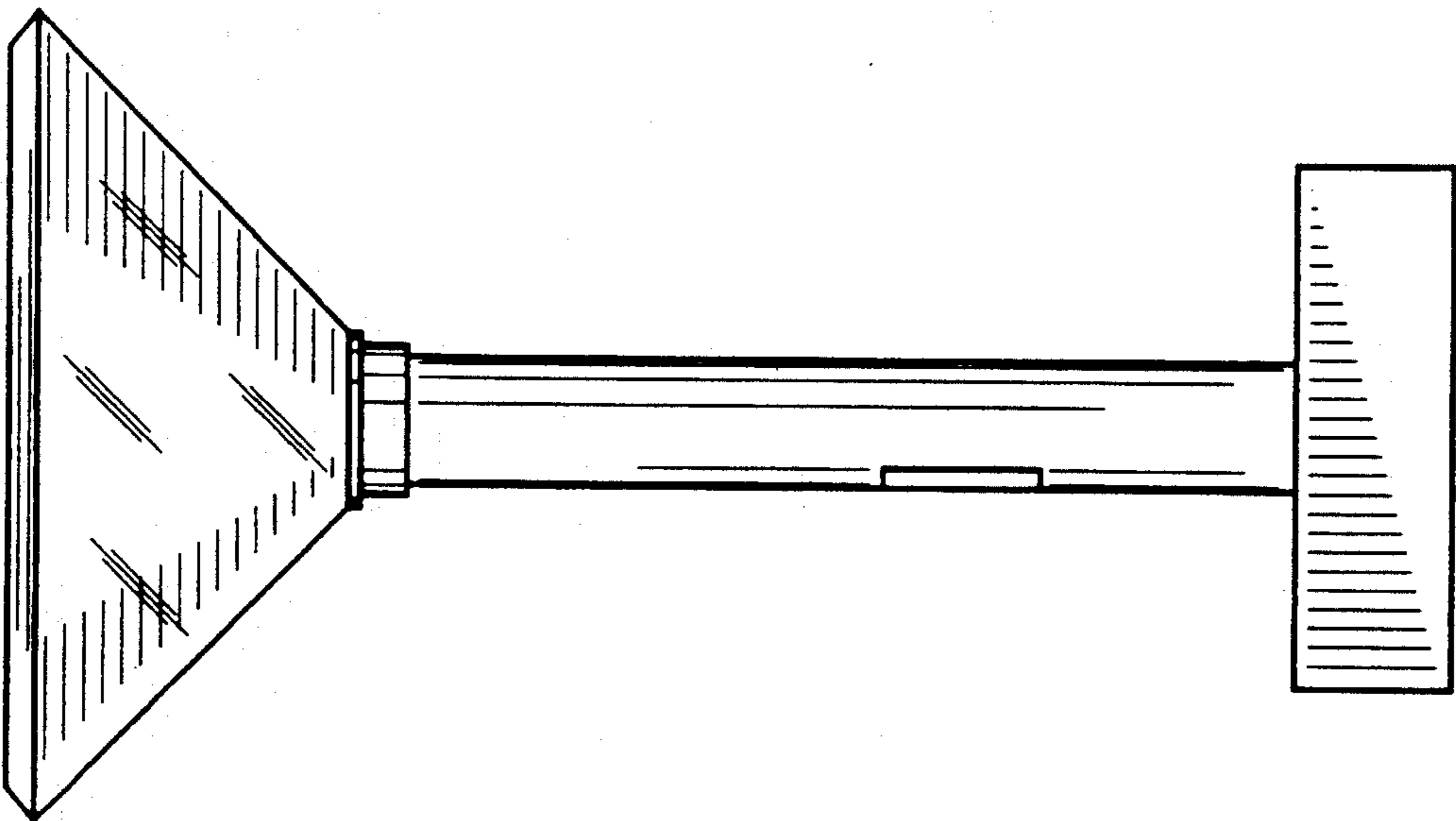


FIG. 3

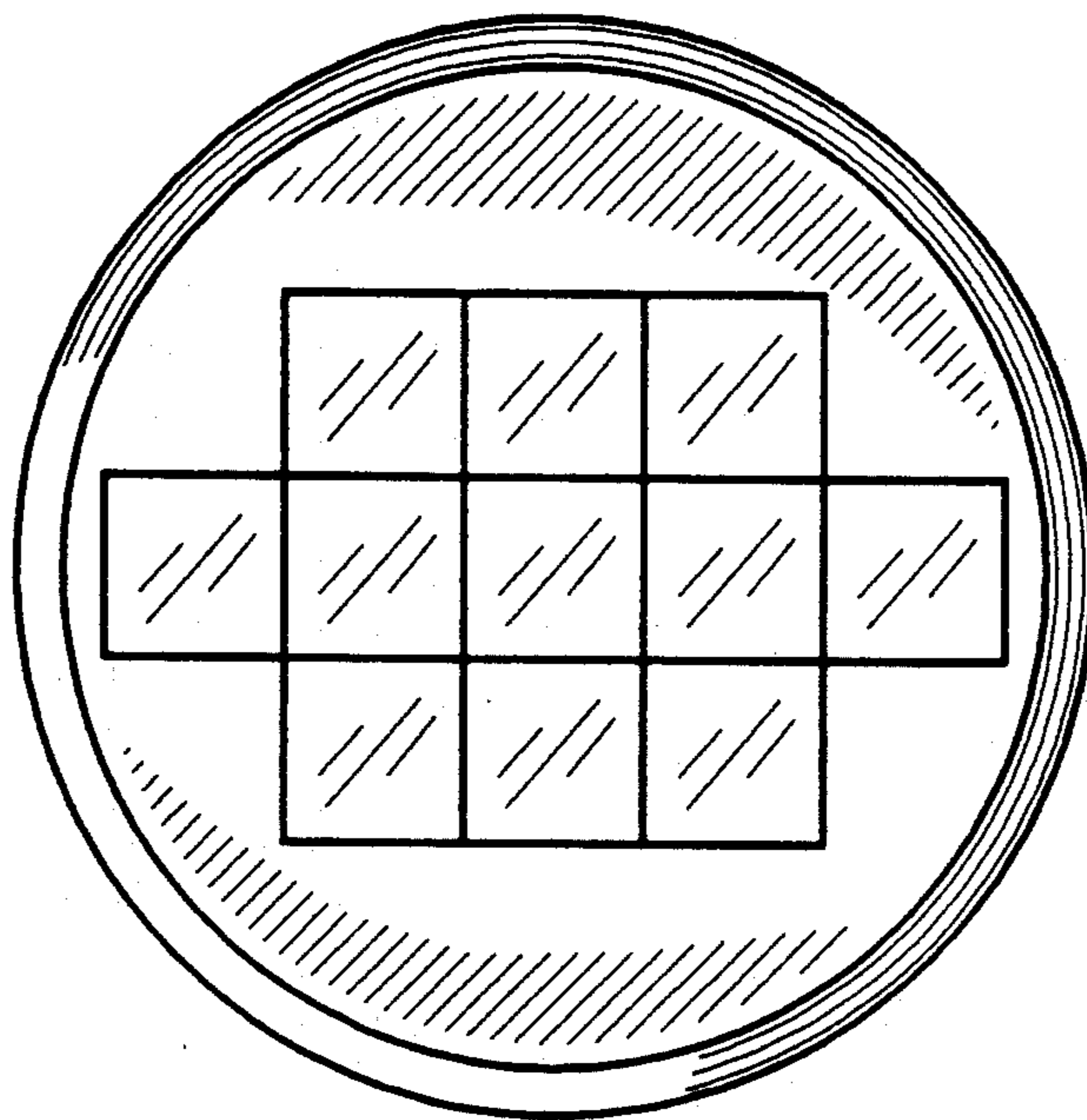


FIG. 5

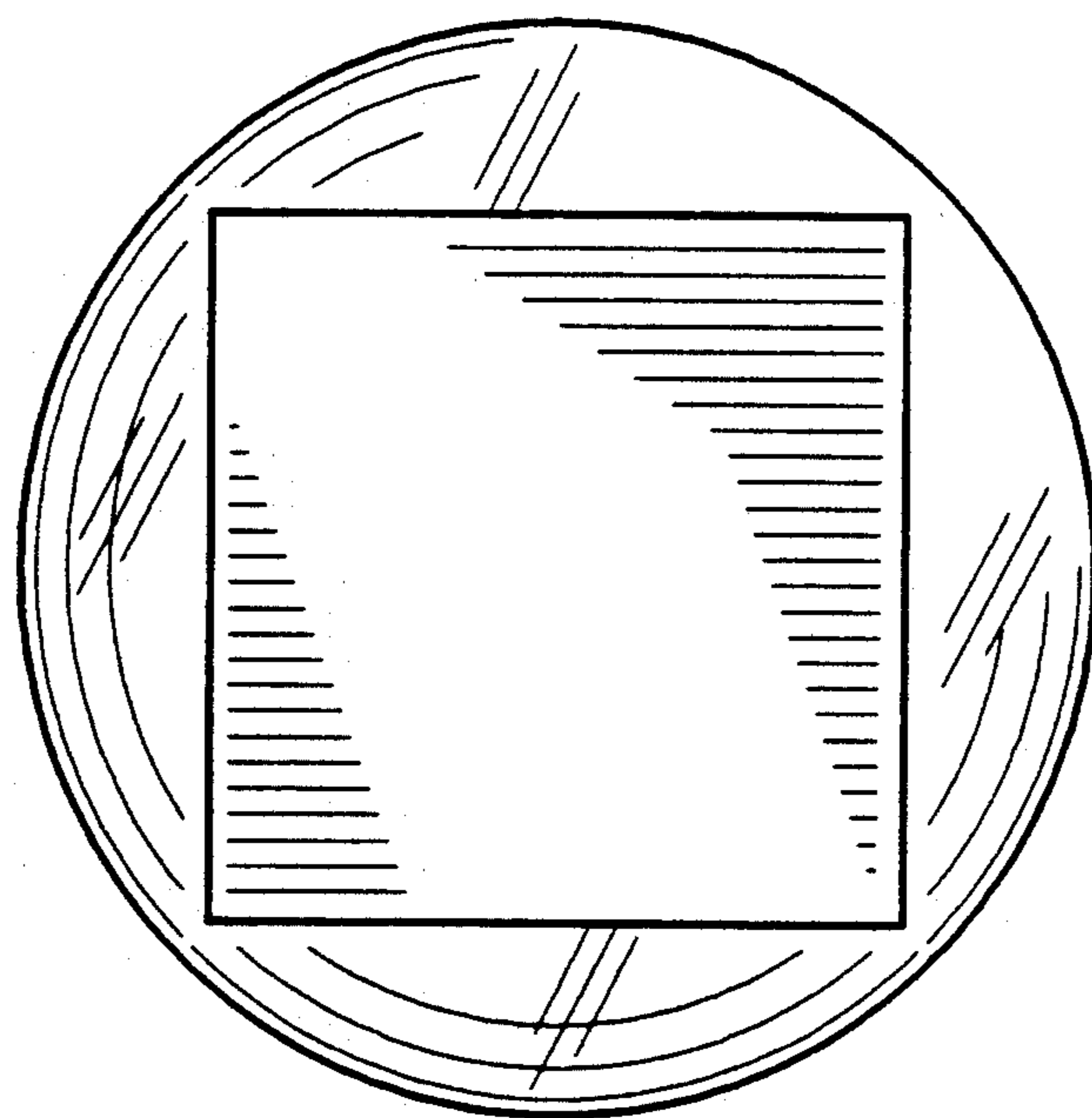


FIG. 6