



US00D338079S

United States Patent [19]

[11] Patent Number: **Des. 338,079**

Moss et al.

[45] Date of Patent: **** Aug. 3, 1993**

[54] WINDOW COMPONENT EXTRUSION

[56] References Cited

[75] Inventors: **Jeanne A. Moss, Windom; Dennis C. Westphal, Galva, both of Kans.; Jeffrey B. Hersh, Wayne, Pa.**

U.S. PATENT DOCUMENTS

- D. 283,252 4/1986 Bancroft D25/124
- D. 308,104 5/1990 Hardy .
- D. 308,106 5/1990 Hardy D25/124
- 4,676,026 6/1987 Schreiner .

[73] Assignee: **CertainTeed Corporation, Valley Forge, Pa.**

Primary Examiner—Stella Reid
Assistant Examiner—Doris Clark
Attorney, Agent, or Firm—Paul & Paul

[**] Term: **14 Years**

[57] CLAIM

[21] Appl. No.: **814,293**

The ornamental design for a window component extrusion, as shown and described.

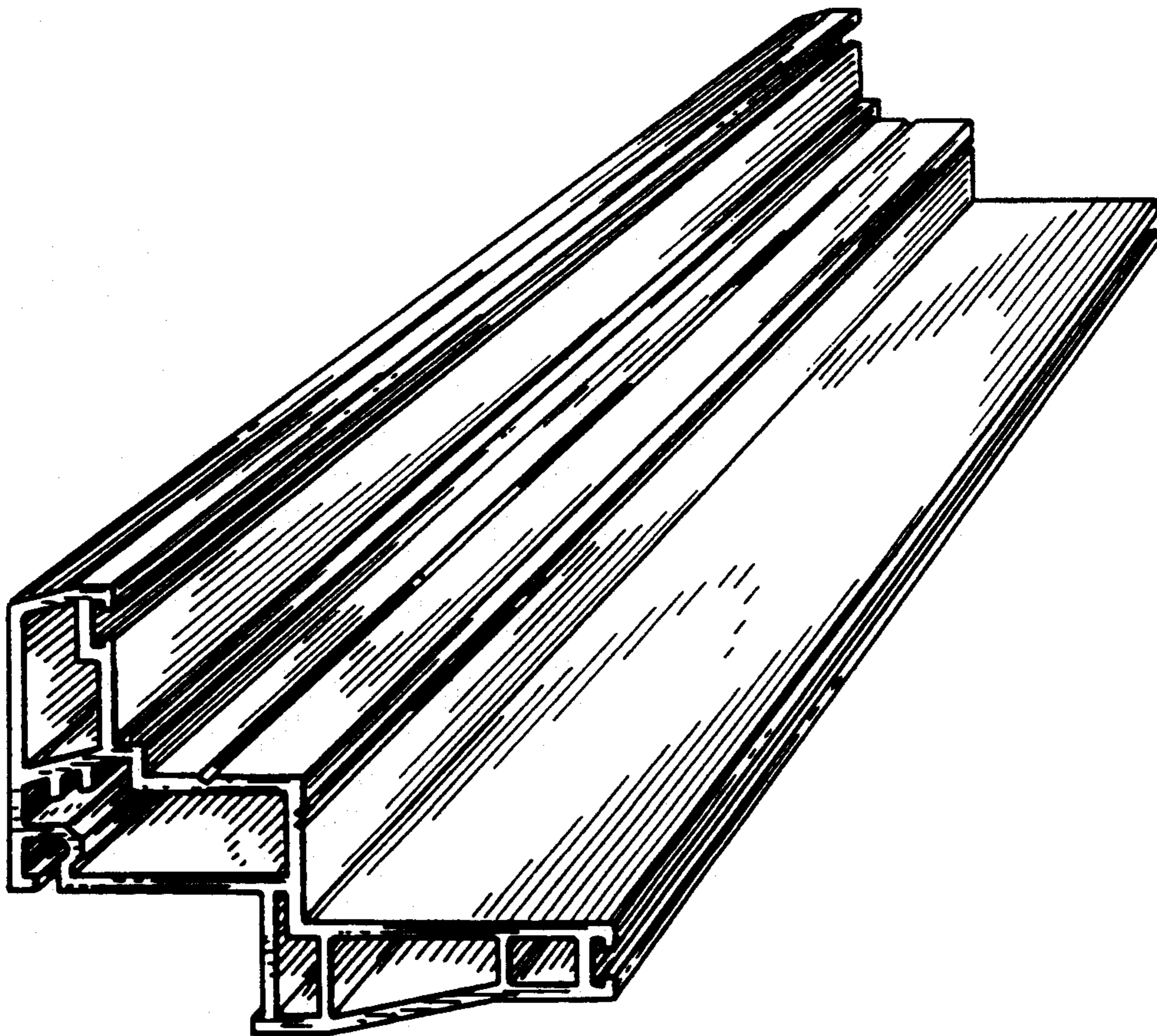
[22] Filed: **Dec. 26, 1991**

DESCRIPTION

[52] U.S. Cl. **D25/124**

The FIGURE is a front perspective view of a window component extrusion showing our new design, the rear perspective view being a mirror image thereof.

[58] Field of Search **D25/122-125, D25/52; 52/202; 49/501, 504, DIG. 2**



U.S. Patent

Aug. 3, 1993

Des. 338,079

