



US00D338078S

United States Patent [19]

[11] Patent Number: **Des. 338,078**

Moss et al.

[45] Date of Patent: **** Aug. 3, 1993**

[54] **WINDOW COMPONENT EXTRUSION**

[75] Inventors: **Jeanne A. Moss, Windom; Dennis C. Westphal, Galva, both of Kans.; Jeffrey B. Hersh, Wayne, Pa.**

[73] Assignee: **CertainTeed Corporation, Valley Forge, Pa.**

[**] Term: **14 Years**

[21] Appl. No.: **814,291**

[22] Filed: **Dec. 26, 1991**

[52] U.S. Cl. **D25/124**

[58] Field of Search **D25/122-125, D25/52; 52/202; 49/501, 504, DIG. 2**

[56] **References Cited**

U.S. PATENT DOCUMENTS

D. 251,447 3/1979 Bancroft et al. .

D. 300,370	3/1989	Reisinger et al. .	
D. 307,484	4/1990	Westphal et al. .	
D. 307,486	4/1990	Westphal et al. .	
D. 307,802	5/1990	Westphal et al.	D25/124
D. 307,943	5/1990	Westphal et al. .	
D. 314,241	1/1991	Slocomb, Jr.	D25/124
D. 316,453	4/1991	Westphal et al. .	
4,328,644	5/1982	Scott et al. .	

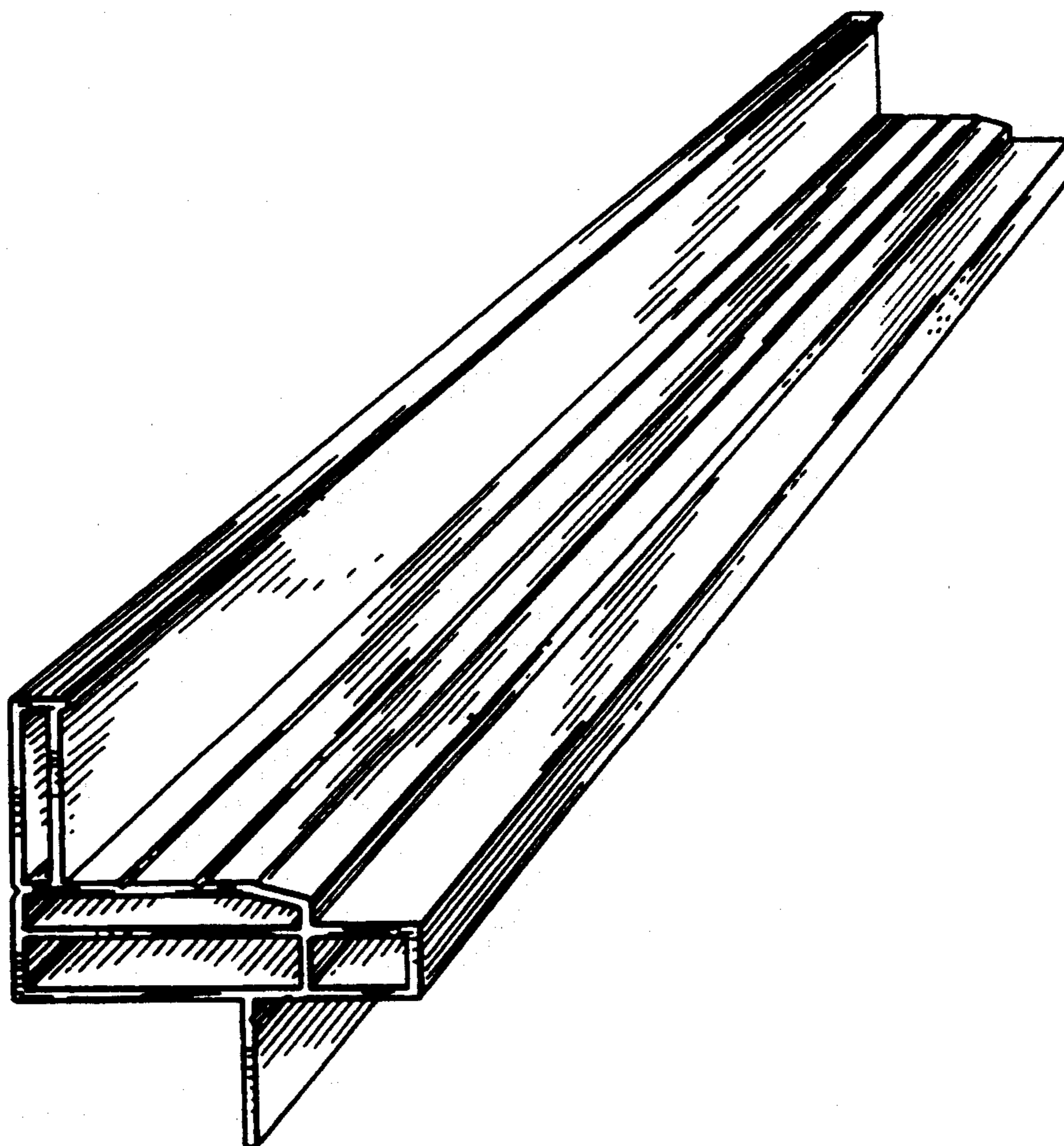
Primary Examiner—Stella Reid
Assistant Examiner—Doris Clark
Attorney, Agent, or Firm—Paul & Paul

[57] **CLAIM**

The ornamental design for a window component extrusion, as shown and described.

DESCRIPTION

The FIGURE is a front perspective view of a window component extrusion showing our new design, the rear perspective view being a mirror image thereof.



U.S. Patent

Aug. 3, 1993

Des. 338,078

