



US00D338073S

United States Patent [19]

[11] Patent Number: **Des. 338,073**

Wall

[45] Date of Patent: **** Aug. 3, 1993**

[54] SHELTER

[76] Inventor: **Hans Wall, St. Barbara Strasse 52, D-7517 Waldbronn, Fed. Rep. of Germany**

[**] Term: **14 Years**

[21] Appl. No.: **327,507**

[22] Filed: **Mar. 22, 1989**

[30] **Foreign Application Priority Data**

Sep. 22, 1988 [XH] Hague DM/011774

[52] U.S. Cl. **D25/56; D25/1**

[58] Field of Search **D25/1, 16, 18, 56, 57, D25/30; 52/63, 90, 28, 36, 143, 38, 86, 89, 18, 79.1**

[56] **References Cited**

U.S. PATENT DOCUMENTS

D. 196,716 10/1963 Hollaender D25/16

D. 222,989 2/1972 Cotten D25/16

D. 252,215 6/1979 Leuthesser D25/16

4,018,016 4/1977 Zale 52/36

4,633,624 1/1987 Targetti 52/28

Primary Examiner—A. Hugo Word
Assistant Examiner—Doris V. Coles

Attorney, Agent, or Firm—Antonelli, Terry, Stout & Kraus

[57] **CLAIM**

The ornamental design for a shelter, as shown and described.

DESCRIPTION

FIG. 1 is a perspective view of a shelter, showing my new design;

FIG. 2 is a top plan view thereof;

FIG. 3 is a front elevational view thereof;

FIG. 4 is a rear elevational view thereof;

FIG. 5 is a left side elevational view thereof;

FIG. 6 is a right side elevational view thereof;

FIG. 7 is a perspective view of a second embodiment;

FIG. 8 top plan view thereof;

FIG. 9 is a front elevational view thereof;

FIG. 10 is a rear elevational view thereof;

FIG. 11 is a left side elevational view thereof;

FIG. 12 is a right side elevational view thereof;

FIG. 13 is a perspective view of a third embodiment;

FIG. 14 is a top plan view thereof;

FIG. 15 is a front elevational view thereof;

FIG. 16 is a rear elevational view thereof;

FIG. 17 is a left side elevational view thereof; and,

FIG. 18 is a right side elevational view thereof.

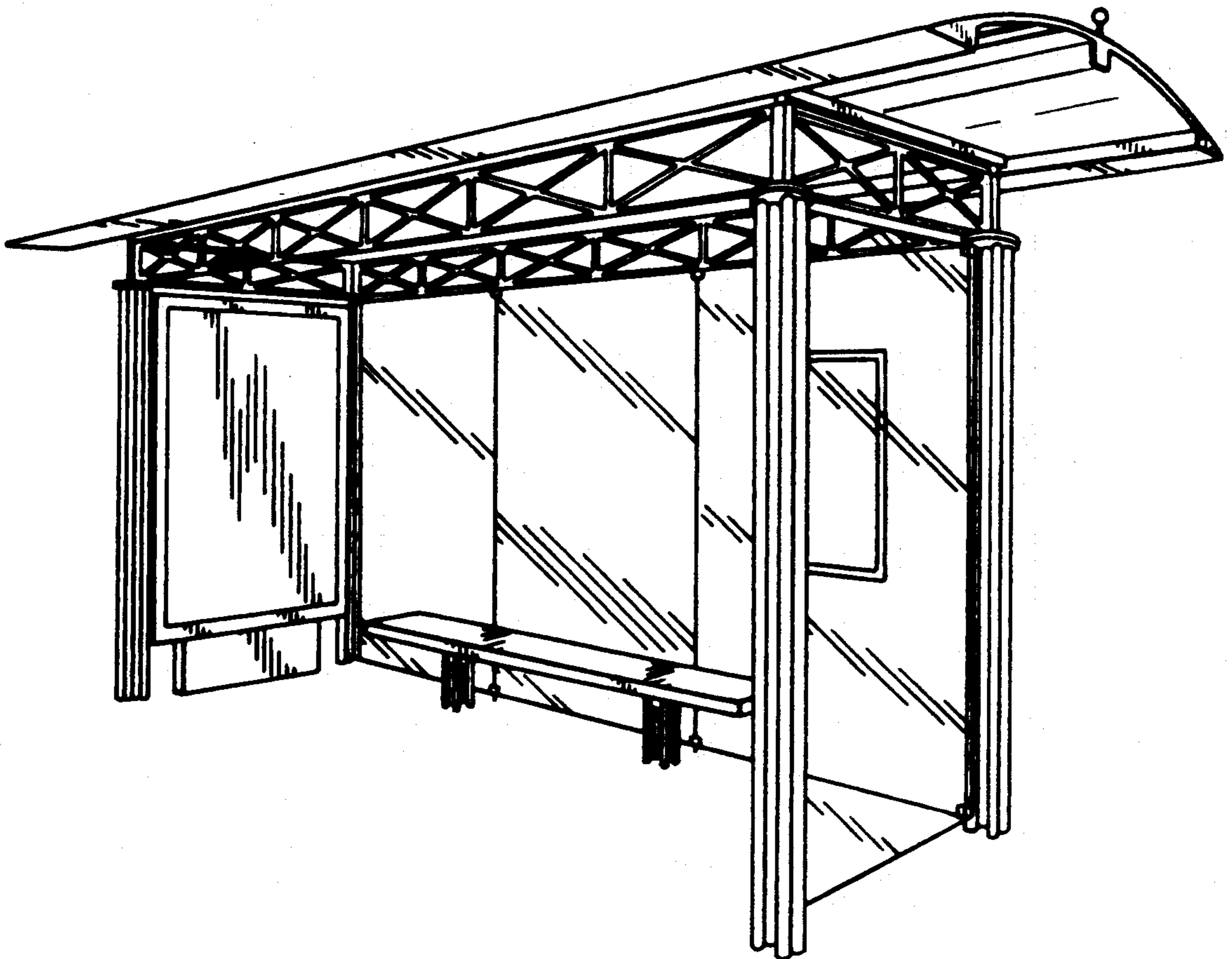


FIG. 1

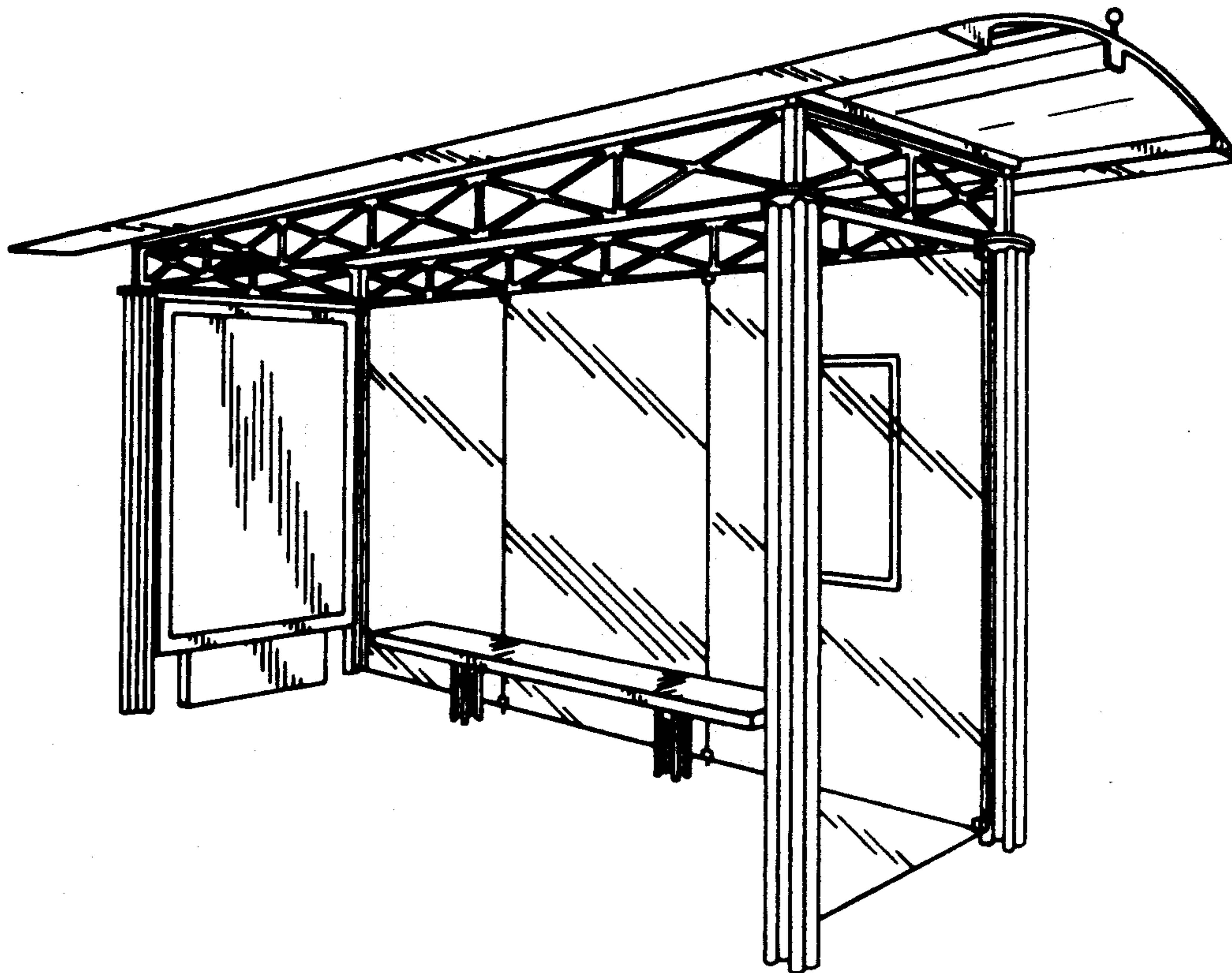


FIG. 2

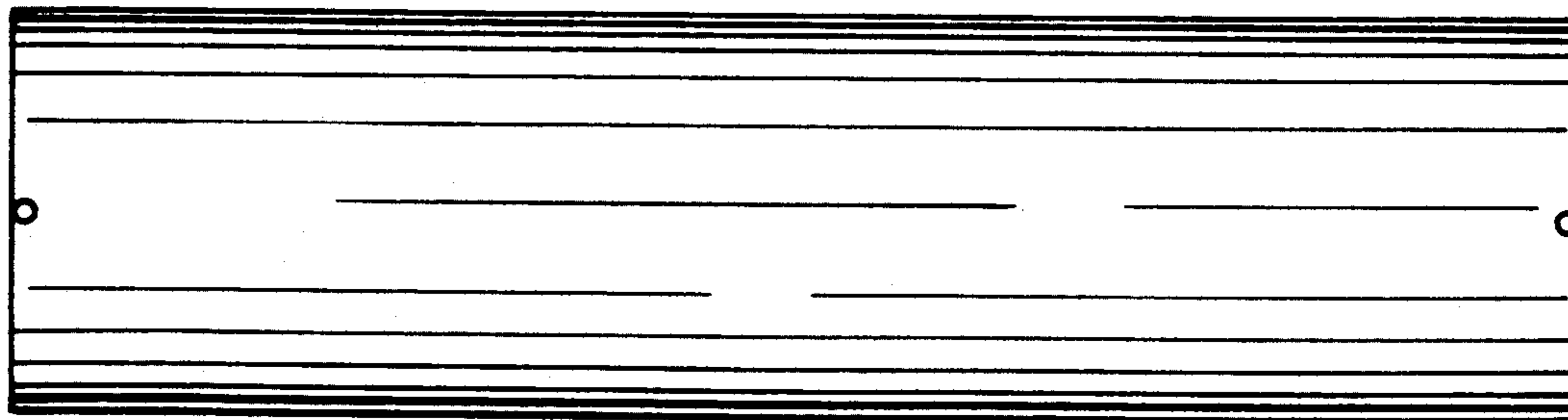


FIG. 3

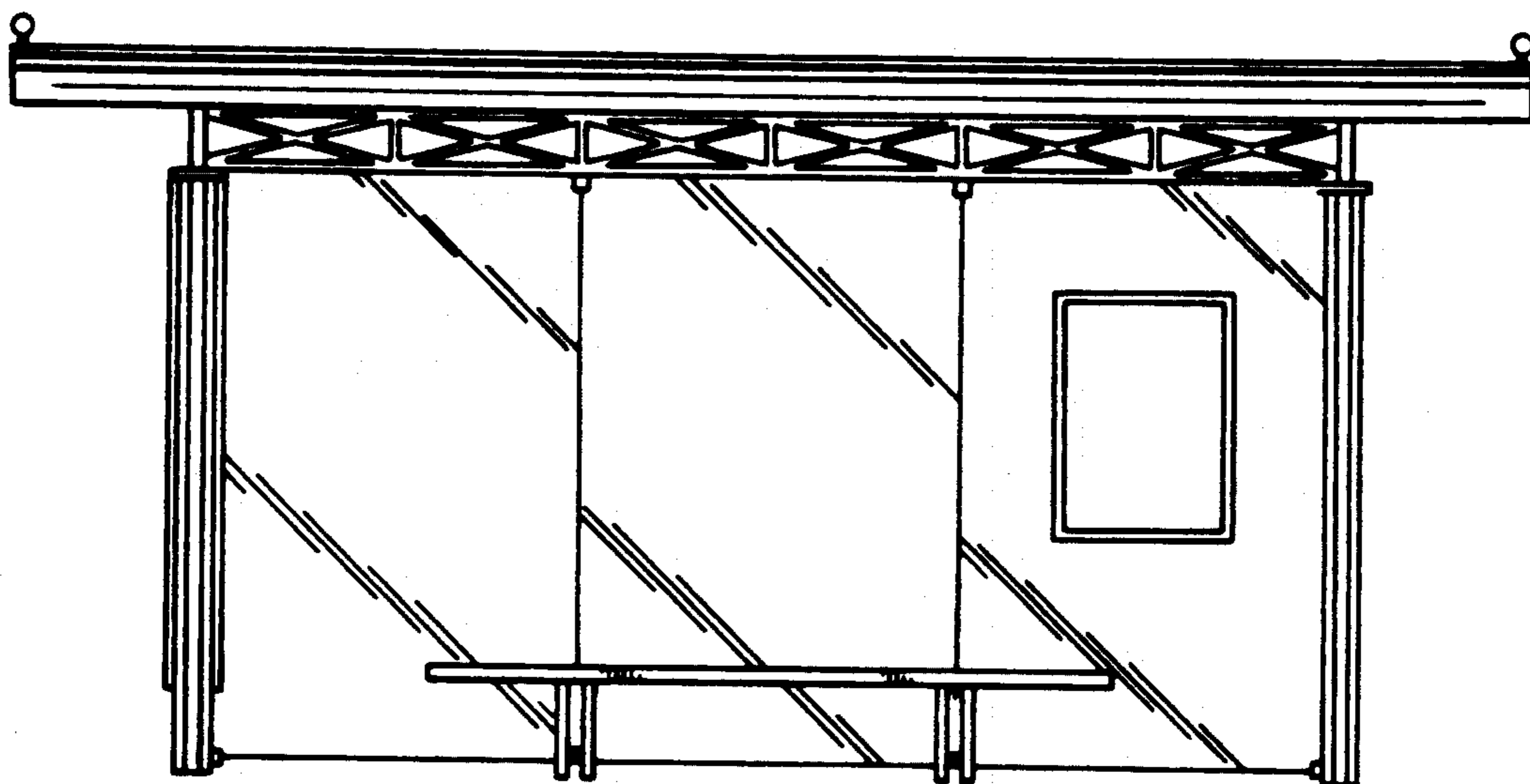


FIG. 4

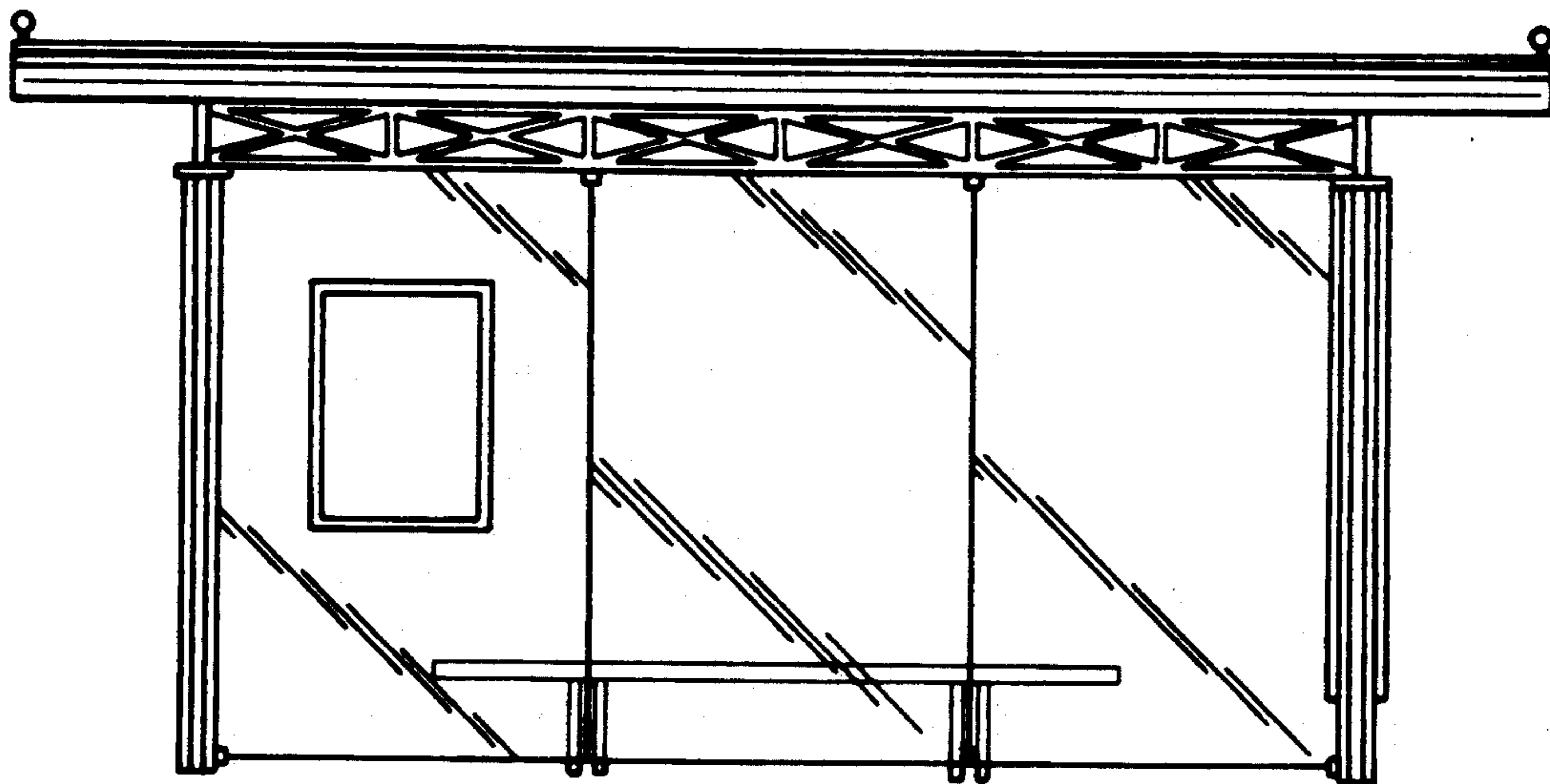


FIG. 6

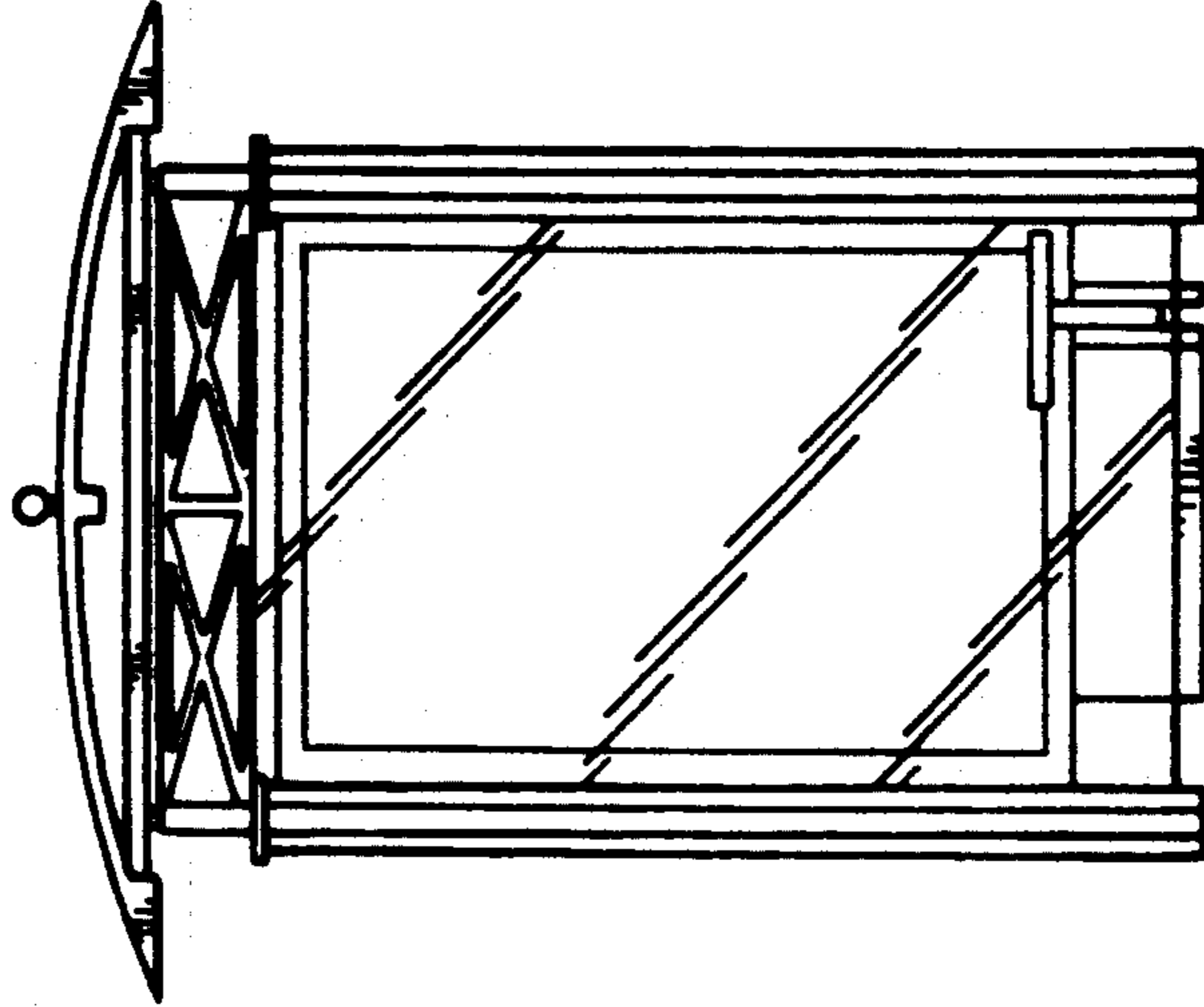


FIG. 5

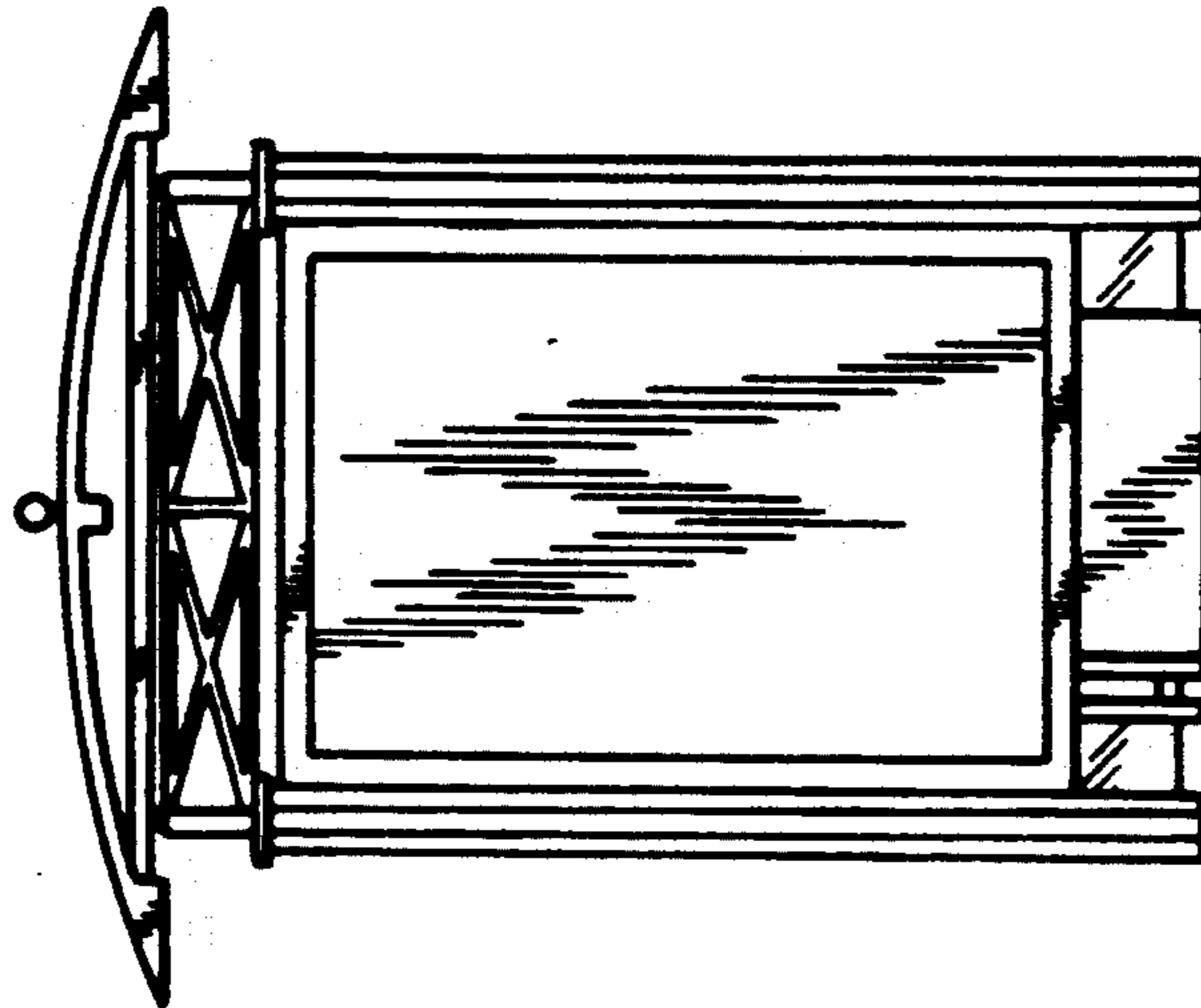


FIG. 7

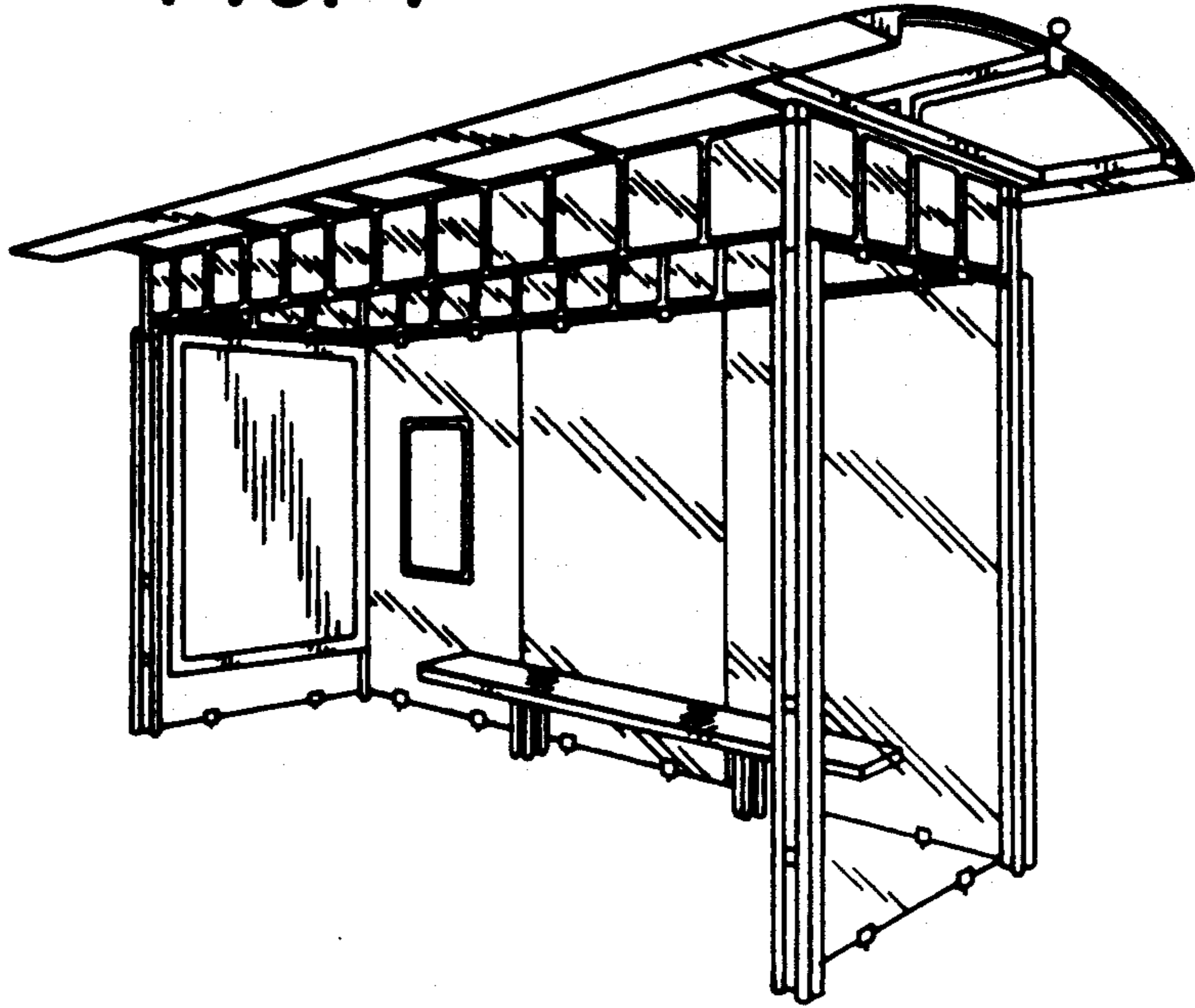


FIG. 8

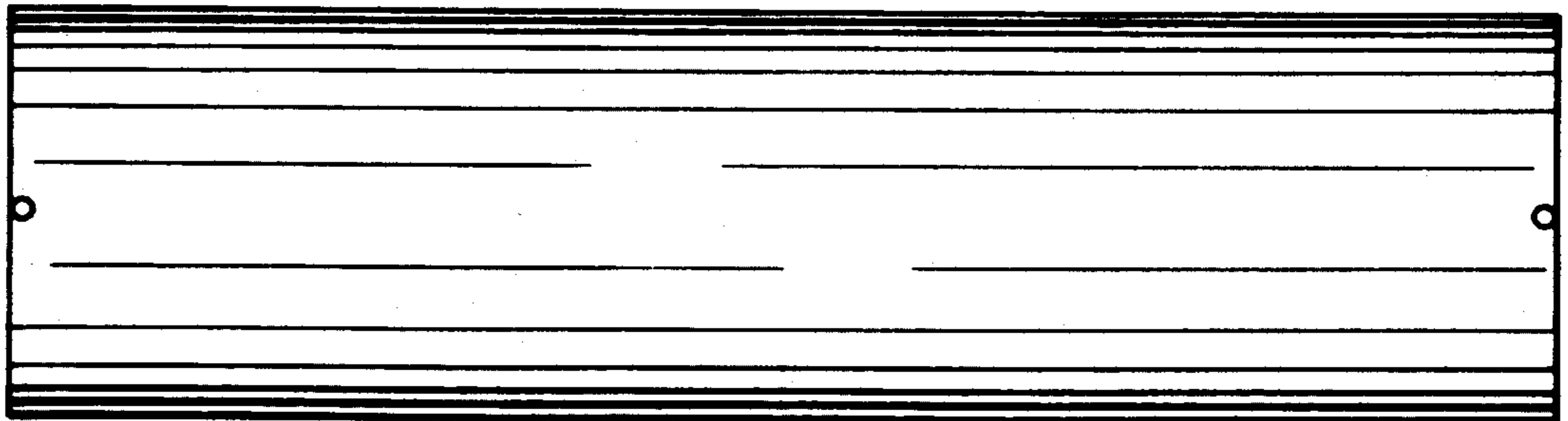


FIG. 9

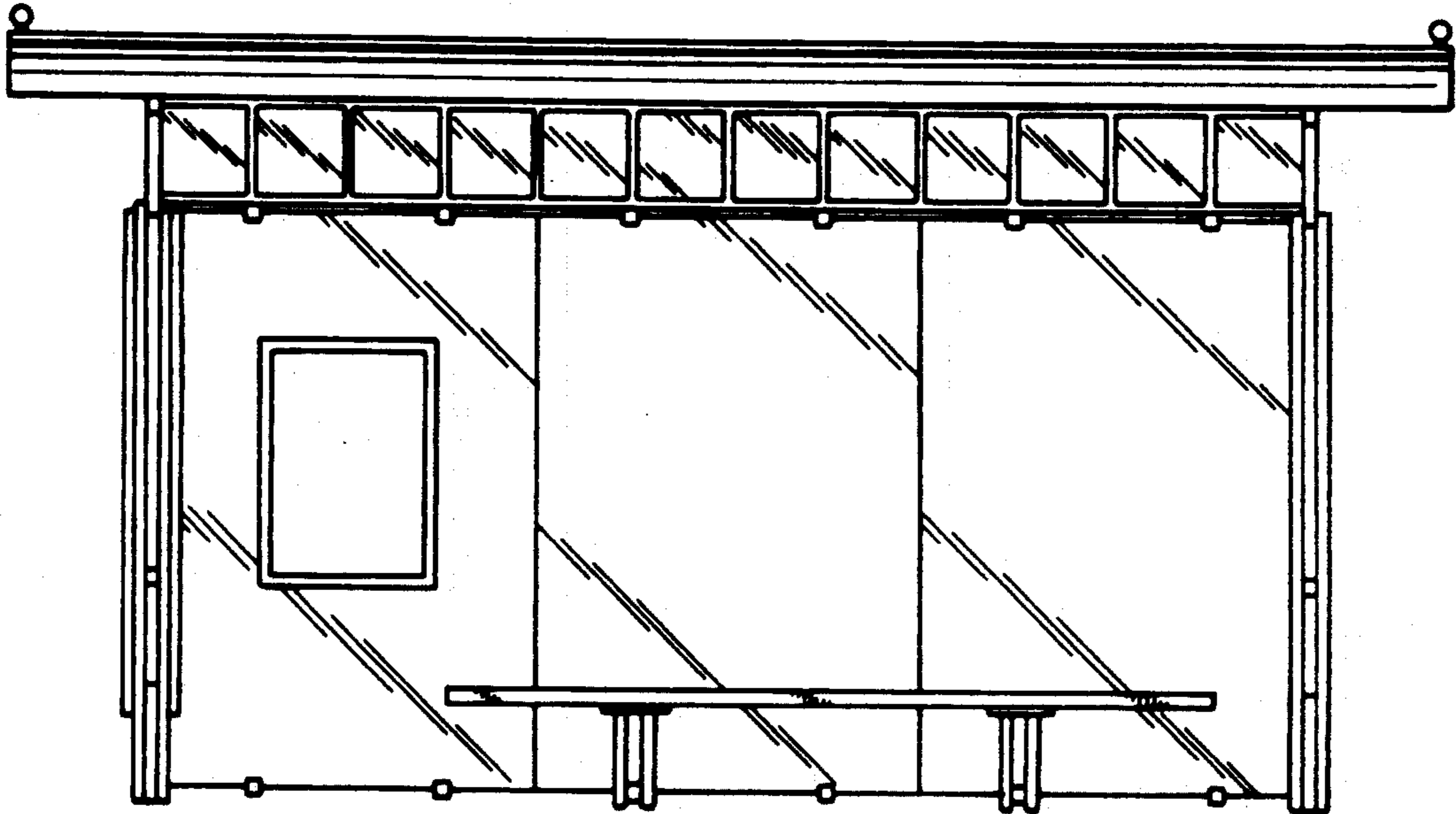


FIG. 10

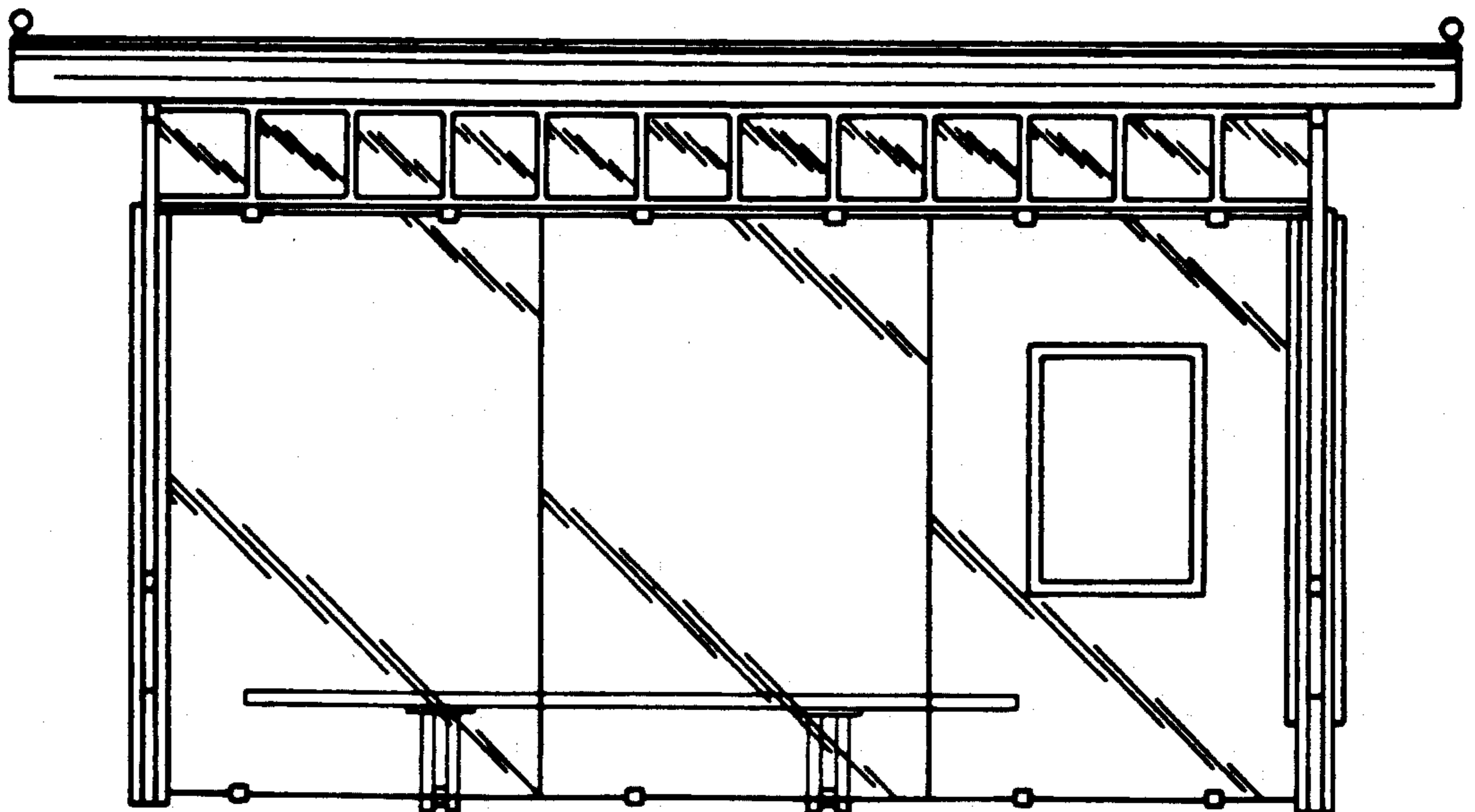


FIG. 12

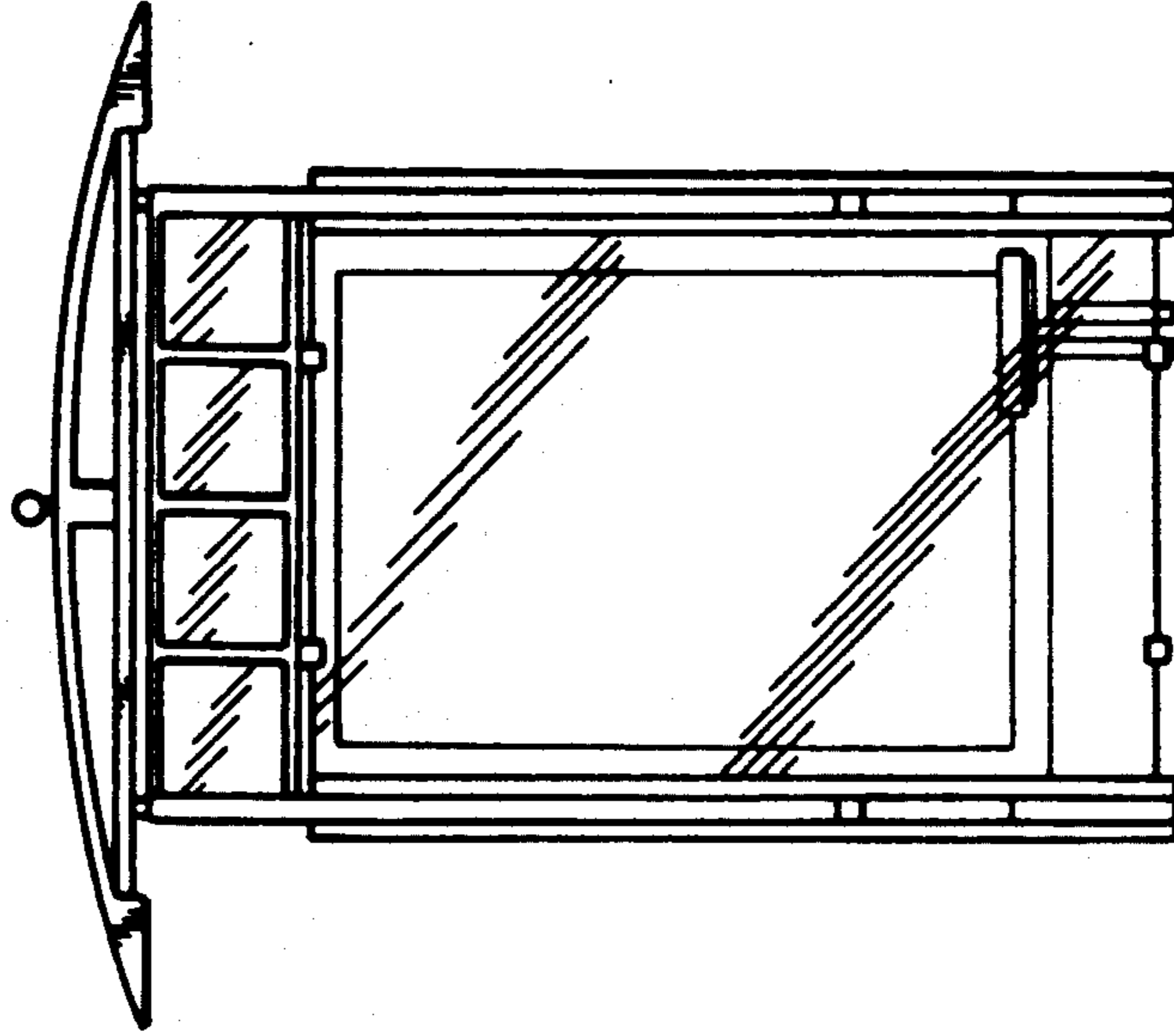


FIG. 11

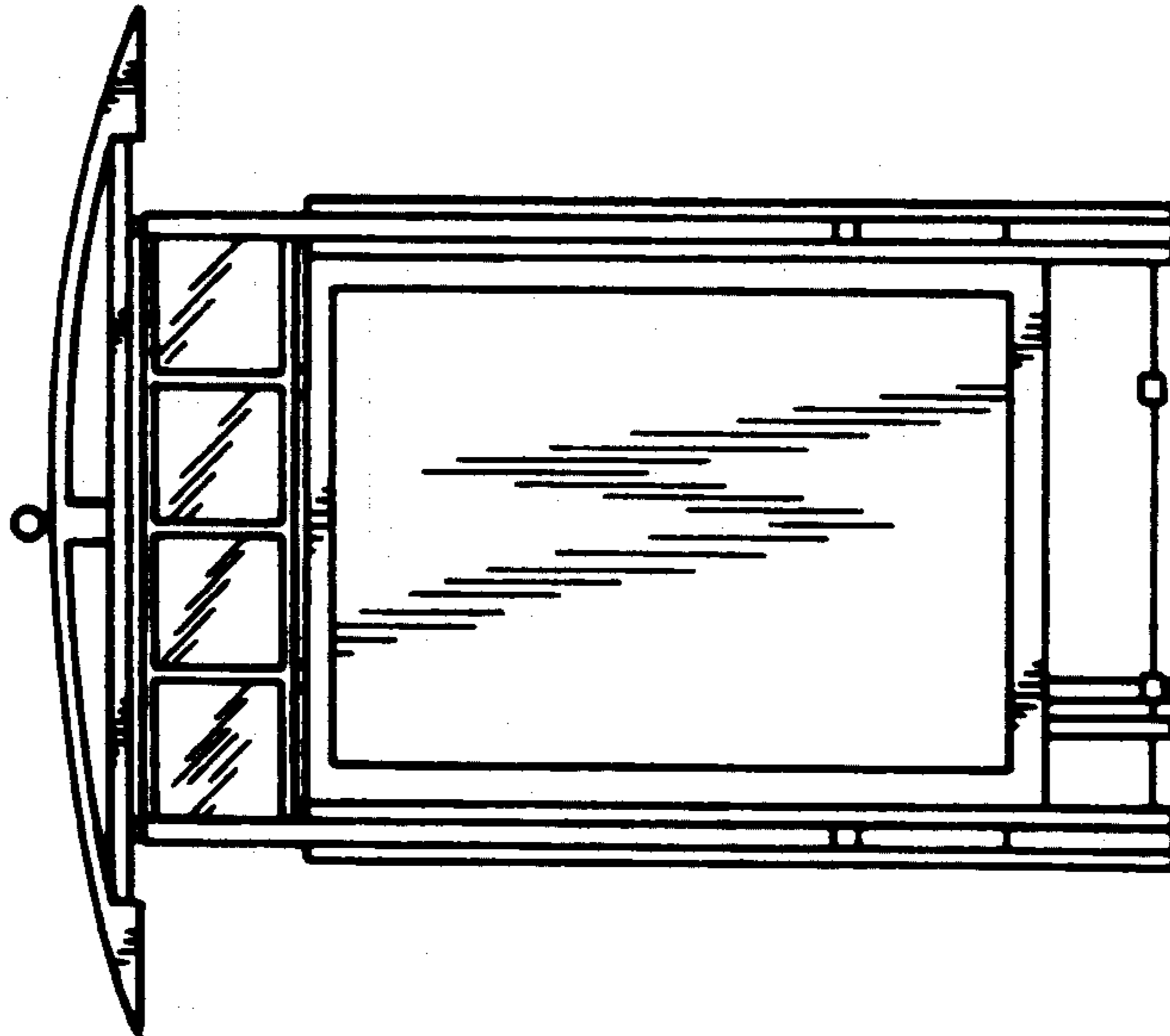


FIG. 13

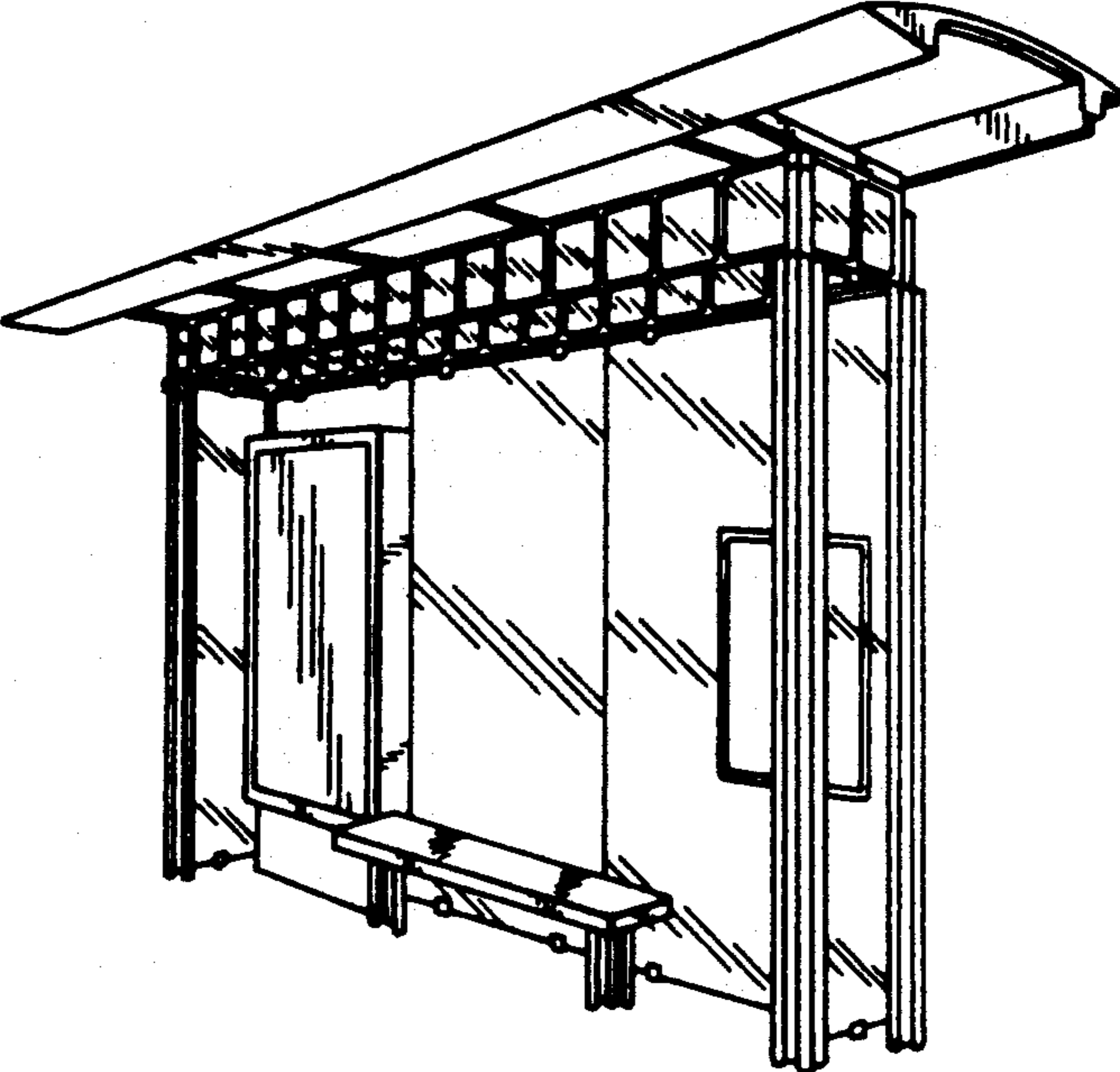


FIG. 14

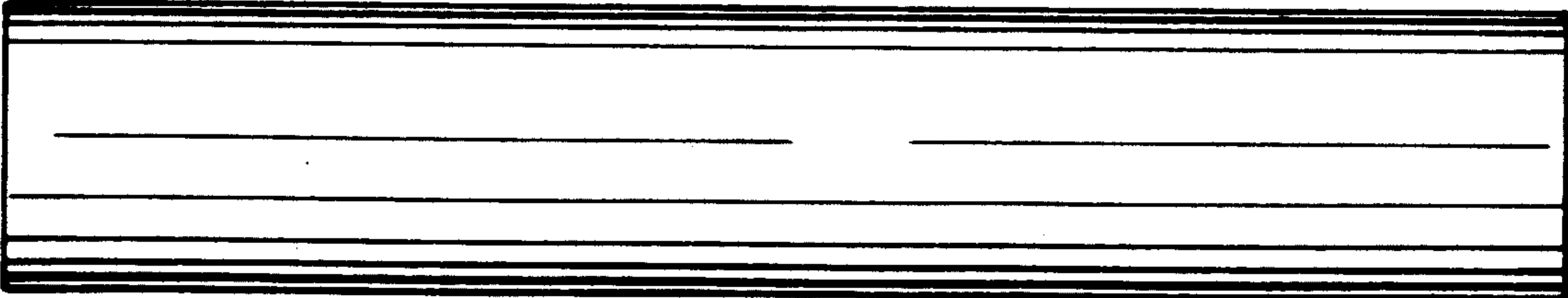


FIG. 15

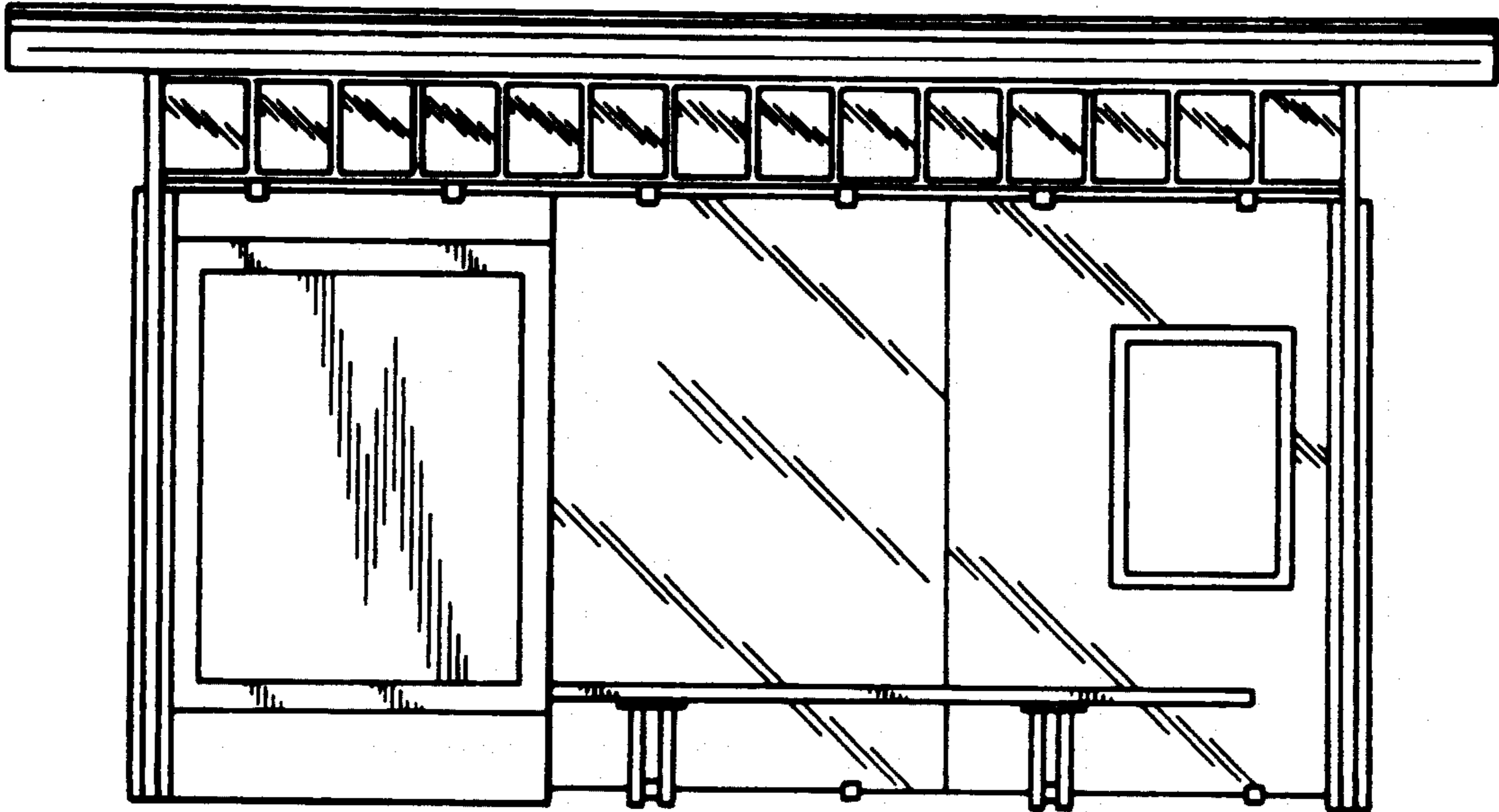


FIG. 16

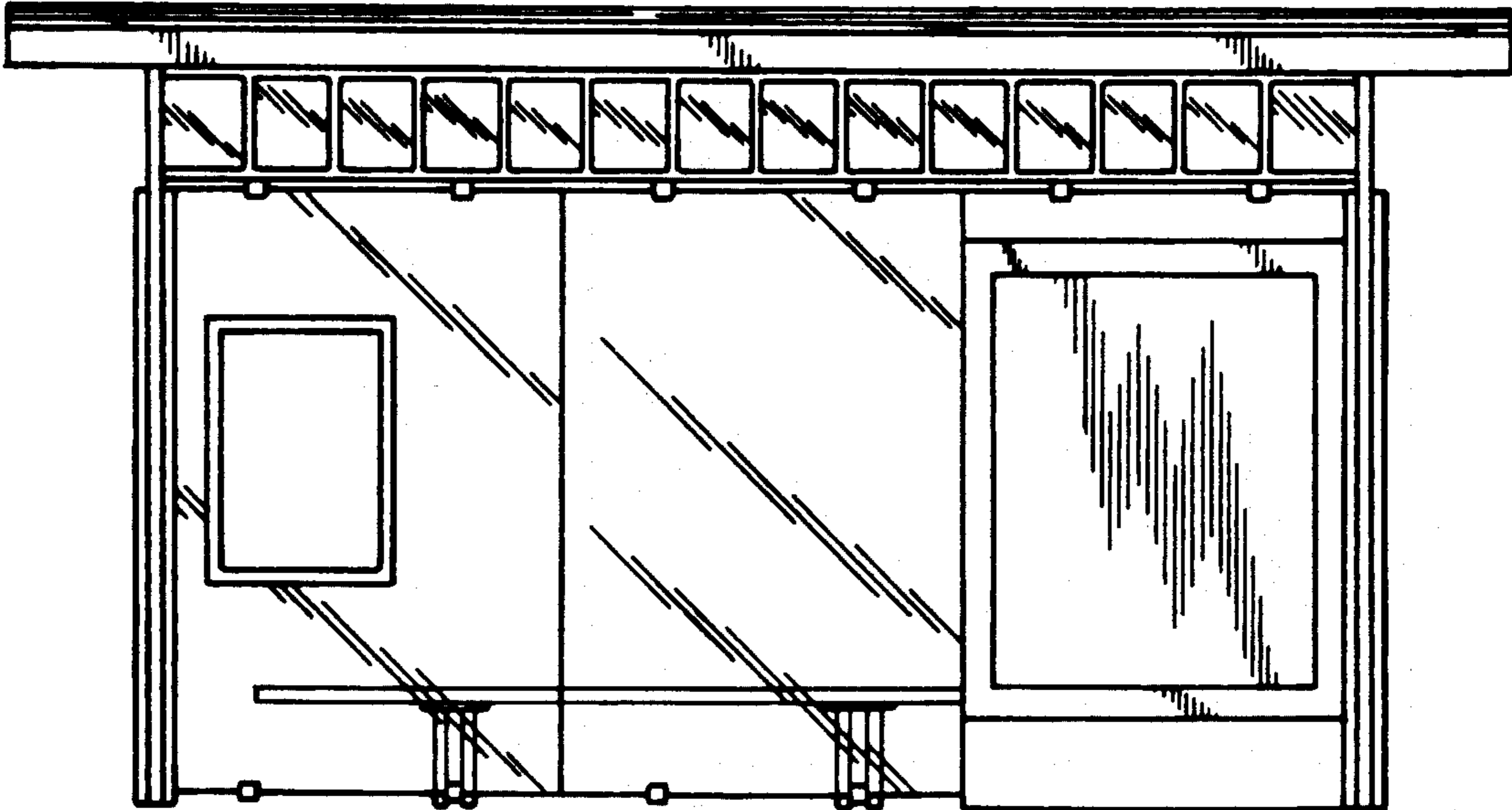


FIG. 18

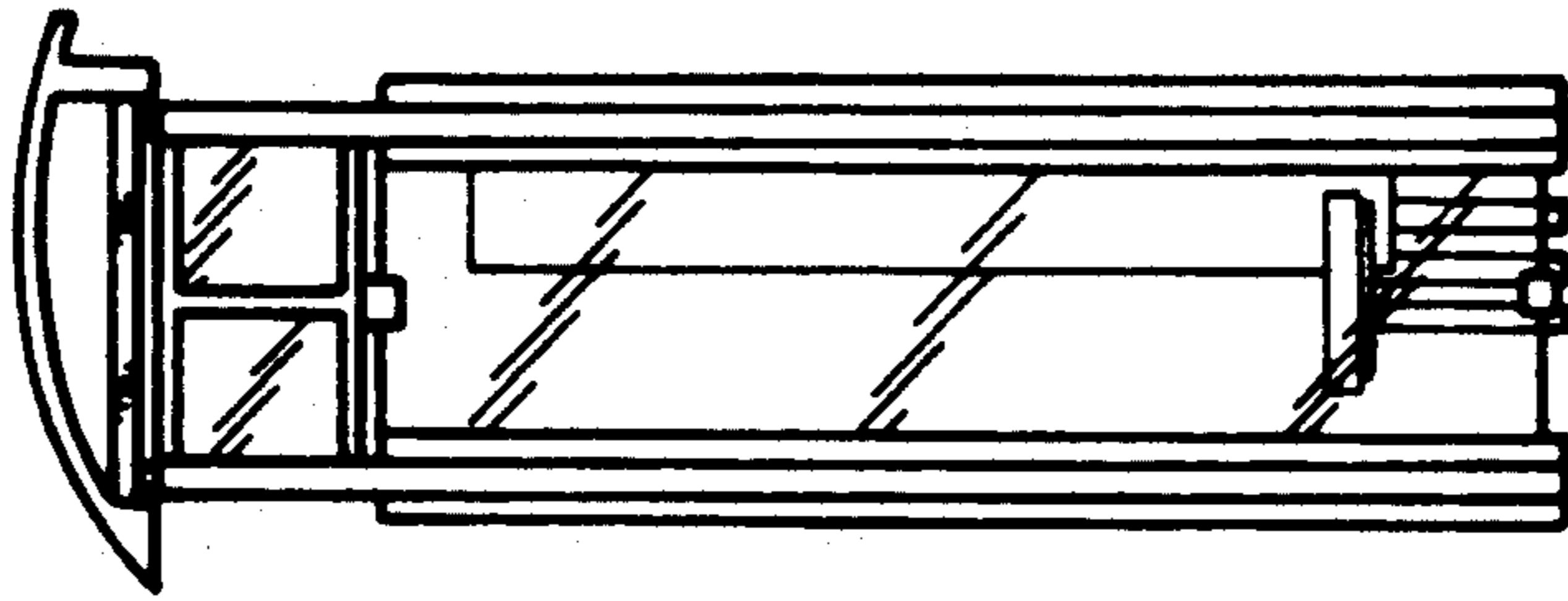


FIG. 17

