



US00D338069S

**United States Patent** [19]  
**McCormick**

[11] **Patent Number: Des. 338,069**  
[45] **Date of Patent: \*\* Aug. 3, 1993**

- [54] **BABY BOTTLE HOLDER**
- [76] **Inventor: Douglas L. McCormick, 535 Mill, Bethalto, Ill. 62010**
- [\*\*] **Term: 14 Years**
- [21] **Appl. No.: 639,165**
- [22] **Filed: Jan. 9, 1991**
- [52] **U.S. Cl. .... D24/199**
- [58] **Field of Search ..... D24/199, 197; 248/102, 248/103, 104, 105, 106, 107; D8/373, 395, 396**

4,700,856 0/1987 Campbell ..... 215/11 E  
4,750,630 0/1988 Campbell ..... 215/11.1

*Primary Examiner—Stella Reid*  
*Attorney, Agent, or Firm—Don W. Weber*

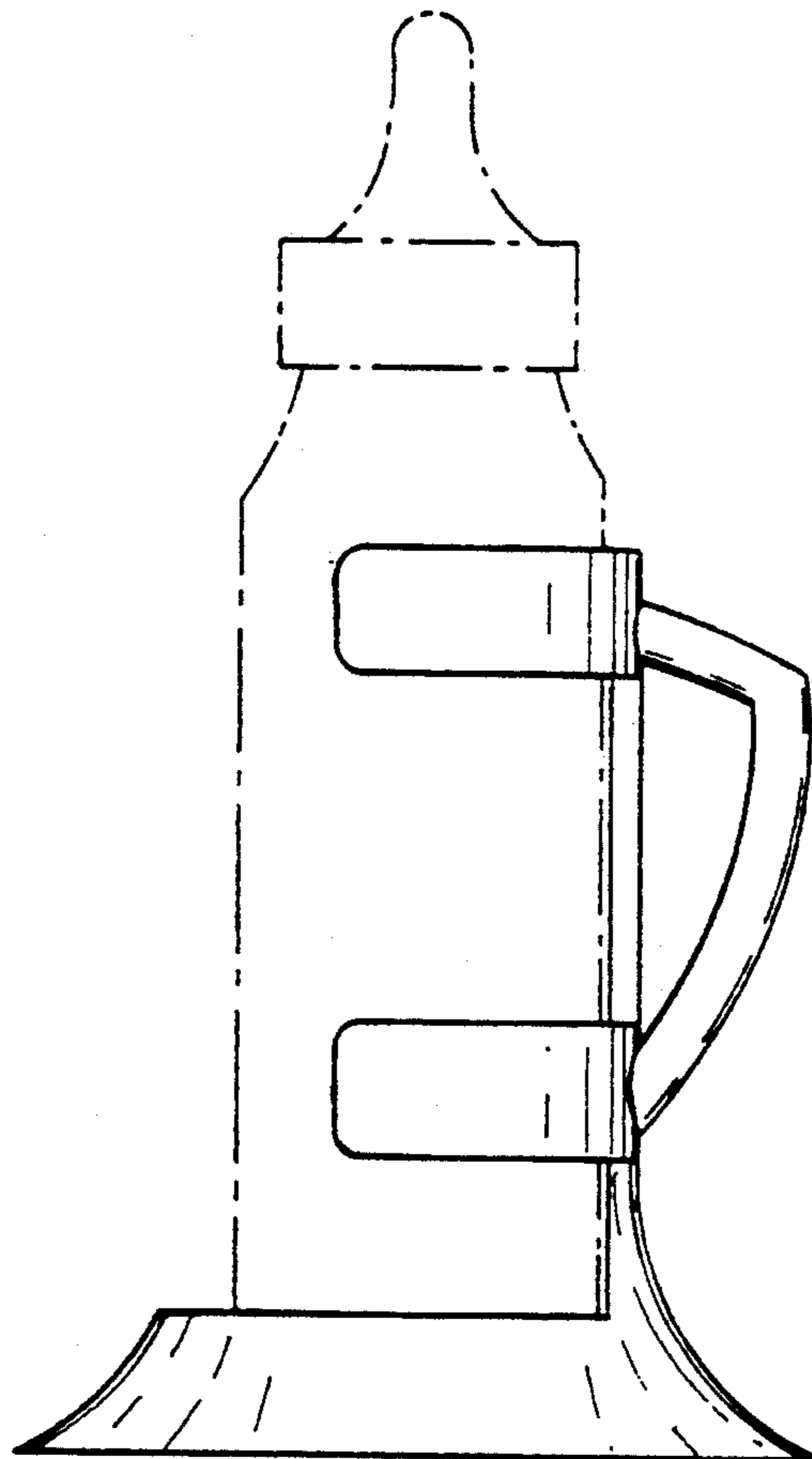
[57] **CLAIM**

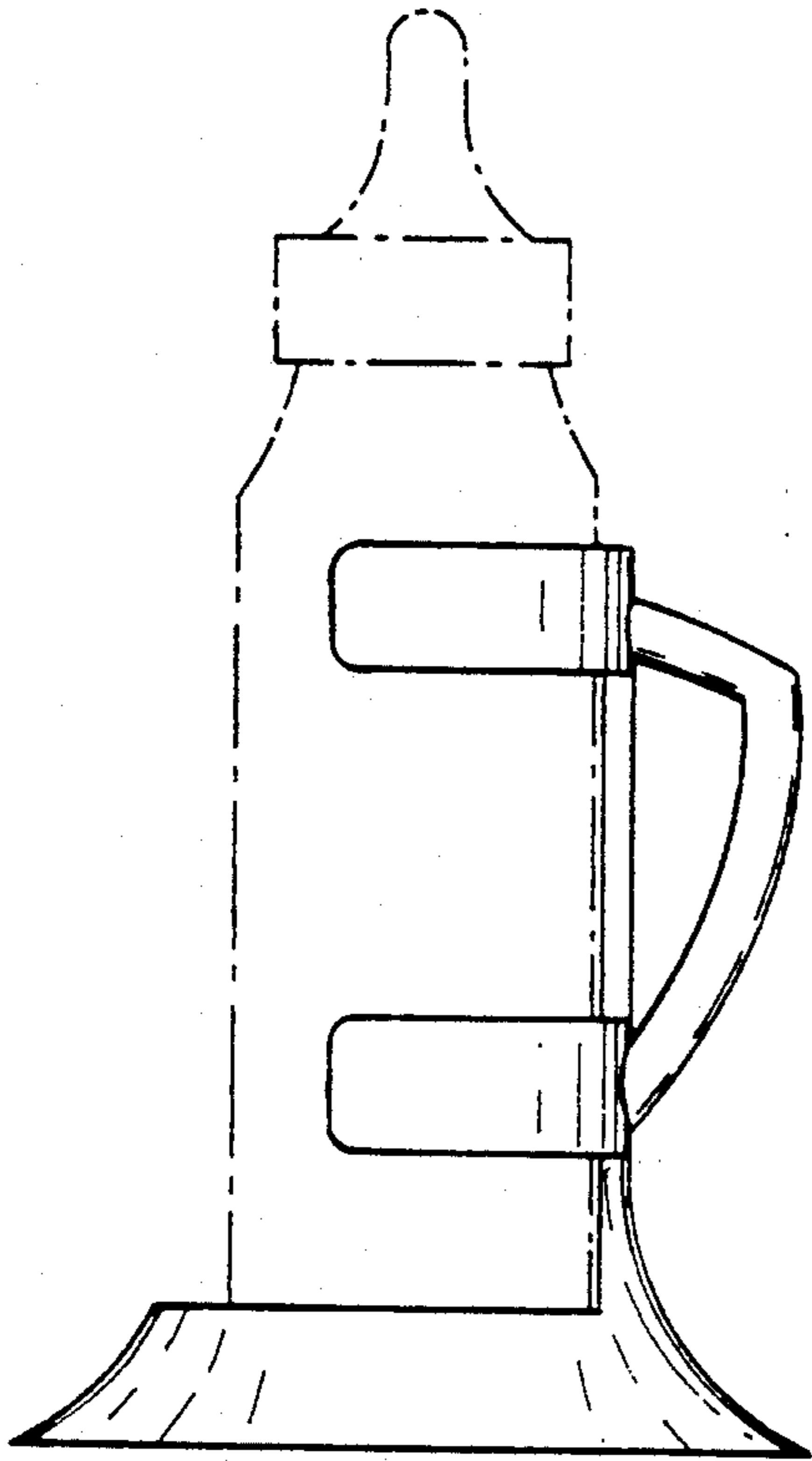
The ornamental design for a baby bottle holder, as shown and described.

**DESCRIPTION**

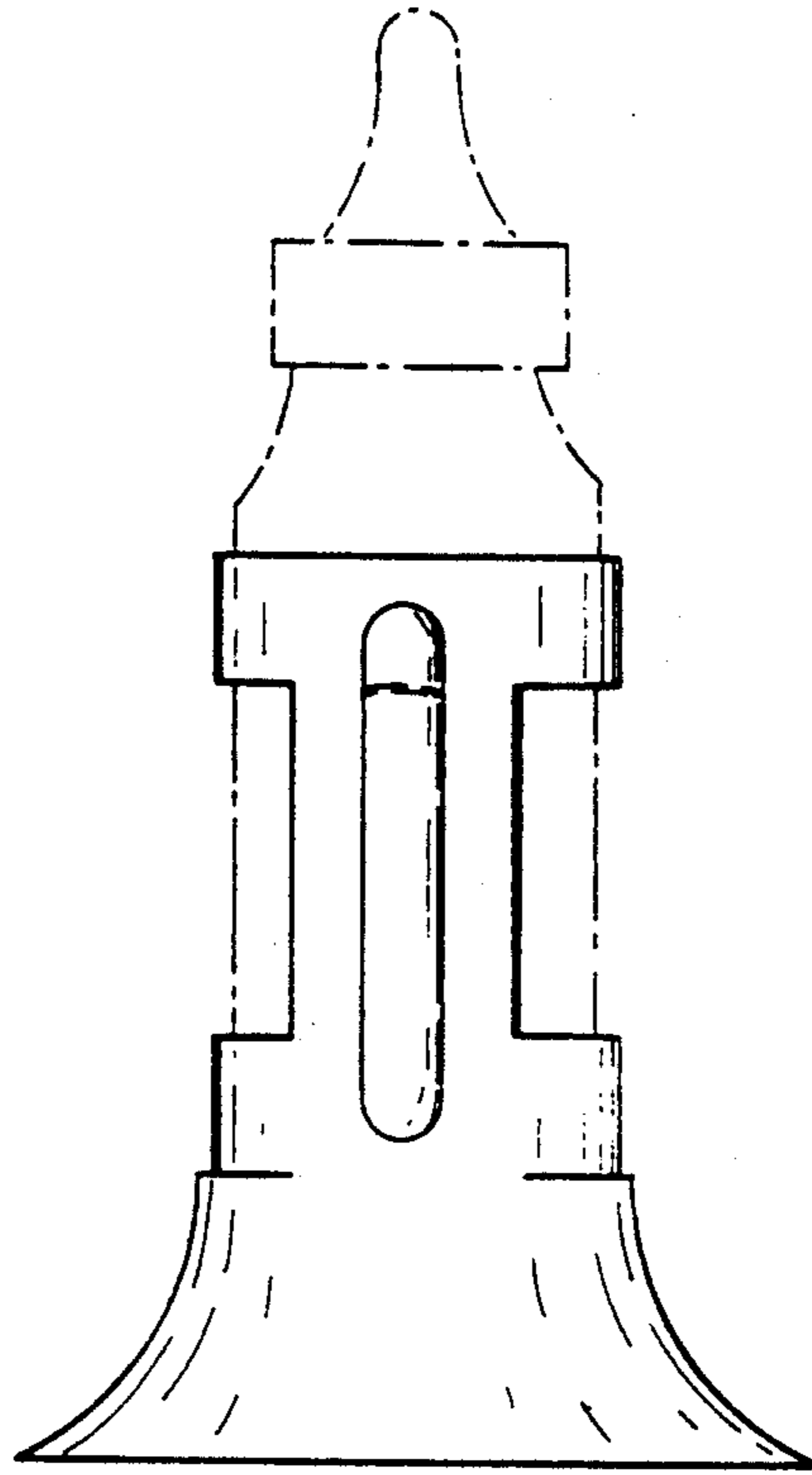
FIG. 1 is a front elevational view of a baby bottle holder, showing my new design, the rear elevational view being identical thereto;  
FIG. 2 is a left side elevational view thereof;  
FIG. 3 is a right side elevational view thereof;  
FIG. 4 is a top plan view thereof; and,  
FIG. 5 is a bottom plan view thereof.  
The broken line showing of the baby bottle is for illustrative purposes only and forms no part of the claimed design.

- [56] **References Cited**
- U.S. PATENT DOCUMENTS**
- D. 300,560 4/1989 Losito ..... D24/199
- 997,614 7/1911 Gaffney ..... 248/102
- 4,557,392 0/1985 Ryan ..... 215/11 R
- 4,570,808 0/1986 Campbell ..... 215/11 R
- 4,655,715 4/1987 Van de Carr et al. .... 248/102 X

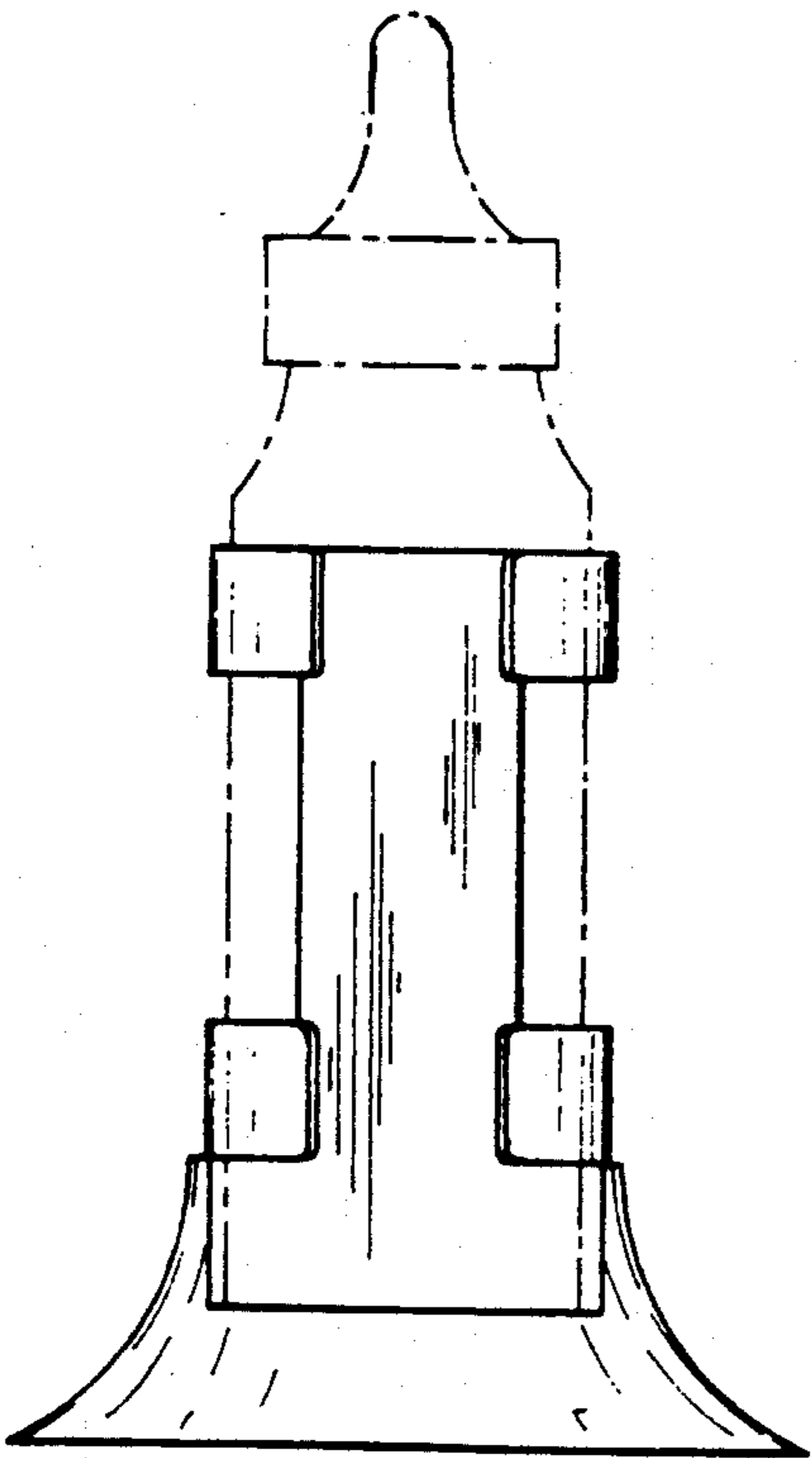




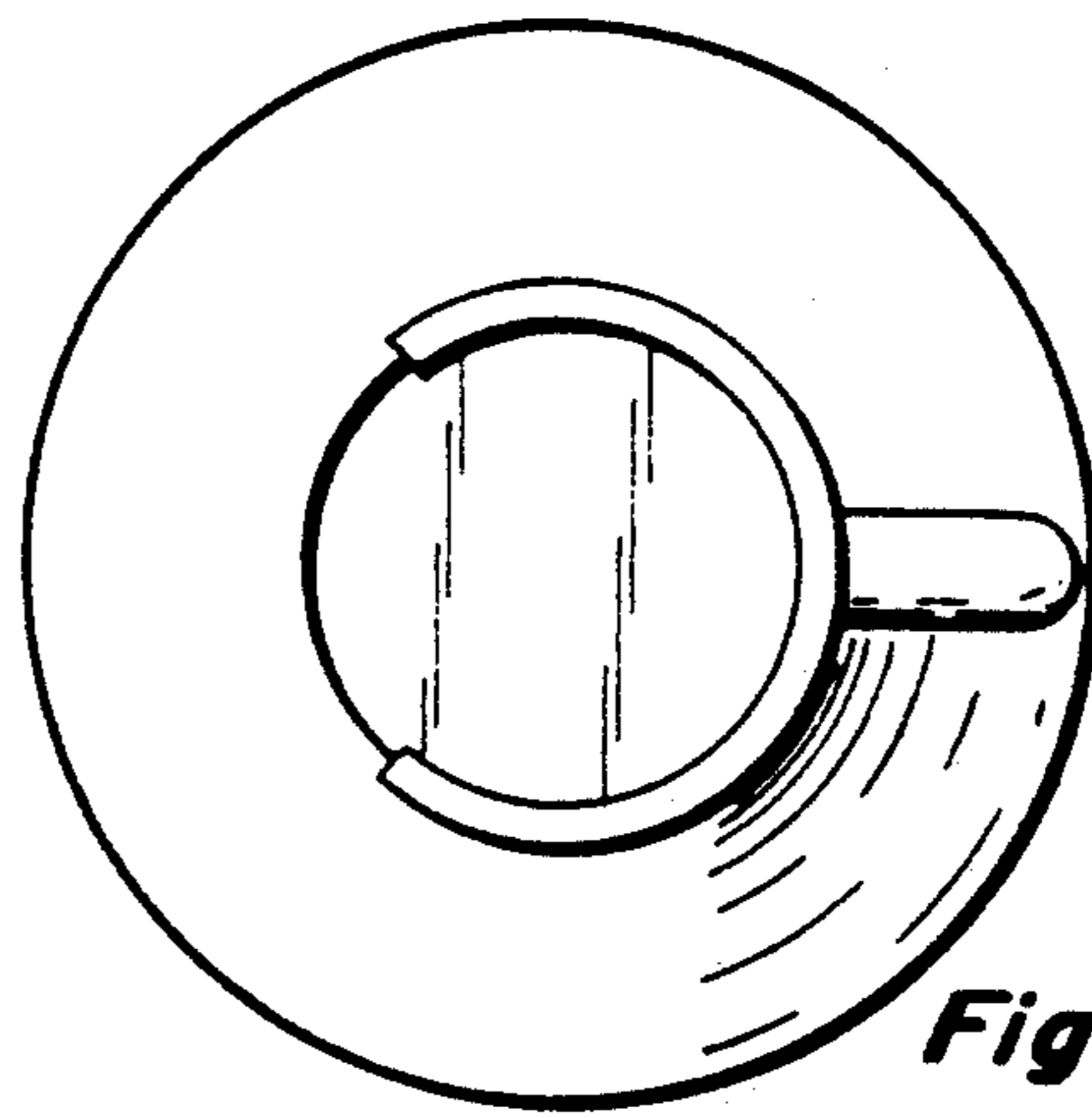
*Fig. 1*



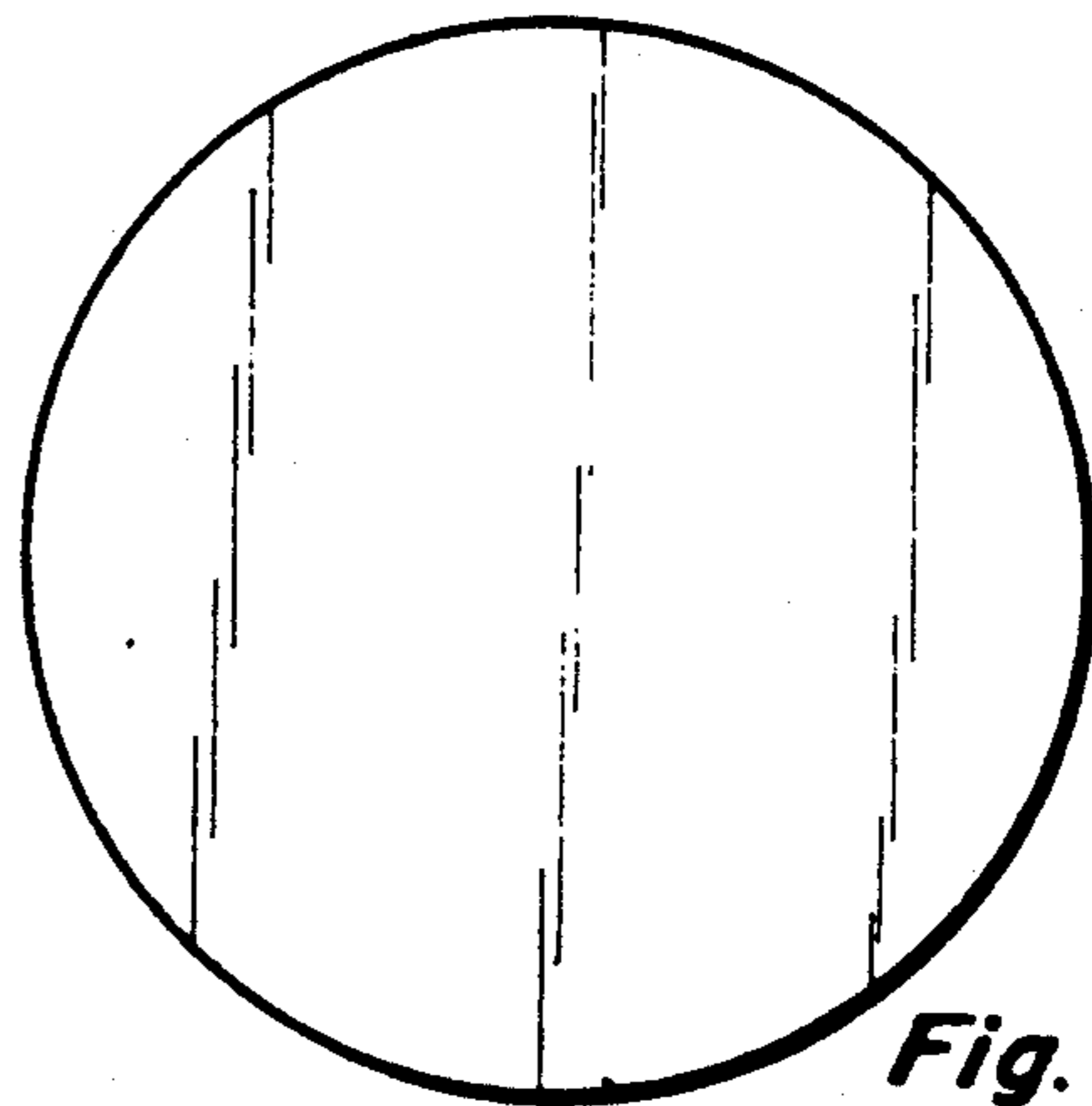
*Fig. 3*



*Fig. 2*



*Fig. 4*



*Fig. 5*