



US00D338064S

# United States Patent [19]

Jones et al.

[11] Patent Number: Des. 338,064

[45] Date of Patent: \*\* Aug. 3, 1993

[54] **SPECIMEN CUP HOLDER WITH DETACHABLE HANDLE**

5,058,787 10/1991 Chou ..... 248/312.1 X

[76] Inventors: **Timothy B. Jones**, 200 15th St., No. 134, Edmond, Okla. 73013; **Robert D. Jones; Lori D. Jones**, both of 1452 N. Washington, Ardmore, Okla. 73401

[\*] Notice: The portion of the term of this patent subsequent to Apr. 27, 2007 has been disclaimed.

[\*\*] Term: **14 Years**

[21] Appl. No.: **767,972**

[22] Filed: **Sep. 30, 1991**

[52] U.S. Cl. .... **D24/128; D7/620**

[58] Field of Search ..... D24/121, 122, 123, 128, D24/227, 228; D1/123; D7/620, 611; 126/82; 248/311.2, 315; 446/15, 16, 21, 20; 24/17 AP, 30.5 R, 30.5 P; 128/760, 761, 763

[56] **References Cited**

**U.S. PATENT DOCUMENTS**

- D. 256,279 8/1980 Huggins ..... D7/620 X
- D. 306,648 4/1990 Jones et al. .... D24/128
- 2,628,054 2/1953 Fazakerley ..... 248/311.2

**OTHER PUBLICATIONS**

The Lancet Publication-Jan. 3, 1970 FIG. #2 lower right "Urinal Lid with pommel rack and forward placed cup" p. 22.

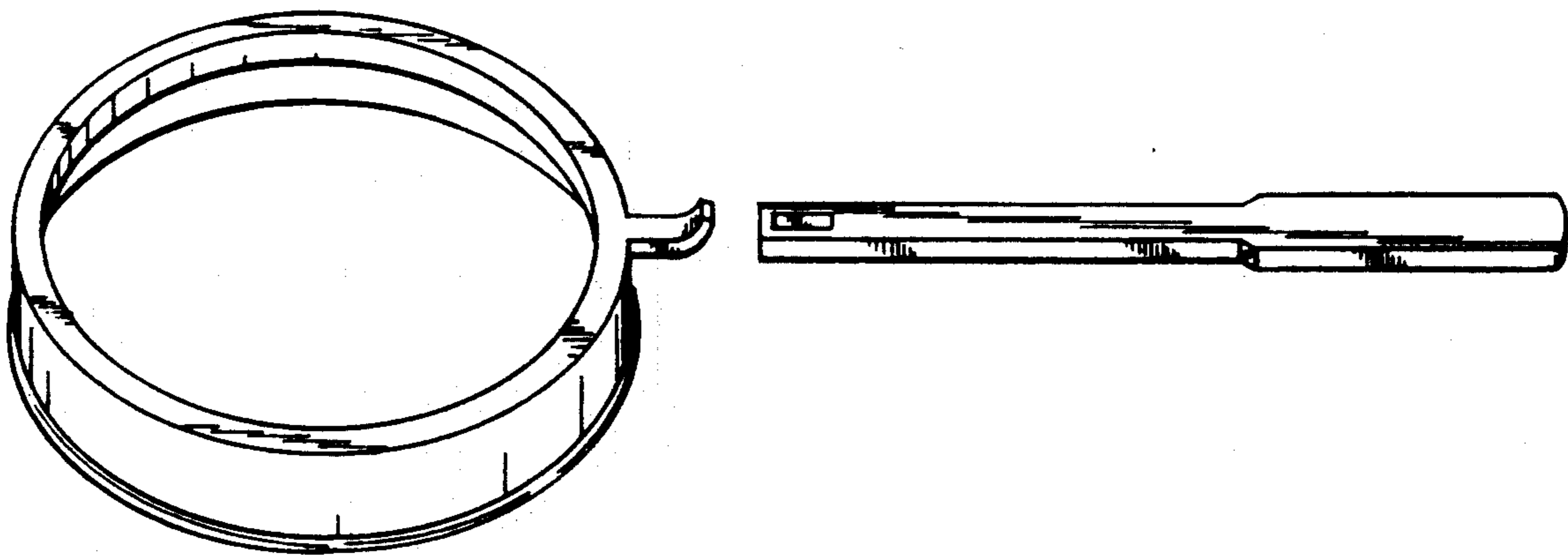
*Primary Examiner*—Stella Reid  
*Assistant Examiner*—Ian Simmons  
*Attorney, Agent, or Firm*—Glen M. Burdick

[57] **CLAIM**

The ornamental design for a specimen cup holder with detachable handle, as shown and described.

**DESCRIPTION**

FIG. 1 is a perspective view of a specimen cup holder with detachable handle showing our new design, in a disassembled position;  
 FIG. 2 is a rear elevational view thereof, in assembled position;  
 FIG. 3 is a front elevational view thereof;  
 FIG. 4 is a side elevational view thereof;  
 FIG. 5 is a side elevational view thereof, opposite that shown in FIG. 4;  
 FIG. 6 is a top plan view thereof; and,  
 FIG. 7 is a bottom plan view thereof.



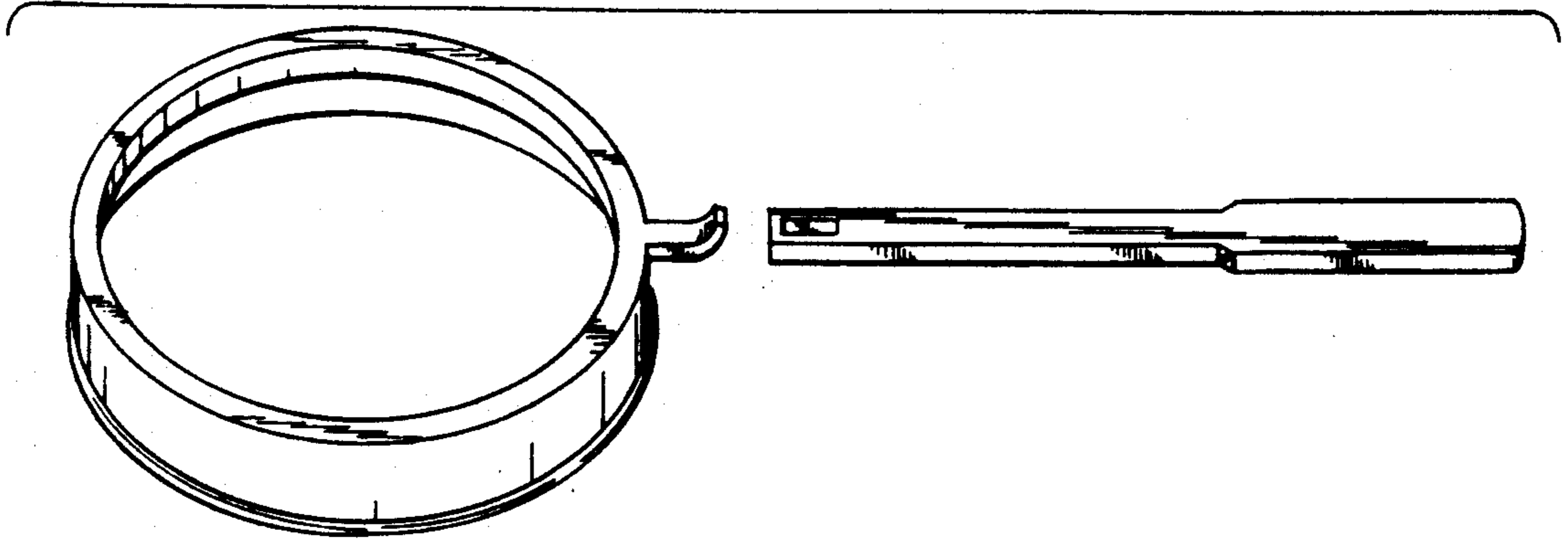


FIG. 1

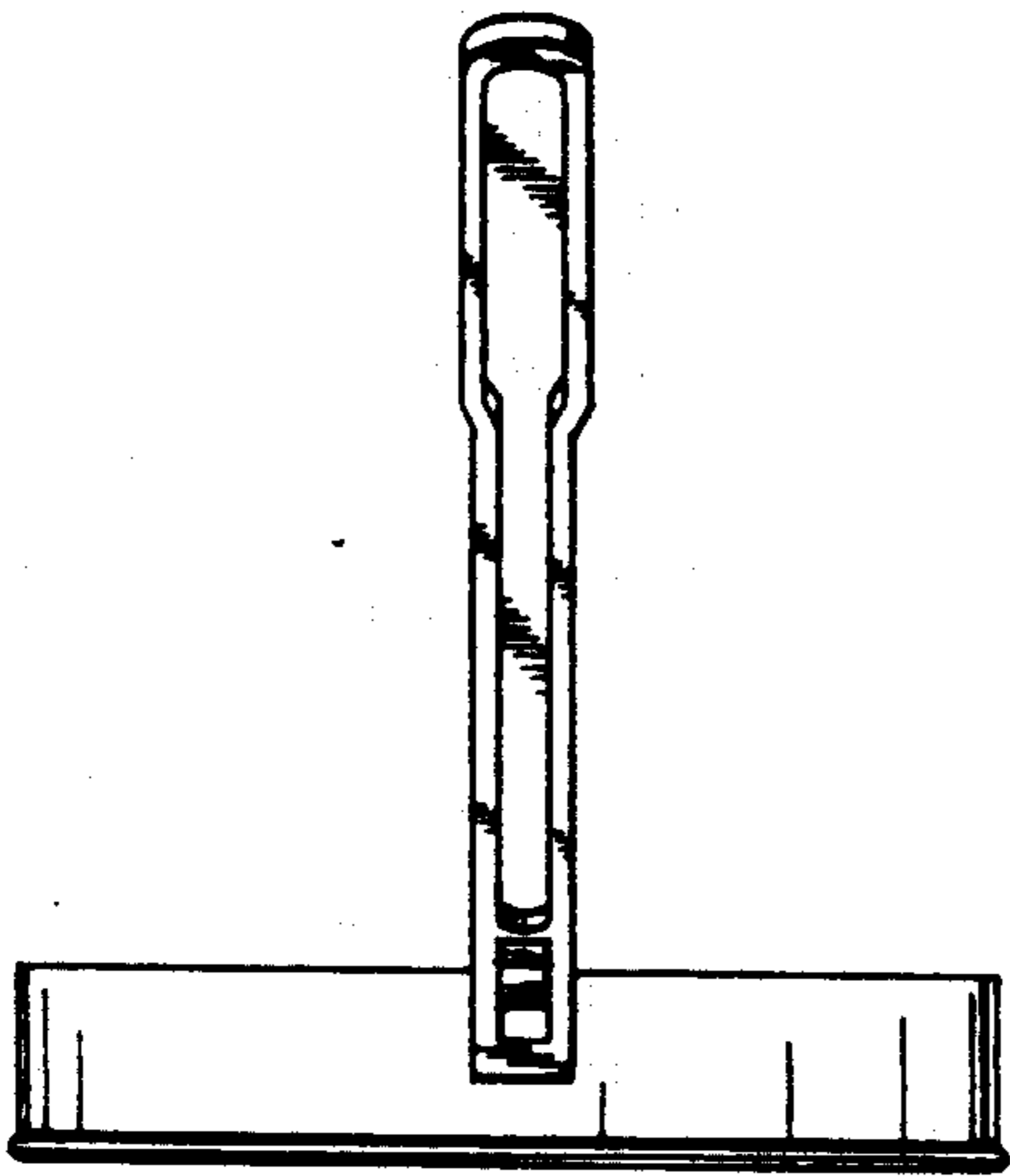


FIG. 2

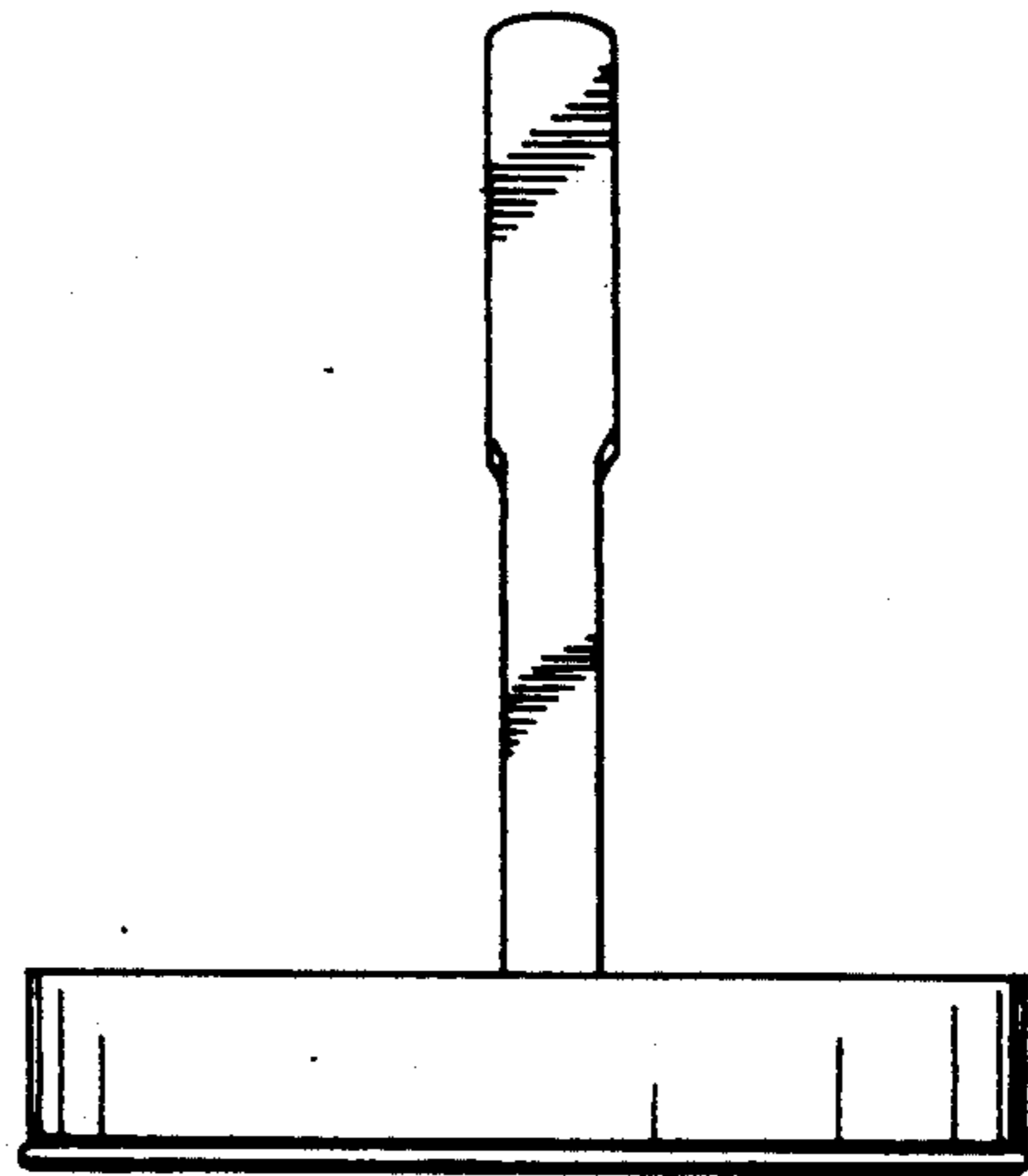


FIG. 3

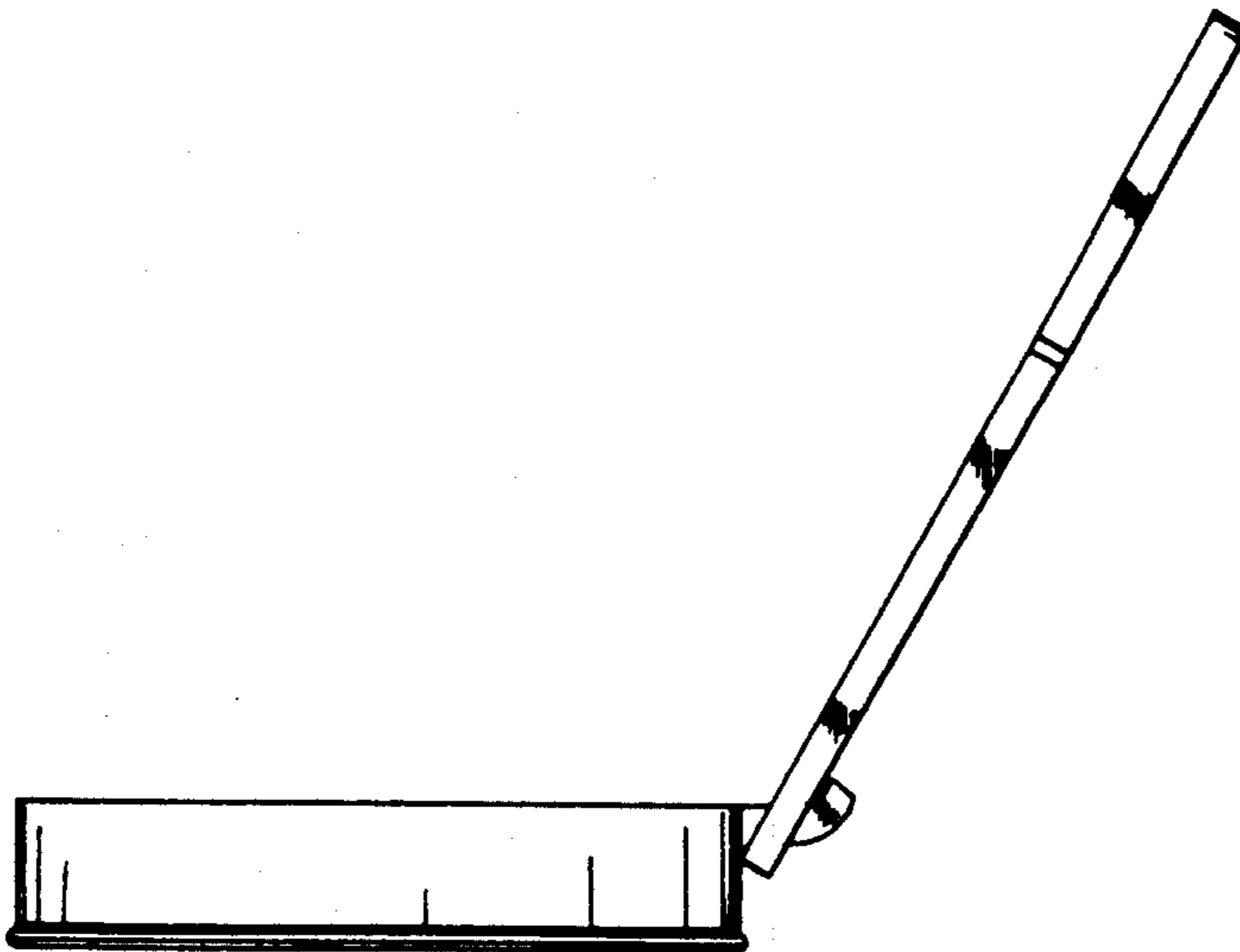


FIG. 4

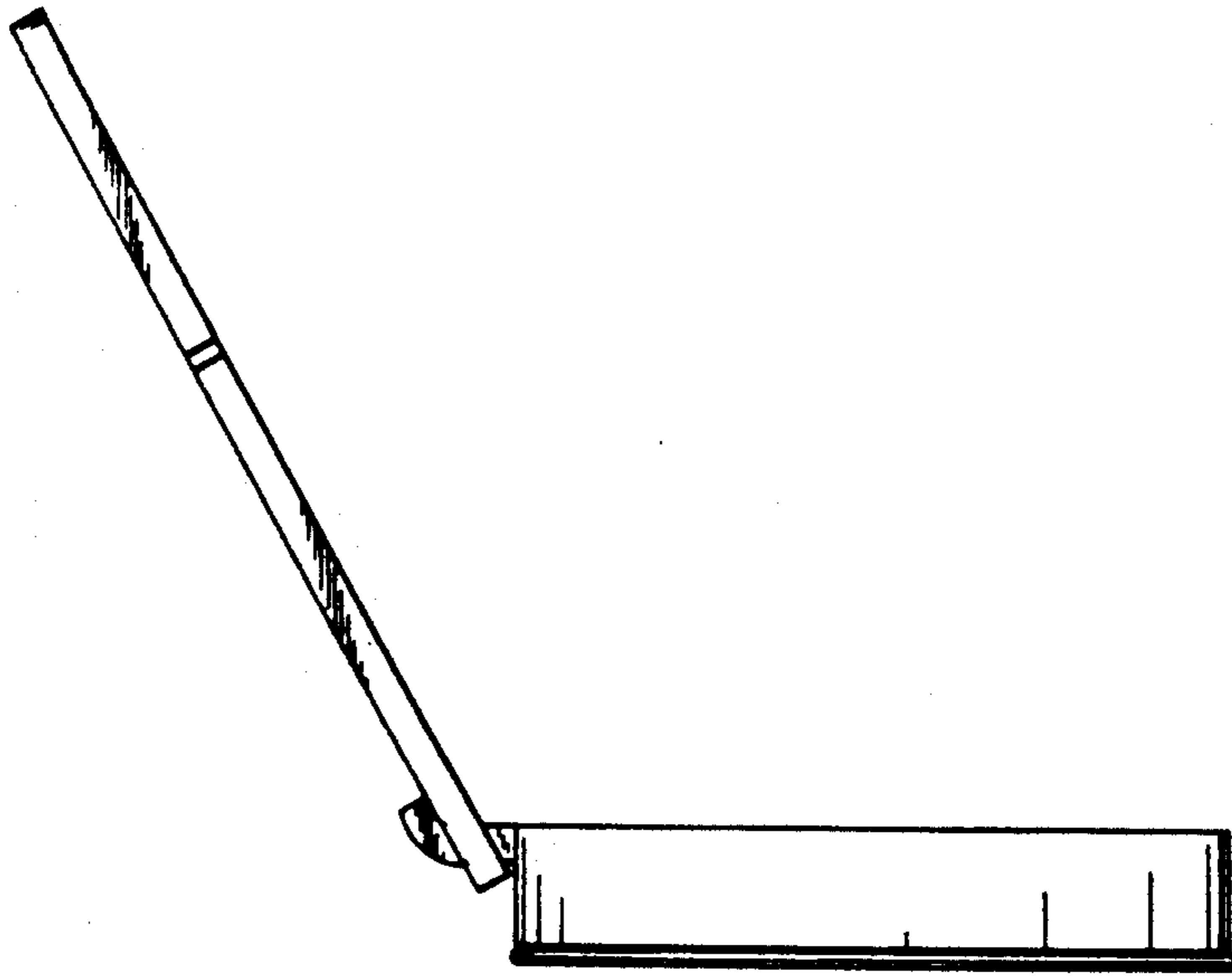


FIG. 5

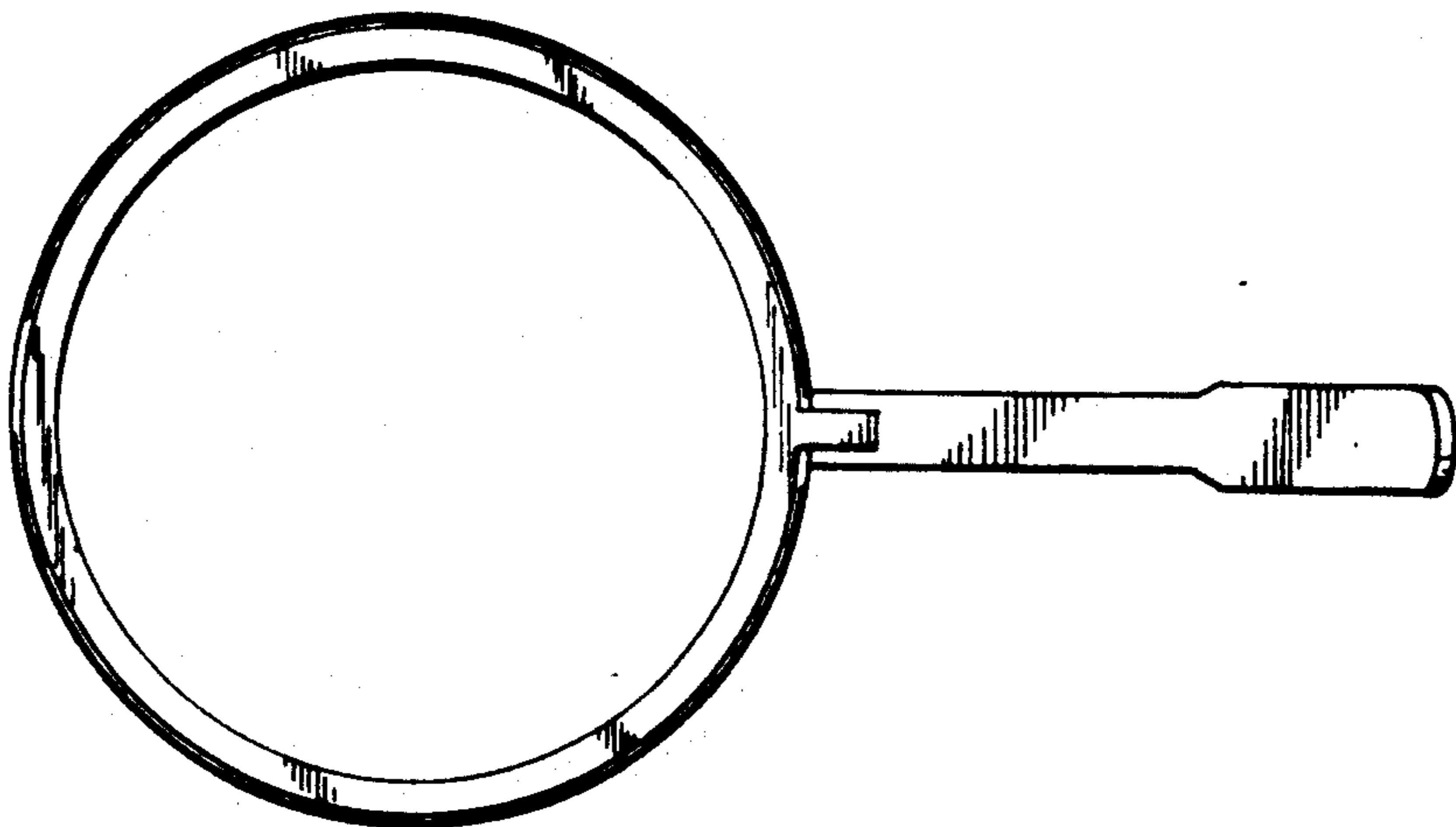


FIG. 6

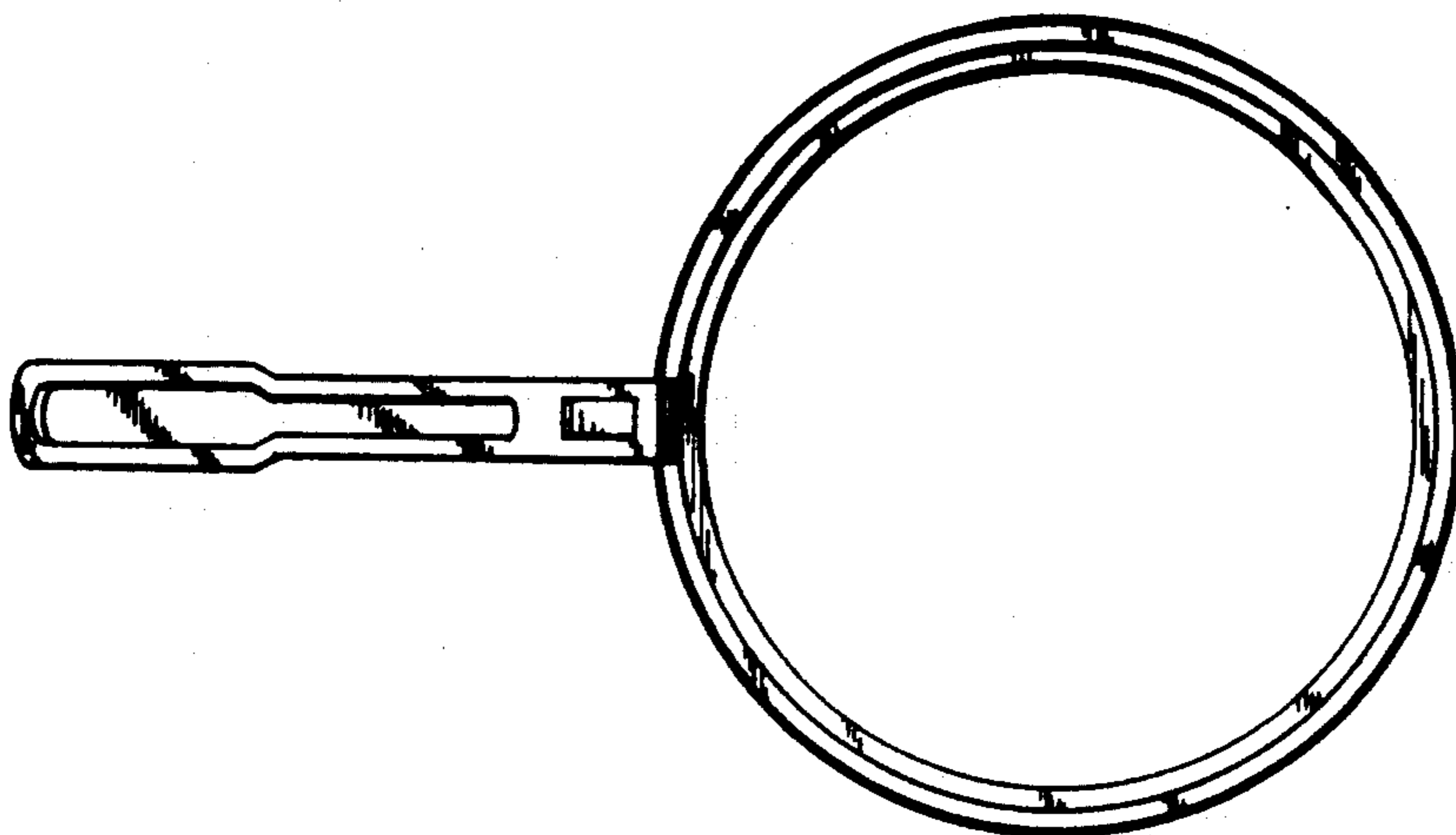


FIG. 7