



US00D338059S

United States Patent [19] Richards

[11] Patent Number: Des. 338,059
[45] Date of Patent: ** Aug. 3, 1993

[54] **COMBINED BATHTUB AND INVALID CHAIR HOIST**

5,146,638 9/1992 Richards .

[75] Inventor: **Derek J. Richards**, Gloucester, England
[73] Assignee: **Arjo Limited**, Gloucester, England
[**] Term: **14 Years**
[21] Appl. No.: **643,666**
[22] Filed: **Jan. 18, 1991**

FOREIGN PATENT DOCUMENTS

2512595 10/1975 Fed. Rep. of Germany .
3511267 10/1986 Fed. Rep. of Germany .
2614527 11/1988 France .
8800820 2/1988 Int'l Pat. Institute .
WO83/02721 8/1983 PCT Int'l Appl. 4/563.1
744155 2/1956 United Kingdom .
2123285 2/1984 United Kingdom .
2131291 6/1984 United Kingdom .
2197636 5/1988 United Kingdom 4/561.1
2222767 3/1990 United Kingdom .
8505267 12/1985 World Int. Prop. O. .

[30] **Foreign Application Priority Data**

Jul. 24, 1990 [GB] United Kingdom 2008488
Jan. 5, 1991 [GB] United Kingdom 2012132
[52] U.S. Cl. **D23/271**
[58] Field of Search D23/270, 271, 273, 275,
D23/277-283, 303-307; 4/538, 541.1-541.6,
551, 559, 560.1-566.1, 571.1-578.1, 584, 589,
590, 596, 610, 611, 612, 621, 622, 675

Primary Examiner—James R. Largen
Attorney, Agent, or Firm—Collard & Roe

[56] **References Cited**

U.S. PATENT DOCUMENTS

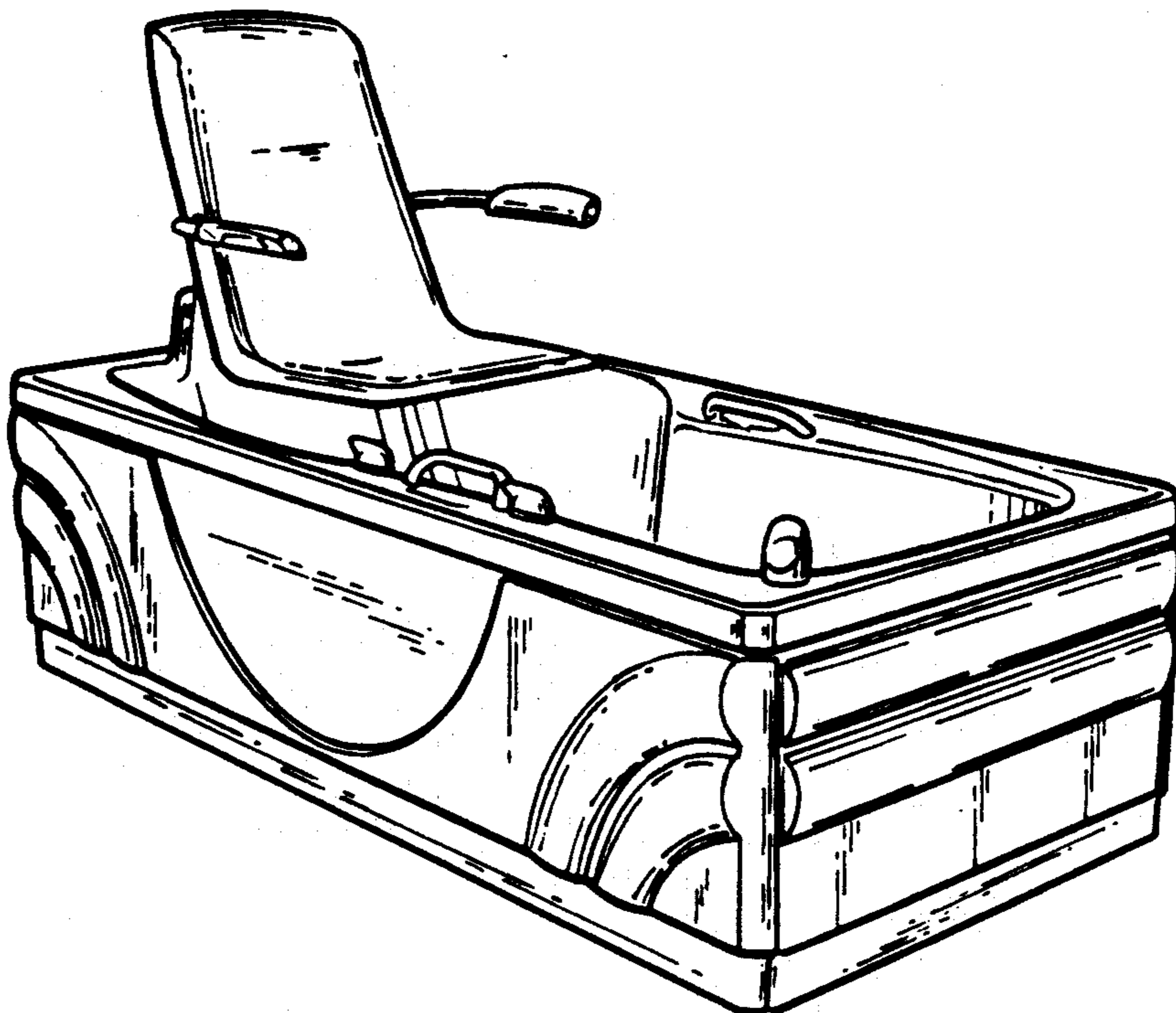
D. 297,161 8/1988 Weschta D23/279
2,187,283 1/1940 Scheutz .
3,078,473 2/1963 Daniels 4/563.1
3,078,475 2/1963 Turner 4/562.1
3,268,918 8/1966 Batty et al. 4/563.1
3,280,409 10/1966 Cotner 4/563.1
3,815,163 6/1974 Sullivan 4/562.1
3,994,030 11/1976 Cassell et al. 4/563.1
4,552,658 11/1985 Adcock et al. 4/541.3
4,624,019 11/1986 Pennington-Richards 4/566.1
4,628,550 12/1986 Walton 4/559
4,928,330 5/1990 Mooro 4/562.1

[57] **CLAIM**

The ornamental design for a combined bathtub and invalid chair hoist, as shown and described.

DESCRIPTION

FIG. 1 is a perspective view taken from the top, front and left side of a combined bathtub and invalid chair hoist showing my new design;
FIG. 2 is a left side elevational view thereof;
FIG. 3 is a right side elevational view thereof;
FIG. 4 is a front elevational view thereof;
FIG. 5 is a rear elevational view thereof;
FIG. 6 is a top plan view thereof;
FIG. 7 is another left side elevational view thereof, showing the chair in a lowered position;
FIG. 8 is a right side elevational view of FIG. 7;
FIG. 9 is a front elevational view of FIG. 7; and,
FIG. 10 is a rear elevational view of FIG. 7.



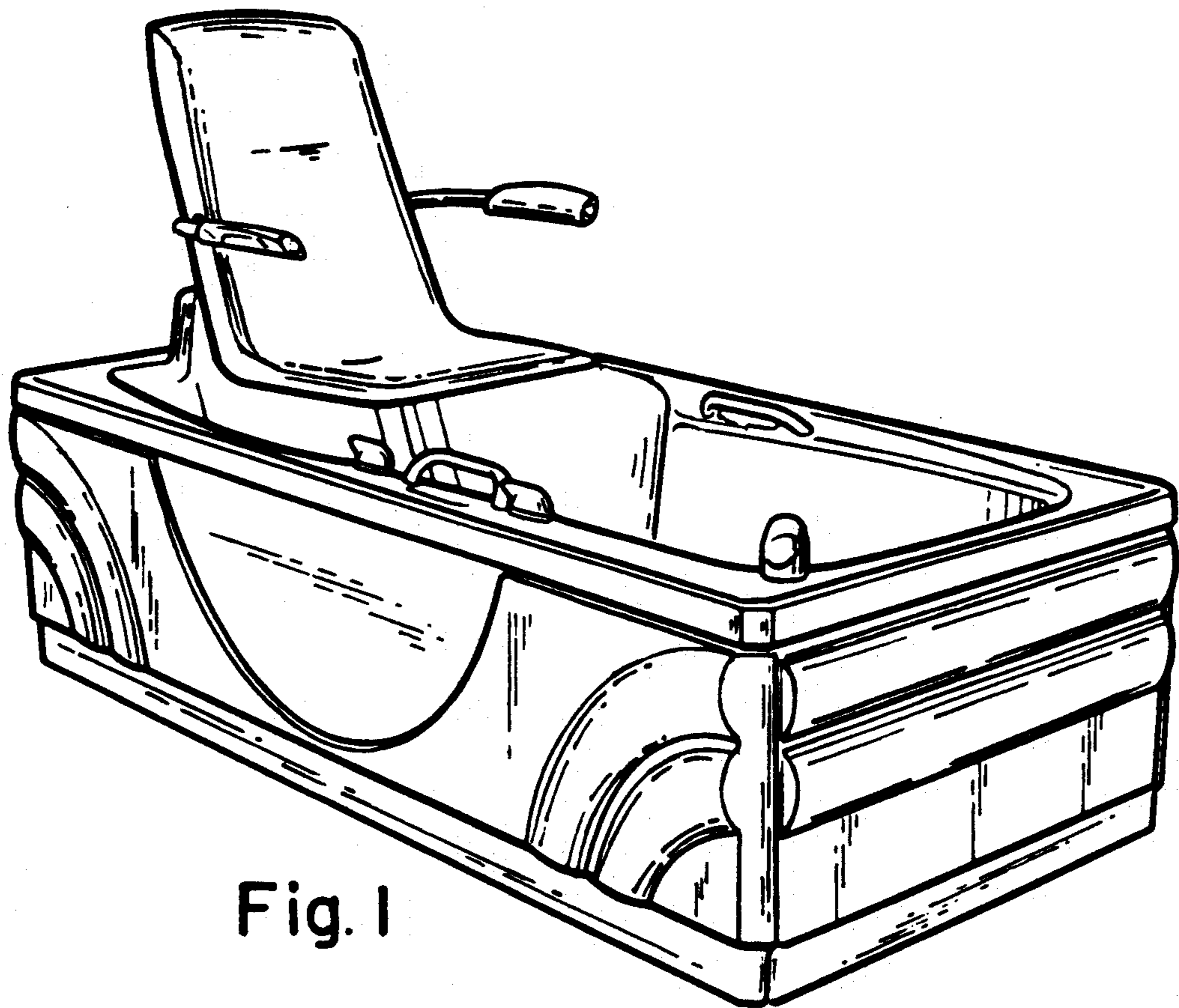
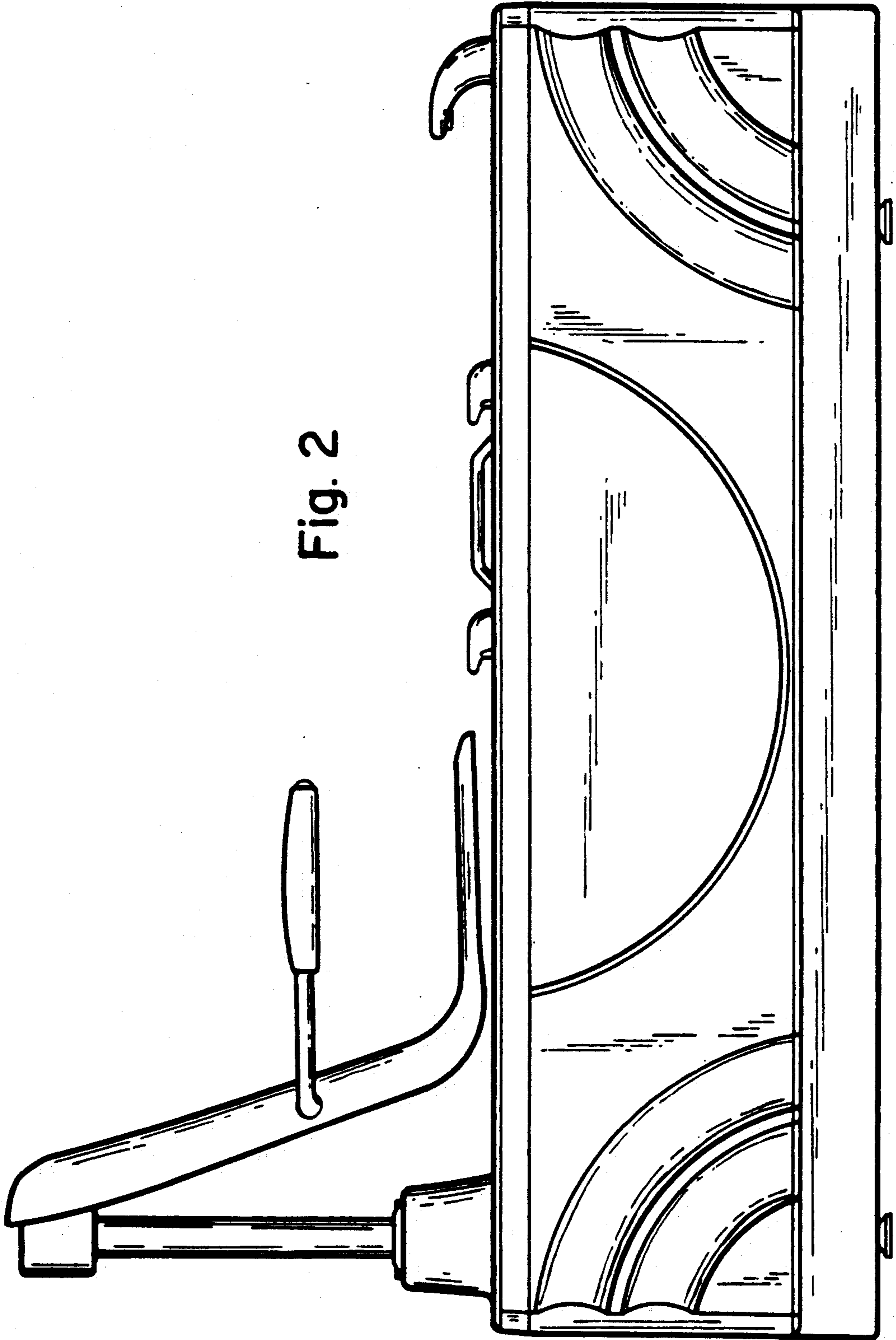


Fig. 1

Fig. 2



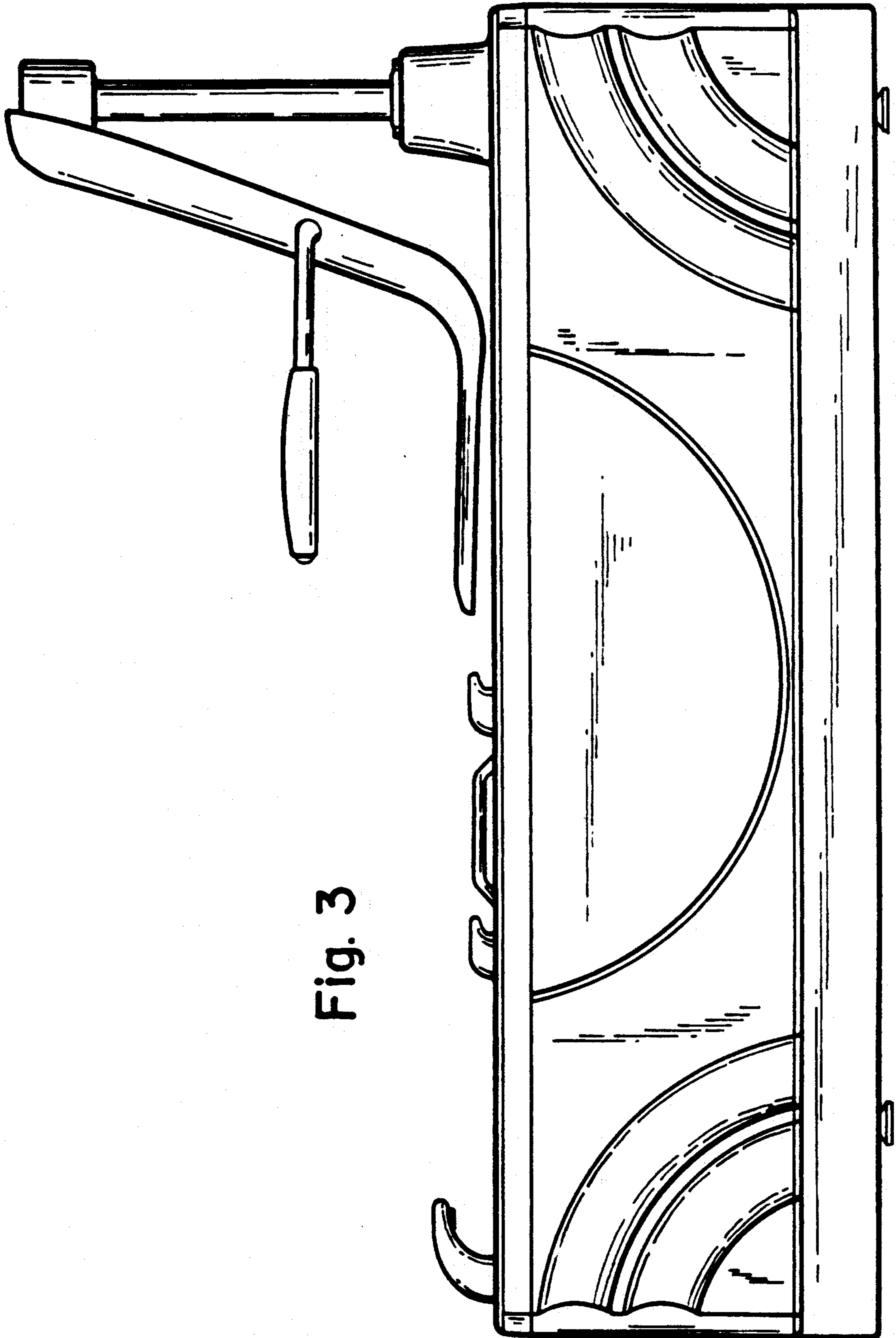


Fig. 3

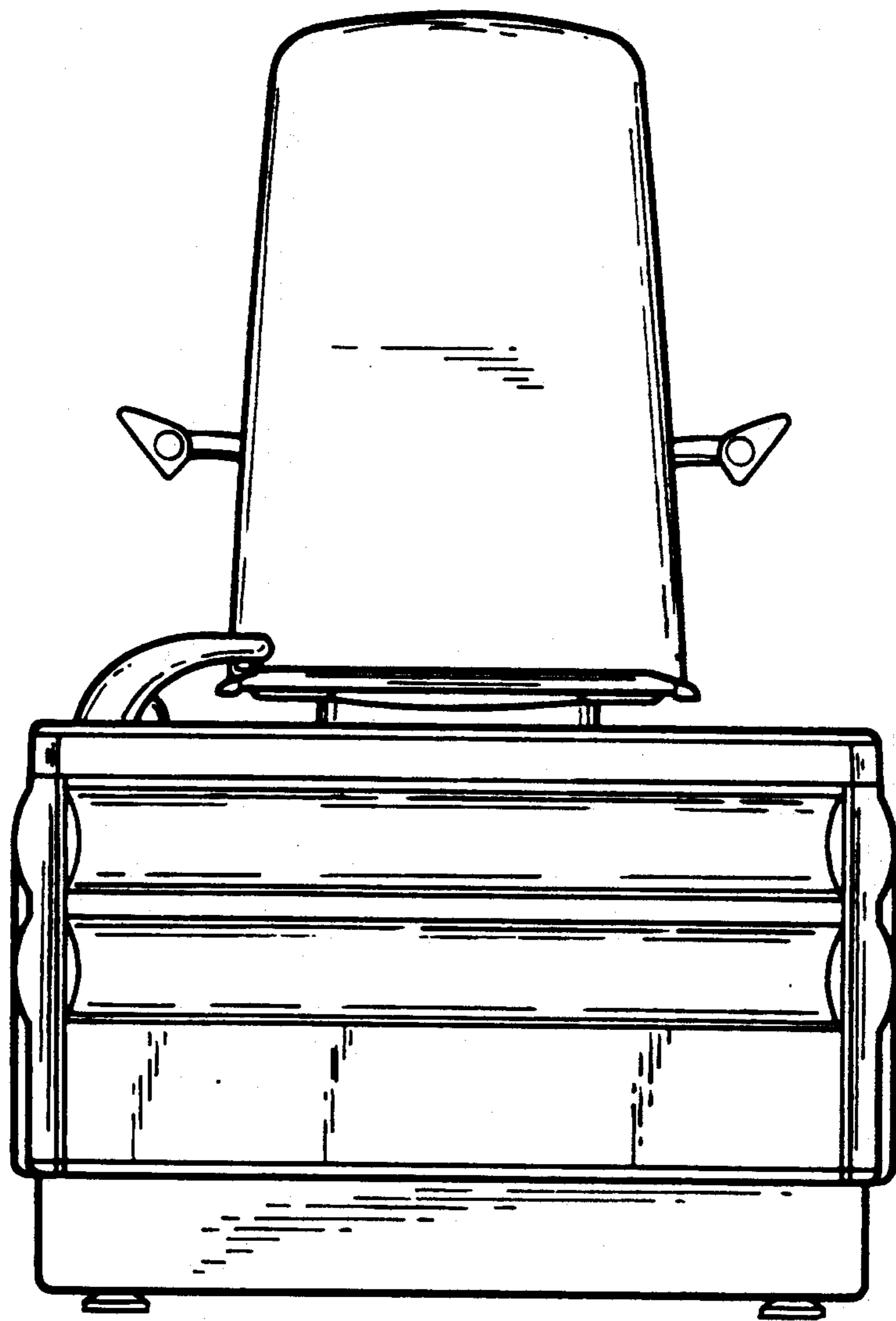


Fig. 4

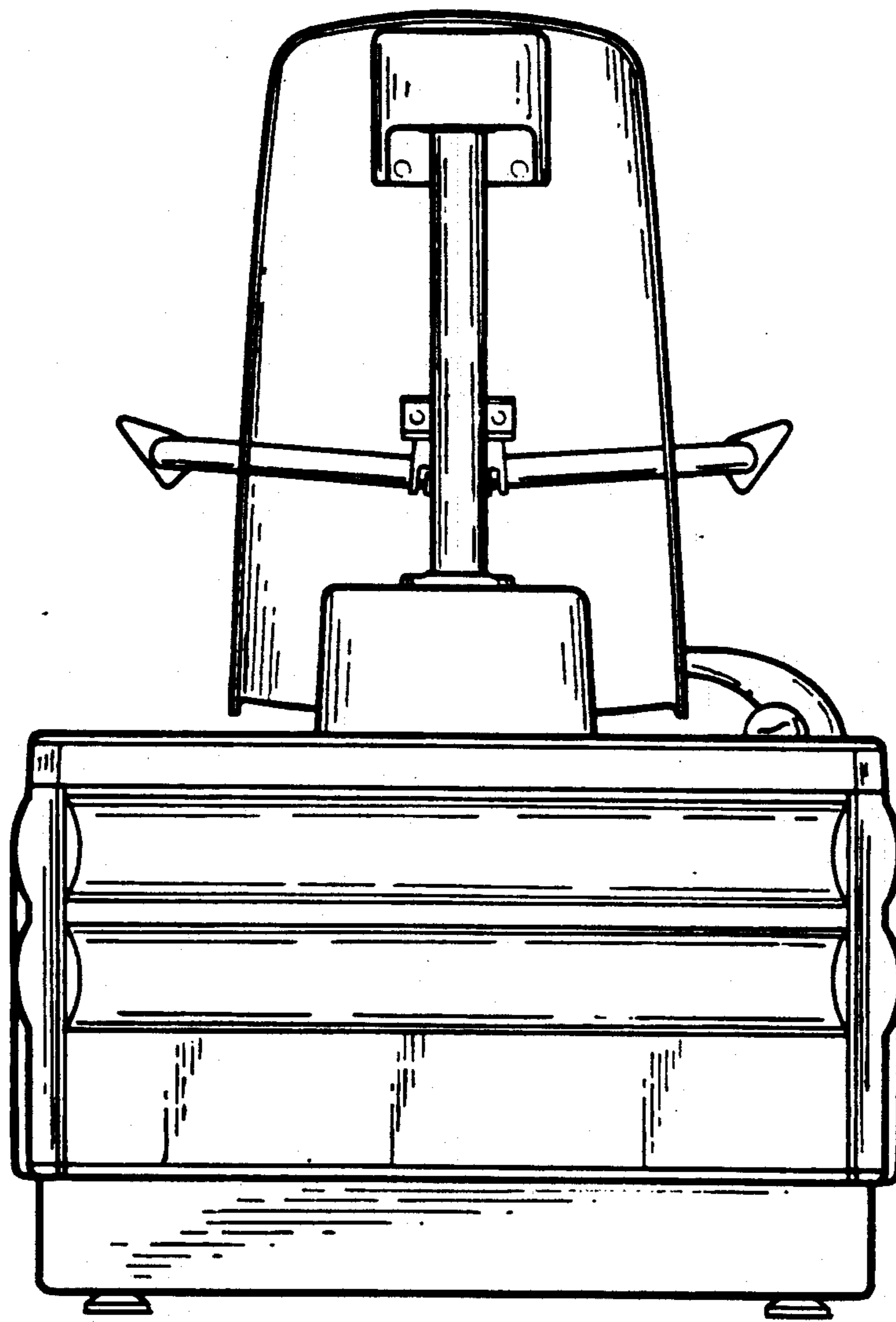


Fig. 5

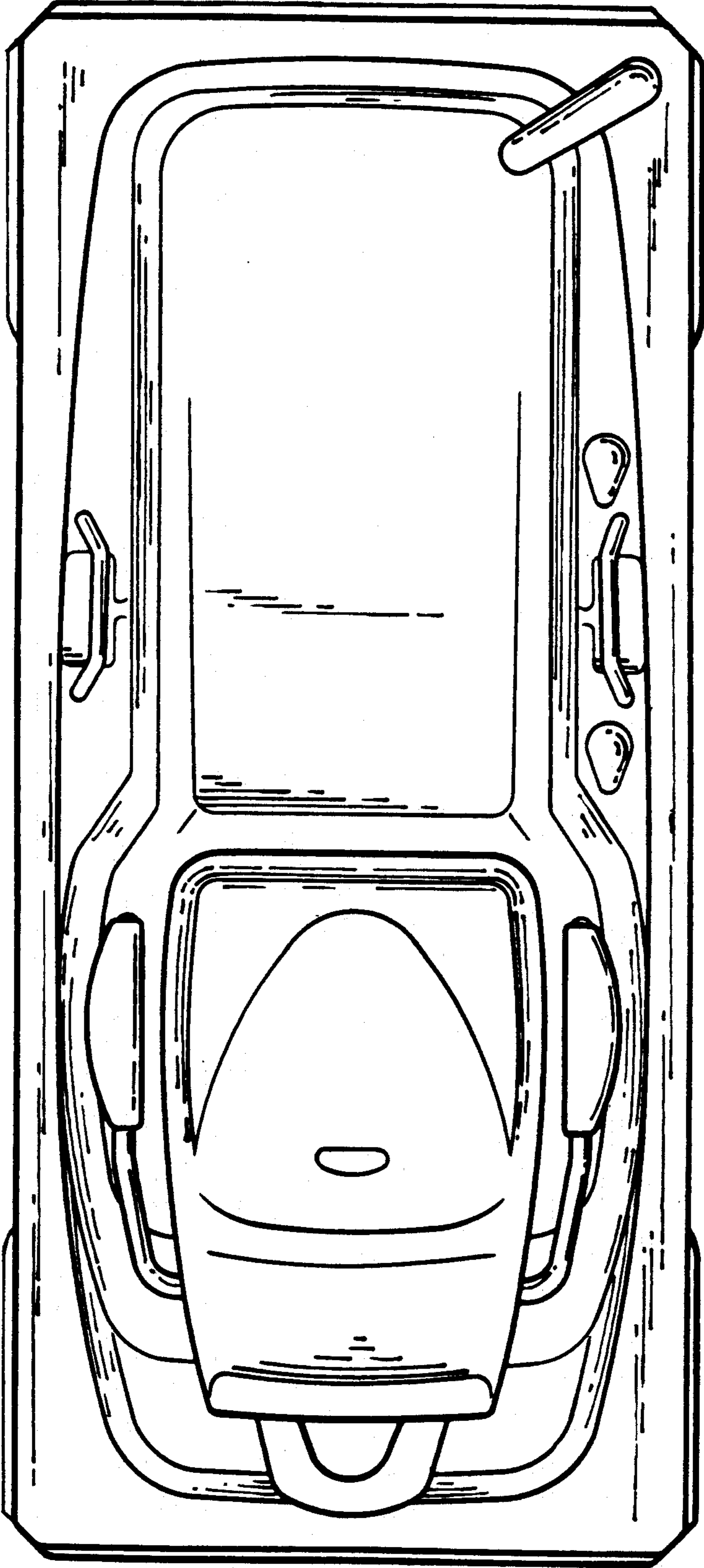


Fig. 6

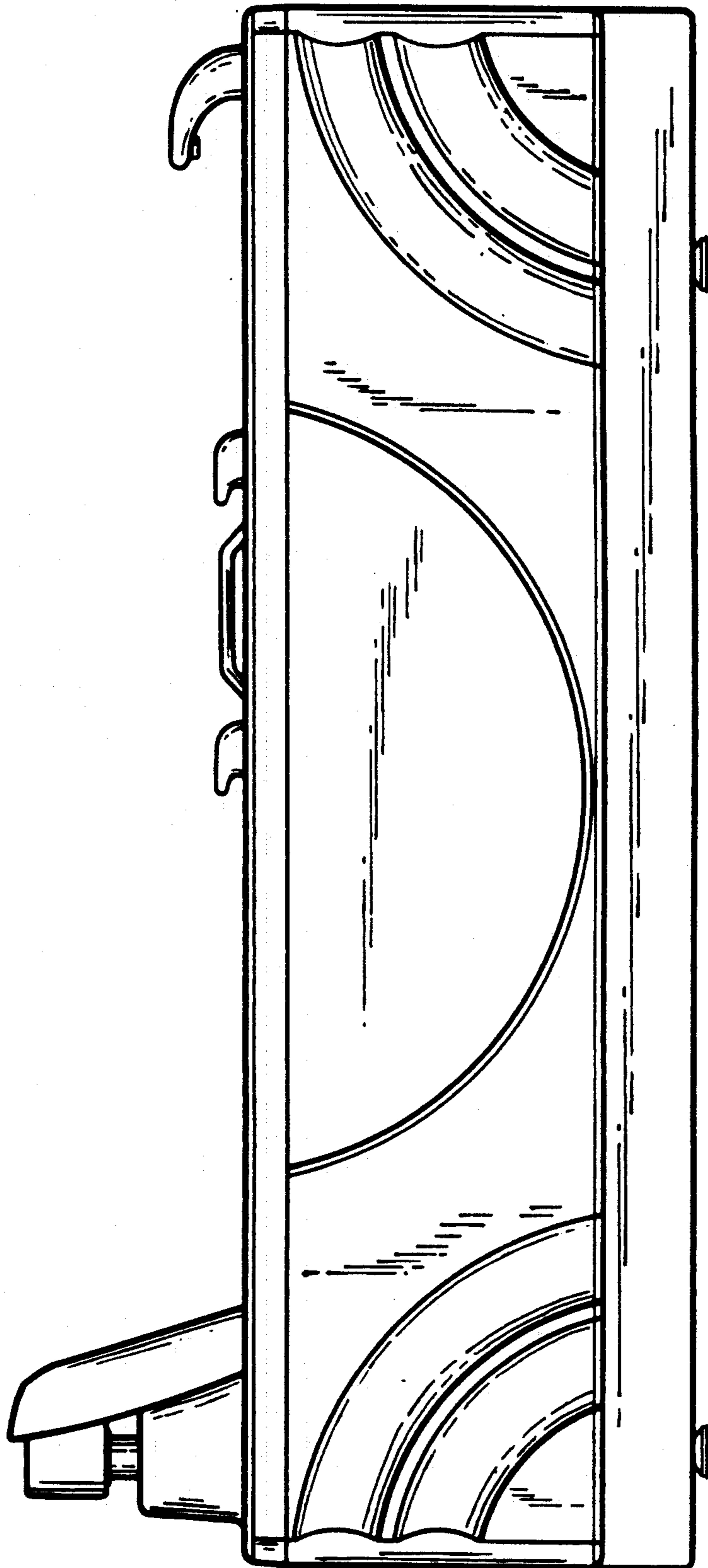


Fig. 7

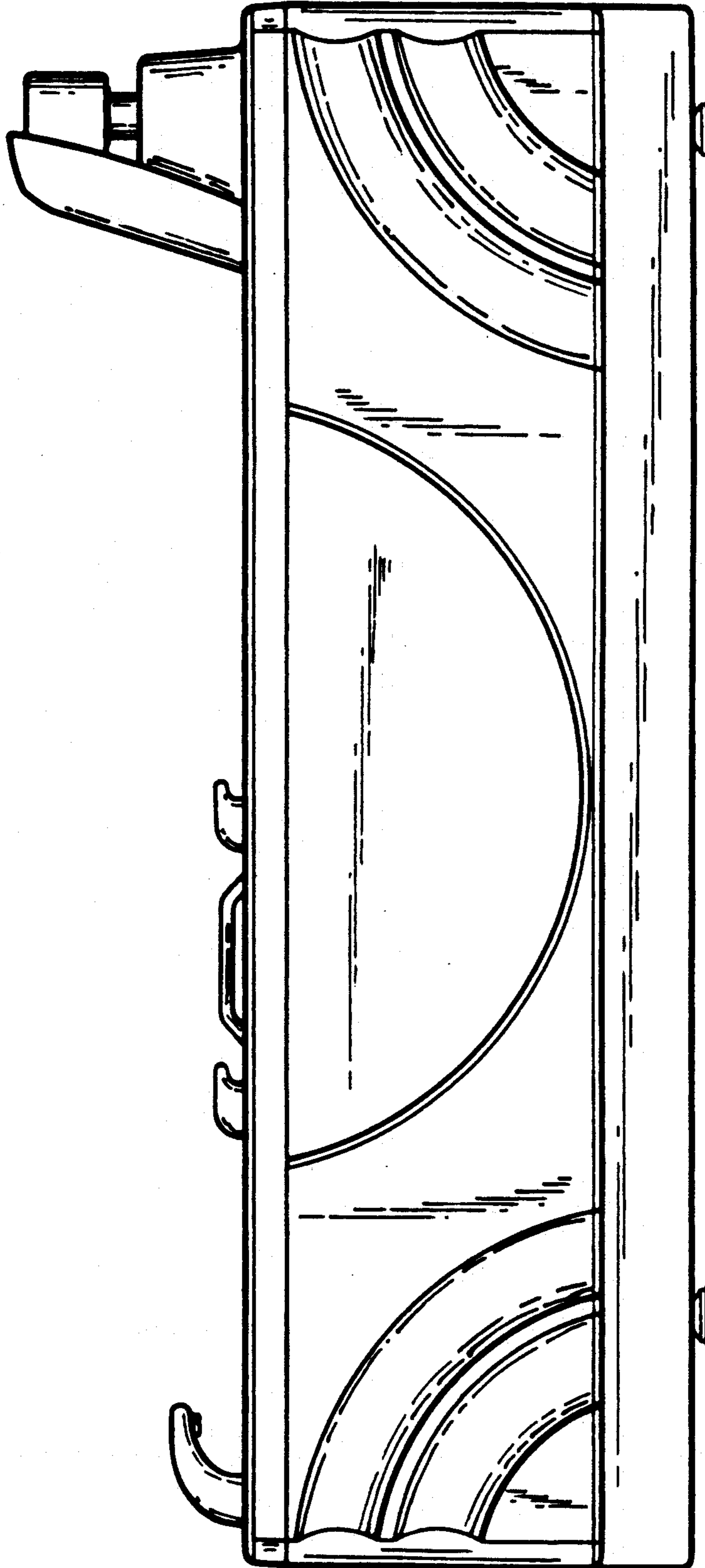


Fig. 8

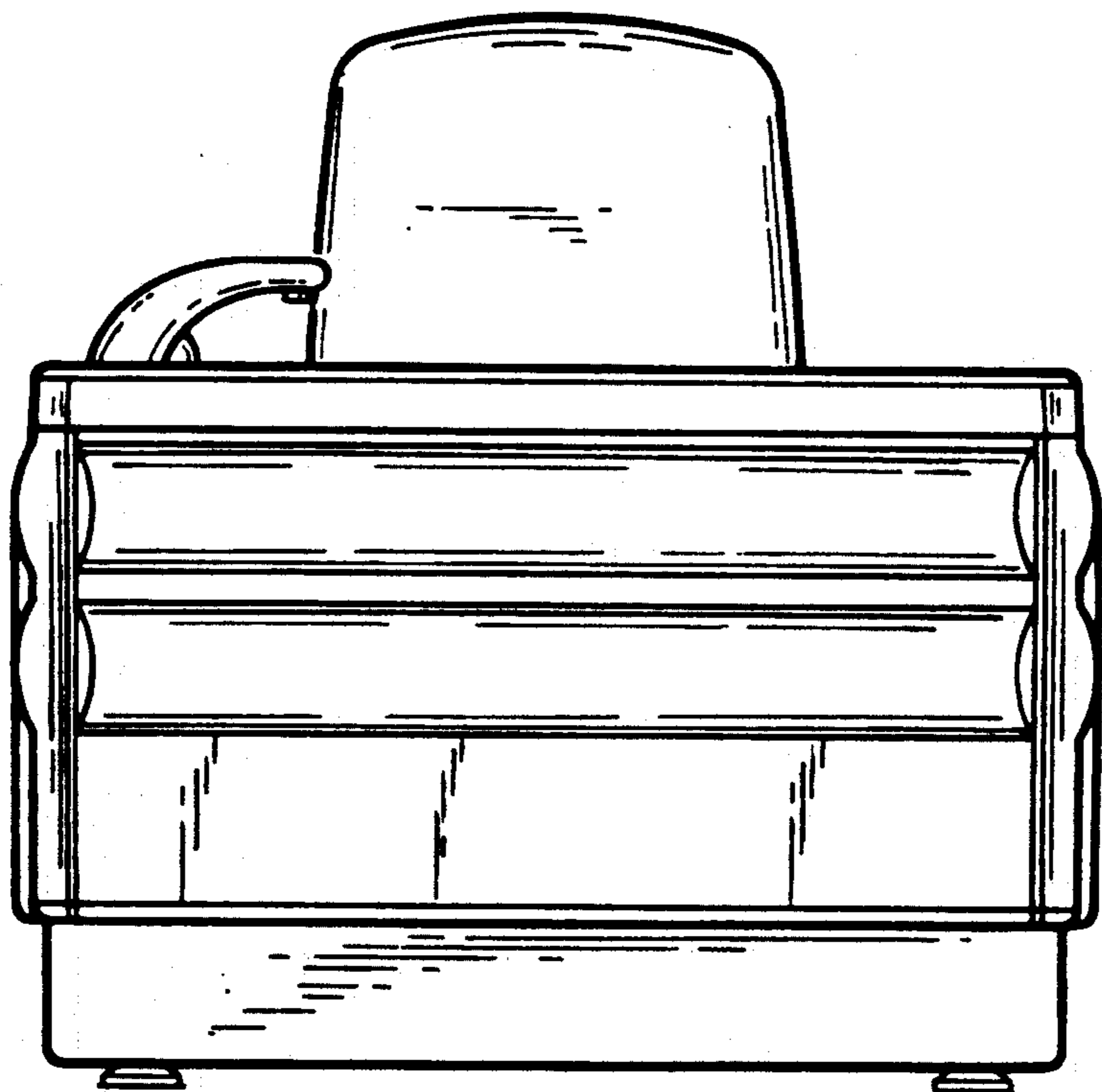


Fig. 9

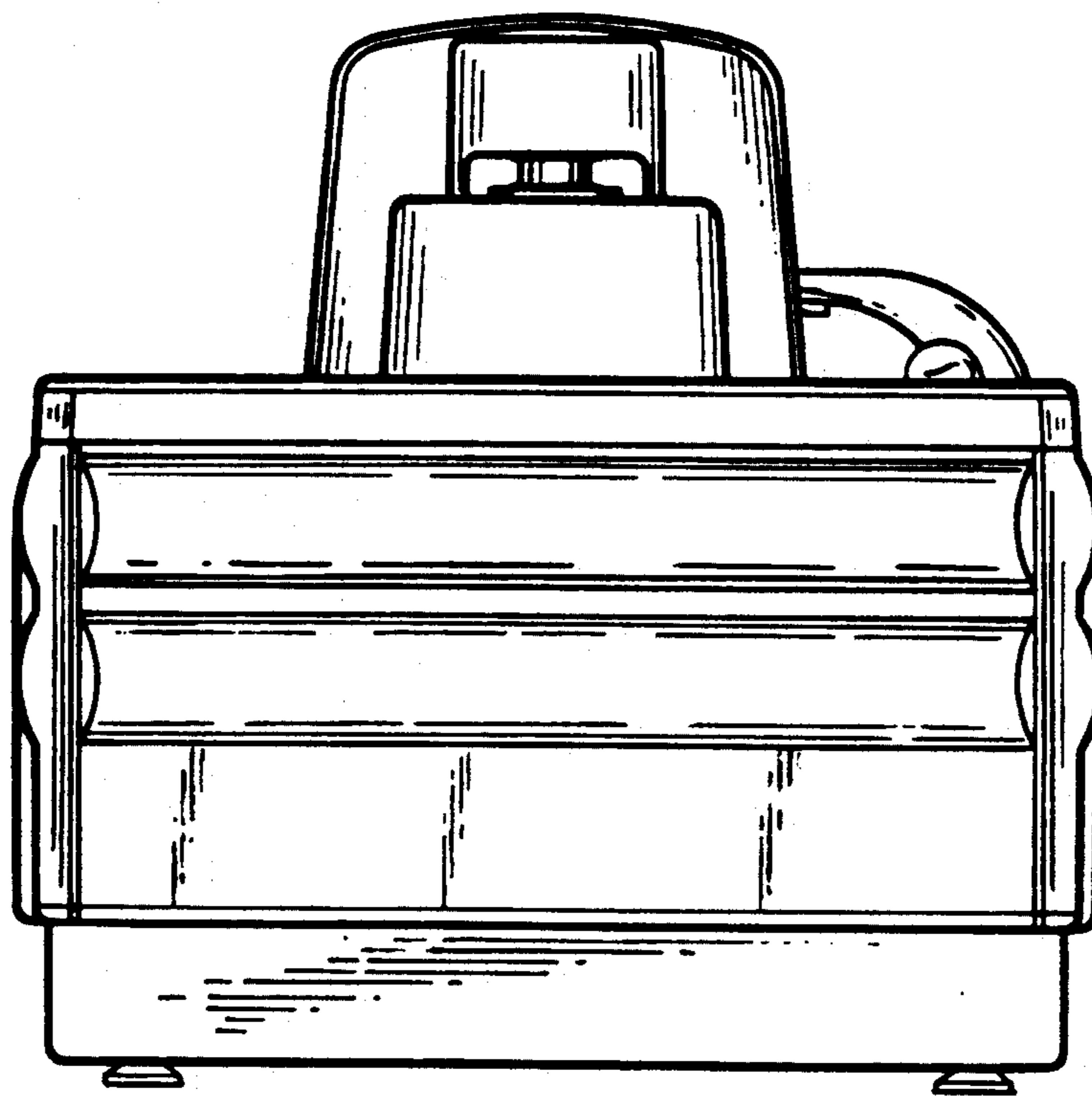


Fig. 10