



US00D338056S

United States Patent [19]

[11] **Patent Number: Des. 338,056**

Holland

[45] **Date of Patent: ** Aug. 3, 1993**

[54] **FISH JIGGER**

FOREIGN PATENT DOCUMENTS

[76] **Inventor: Van W. Holland, 502 Beech St., Cochran, Ga. 31014**

81411 3/1953 Norway D22/134 X

[**] **Term: 14 Years**

*Primary Examiner—A. Hugo Word
Assistant Examiner—Doris V. Coles
Attorney, Agent, or Firm—Leon Gilden*

[21] **Appl. No.: 643,068**

[57] **CLAIM**

[22] **Filed: Jan. 18, 1991**

[52] **U.S. Cl. D22/134**

The ornamental design for a fish jigger, as shown and described.

[58] **Field of Search D22/126, 134; 43/43.13, 43/43.1, 19.2, 26.1**

DESCRIPTION

[56] **References Cited**

U.S. PATENT DOCUMENTS

4,581,840	4/1986	Guith, II	43/19.2 X
4,748,764	6/1988	Hammons	43/43.1
4,798,021	1/1989	Miklos	43/43.13
4,903,428	2/1990	Sluiter et al.	43/43.13
4,932,151	6/1990	Cicha	43/26.1 X
4,951,411	8/1990	Ecker	43/26.1 X
5,084,995	2/1992	Beudoin	43/26.1

FIG. 1 is a front elevational view of the fish jigger showing my new design;
FIG. 2 is a rear elevational view thereof;
FIG. 3 is a left side elevational view thereof;
FIG. 4 is a right side elevational view thereof;
FIG. 5 is a top plan view thereof;
FIG. 6 is a bottom plan view thereof;
FIG. 7 is a front perspective view thereof; and,
FIG. 8 is a rear perspective view thereof.

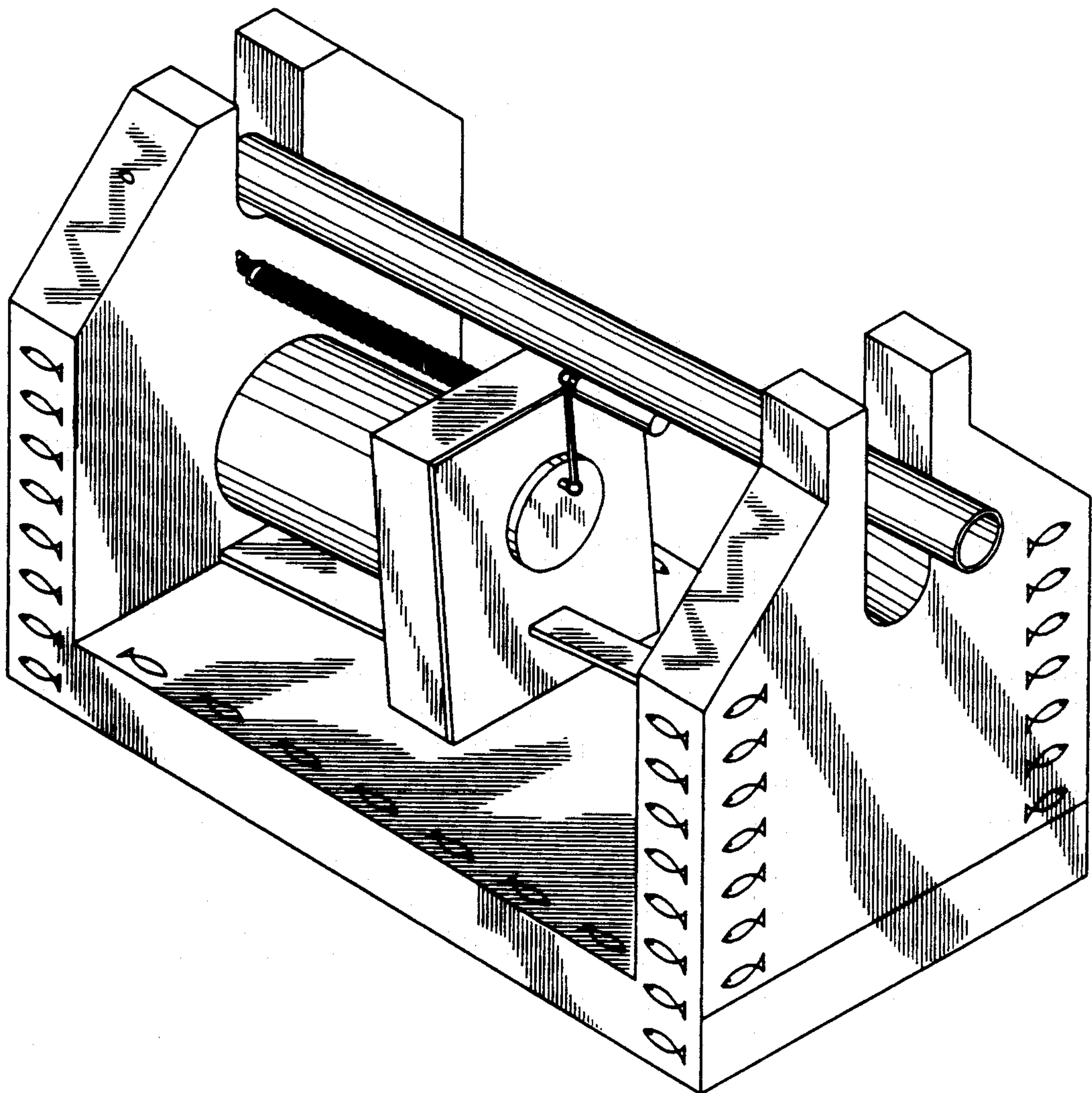


FIG. 1

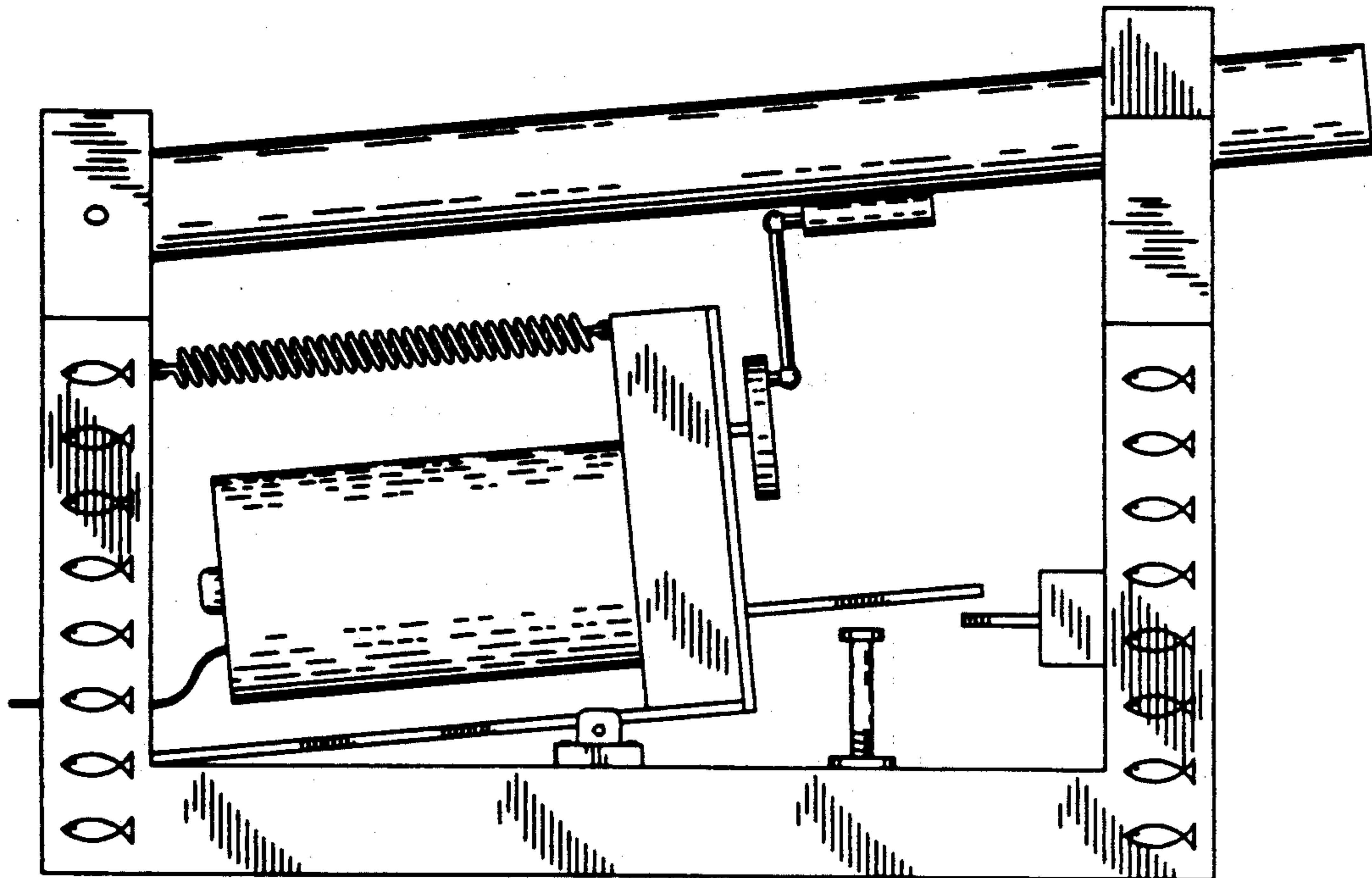


FIG. 2

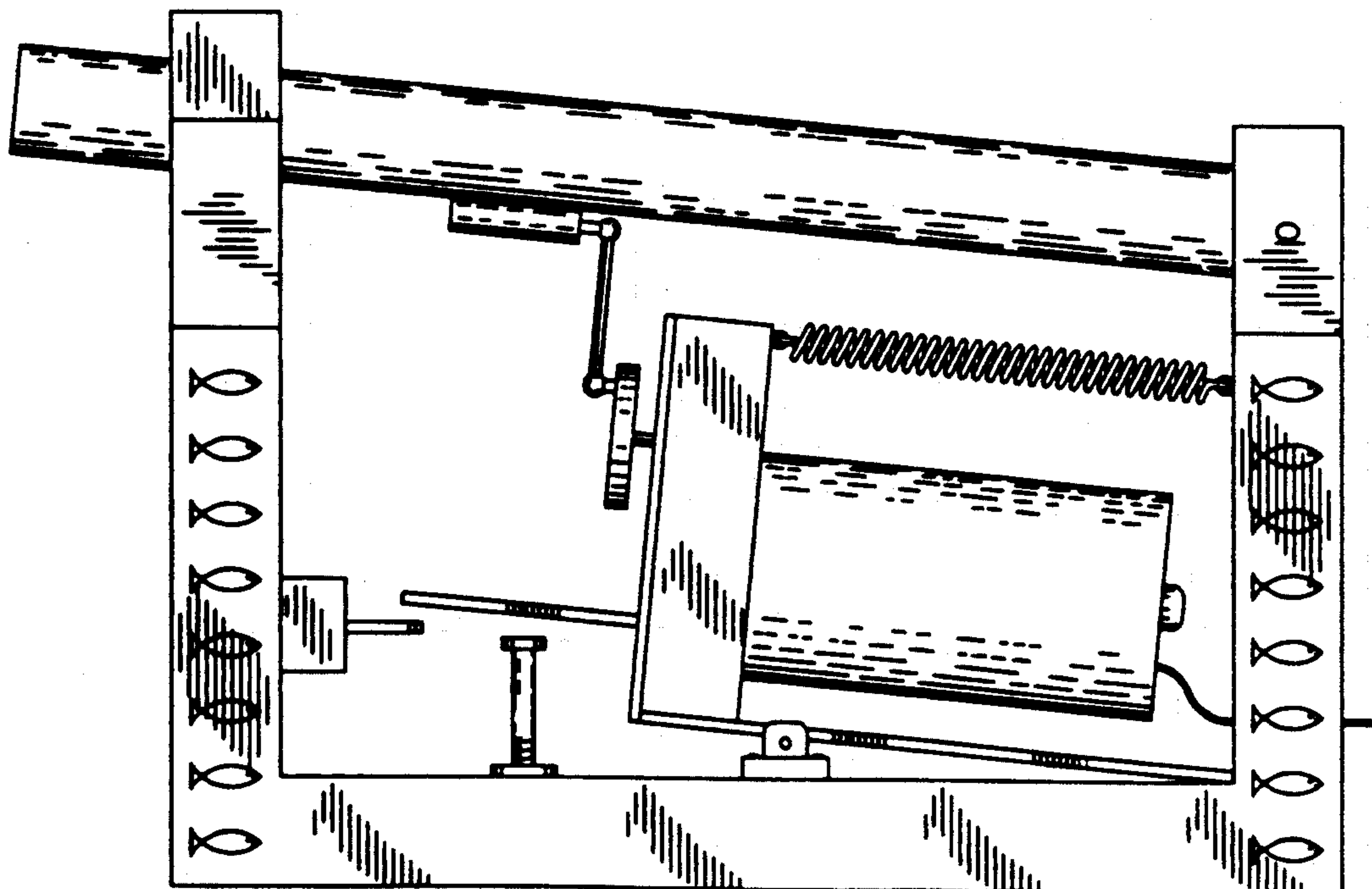


FIG. 3

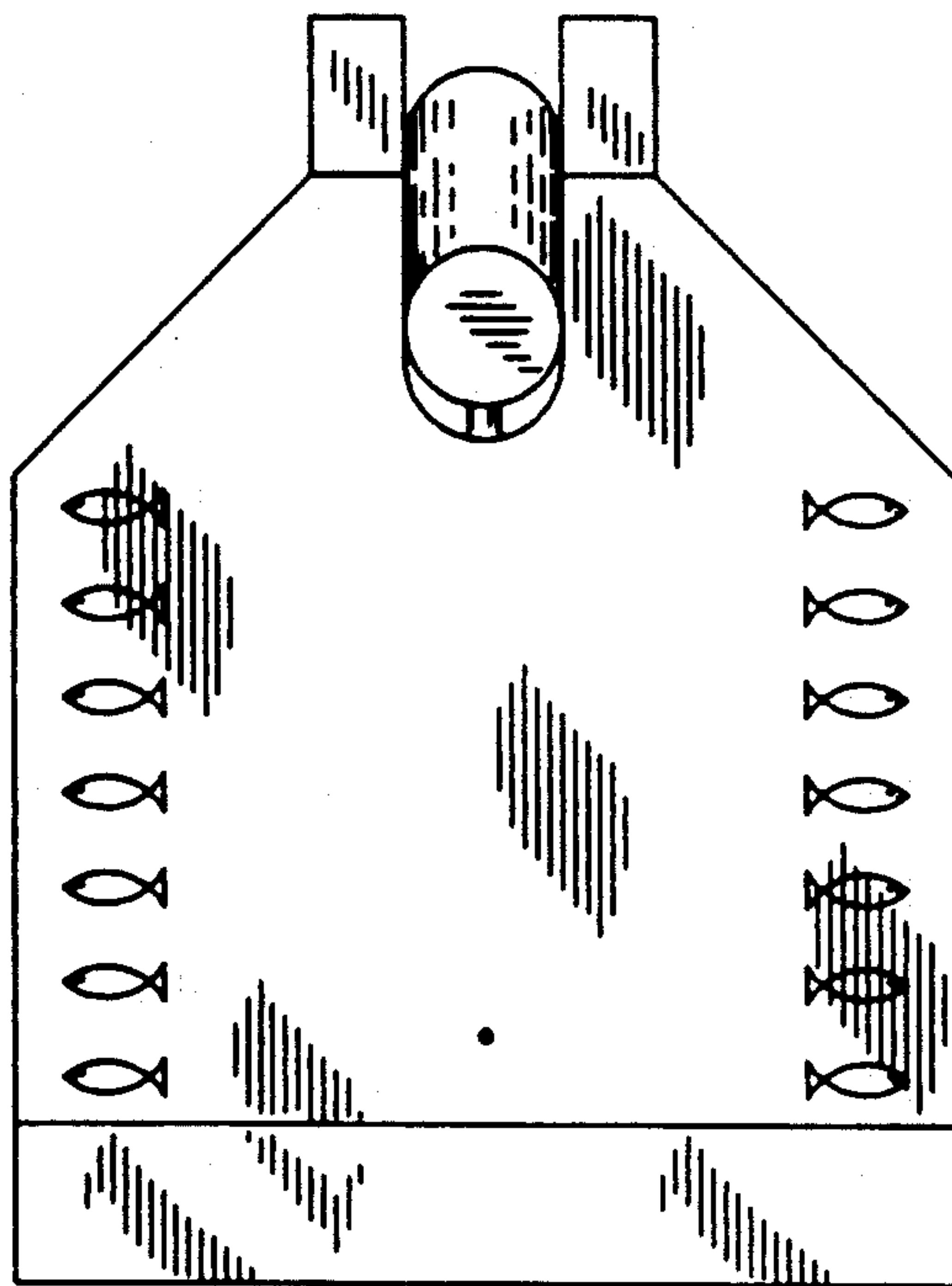


FIG. 4

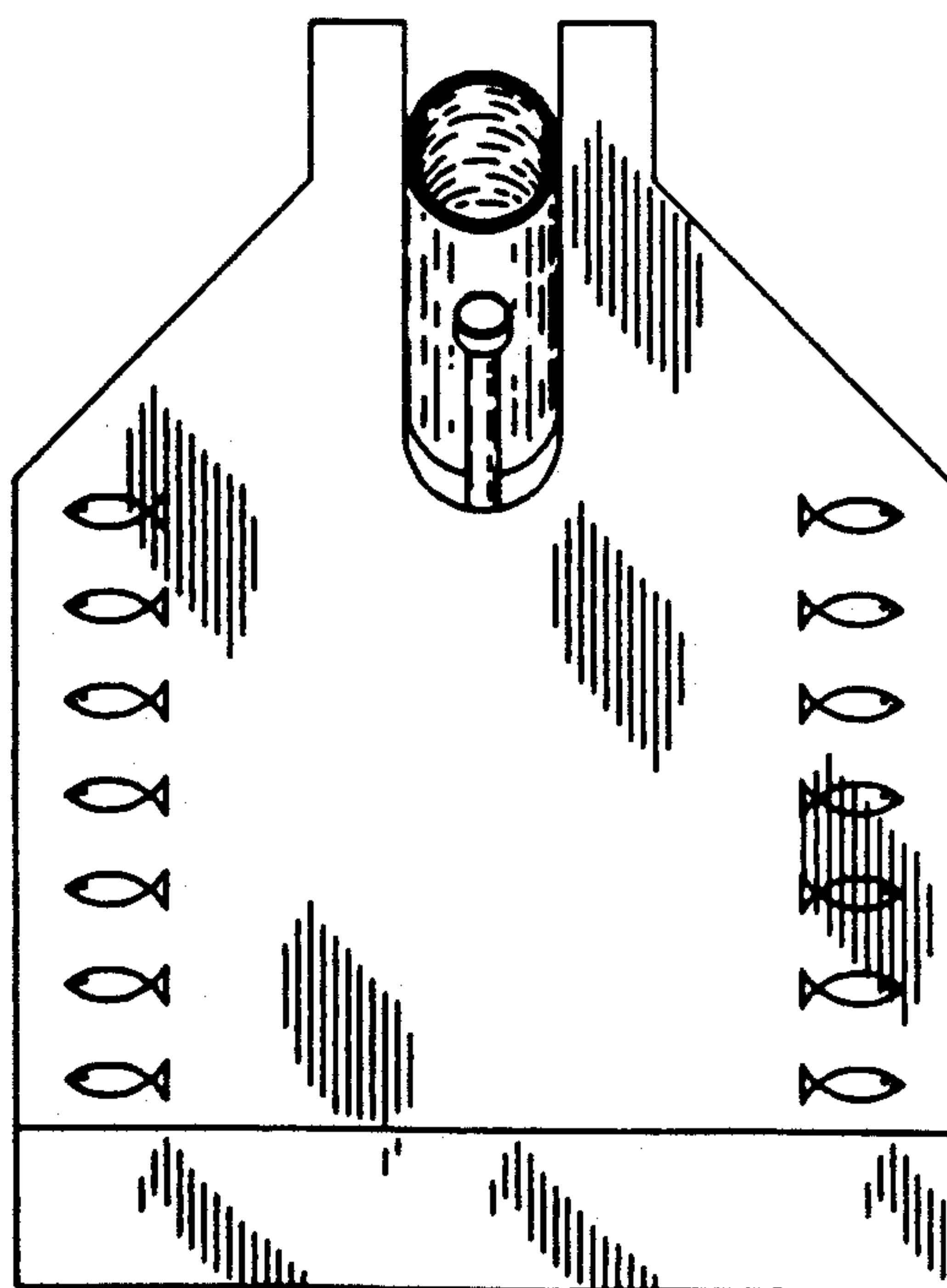


FIG. 5

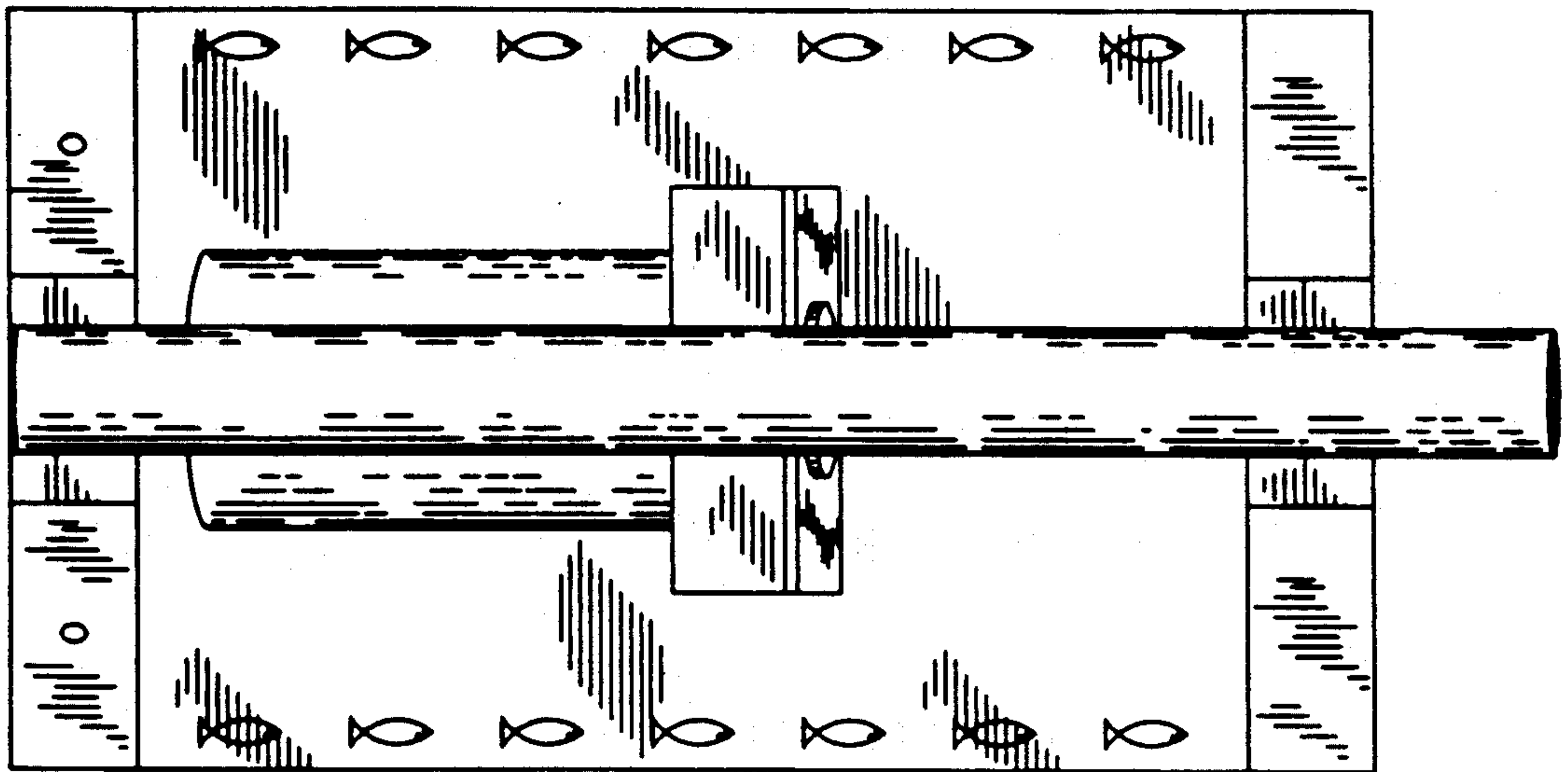


FIG. 6

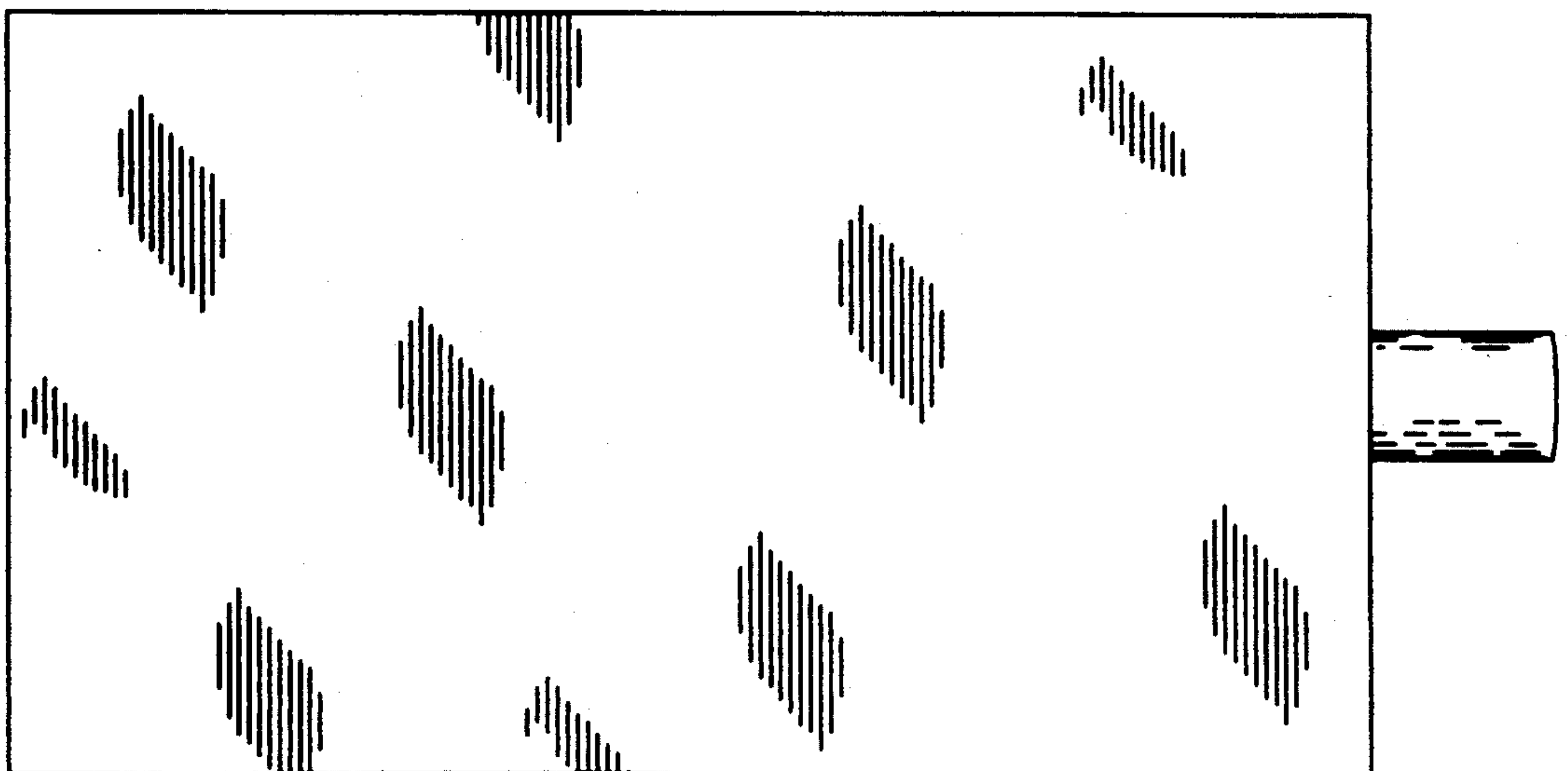


FIG. 7

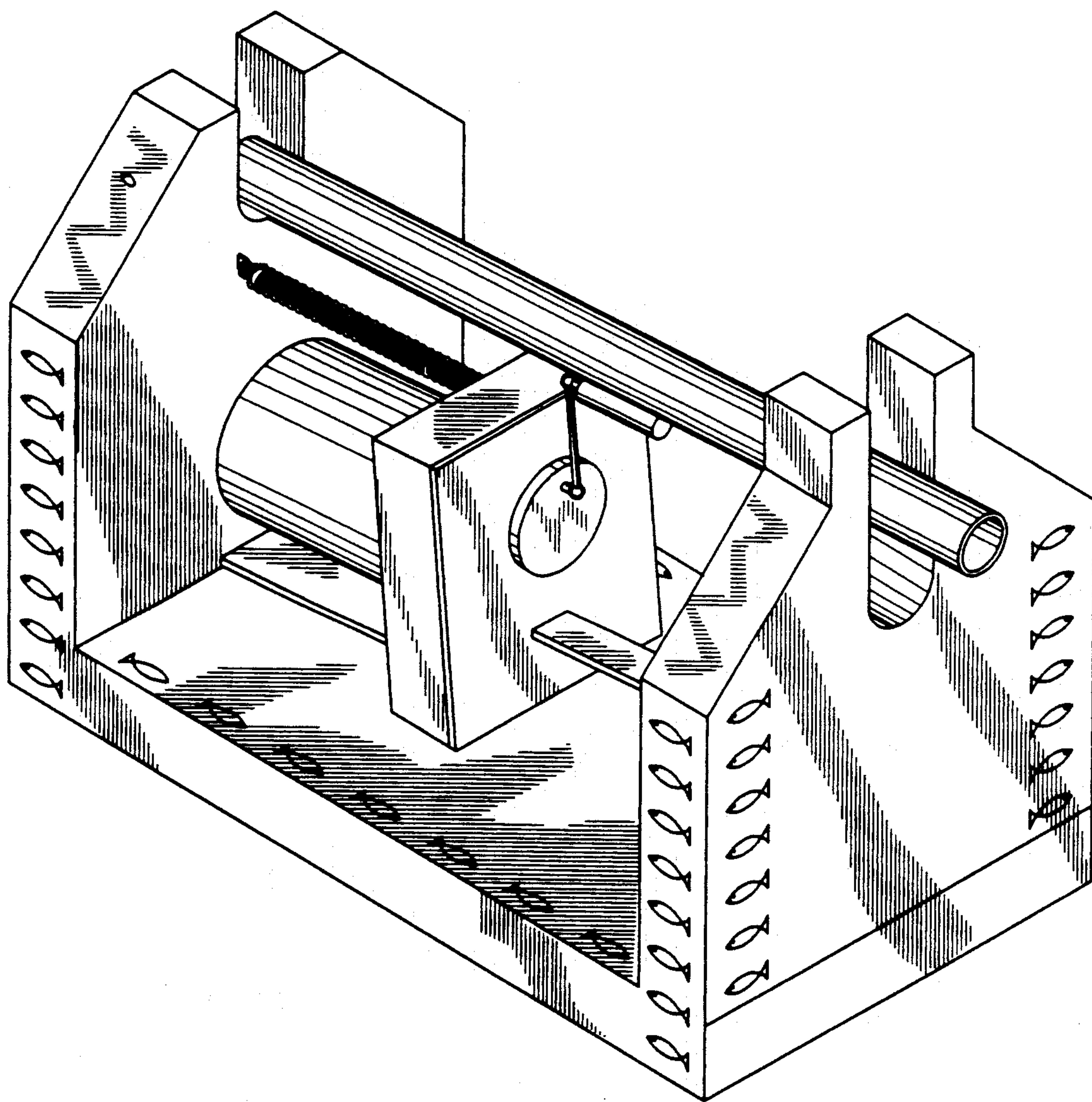


FIG. 8

