



US00D338051S

United States Patent [19]
Holmes

[11] **Patent Number: Des. 338,051**
[45] **Date of Patent: ** Aug. 3, 1993**

[54] **CONSOLE FOR PROVIDING VIRTUAL REALITY ENVIRONMENTS**

[75] **Inventor: Richard Holmes, Nuneaton, United Kingdom**

[73] **Assignee: W Industries Limited, Leicester, United Kingdom**

[**] **Term: 14 Years**

[21] **Appl. No.: 673,520**

[22] **Filed: Mar. 22, 1991**

[30] **Foreign Application Priority Data**

Oct. 9, 1990 [GB] United Kingdom 2010121
[52] **U.S. Cl. D21/240; D21/250**
[58] **Field of Search D19/60; D21/13, 240, D21/247, 250; 273/85 R, 85 G, 150, 431, 434, 148 B**

[56] **References Cited**

U.S. PATENT DOCUMENTS

D. 250,550 12/1978 Reverchon D21/250
D. 266,097 9/1982 Klawitter D19/63

D. 267,185 12/1982 Reverchon D21/250
D. 283,527 4/1986 Funai D21/13
D. 287,032 12/1986 Funai D21/240
D. 318,073 7/1991 Jung D21/13
5,137,450 8/1992 Thomas 273/434

OTHER PUBLICATIONS

Palythings, Dec. 1990, p. 39, The Power 10 Hotseat.
Vending Times, May 1979, p. 76, The Atari Night Driver.

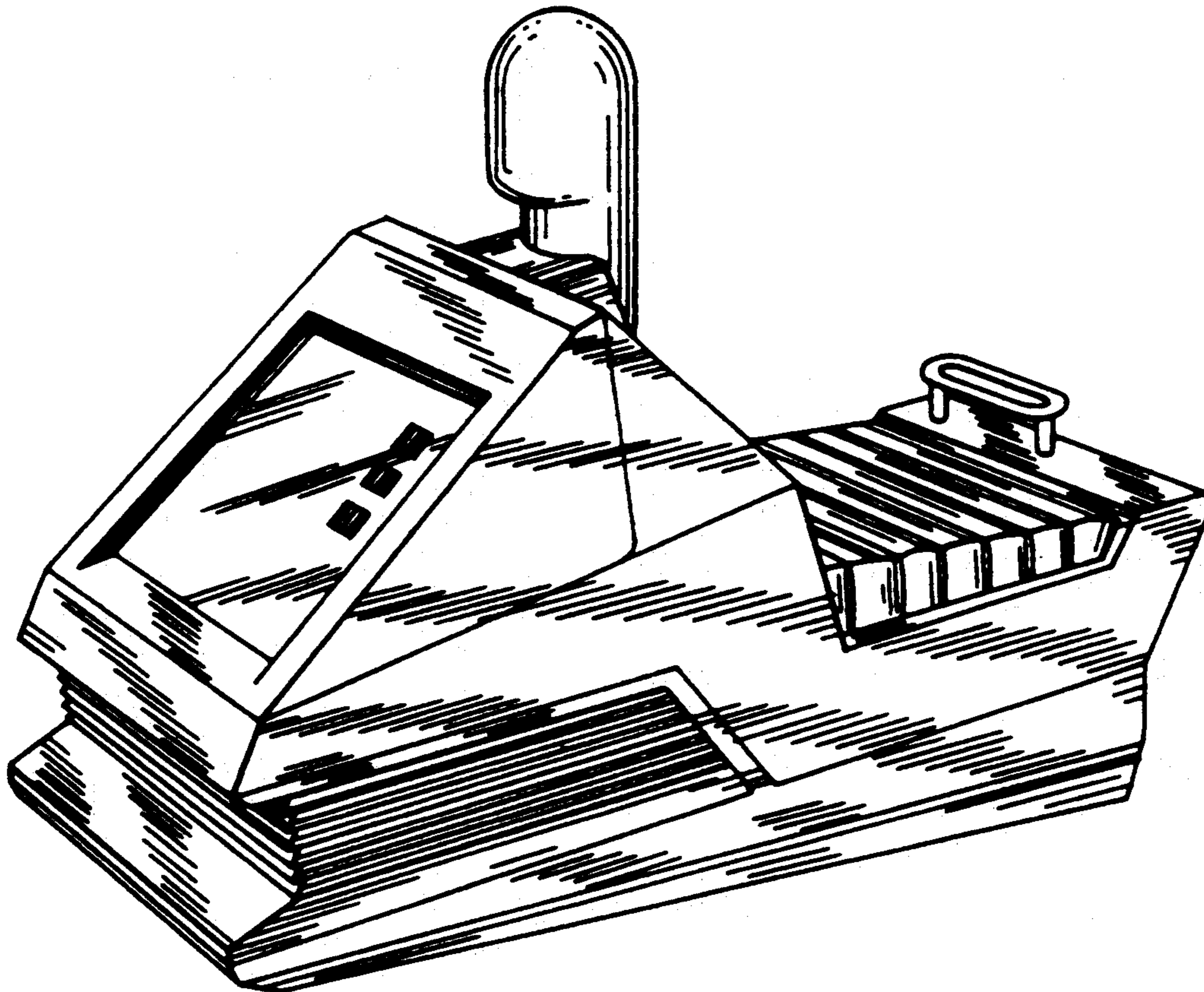
Primary Examiner—Wallace R. Burke
Assistant Examiner—Melody Brown
Attorney, Agent, or Firm—Young & Thompson

[57] **CLAIM**

The ornamental design for a console for providing virtual reality environments, as shown and described.

DESCRIPTION

FIG. 1 is a left side elevational view of a console for providing virtual reality environments showing my new design;
FIG. 2 is a front and left side perspective view thereof; and,
FIG. 3 is a top, rear, right side perspective view thereof.



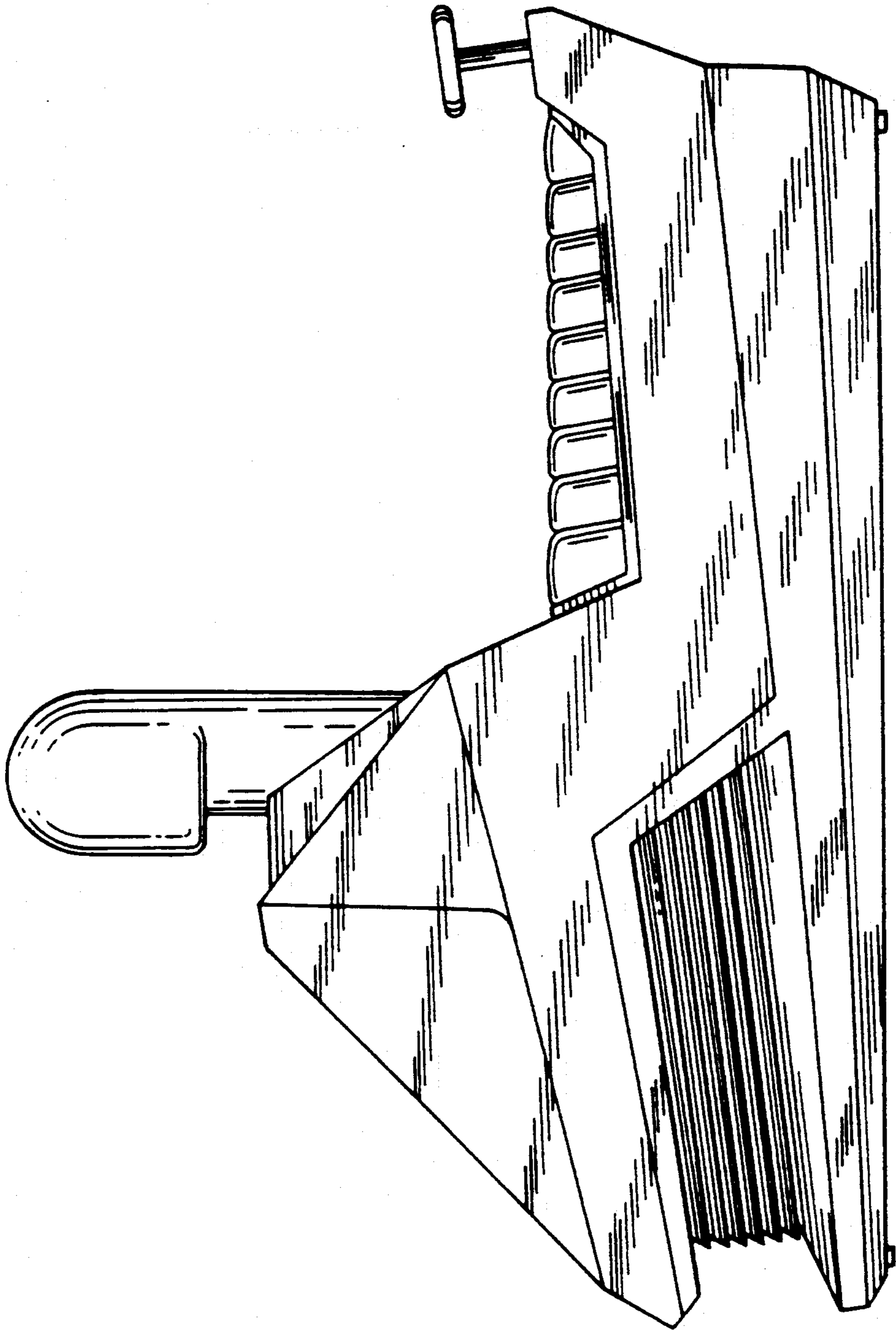


Fig.1

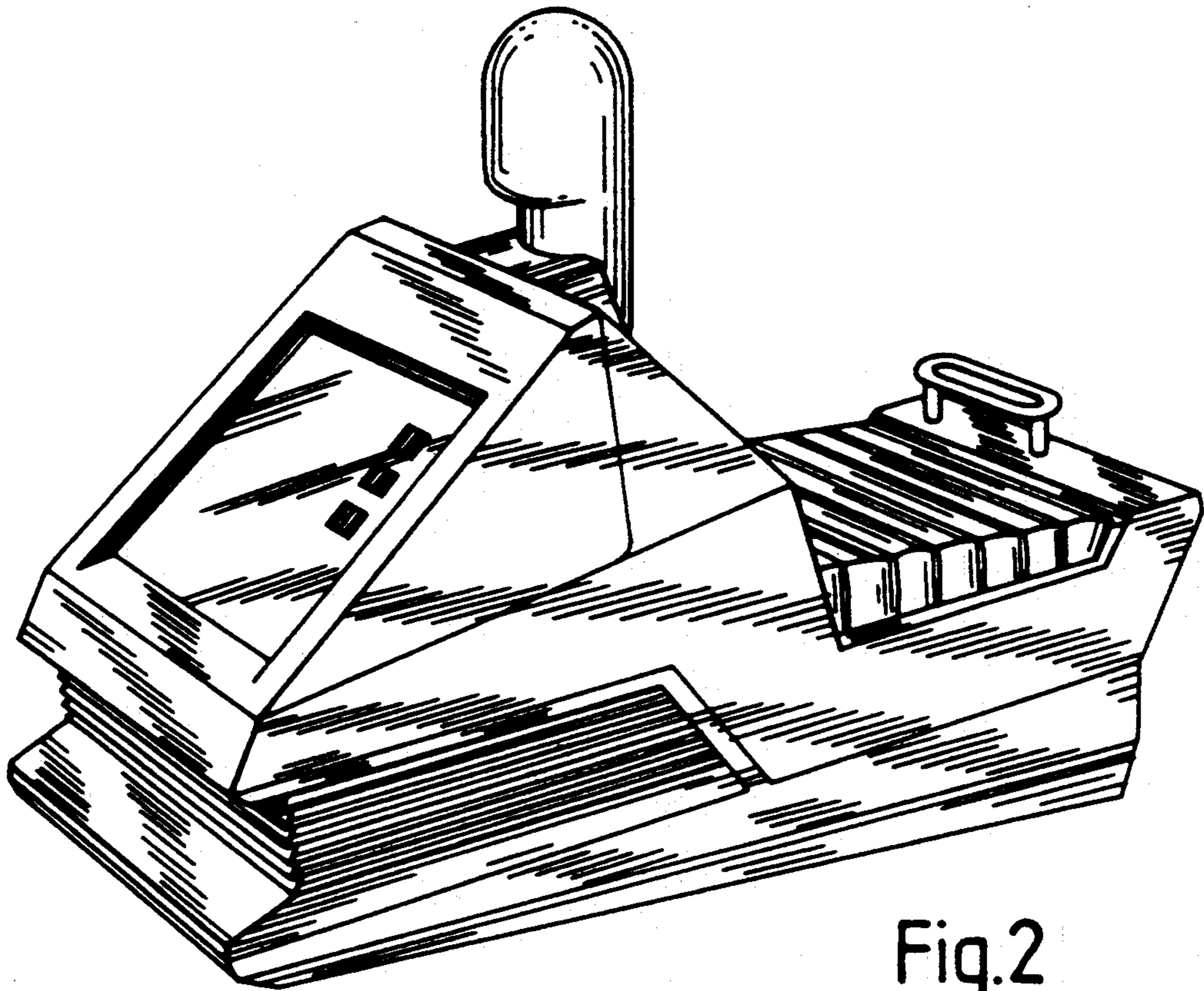


Fig. 2

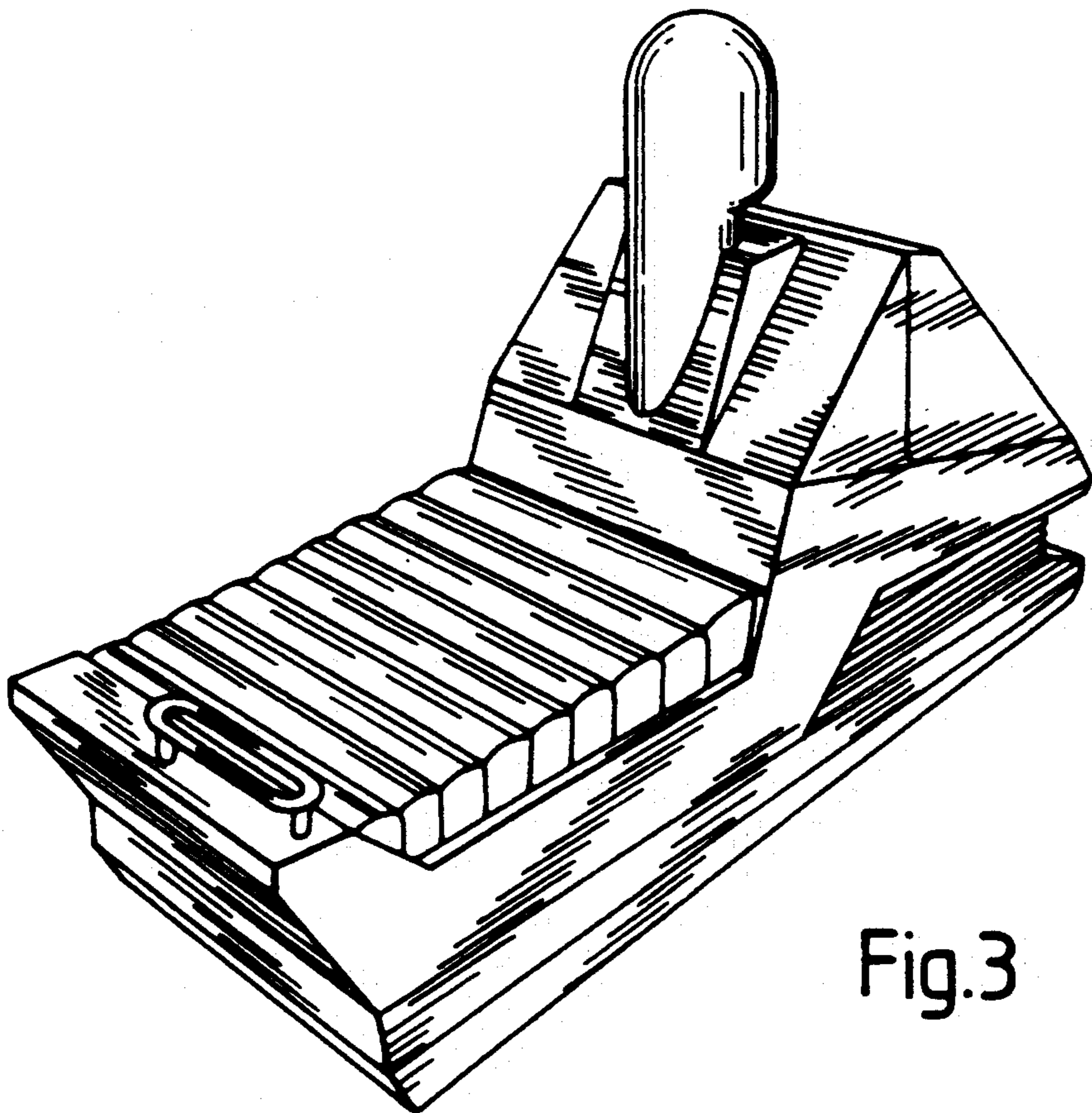


Fig. 3