



US00D338049S

United States Patent [19]
Scheurer

[11] **Patent Number: Des. 338,049**
[45] **Date of Patent: ** Aug. 3, 1993**

[54] **POOL FLOAT**

[76] **Inventor: Robert S. Scheurer, 1627 Midwestern Pkwy., Wichita Falls, Tex. 76302**

[**] **Term: 14 Years**

[21] **Appl. No.: 810,013**

[22] **Filed: Dec. 18, 1991**

[52] **U.S. Cl. D21/237**

[58] **Field of Search D21/236, 237; 441/129, 441/130, 131, 132; D6/601, 596**

[56] **References Cited**

U.S. PATENT DOCUMENTS

- D. 303,560 9/1989 Scheurer D21/237
- D. 306,472 3/1990 Scheurer D21/237
- D. 306,473 3/1990 Scheurer D21/237
- D. 306,474 3/1990 Scheurer D21/237

D. 309,169 7/1990 Scheurer D21/237

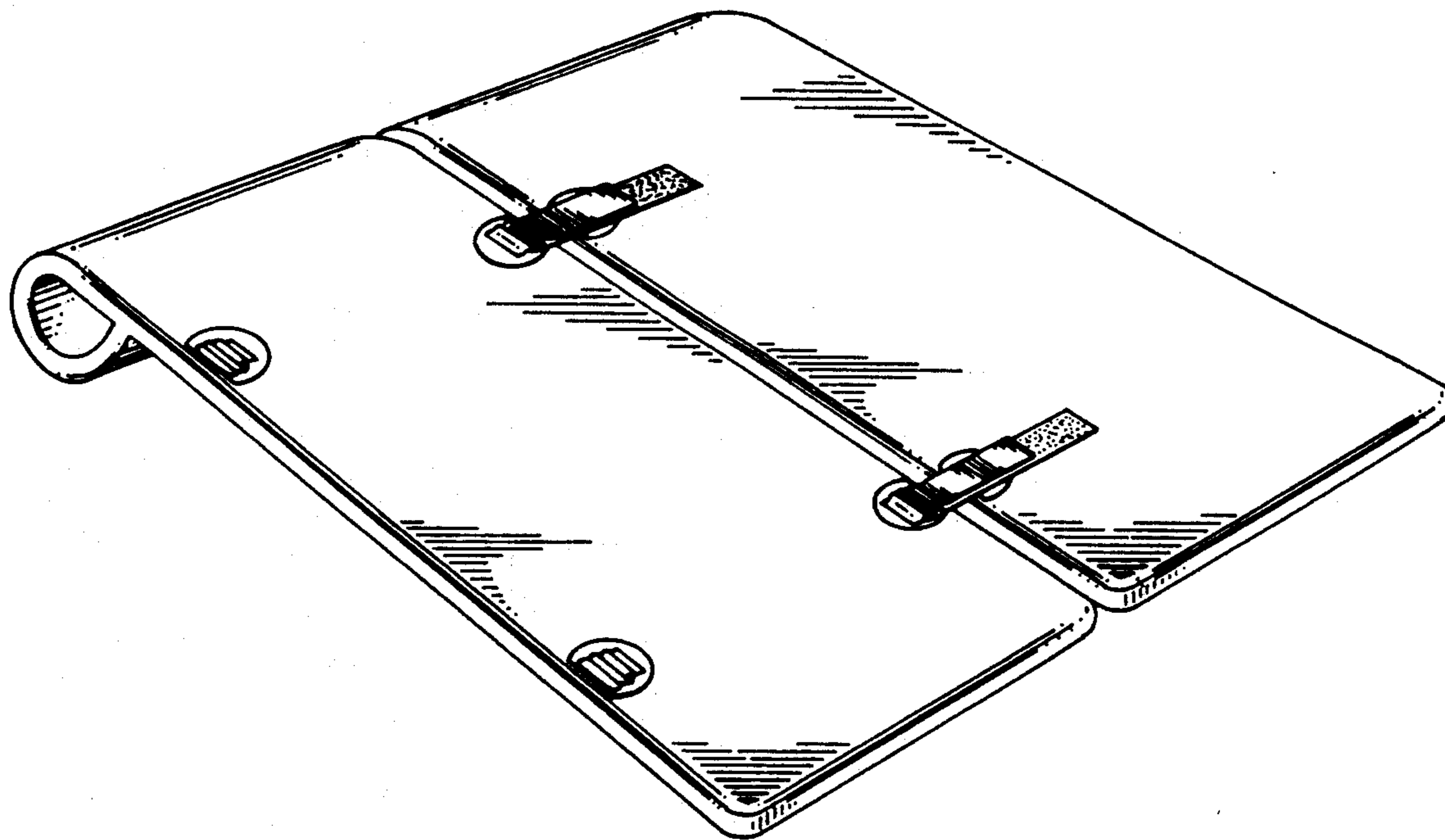
Primary Examiner—Kay H. Chin
Attorney, Agent, or Firm—Dennis T. Griggs

[57] **CLAIM**

The ornamental design for a pool float, as shown and described.

DESCRIPTION

FIG. 1 is a top perspective view of a pool float which illustrates my new design;
 FIG. 2 is a bottom perspective view thereof;
 FIG. 3 is a left side elevational view thereof, the right side elevational view being a mirror image of that shown;
 FIG. 4 is a front elevational view thereof;
 FIG. 5 is a rear elevational view thereof; and,
 FIG. 6 is a top plan view thereof.



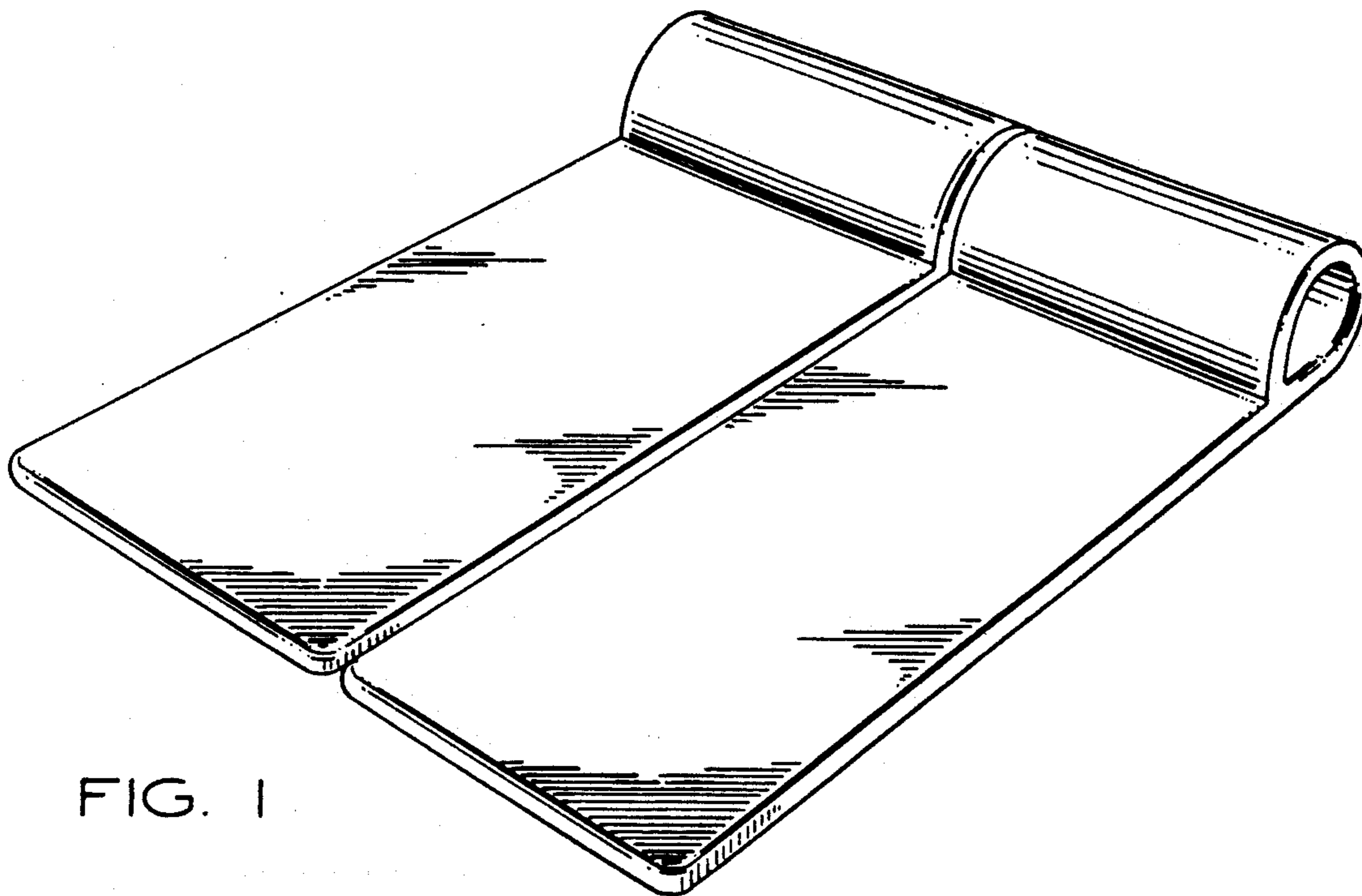


FIG. 1

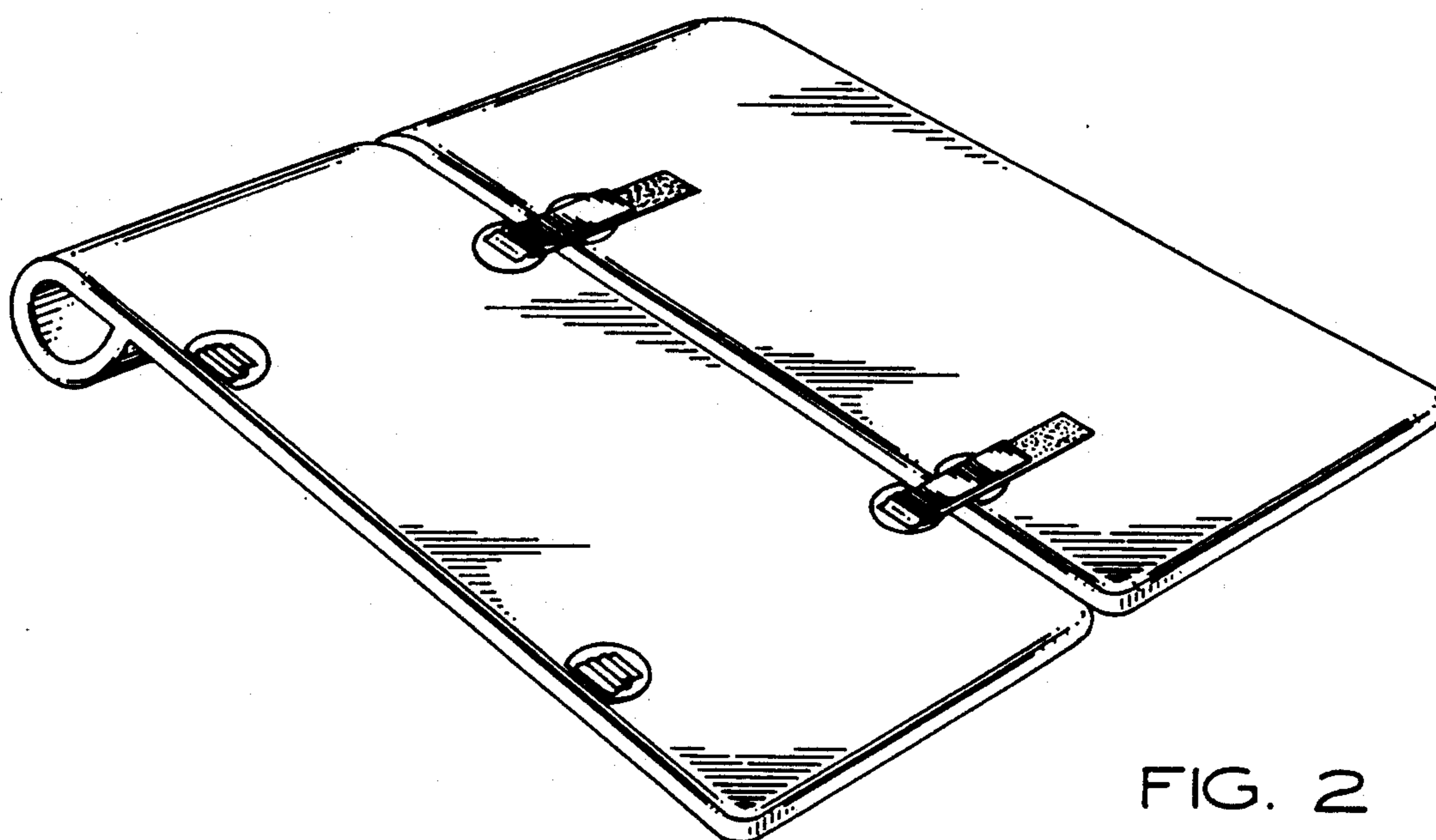


FIG. 2

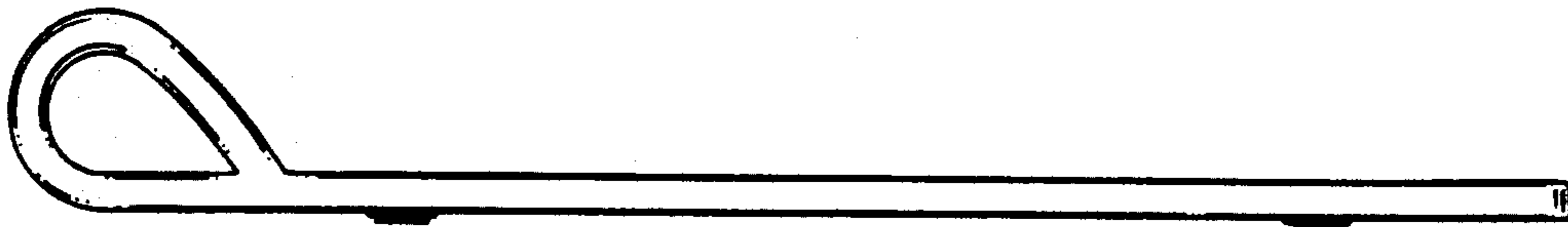


FIG. 3

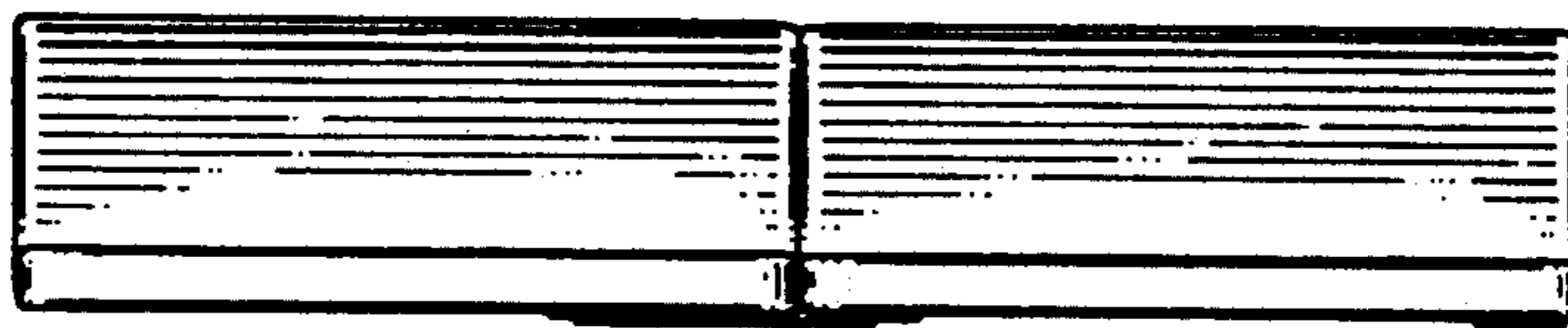


FIG. 4

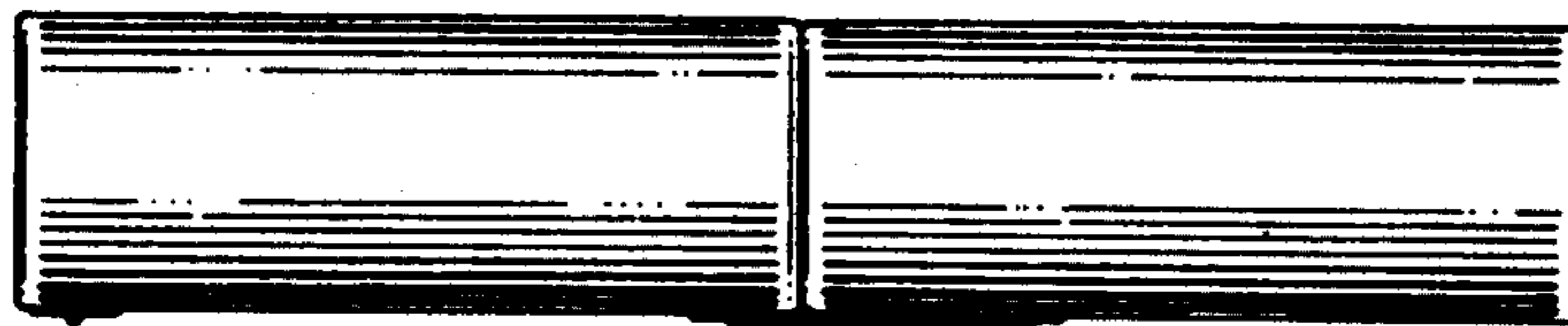


FIG. 5

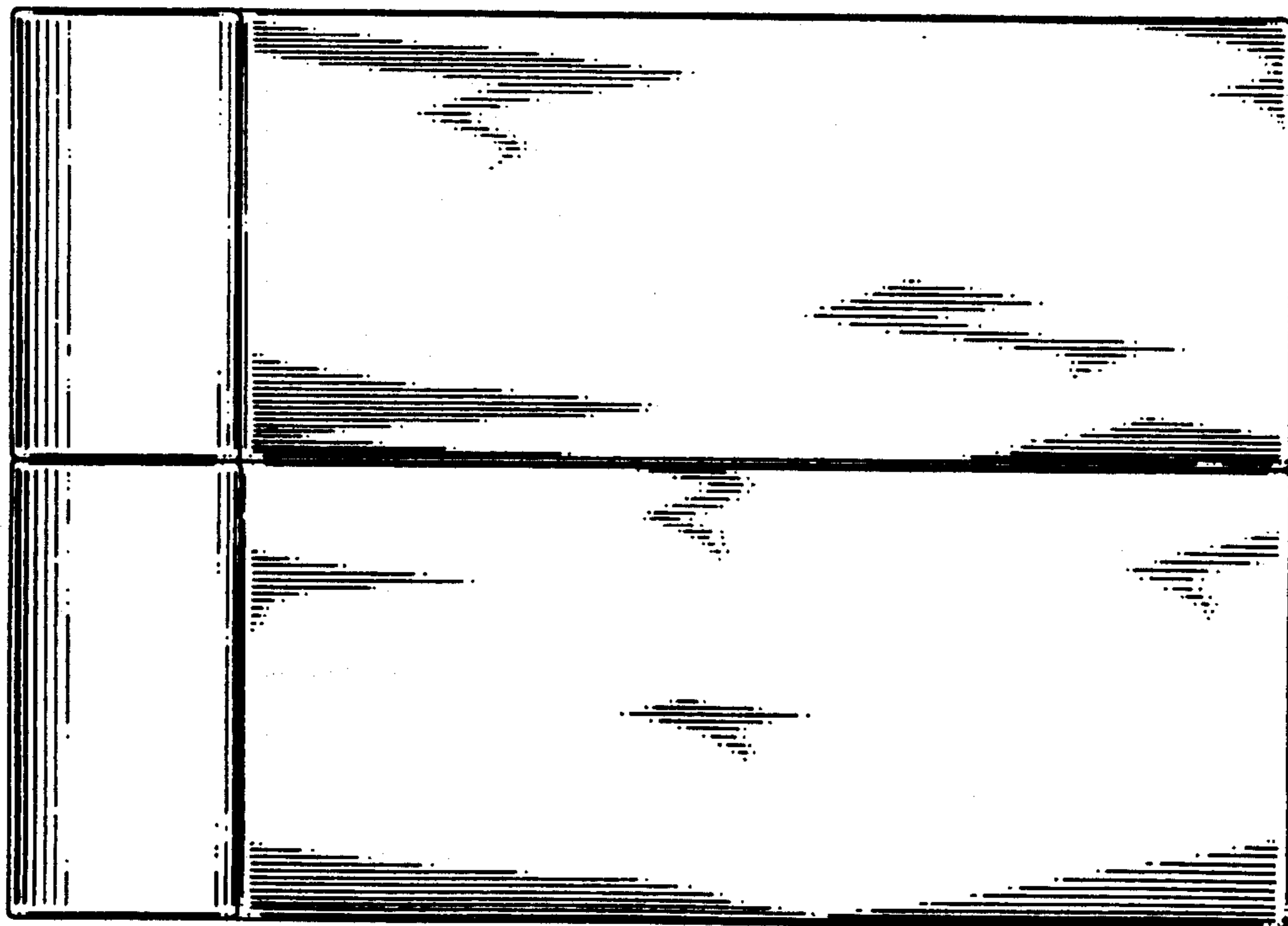


FIG. 6