



US00D338034S

United States Patent [19]

[11] Patent Number: **Des. 338,034**

Vespa

[45] Date of Patent: **** Aug. 3, 1993**

[54] **PRINTING PRESS BRACKET**

[76] Inventor: **William Vespa**, 7 Aries La., Novato, Calif. 94947

[**] Term: **14 Years**

[21] Appl. No.: **804,175**

[22] Filed: **Dec. 9, 1991**

[52] U.S. Cl. **D18/56**

[58] Field of Search 101/333, 349, 216; D18/56; D8/349, 354, 373, 380; 346/160

3,859,919	1/1975	Skrypek et al.	101/349
3,948,169	4/1976	Cole	101/333
4,703,334	10/1987	Mochimaru et al.	346/160
4,949,637	8/1990	Keller	101/352

Primary Examiner—A. Hugo Word
Assistant Examiner—Cathy Anne MacCormac
Attorney, Agent, or Firm—Larry D. Johnson

[57] **CLAIM**

The ornamental design for a printing press bracket, as shown and described.

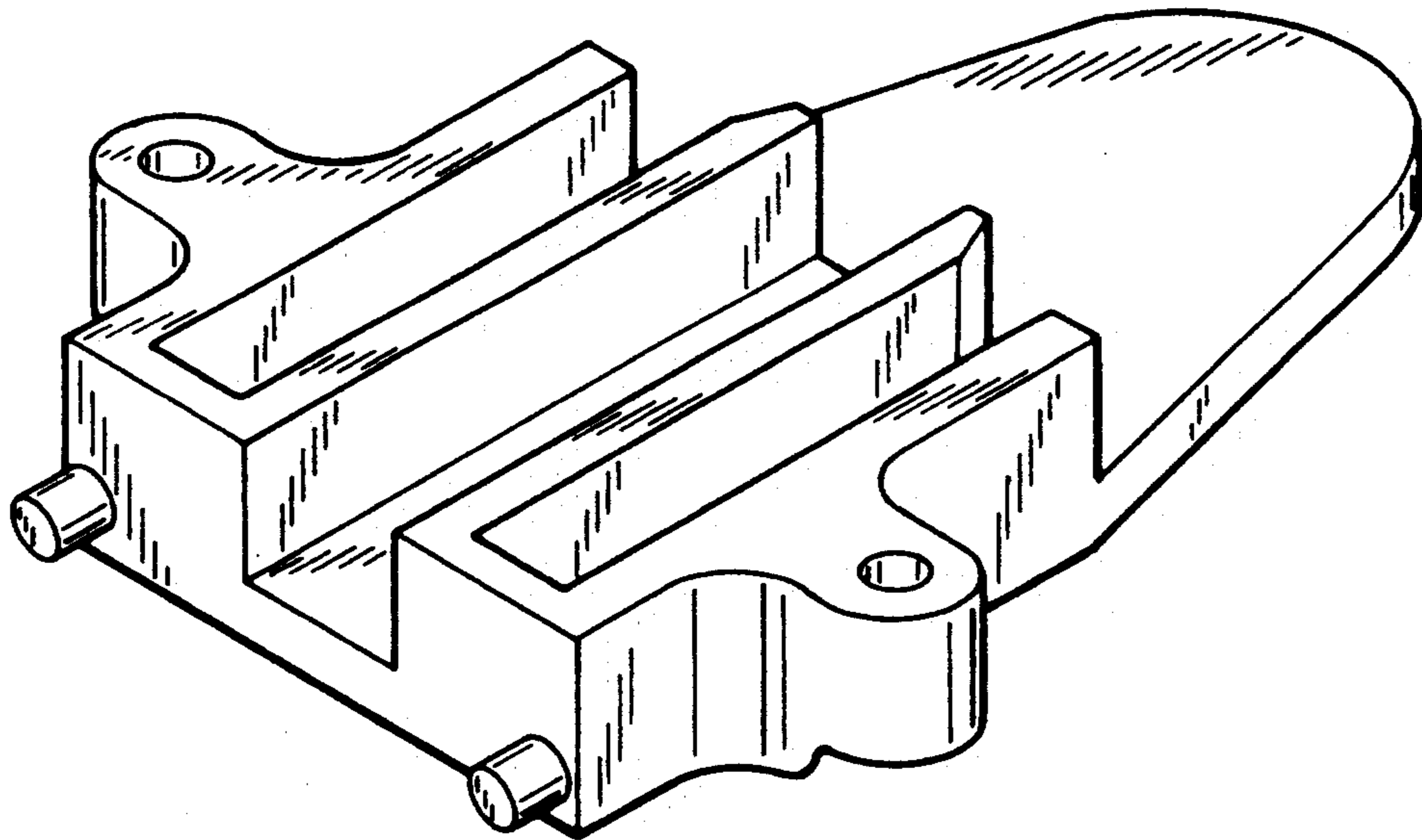
[56] **References Cited**

U.S. PATENT DOCUMENTS

D. 182,419	4/1958	Labrie	D8/373
D. 223,483	4/1972	Freegard	D8/373
D. 272,211	1/1984	Rock et al.	D8/354
D. 281,078	10/1985	Koizumi et al.	D18/56
D. 283,006	3/1986	Carter, Jr. et al.	D8/349
D. 316,809	5/1991	Carson	D8/373
D. 330,724	11/1992	Gansky et al.	D18/56

DESCRIPTION

FIG. 1 is a perspective view of a printing press bracket showing my new design;
FIG. 2 is a front elevational view thereof;
FIG. 3 is a rear elevational view thereof;
FIG. 4 is a left side elevational view thereof, the right side being a mirror image;
FIG. 5 is a top plan view thereof; and,
FIG. 6 is a bottom plan view thereof.



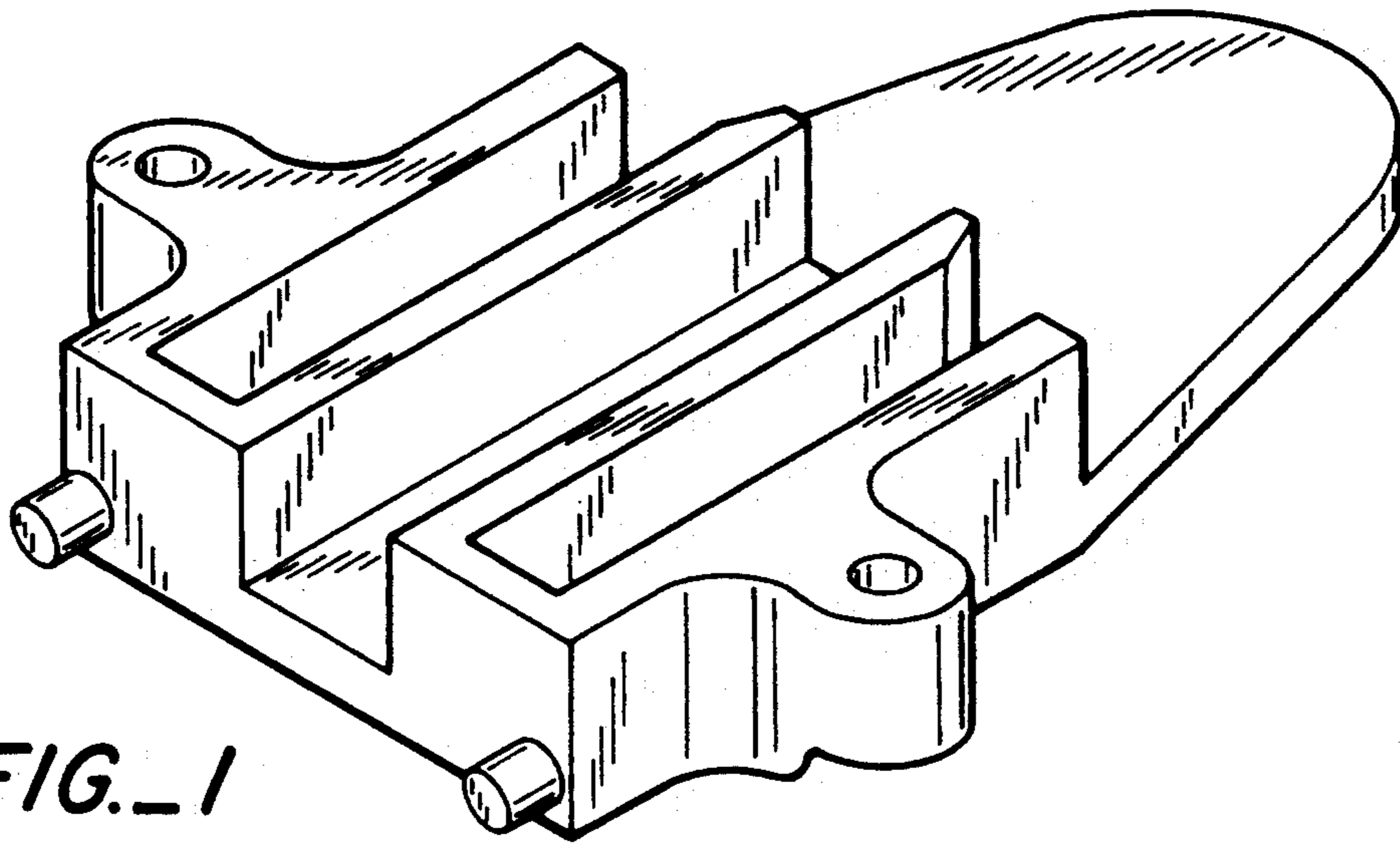


FIG. 1

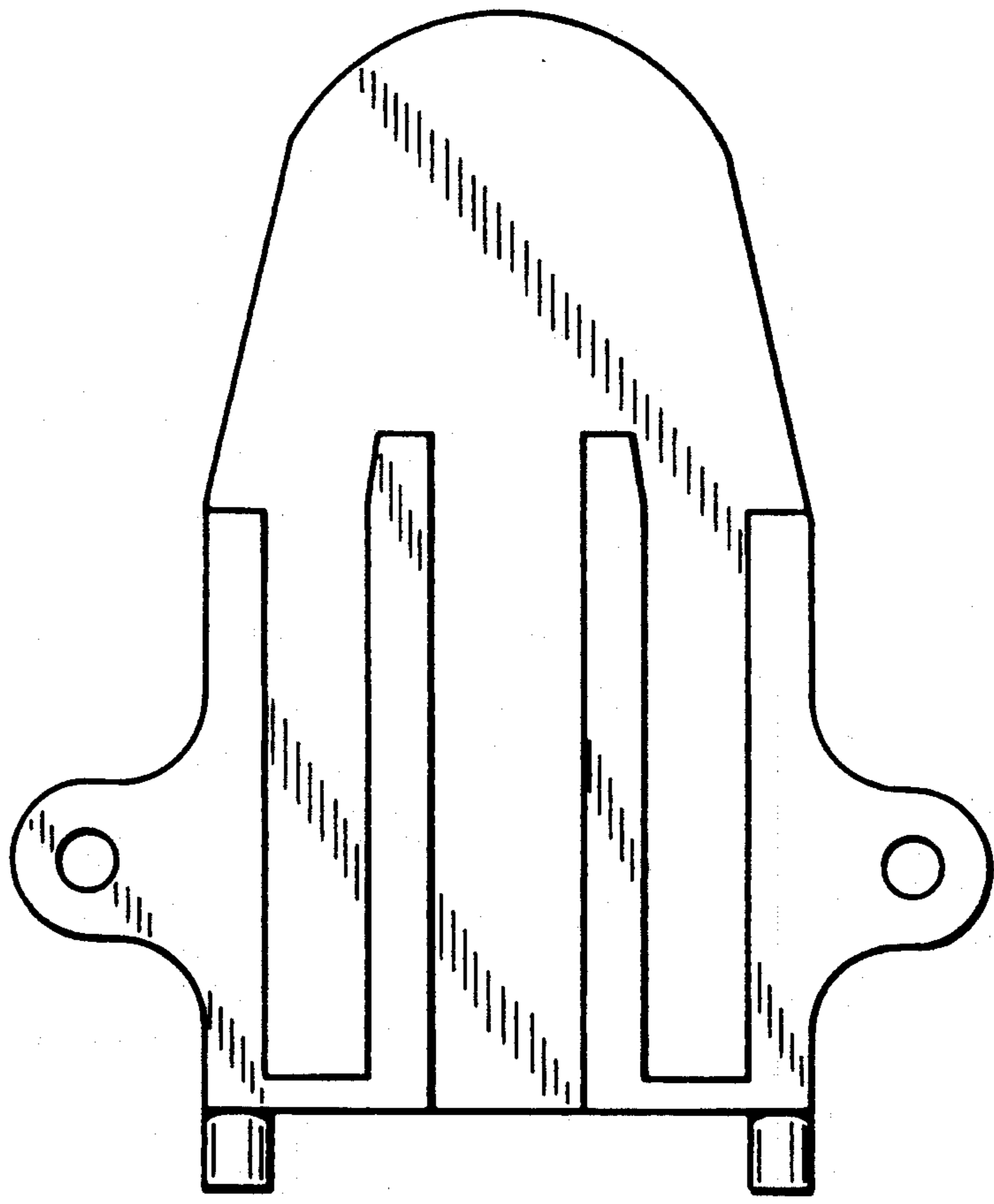


FIG. 2

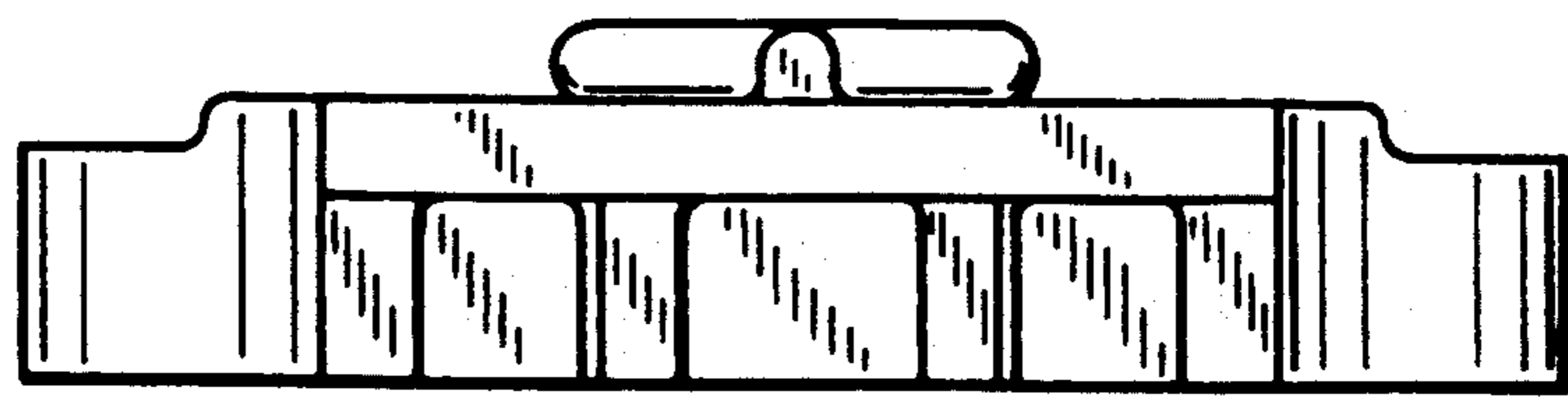


FIG. 5

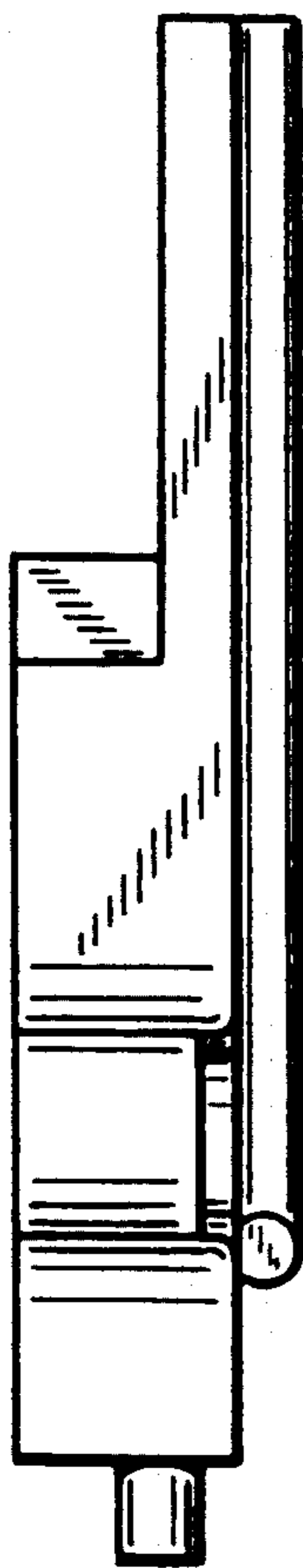


FIG._4

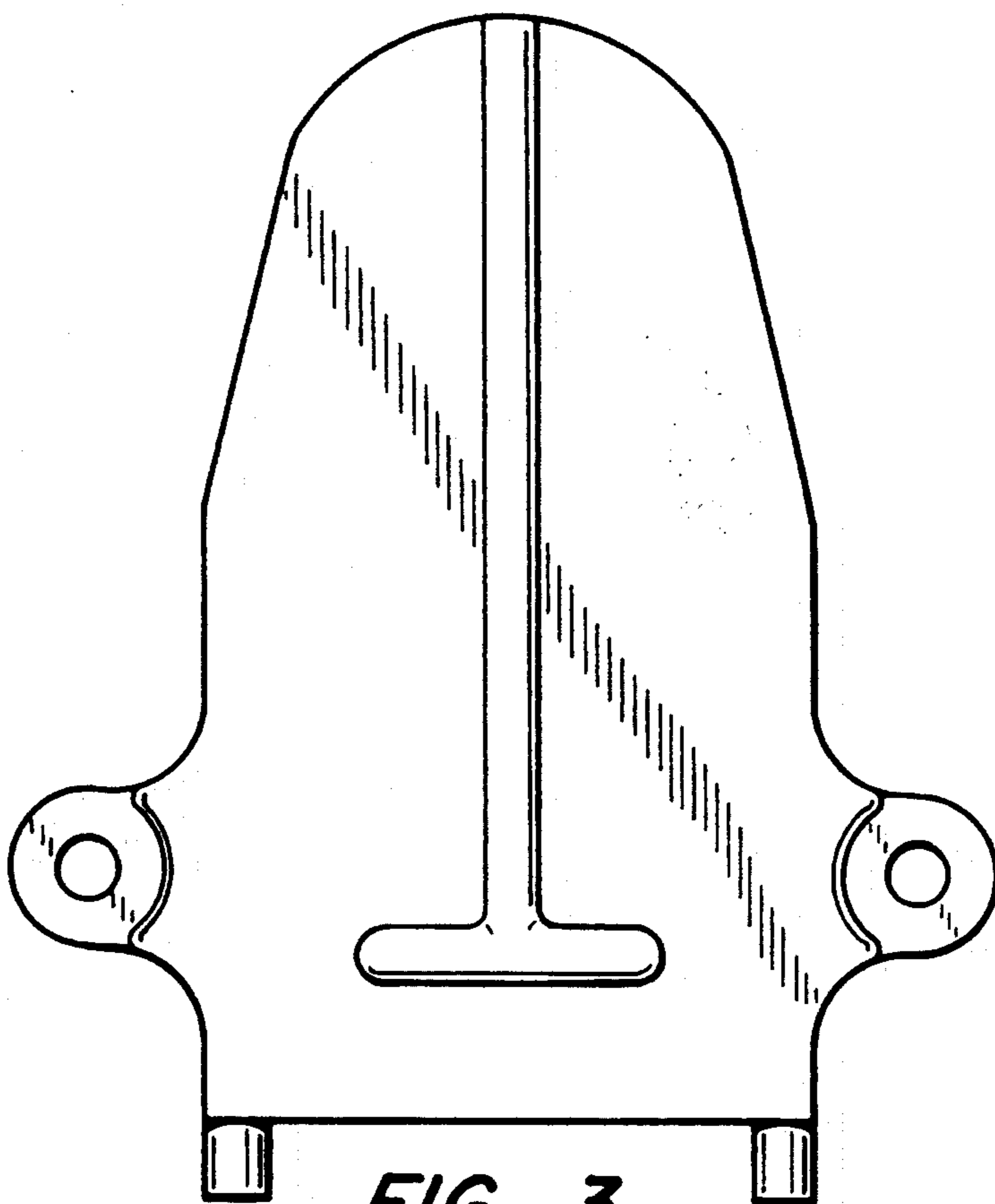


FIG._3

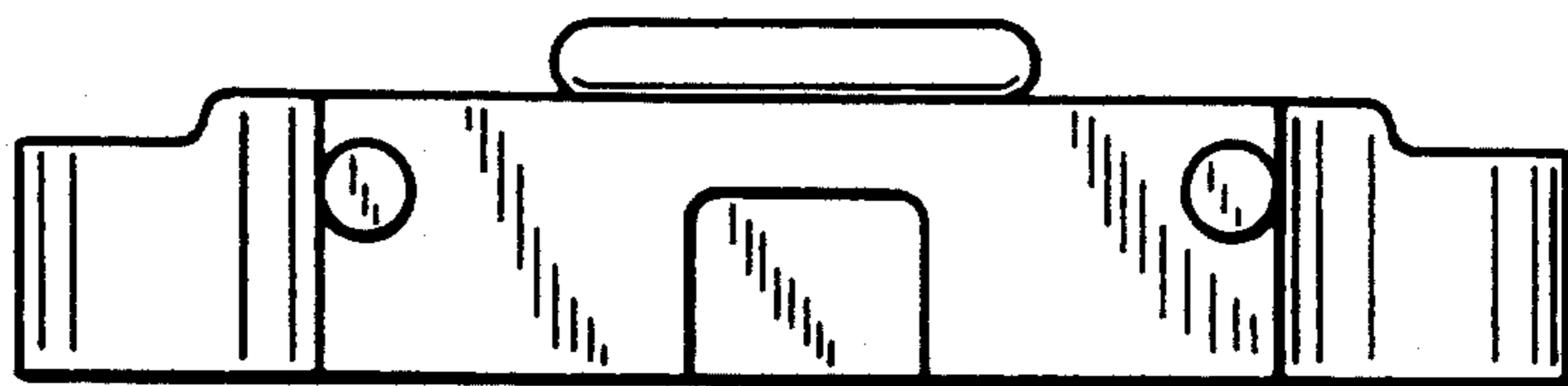


FIG._6