



US00D338030S

# United States Patent [19]

[11] Patent Number: **Des. 338,030**

**Chapman**

[45] Date of Patent: **\*\* Aug. 3, 1993**

[54] **COMBINED CAMERA DOLLY AND PEDESTAL THEREFOR**

2,725,783 12/1955 Jackson ..... 352/243  
4,094,484 6/1978 Galione ..... 248/162

[75] Inventor: **Leonard Chapman**, North Hollywood, Calif.

[73] Assignee: **Leonard Studio Equipment**, North Hollywood, Calif.

[\*\*] Term: **14 Years**

[21] Appl. No.: **591,527**

[22] Filed: **Oct. 1, 1990**

[52] U.S. Cl. .... **D16/242; D34/23**

[58] Field of Search ..... **D16/242, 244, 245; D34/23, 28; 248/123.1, 162.1, 170, 171, 183; 280/47.11, 91, 99, 100; 354/293; 352/243**

[56] **References Cited**

**U.S. PATENT DOCUMENTS**

D. 160,681	10/1950	Wilcox et al. ....	D16/242
D. 221,900	9/1971	Samuelson et al. ....	D16/242
D. 315,817	3/1991	Healy .....	D34/23
2,224,901	12/1940	Cunningham .....	248/123.1
2,518,288	8/1950	Coutant .....	280/47.11

**OTHER PUBLICATIONS**

Ladybird Elemack Brochure.  
Vinten Complete Range Catalogue 1989/90.  
Cricket Camera Dolly Brochure.  
FGV Panther brochure.

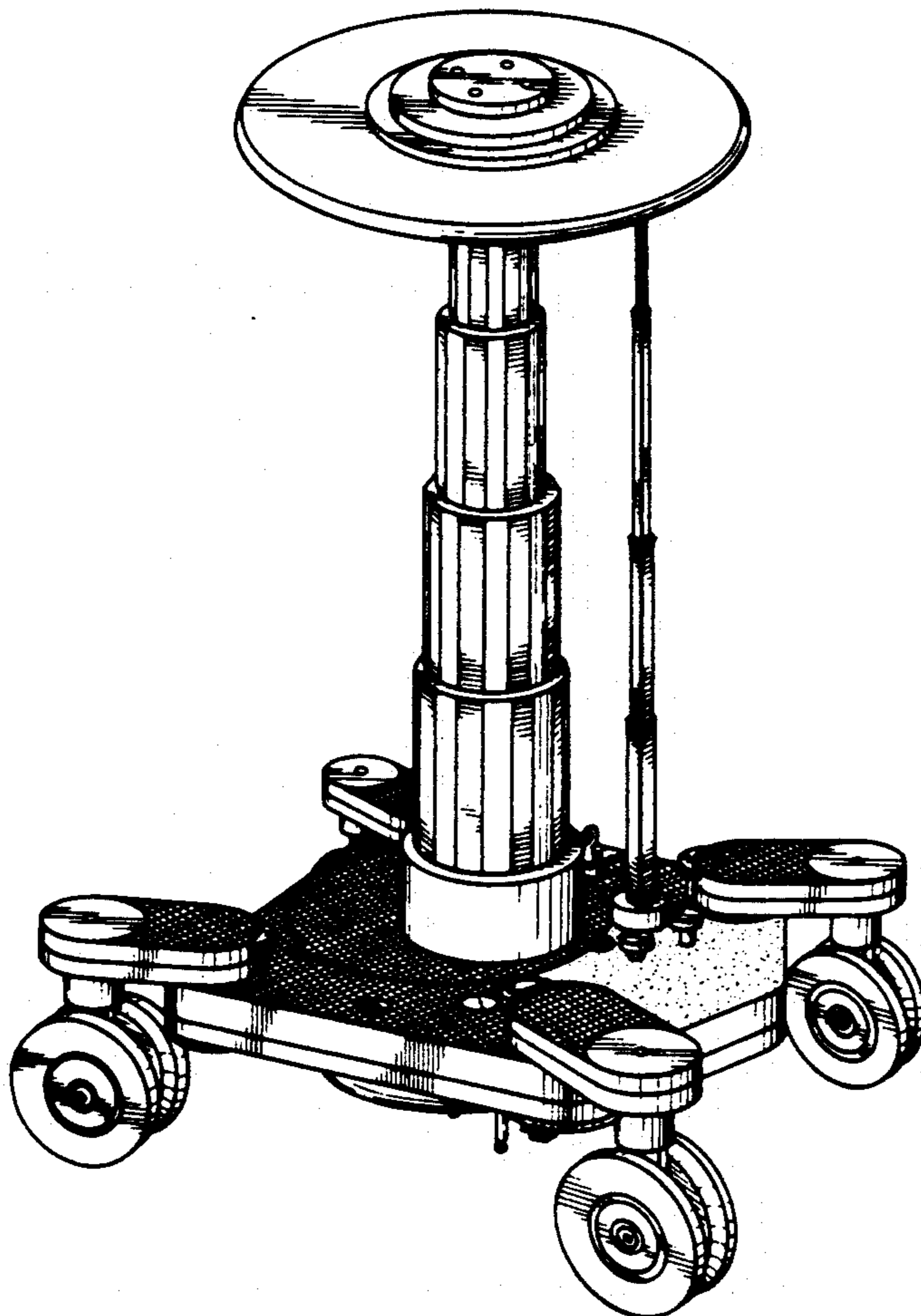
*Primary Examiner*—Bernard Ansher  
*Assistant Examiner*—Adir Aronovich  
*Attorney, Agent, or Firm*—Lyon & Lyon

[57] **CLAIM**

The ornamental design for combined camera dolly and pedestal therefor, as shown and described.

**DESCRIPTION**

FIG. 1 is a perspective view of a combined camera dolly and pedestal therefor;  
FIG. 2 is a perspective view thereof, with the pedestal in a collapsed position;  
FIG. 3 is a front elevational view thereof;  
FIG. 4 is a rear elevational thereof;  
FIG. 5 is a top plan view thereof; and,  
FIG. 6 is a bottom plan view thereof.



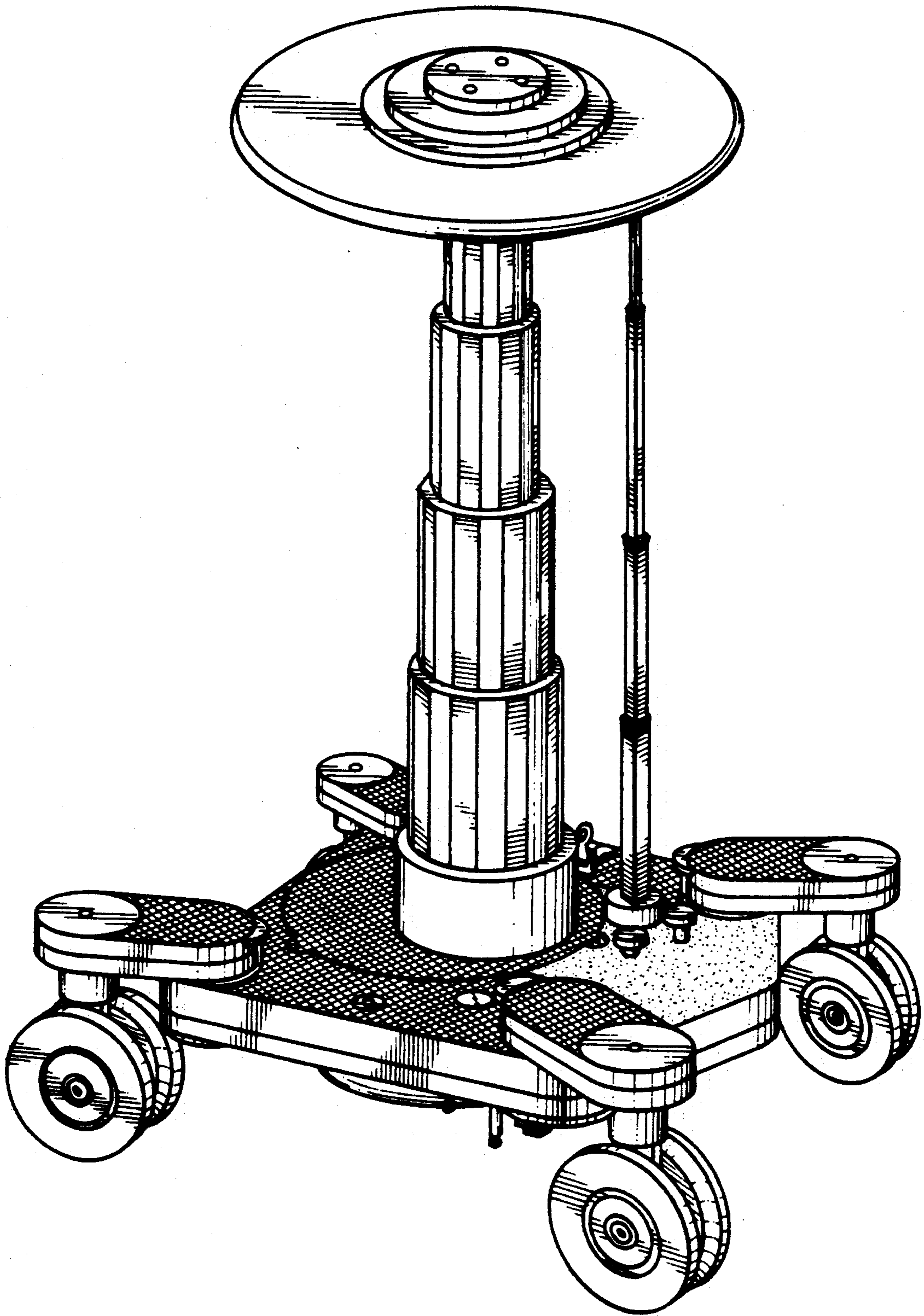


FIG. 1.

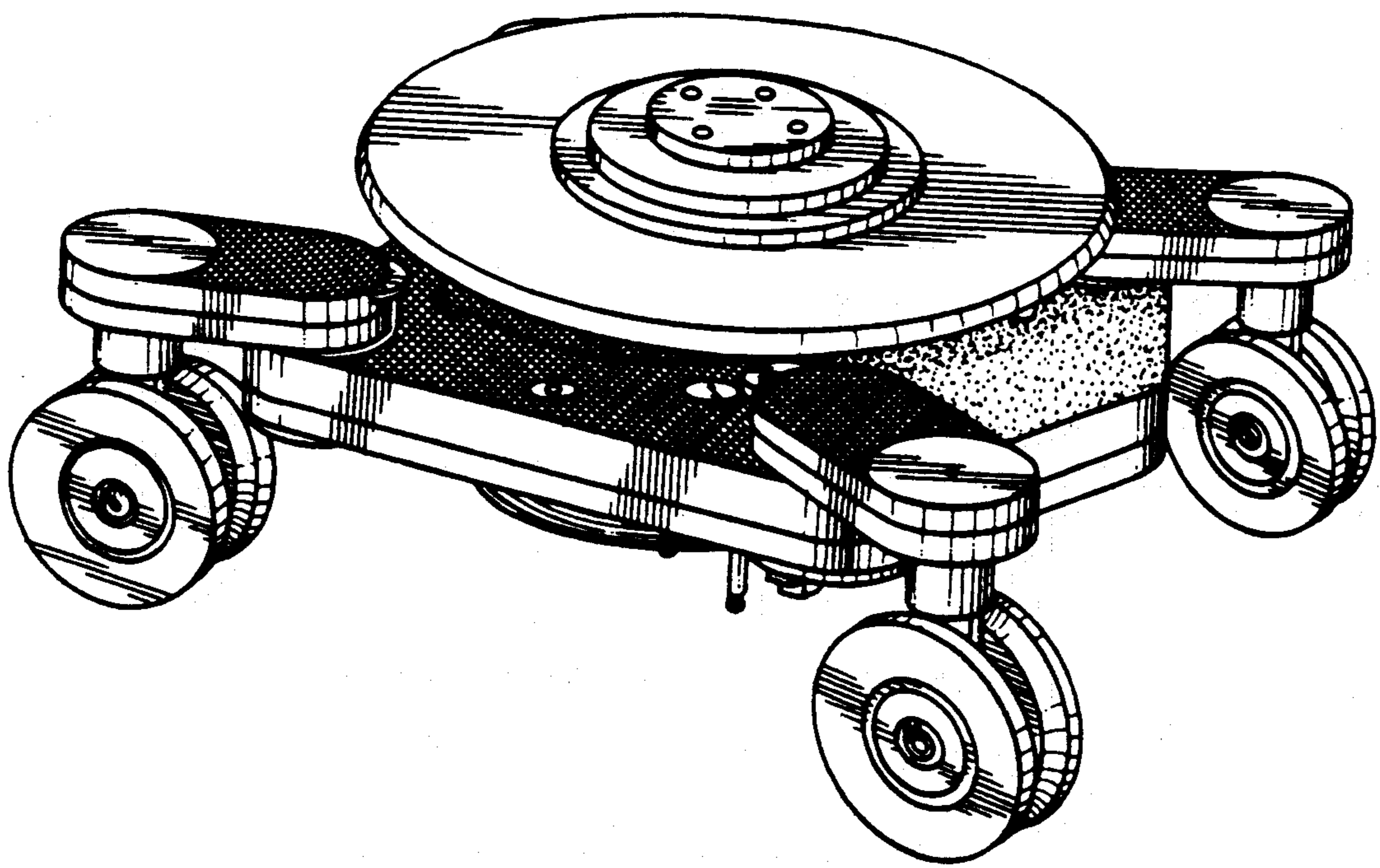


FIG. 2.



FIG. 3.

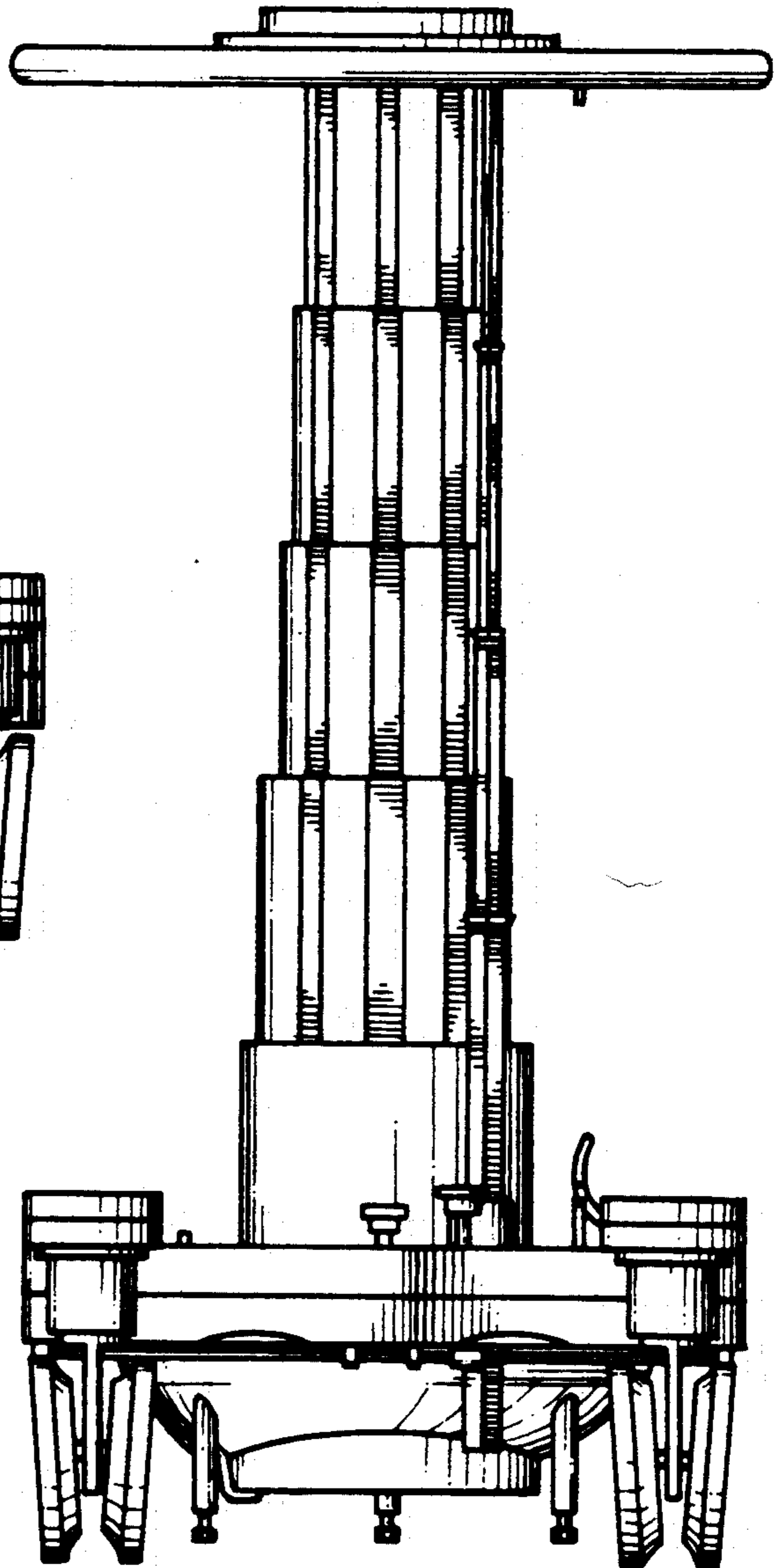
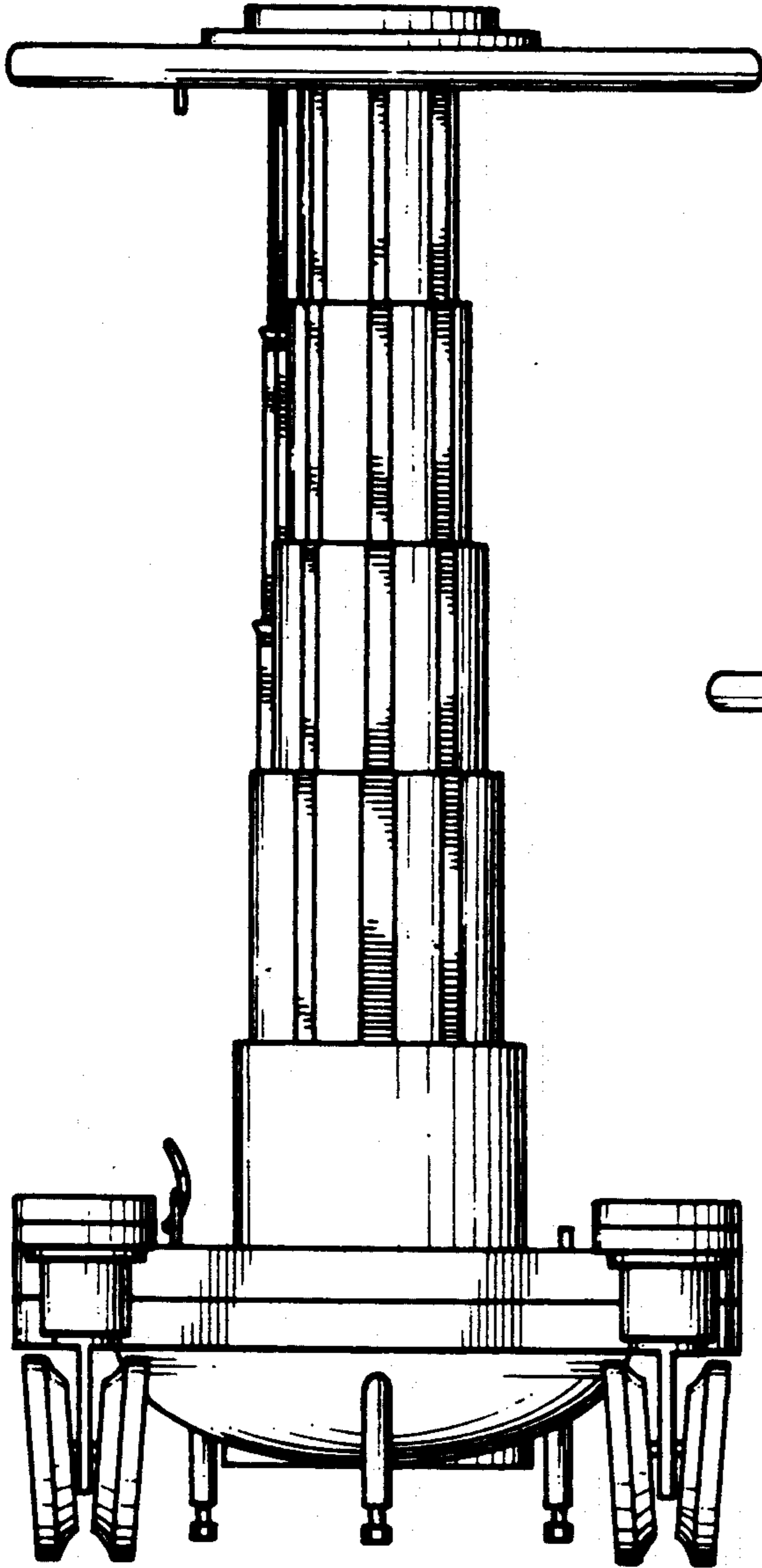


FIG. 4.

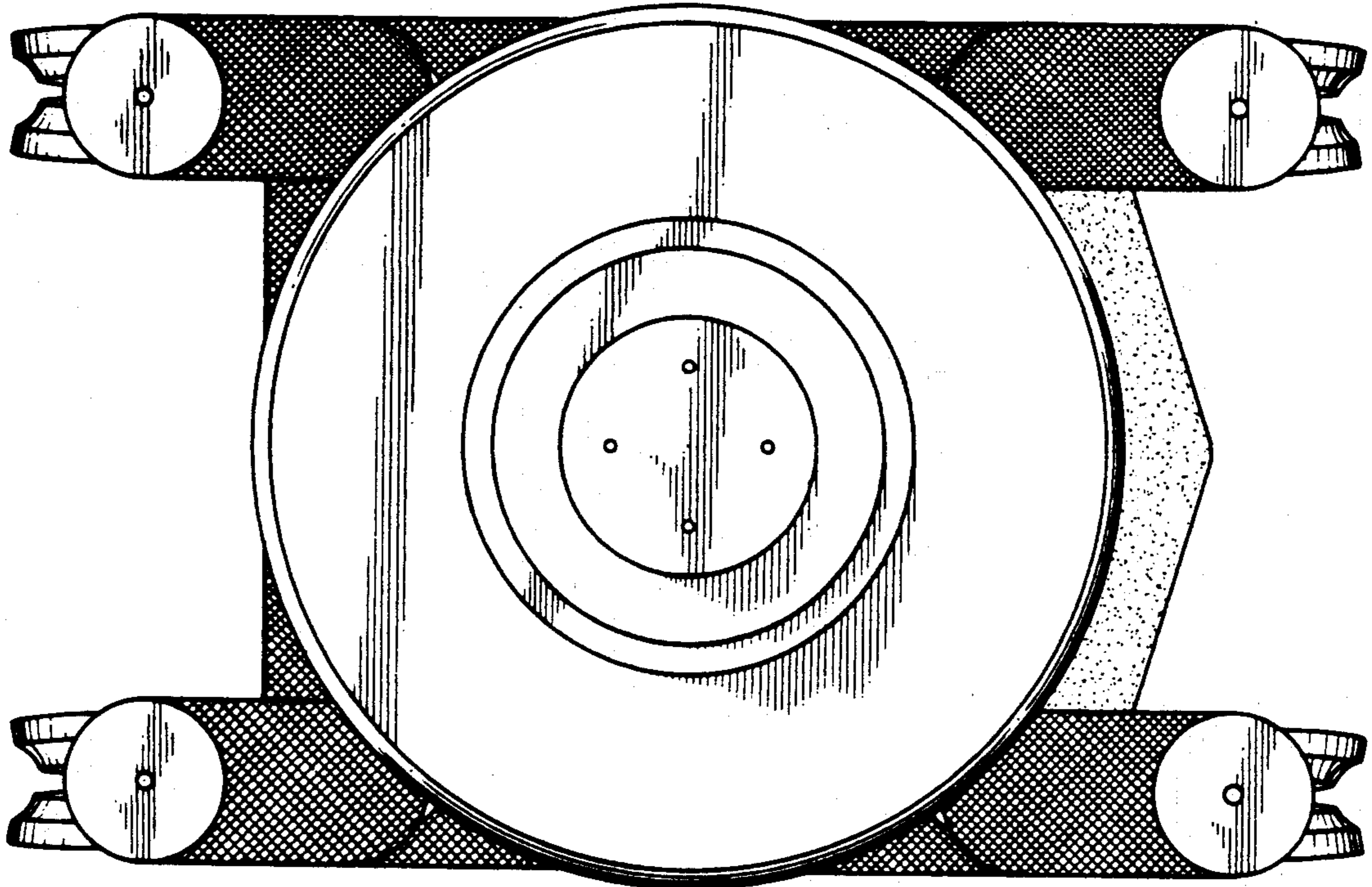


FIG. 5.

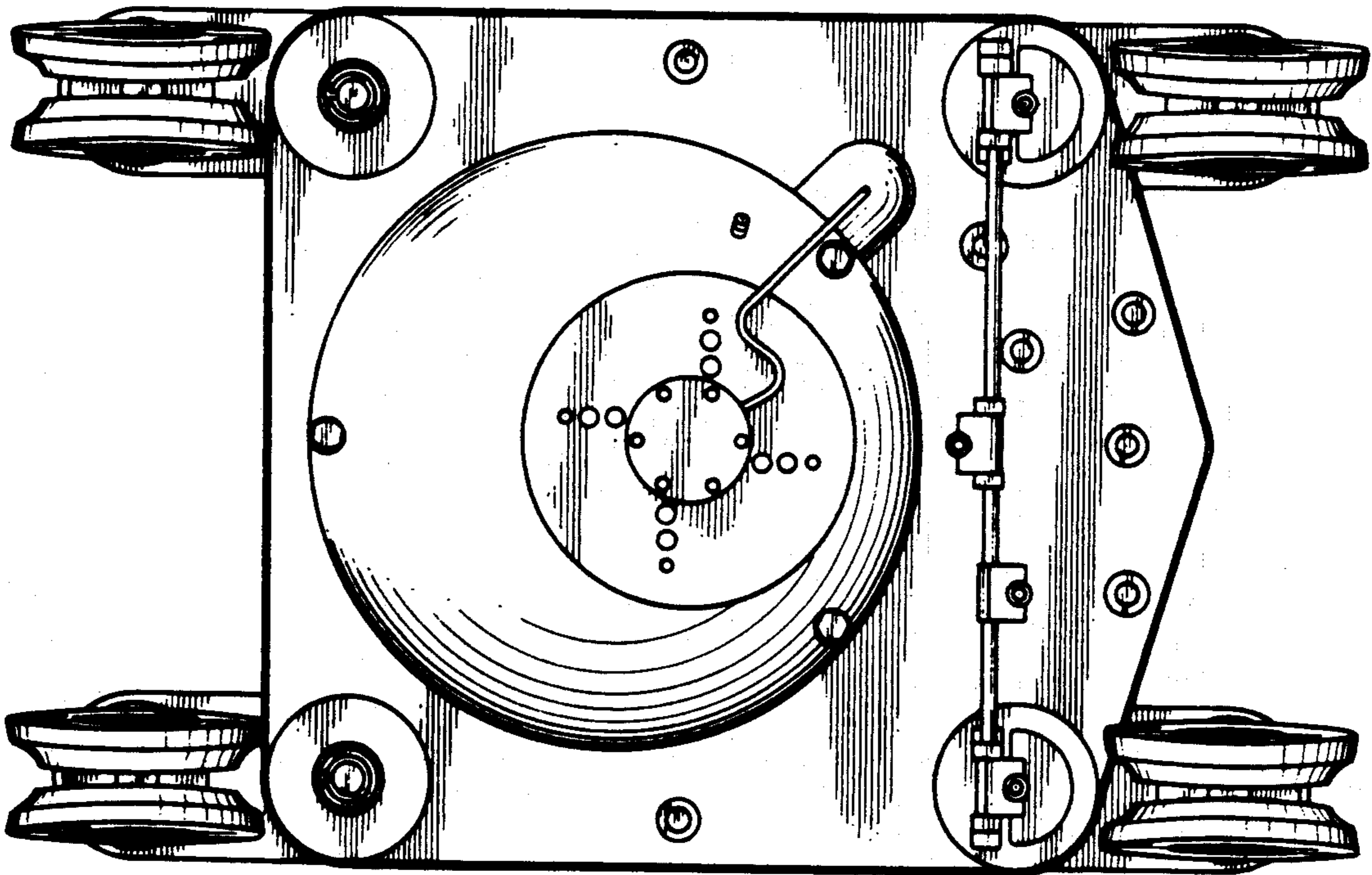


FIG. 6.