



US00D338025S

# United States Patent [19]

[11] Patent Number: **Des. 338,025**

Washizaki et al.

[45] Date of Patent: **\*\* Aug. 3, 1993**

[54] **FILM LAMINATOR FOR PRINTED CIRCUIT BOARDS**

4,545,175 10/1985 Beckett ..... D15/145 XZ  
4,545,176 10/1985 Marchetti ..... D15/145 XZ  
4,832,774 5/1989 DiFrank et al. .... 156/521 XZ  
5,106,450 4/1992 Freisitzer et al. .... 156/517

[75] Inventors: **Yoji Washizaki, Saitama; Akira Igarashi, Tokyo, both of Japan**

*Primary Examiner*—Alan P. Douglas  
*Assistant Examiner*—A. D. Davis  
*Attorney, Agent, or Firm*—Sughrue, Mion, Zinn, Macpeak & Seas

[73] Assignee: **Somar Corporation, Tokyo, Japan**

[\*\*] Term: **14 Years**

[21] Appl. No.: **589,474**

[22] Filed: **Sep. 26, 1990**

[57] **CLAIM**

The ornamental design for a film laminator for printed circuit boards, as shown.

[30] **Foreign Application Priority Data**

May 30, 1990 [JP] Japan ..... 2-17876

**DESCRIPTION**

[52] U.S. Cl. .... **D15/145**

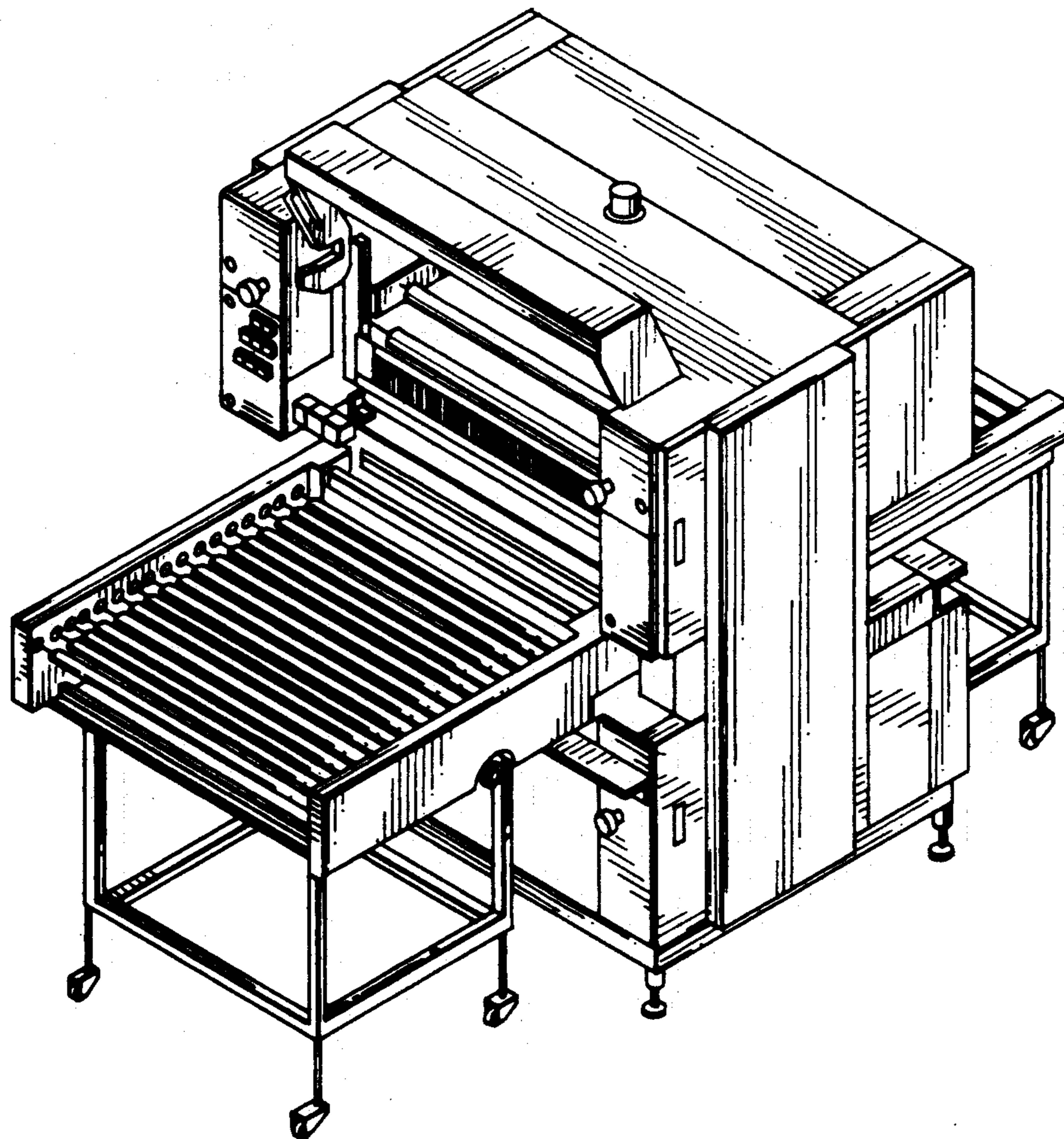
[58] Field of Search ..... D15/145, 146; 53/389.1, 53/389.2, 389.4, 389.5; 156/355, 485, 465, 583.1, 583.2, 351, 521, 522, 556

FIG. 1 is a front elevational view of a film laminator for printed circuit boards showing our new design; FIG. 2 is a rear elevational view thereof; FIG. 3 is a left side elevational view thereof; FIG. 4 is a right side elevational view thereof; FIG. 5 is a top plan view thereof; FIG. 6 is a bottom plan view thereof; and, FIG. 7 is a front, top and right side perspective view thereof.

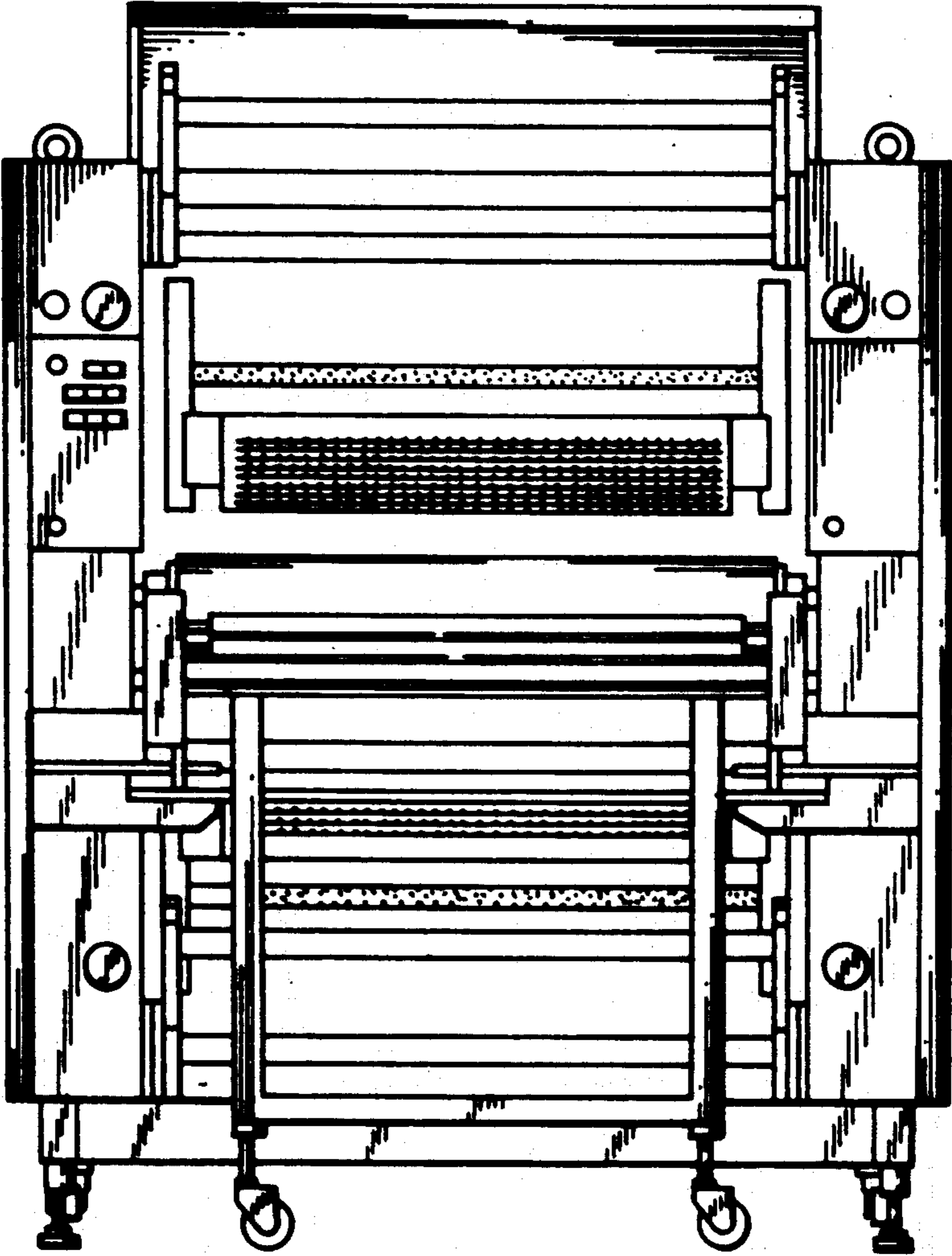
[56] **References Cited**

**U.S. PATENT DOCUMENTS**

D. 328,307 7/1992 Belletire et al. .... D15/145  
4,418,511 12/1983 Collin ..... D15/146 XZ



*Fig. 1*



*Fig. 2*

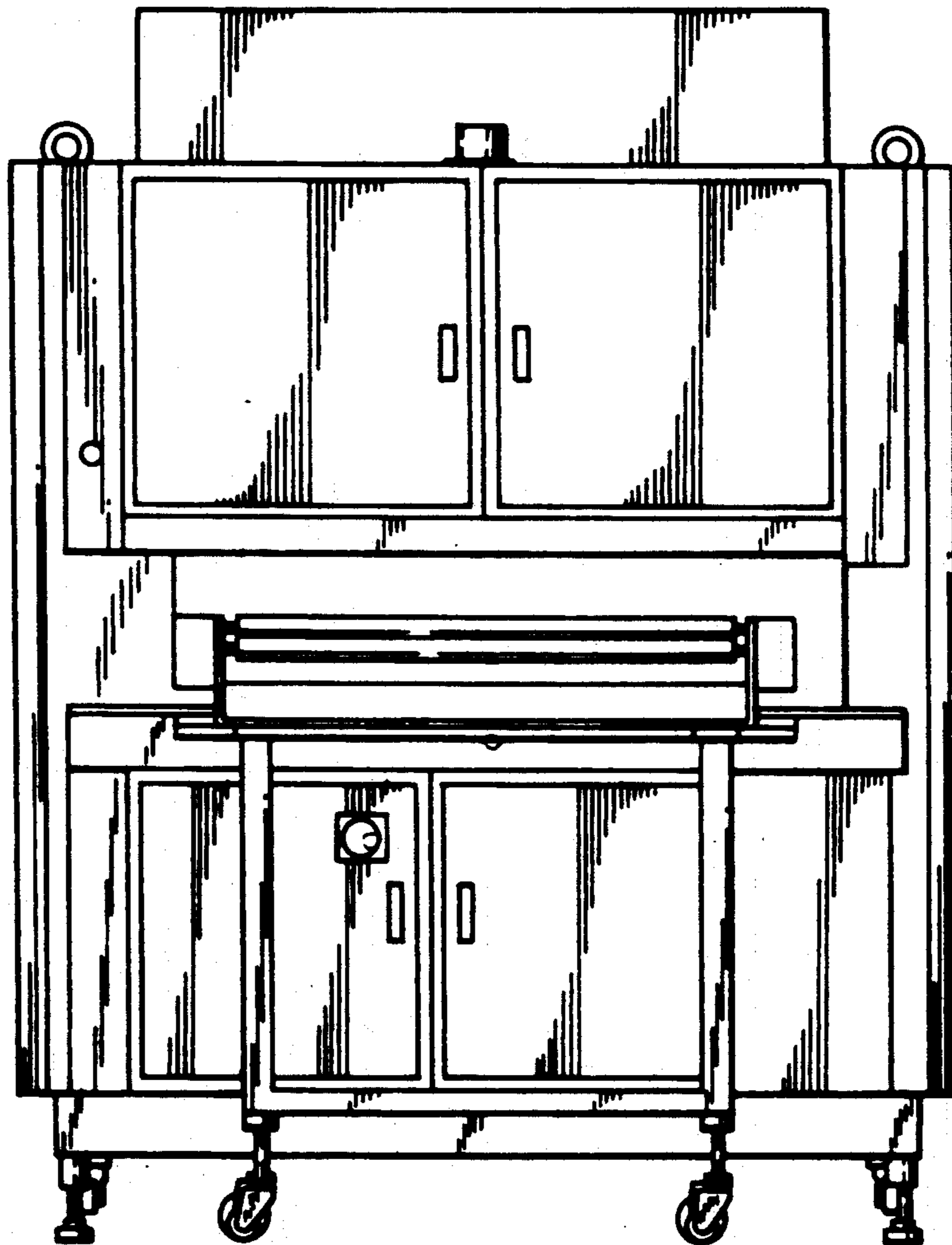


Fig. 3

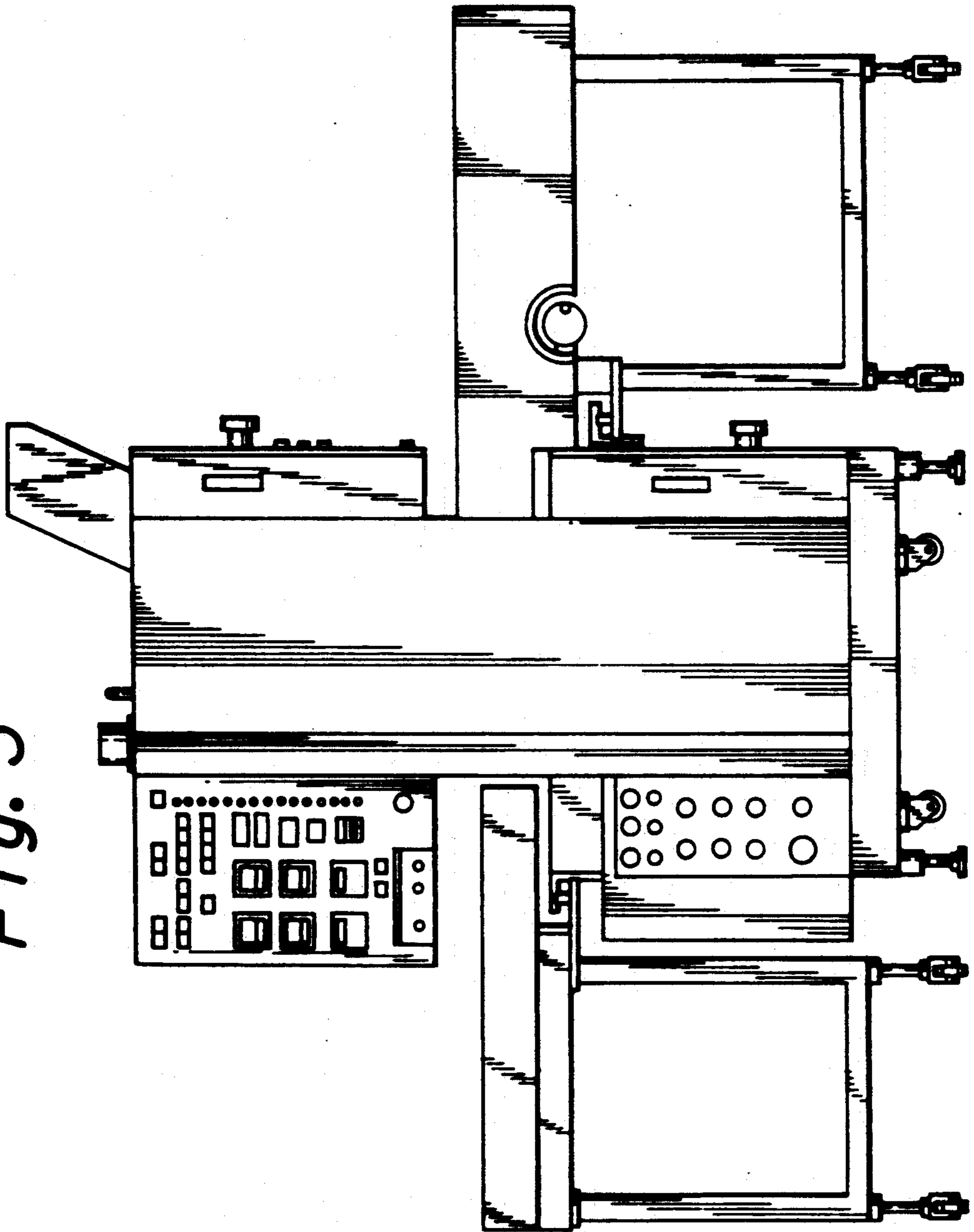
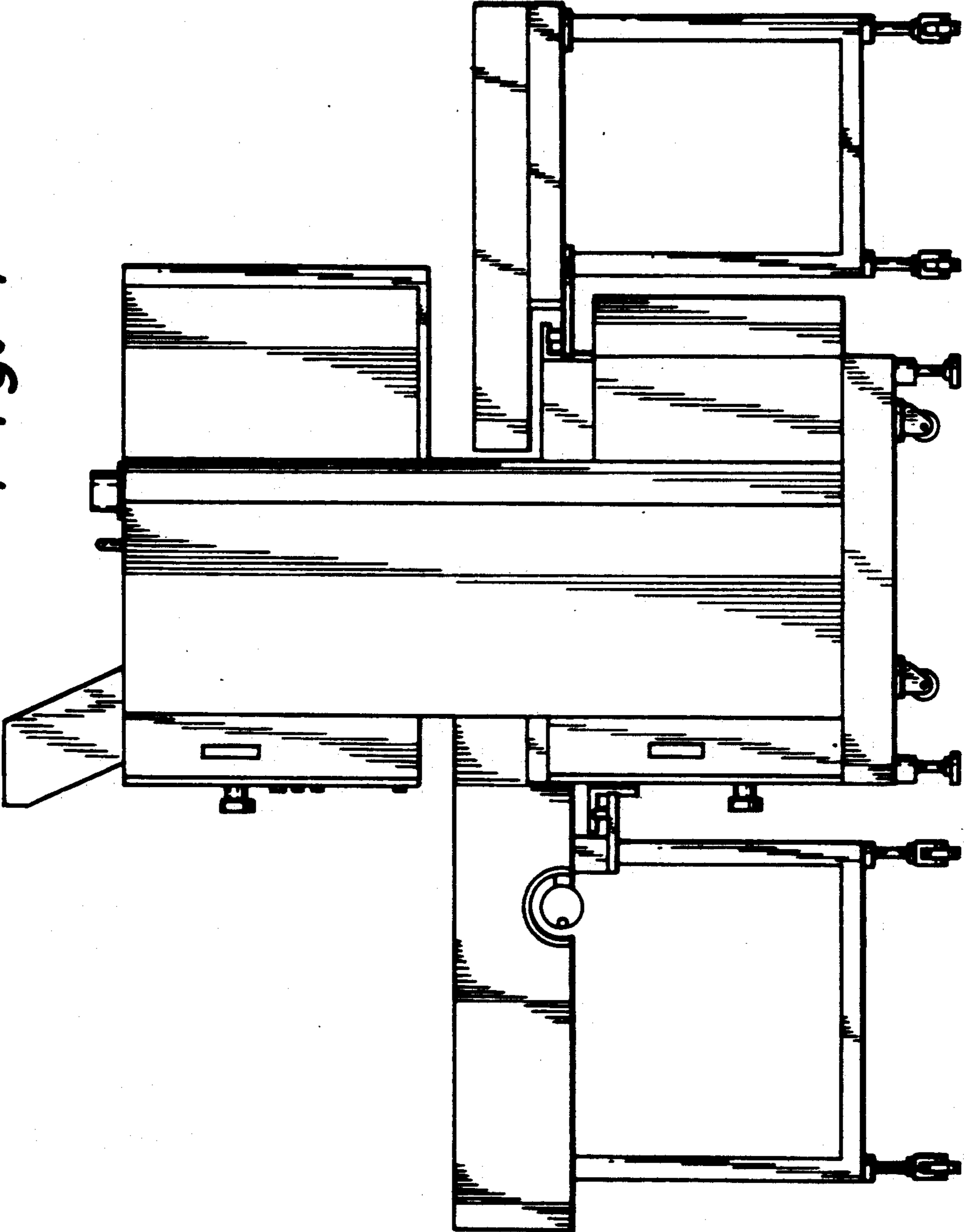


Fig. 4



*Fig. 5*

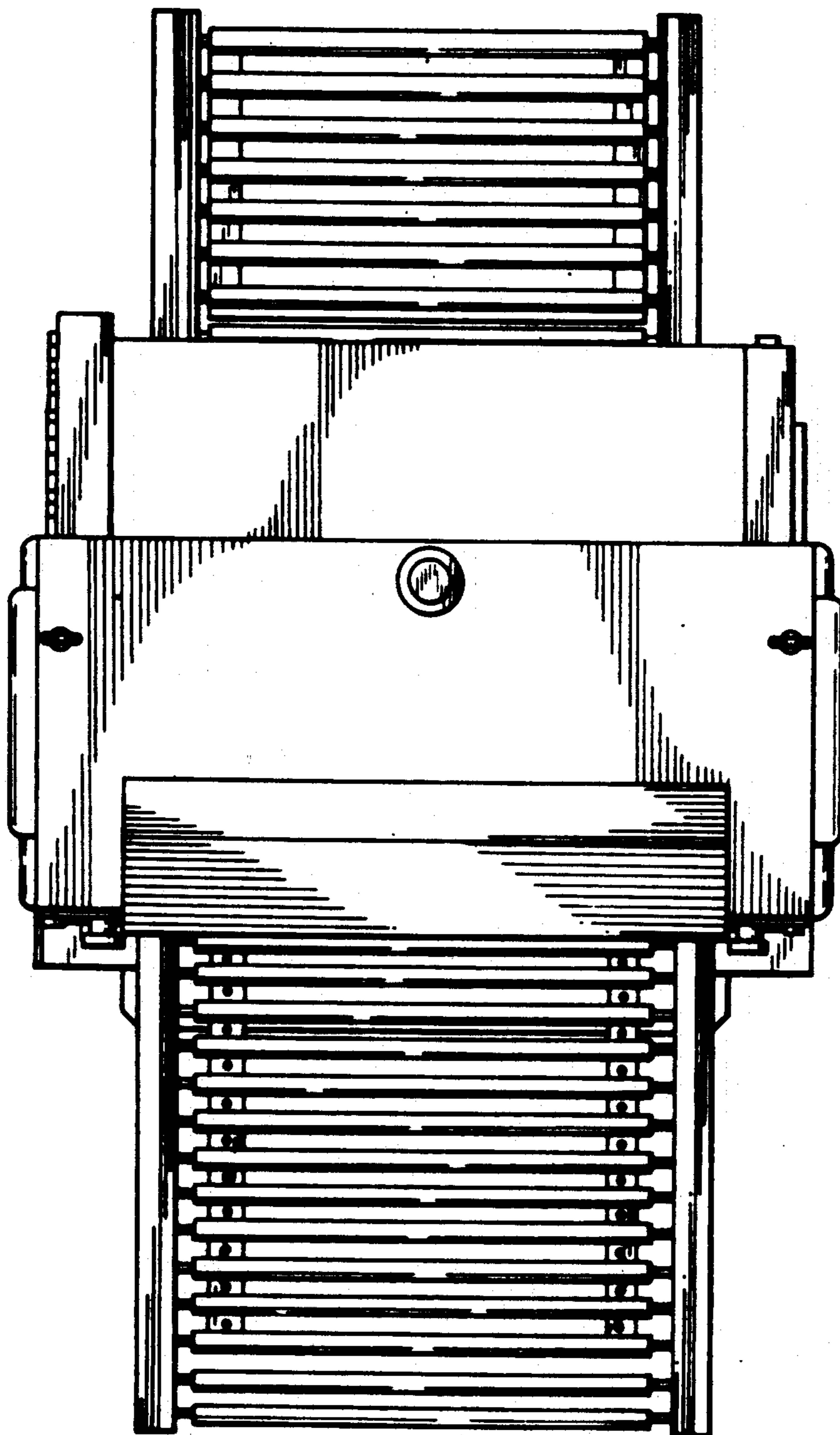
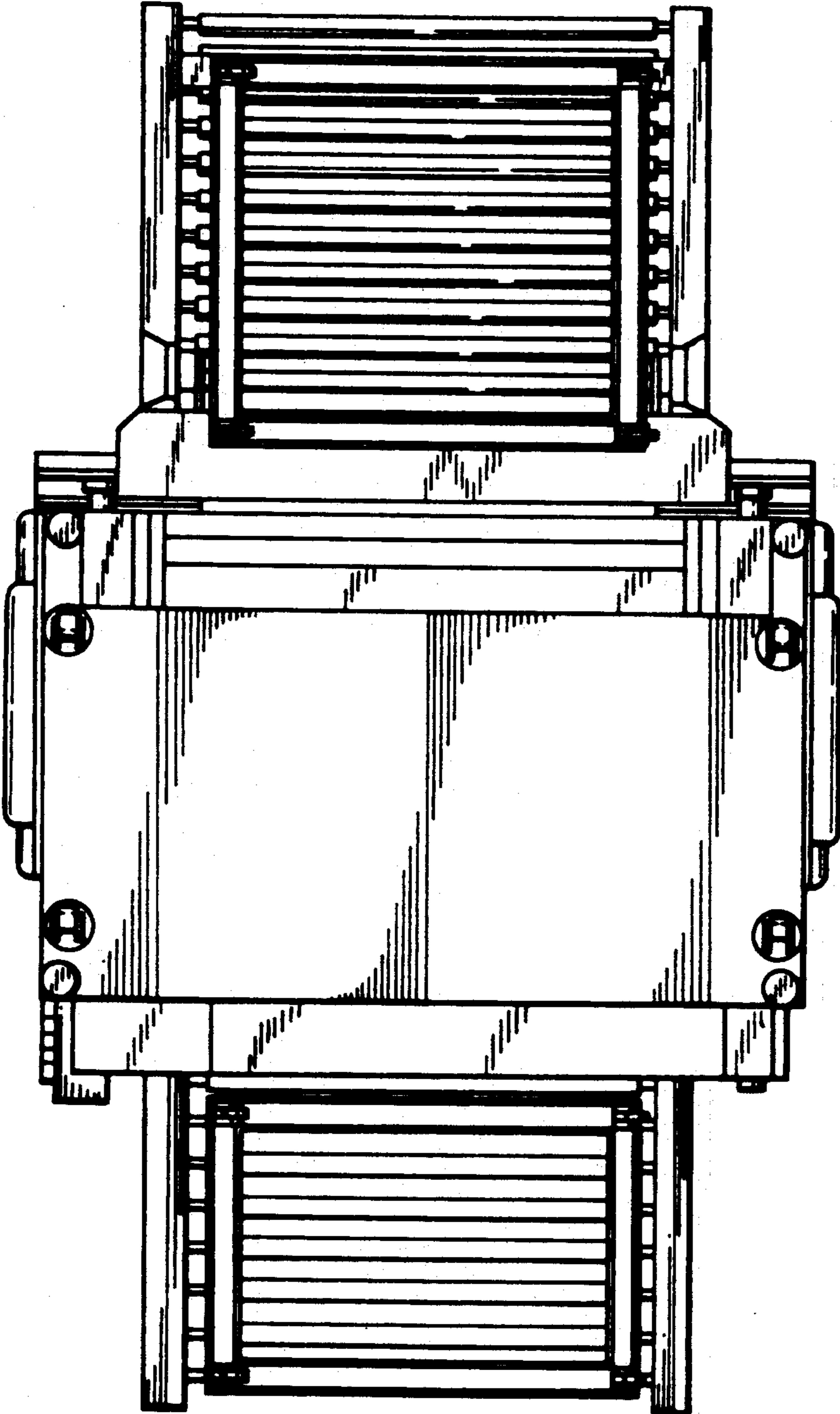


Fig. 6



*Fig. 7*

