



US00D338022S

United States Patent [19]

[11] Patent Number: **Des. 338,022**

Takada et al.

[45] Date of Patent: **** Aug. 3, 1993**

[54] **SEWING MACHINE**

[75] Inventors: **Sanae Takada; Yuujiro Motomizu; Tomoko Yamagata; Shigemasa Kato,** all of Chofu, Japan

[73] Assignee: **Juki Corporation, Tokyo, Japan**

[**] Term: **14 Years**

[21] Appl. No.: **794,160**

[22] Filed: **Nov. 18, 1991**

[52] U.S. Cl. **D15/69**

[58] Field of Search **D15/66-78; 112/217.1-217.4, 258-261, 262.1**

D. 309,739	8/1990	Itoh et al.	D15/67
D. 310,086	8/1990	Takada et al.	D15/70
D. 321,518	11/1991	Uchida	D15/69
D. 321,694	11/1991	Uchida	D15/69
4,407,211	10/1983	Kiyoshima	112/260
4,718,364	1/1988	Kessler	112/259

Primary Examiner—Bernard Ansher
Assistant Examiner—Sandra Morris
Attorney, Agent, or Firm—Morgan & Finnegan

[57] **CLAIM**

The ornamental design for a sewing machine, as shown.

DESCRIPTION

FIG. 1 is a perspective view of the design for a sewing machine in accordance with the present invention; FIG. 2 is a front view thereof; FIG. 3 is a top view thereof; FIG. 4 is a bottom view thereof; FIG. 5 is a rear side view thereof; FIG. 6 is a right-hand side view thereof; and, FIG. 7 is a left-hand side view thereof.

[56] **References Cited**

U.S. PATENT DOCUMENTS

D. 267,881	2/1983	Current	D15/68
D. 305,237	12/1989	Kuroki	D15/69
D. 306,601	3/1990	Uchida	D15/69
D. 307,023	4/1990	Eguchi	D15/69
D. 307,024	4/1990	Itoh et al.	D15/69

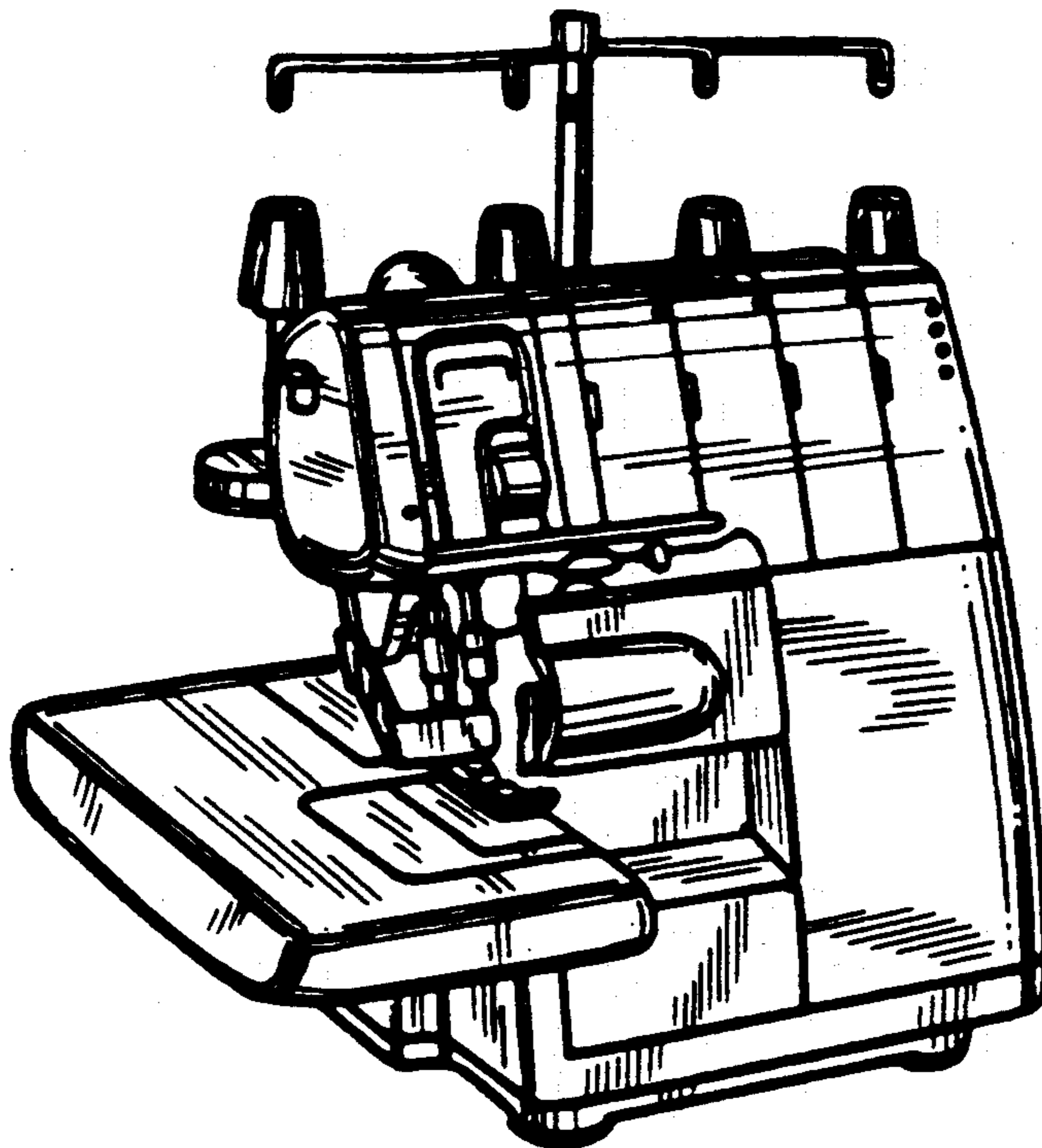


FIG. 1

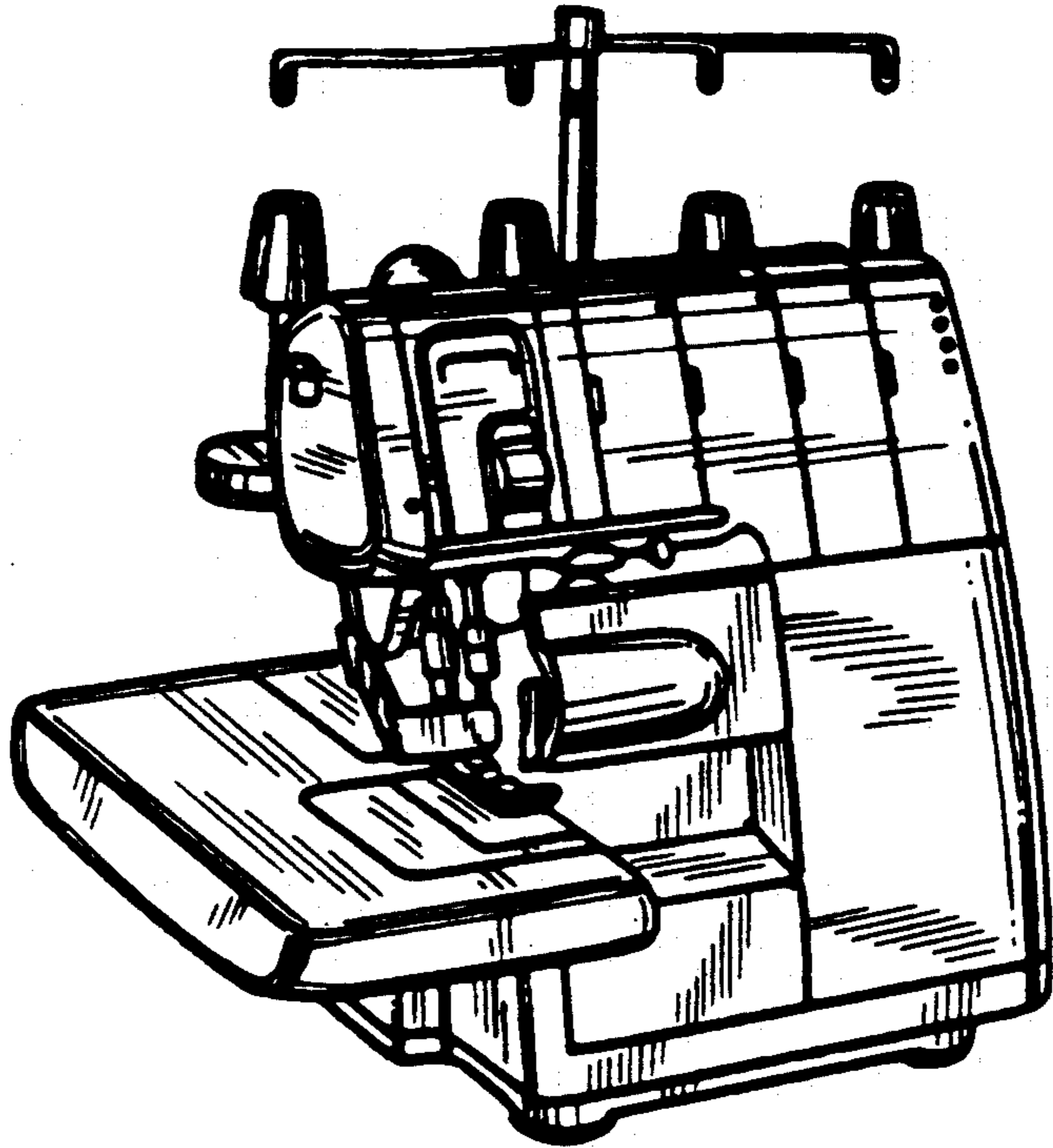


FIG. 2

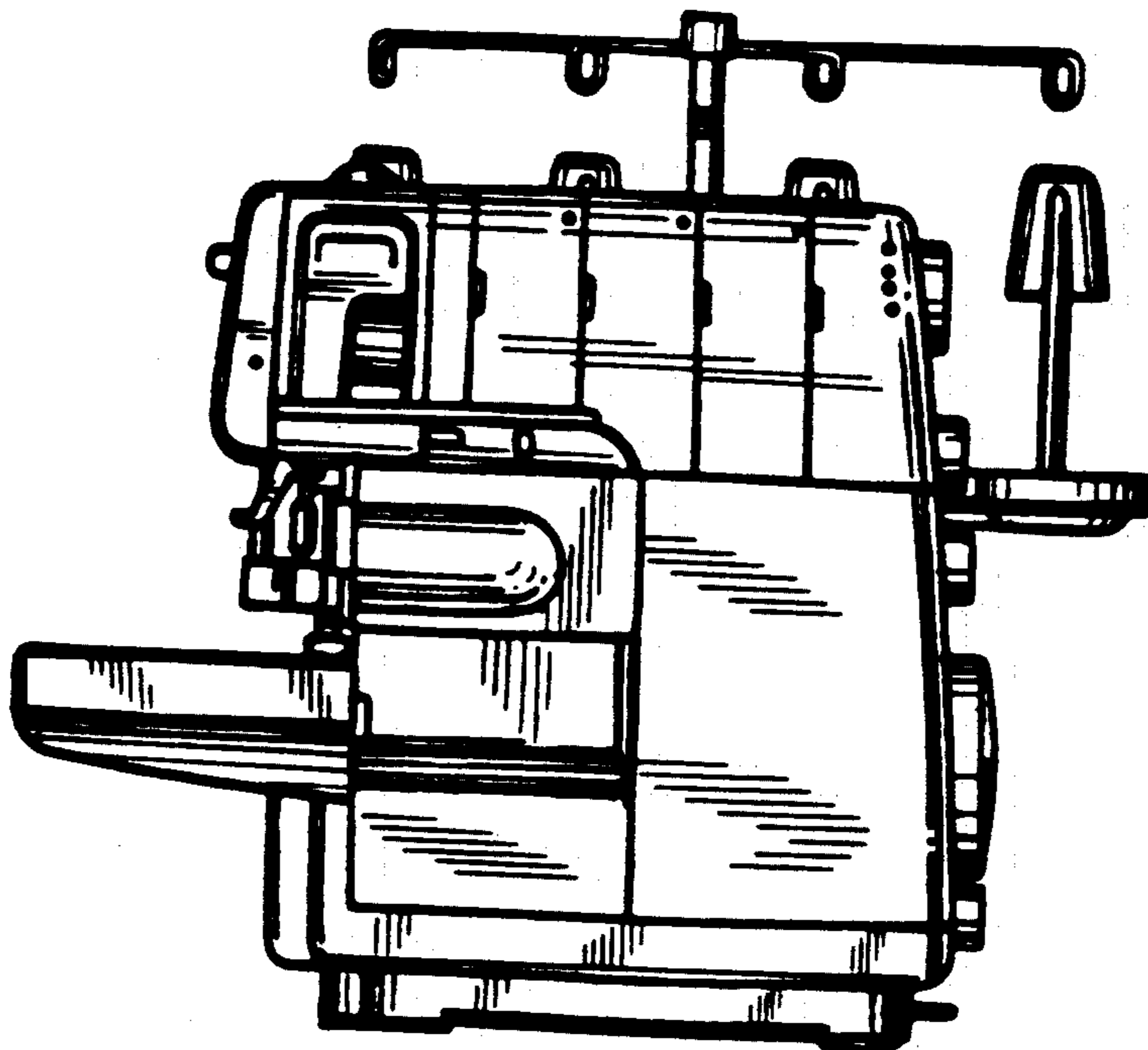


FIG.3

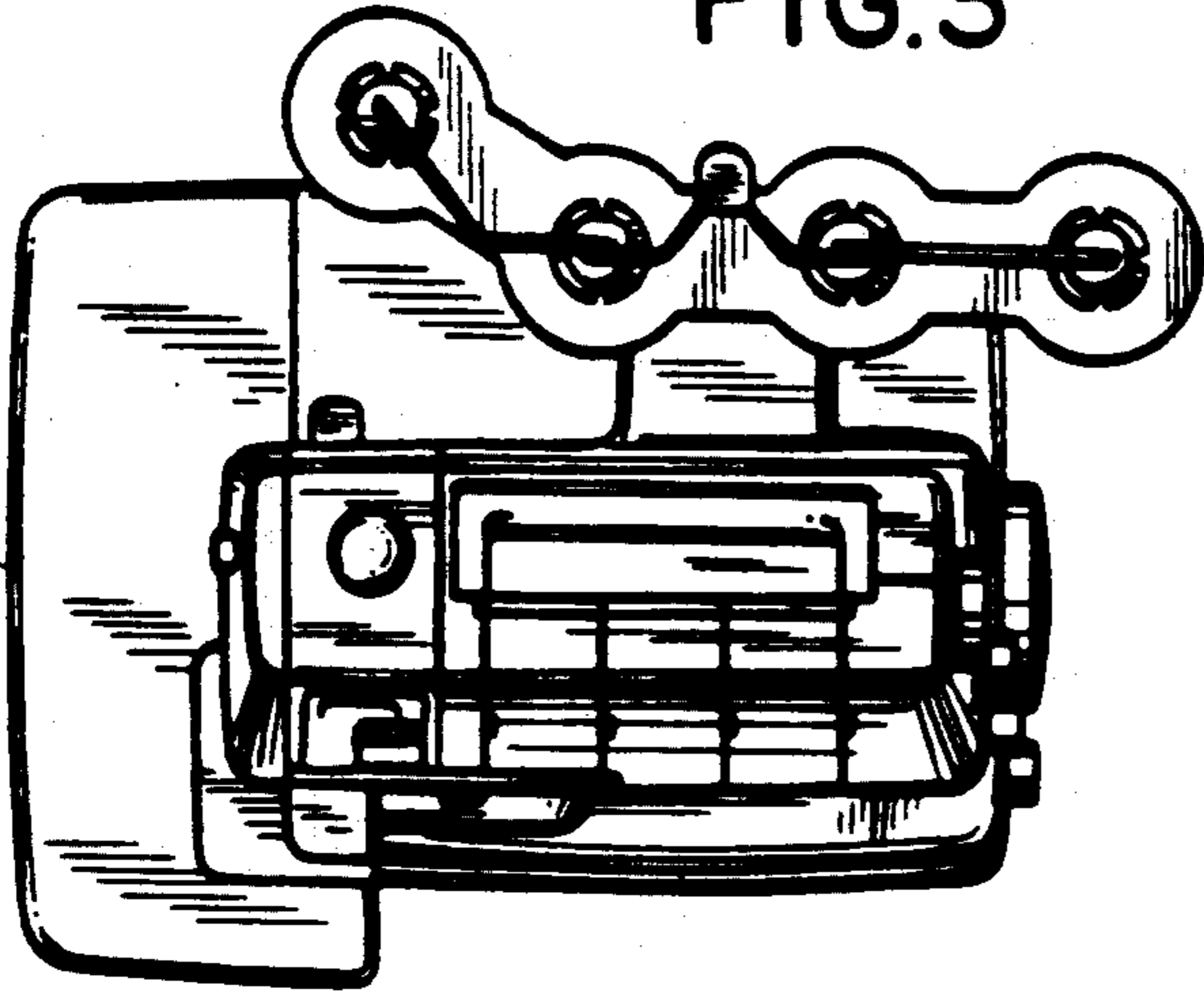


FIG.4

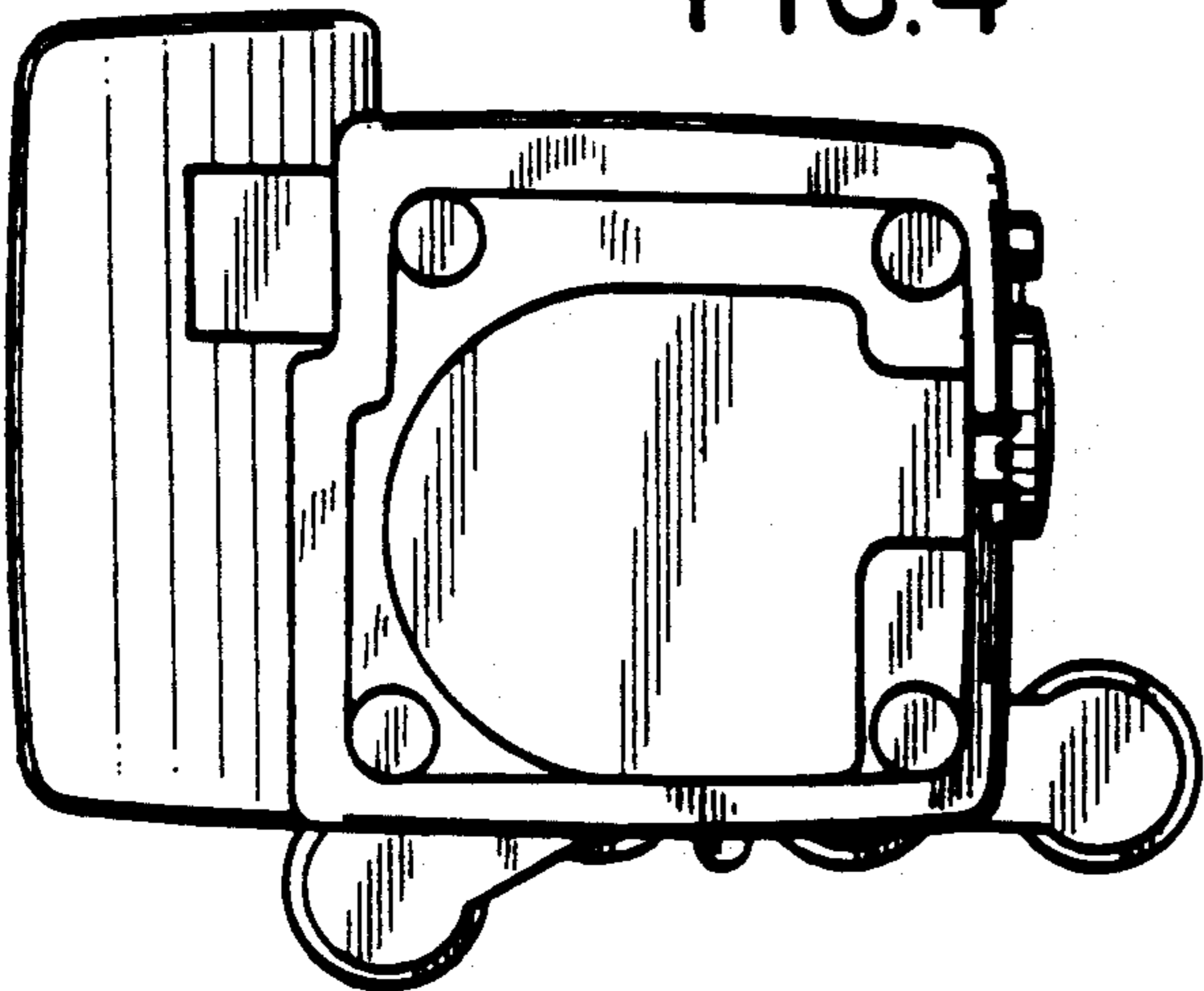


FIG.5

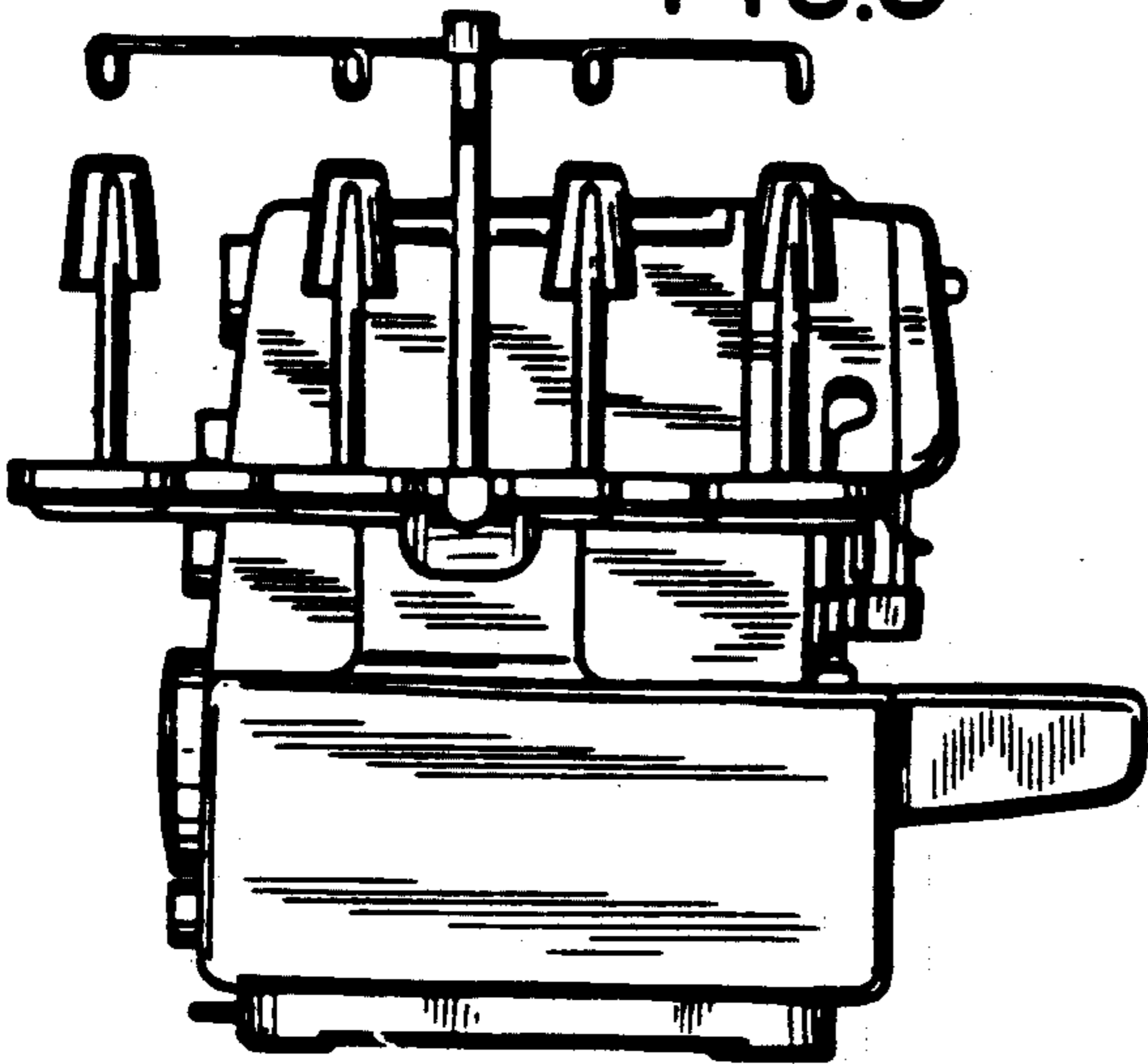


FIG.6

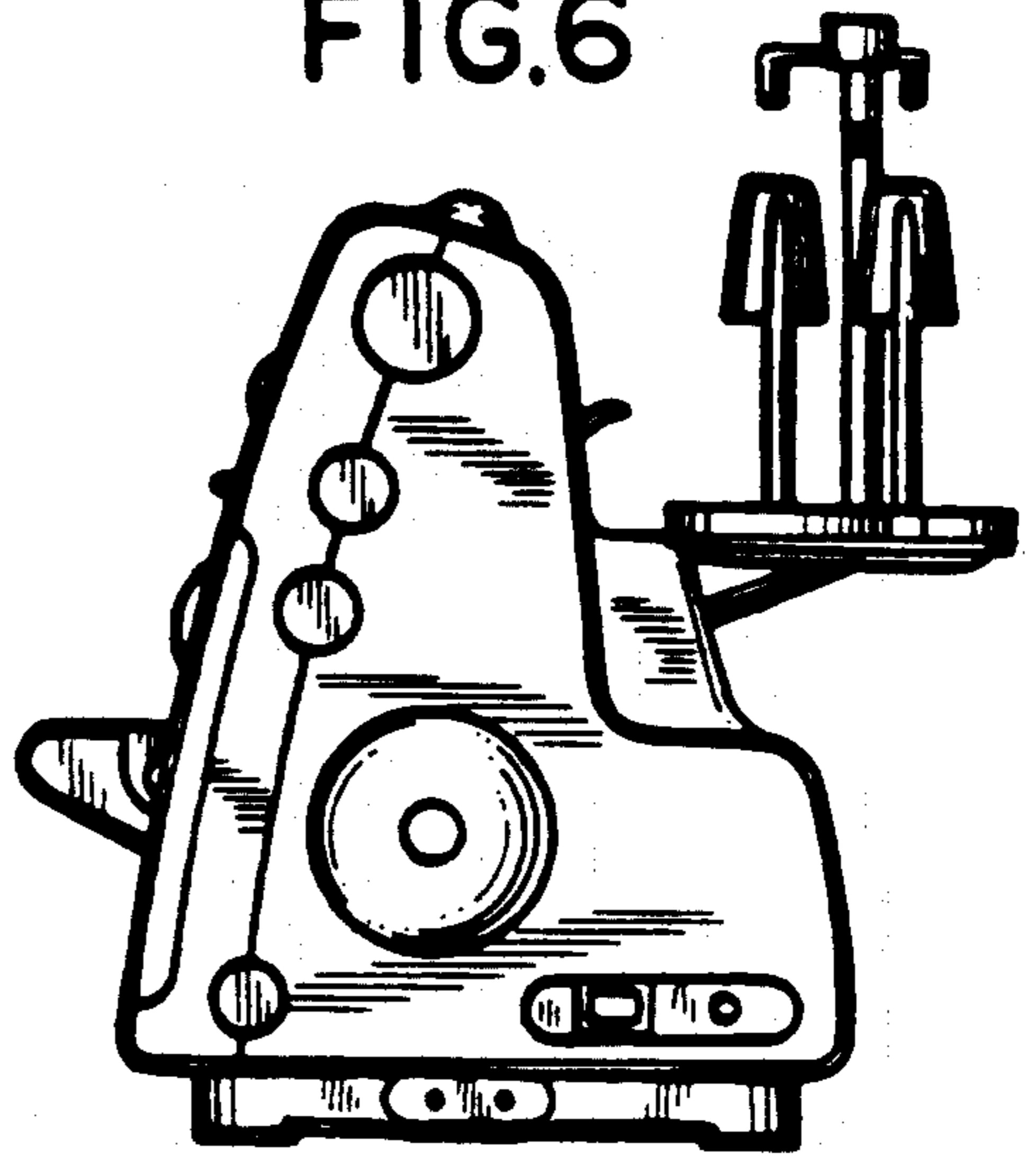


FIG.7

