



US00D338021S

United States Patent [19]

[11] Patent Number: Des. 338,021

Uchida

[45] Date of Patent: ** Aug. 3, 1993

[54] SEWING MACHINE

[75] Inventor: Koji Uchida, Tokyo, Japan

[73] Assignee: Janome Sewing Machine Co., Ltd., Tokyo, Japan

[**] Term: 14 Years

[21] Appl. No.: 786,984

[22] Filed: Nov. 4, 1991

[52] U.S. Cl. D15/69

[58] Field of Search D15/66-78;
112/258-261, 262.1

D. 307,024	4/1990	Itoh et al.	D15/69
D. 321,518	11/1991	Uchida	D15/69
4,407,211	10/1983	Kiyoshima	112/260
4,718,364	1/1988	Kessler	112/259

Primary Examiner—Bernard Ansher
Assistant Examiner—Sandra Morris
Attorney, Agent, or Firm—Michael J. Striker

[57] CLAIM

The ornamental design for a sewing machine, as shown and described.

DESCRIPTION

FIG. 1 is a front elevational view thereof;
FIG. 2 is a rear elevational view thereof;
FIG. 3 is a left elevational side view thereof;
FIG. 4 is a right elevational side view thereof;
FIG. 5 is a top plan view thereof;
FIG. 6 is a bottom plan view thereof; and,
FIG. 7 is a perspective view thereof.

[56] References Cited

U.S. PATENT DOCUMENTS

D. 267,881	2/1983	Current	D15/68
D. 303,117	8/1989	Aono et al.	D15/70
D. 307,023	4/1990	Eguchi	D15/69

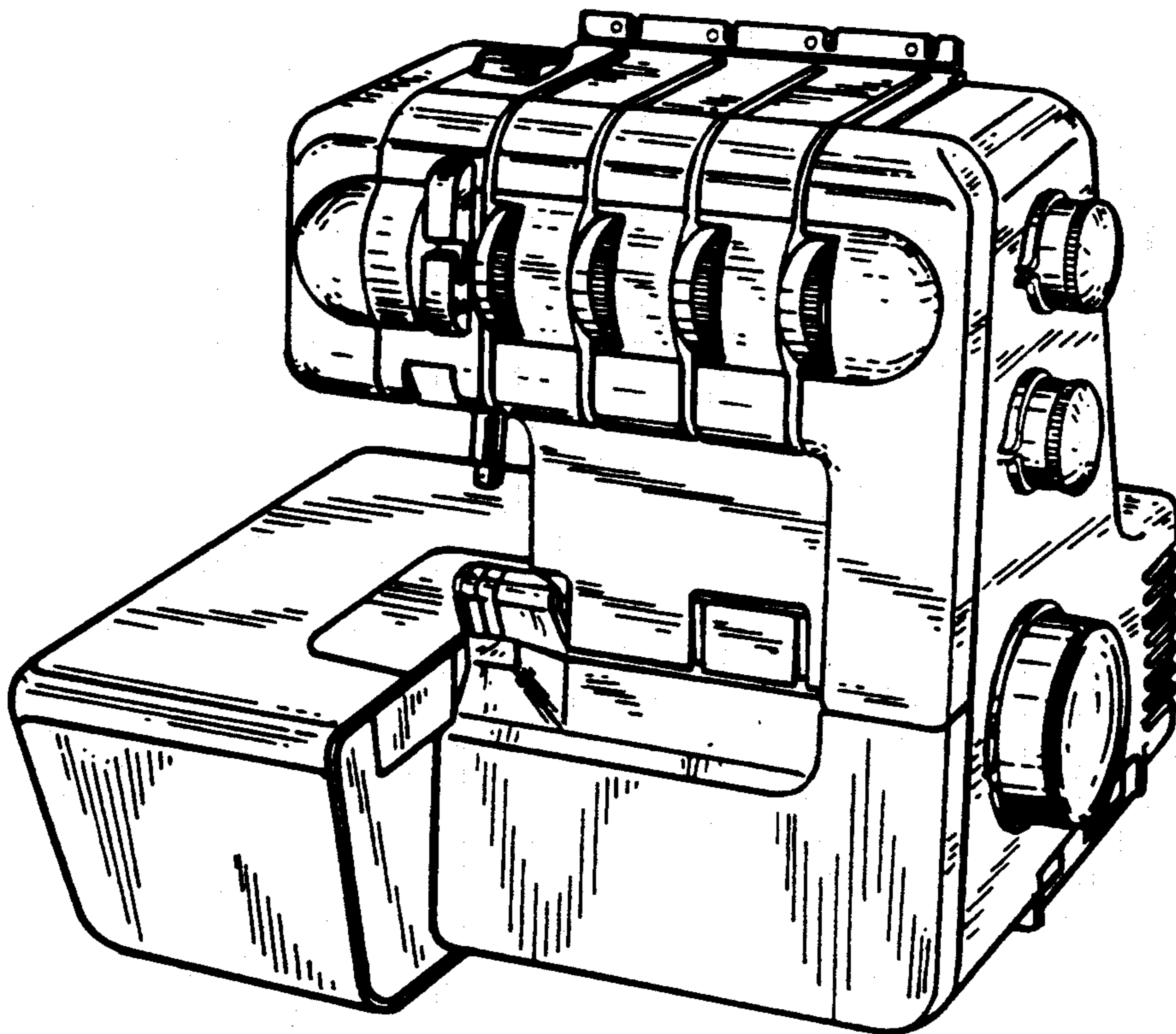


FIG. 1

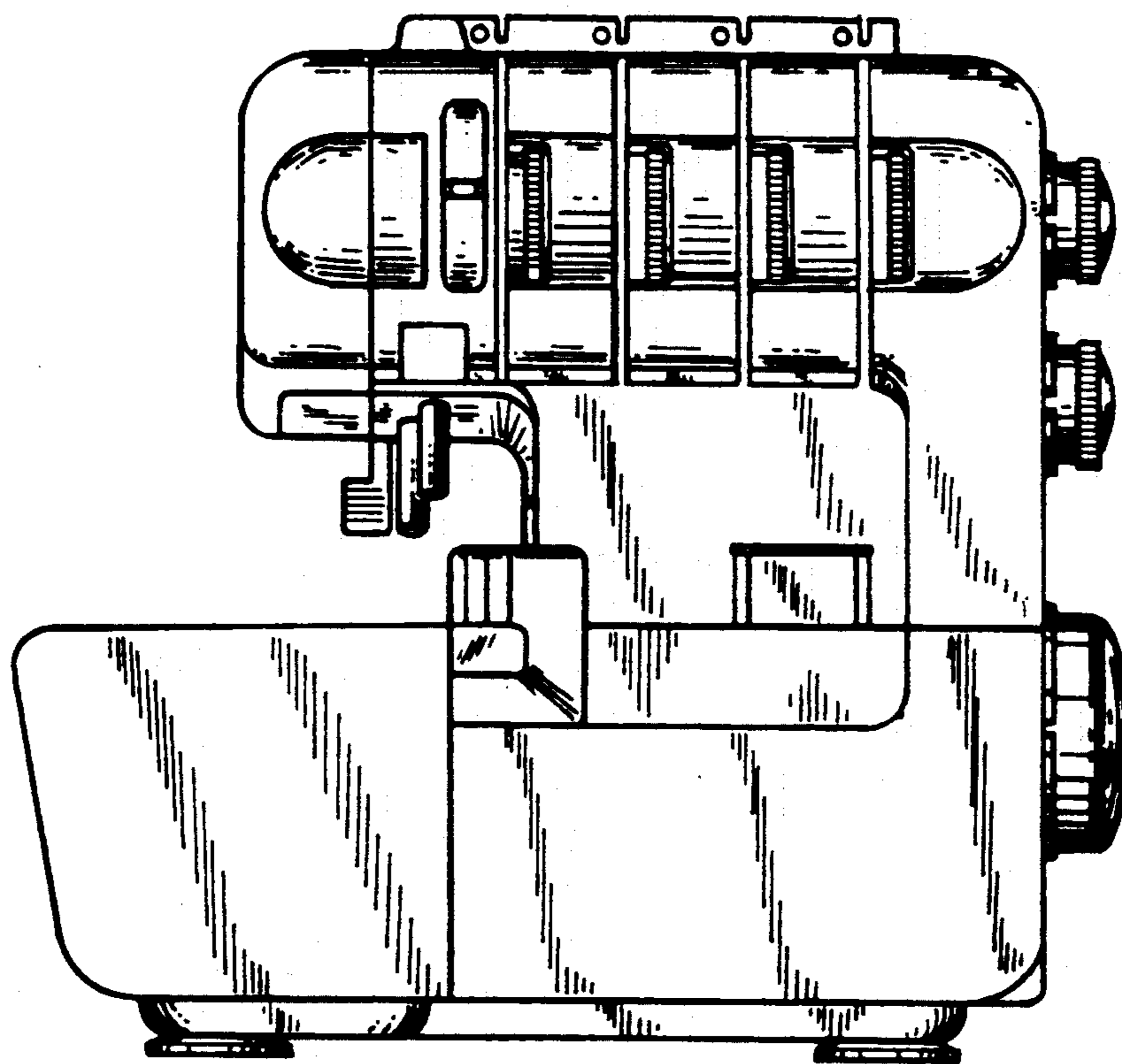


FIG. 2

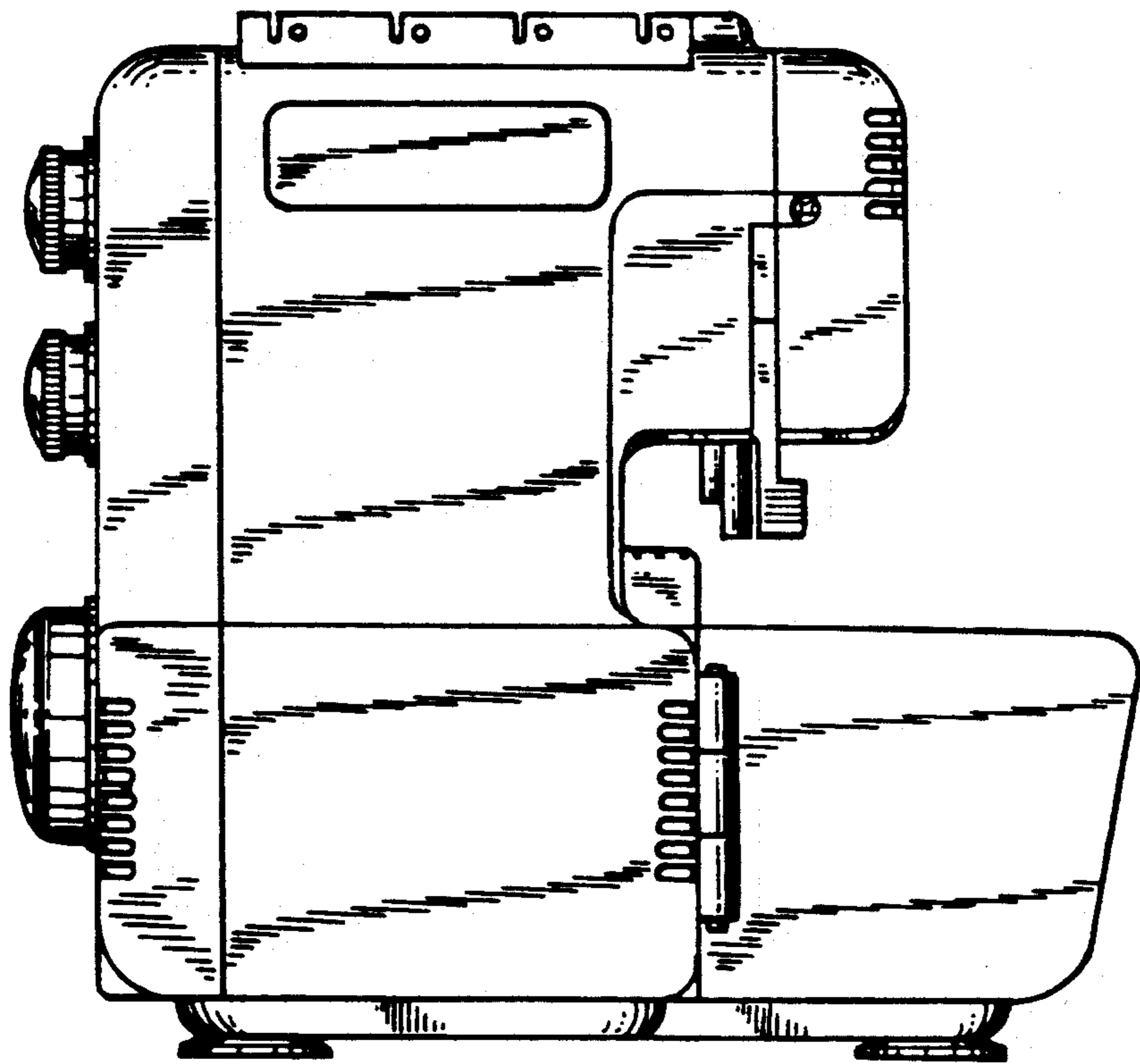


FIG. 3

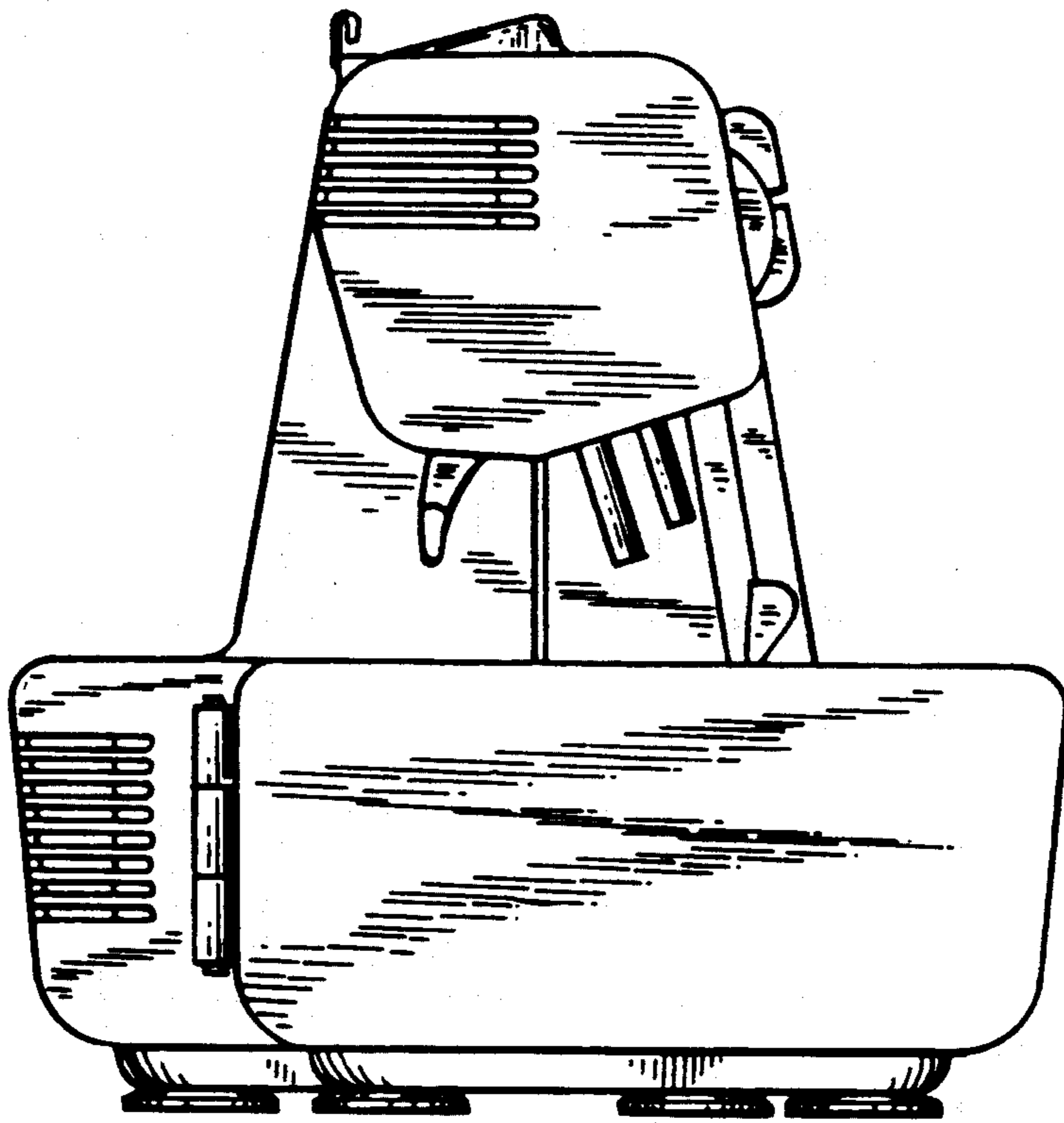


FIG. 4

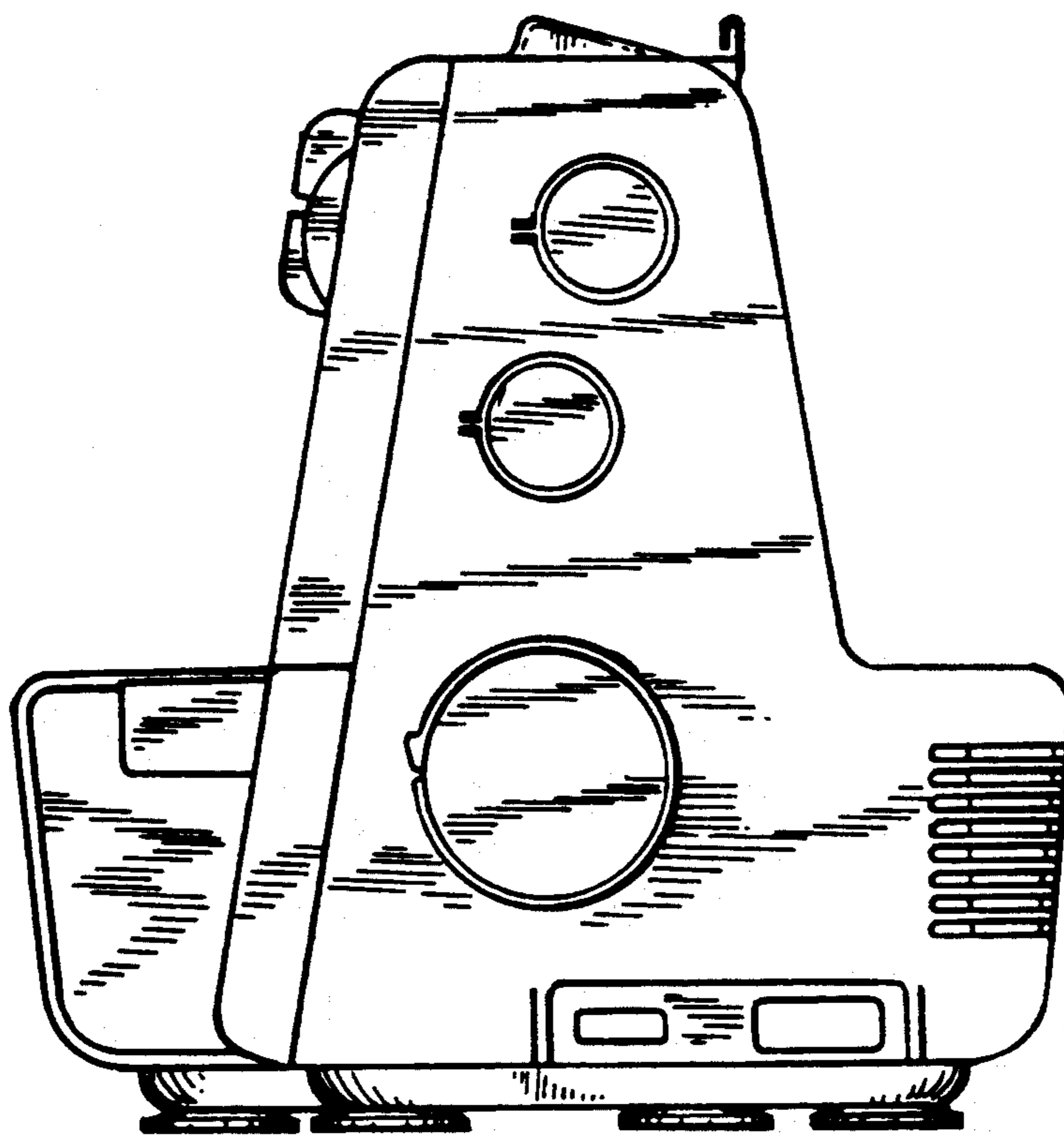


FIG. 5

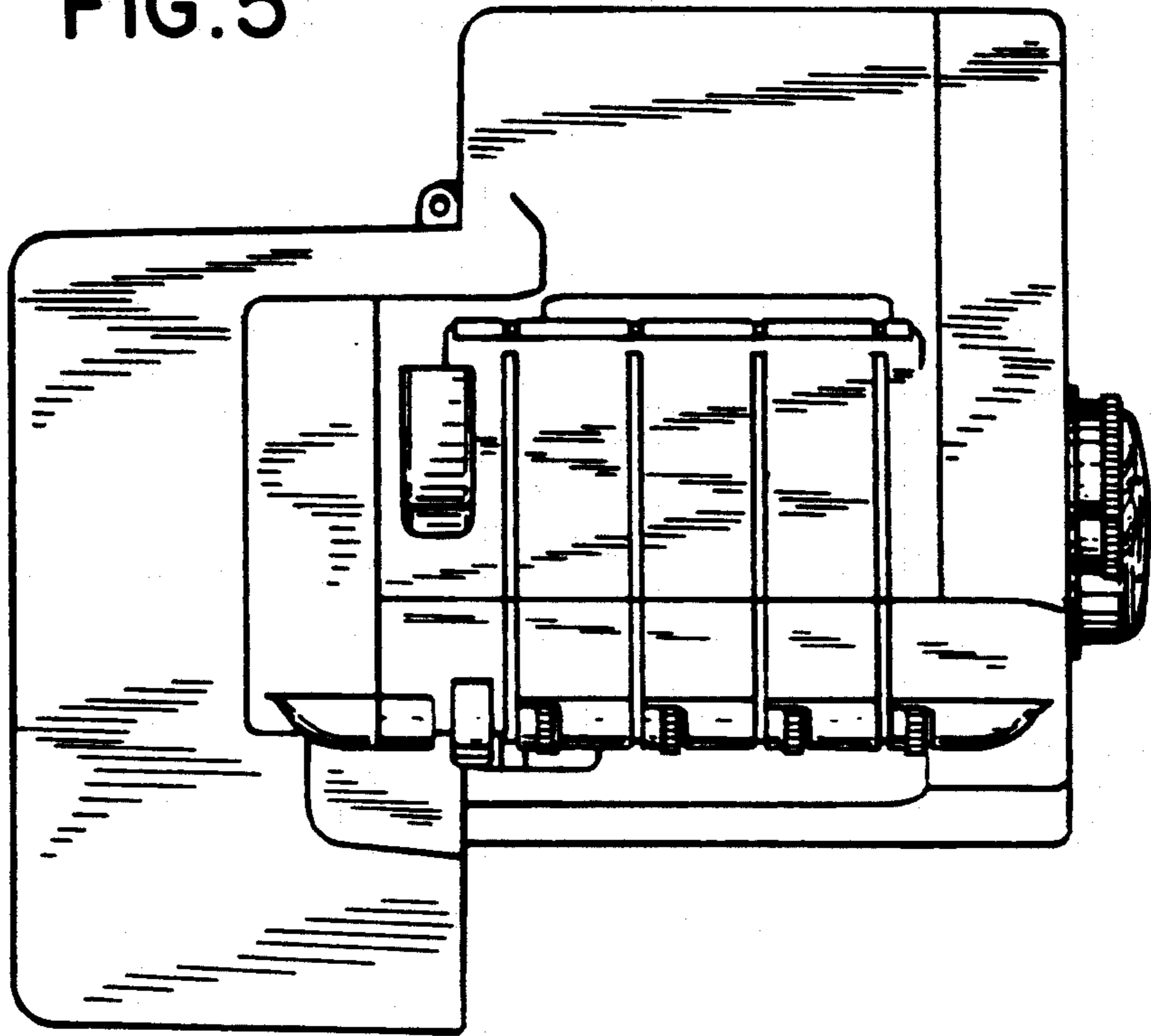


FIG. 6

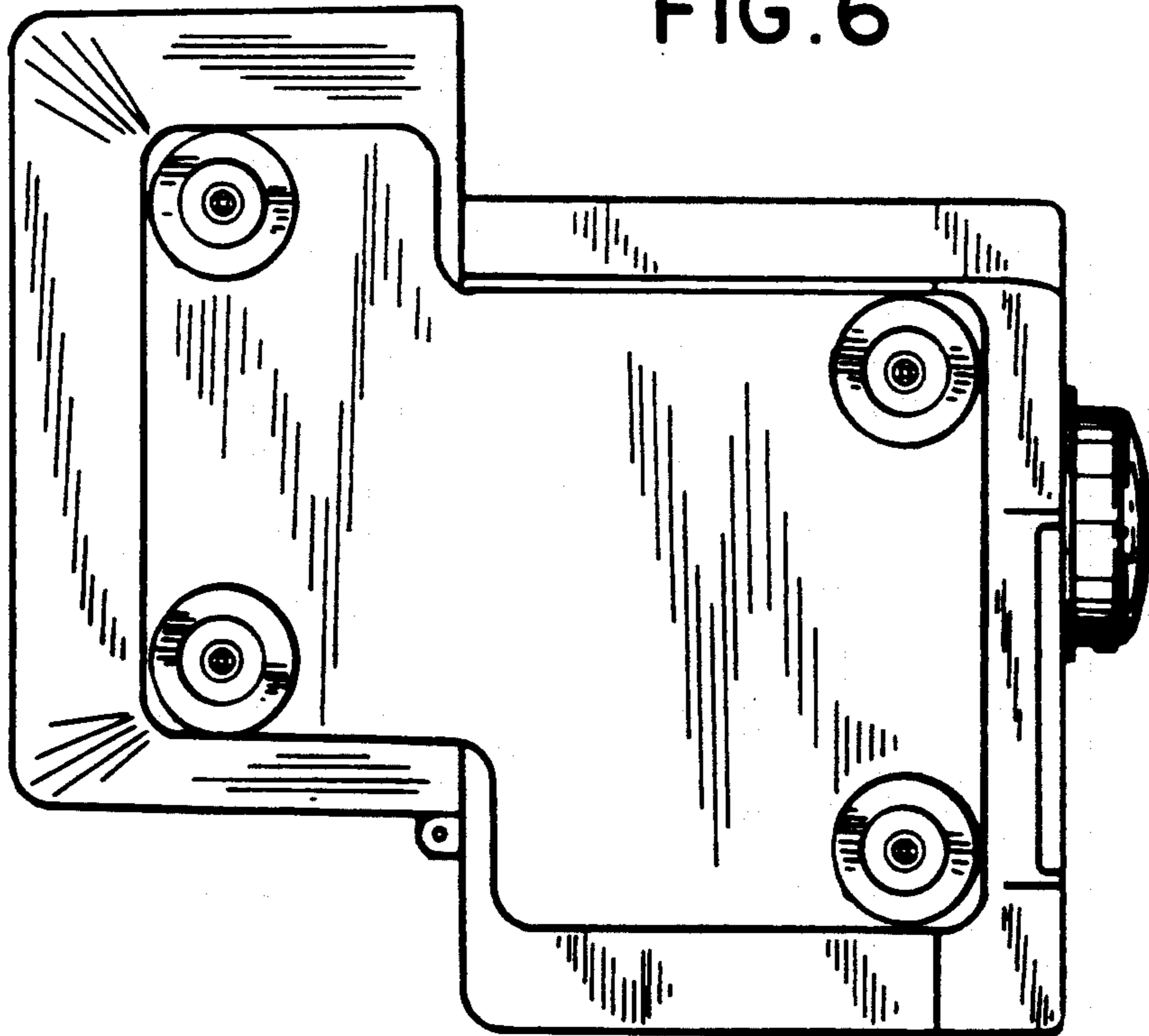


FIG. 7

