



US00D338019S

United States Patent [19]

[11] Patent Number: **Des. 338,019**

Bhambra

[45] Date of Patent: **** Aug. 3, 1993**

[54] **EXCAVATOR**

3,539,063 11/1970 Masura 446/425
4,397,481 8/1983 Dioh D15/24

[75] Inventor: **Randjit Bhambra**, Stuttgart, Fed. Rep. of Germany

OTHER PUBLICATIONS

Hong Kong Toys 1989 p. 328 lower left of page.

[73] Assignee: **Dr.Ing.h.c.F. Porsche AG**, Fed. Rep. of Germany

Primary Examiner—Bernard Ansher
Assistant Examiner—R. Barkai
Attorney, Agent, or Firm—Evenson, McKeown, Edwards & Lenahan

[**] Term: **14 Years**

[21] Appl. No.: **659,931**

[57] **CLAIM**

The ornamental design for an excavator, as shown and described.

[22] Filed: **Feb. 25, 1991**

[30] **Foreign Application Priority Data**

DESCRIPTION

Nov. 22, 1990 [DE] Fed. Rep. of Germany 9007759

[52] U.S. Cl. **D15/25; D21/132**

[58] **Field of Search** D21/71, 76, 80, 81, D21/121, 128, 132, 134, 137, 139, 140, 141, 159; D12/88, 135, 211; D15/22-25; D6/300; D34/12; 446/425, 424, 444, 455, 426, 440, 465, 456, 457, 470, 471; 280/87.042, 47.31, 47.26, 87.041, 47.27, 30, 206; 180/180

FIG. 1 is a front view of an excavator embodying my novel design;

FIG. 2 is a rear view thereof;

FIG. 3 is a left side view thereof;

FIG. 4 is a right side slightly inclined perspective view thereof;

FIG. 5 is a top perspective view thereof;

FIG. 6 is a right side perspective view taken from the front with a lever in an upright position thereof; and,

FIG. 7 is a left side perspective view taken from the front thereof.

[56] **References Cited**

U.S. PATENT DOCUMENTS

D. 190,591	6/1961	Alvaney	D21/132
D. 211,805	7/1968	Genin	D21/132
D. 275,107	8/1984	Crabiel	D15/25
D. 288,341	2/1987	Ohno	D21/132
1,792,851	2/1931	Marx	446/426
2,028,582	1/1936	Arden	446/425

The broken line showing of the support block seen underneath the cab of the excavator in FIGS. 1-7 is for illustrative purposes only and forms no part of the claimed design.

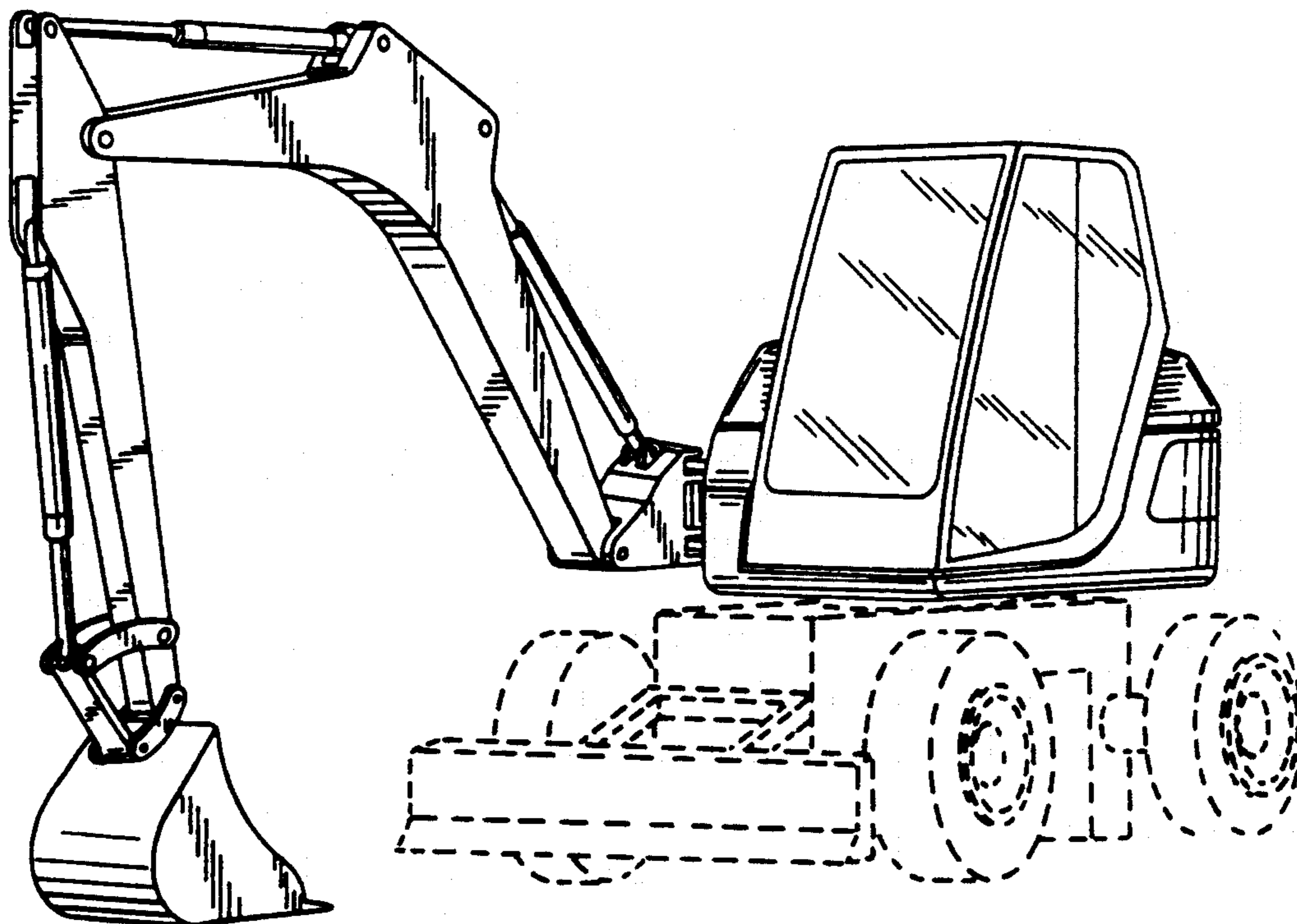


FIG. 1

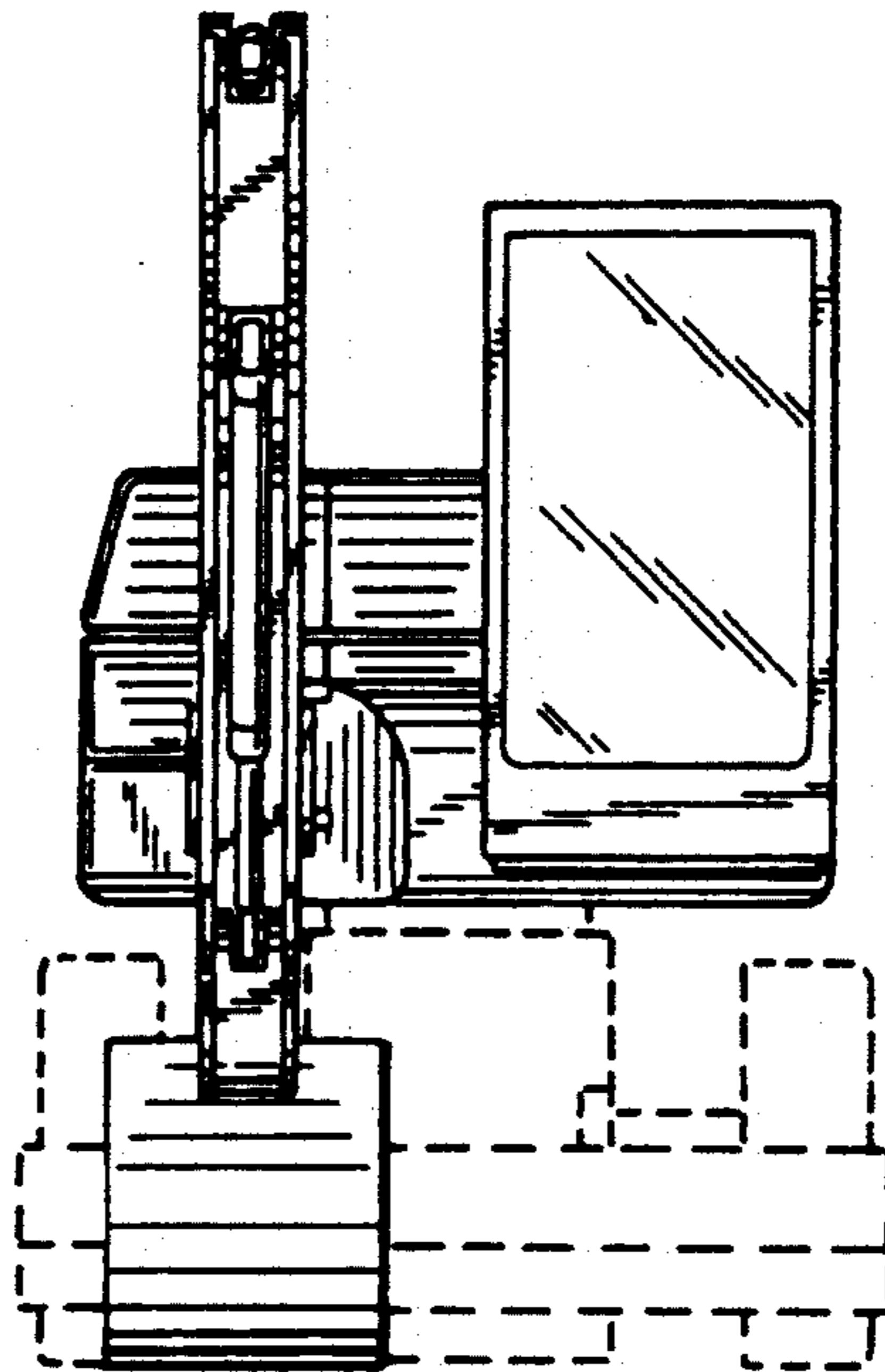


FIG. 2

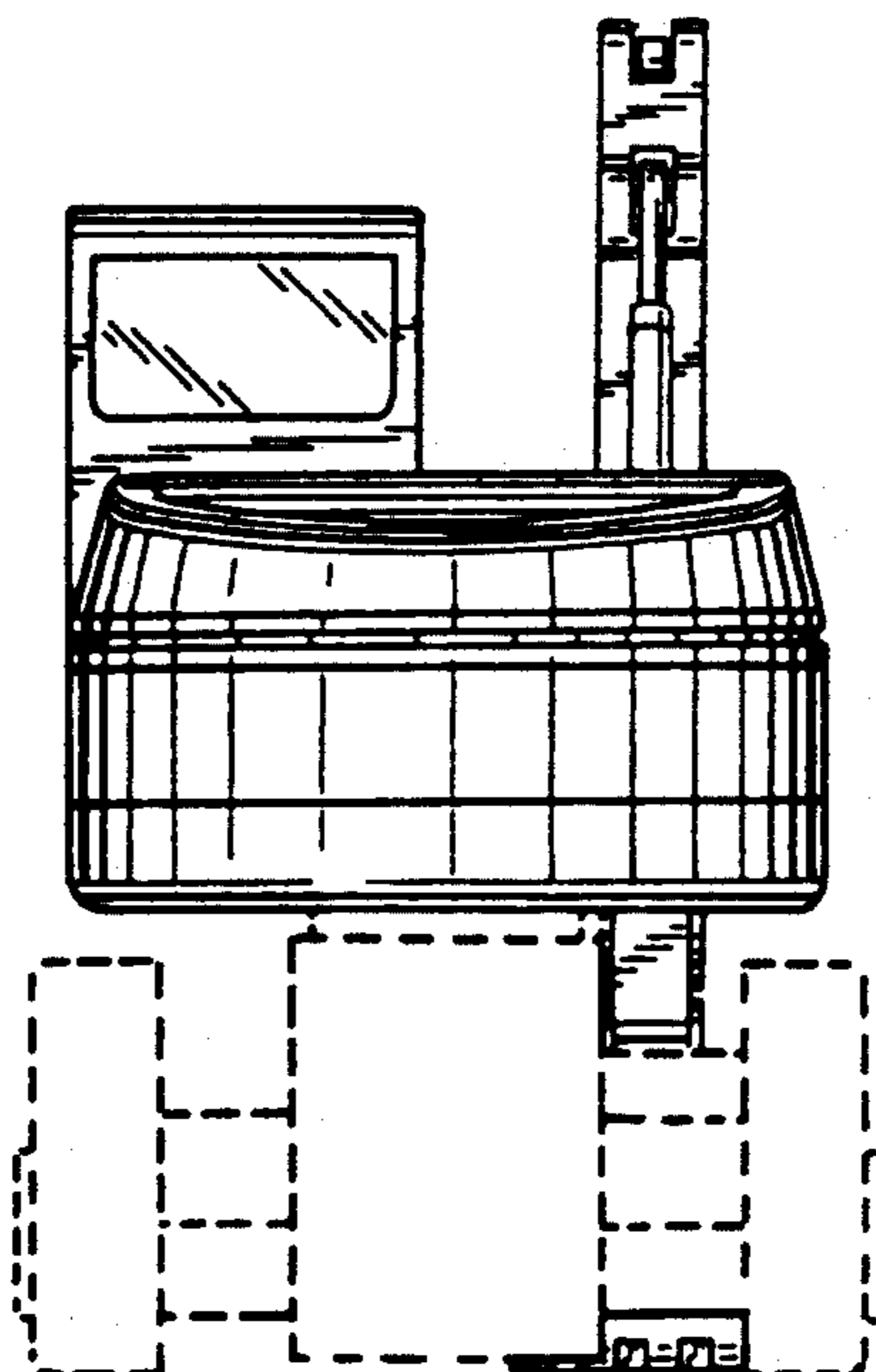


FIG. 3

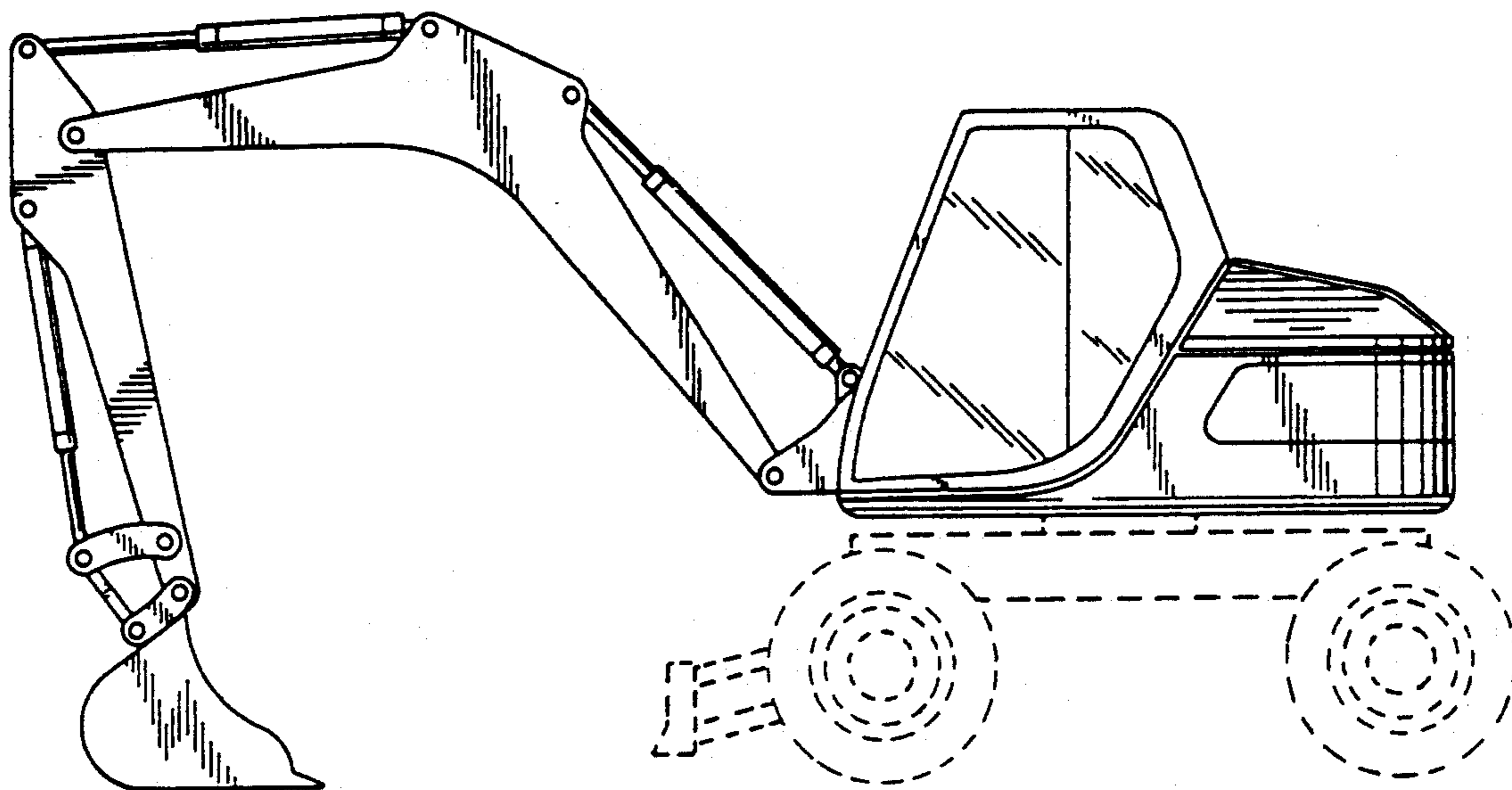


FIG. 4

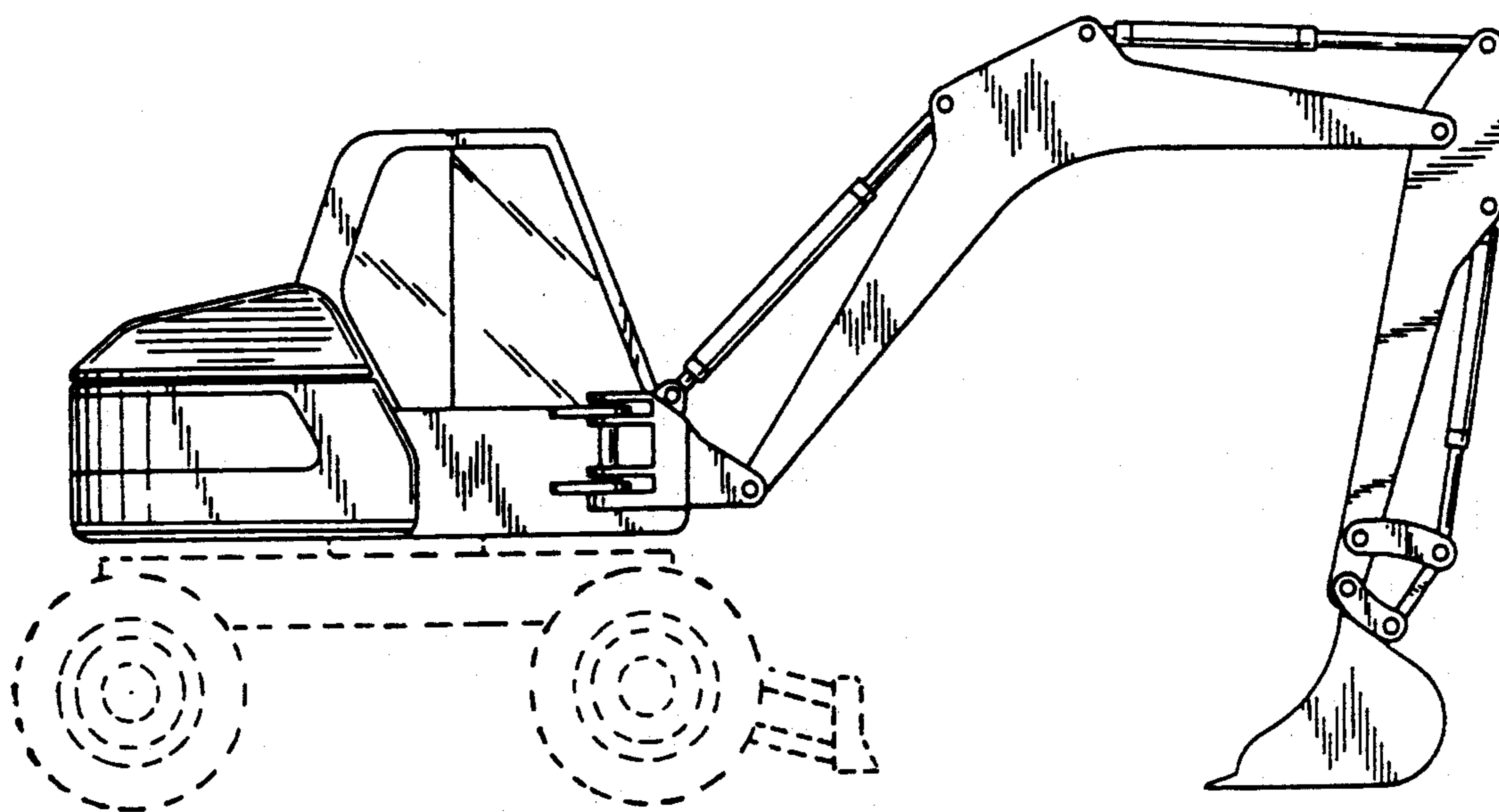


FIG. 5

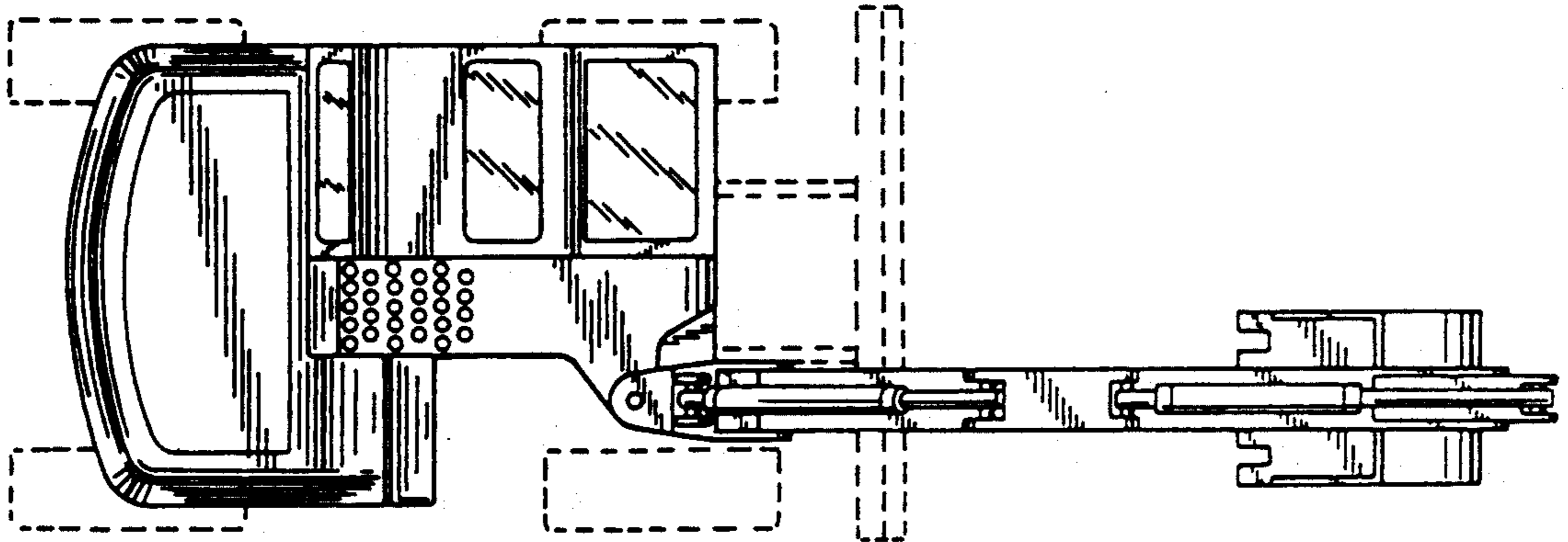


FIG. 6

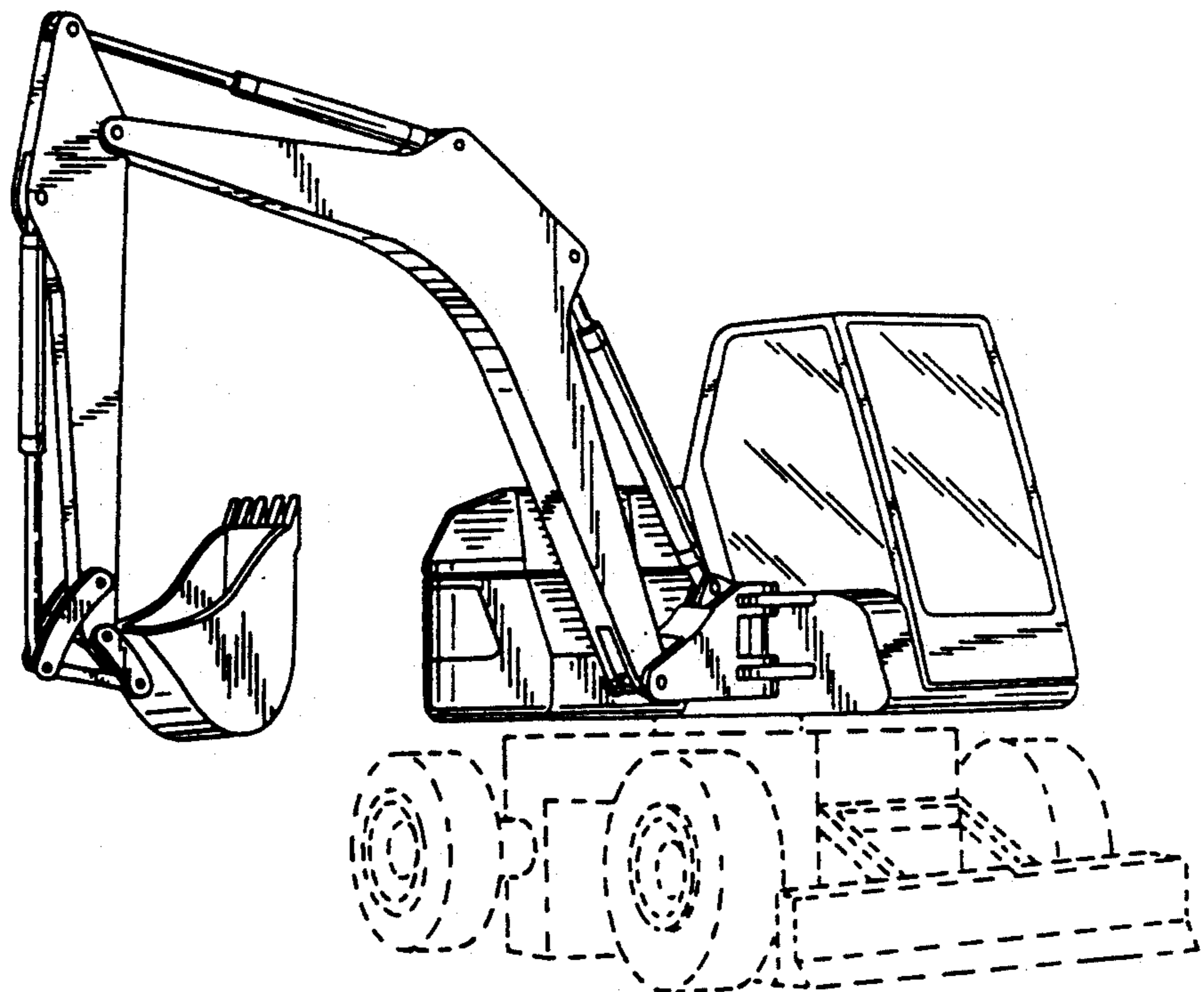


FIG. 7

