



US00D338018S

United States Patent [19]

[11] Patent Number: **Des. 338,018**

Willinger et al.

[45] Date of Patent: **** Aug. 3, 1993**

[54] AIR PUMP

[75] Inventors: **Allan H. Willinger, Franklin Lakes; Jonathan Willinger, Tenafly, both of N.J.**

[73] Assignee: **Willinger Bros., Inc., Oakland, N.J.**

[**] Term: **14 Years**

[21] Appl. No.: **820,393**

[22] Filed: **Jan. 14, 1992**

[52] U.S. Cl. **D15/8**

[58] Field of Search **D15/7-9; 417/234, 413 R, 410 R, 411**

[56] **References Cited**

U.S. PATENT DOCUMENTS

D. 210,919 4/1968 Danner D15/7

- D. 224,356 7/1972 Kondo D15/8
- D. 247,437 3/1978 Willinger D15/8
- D. 253,652 12/1979 Maryanski D15/8
- D. 306,447 3/1990 Whitley, II D15/7

Primary Examiner—A. Hugo Word
Assistant Examiner—R. Seifert
Attorney, Agent, or Firm—Helfgott & Karas

[57] **CLAIM**

The ornamental design for an air pump, as shown.

DESCRIPTION

FIG. 1 is a perspective view of an air pump showing our new design;

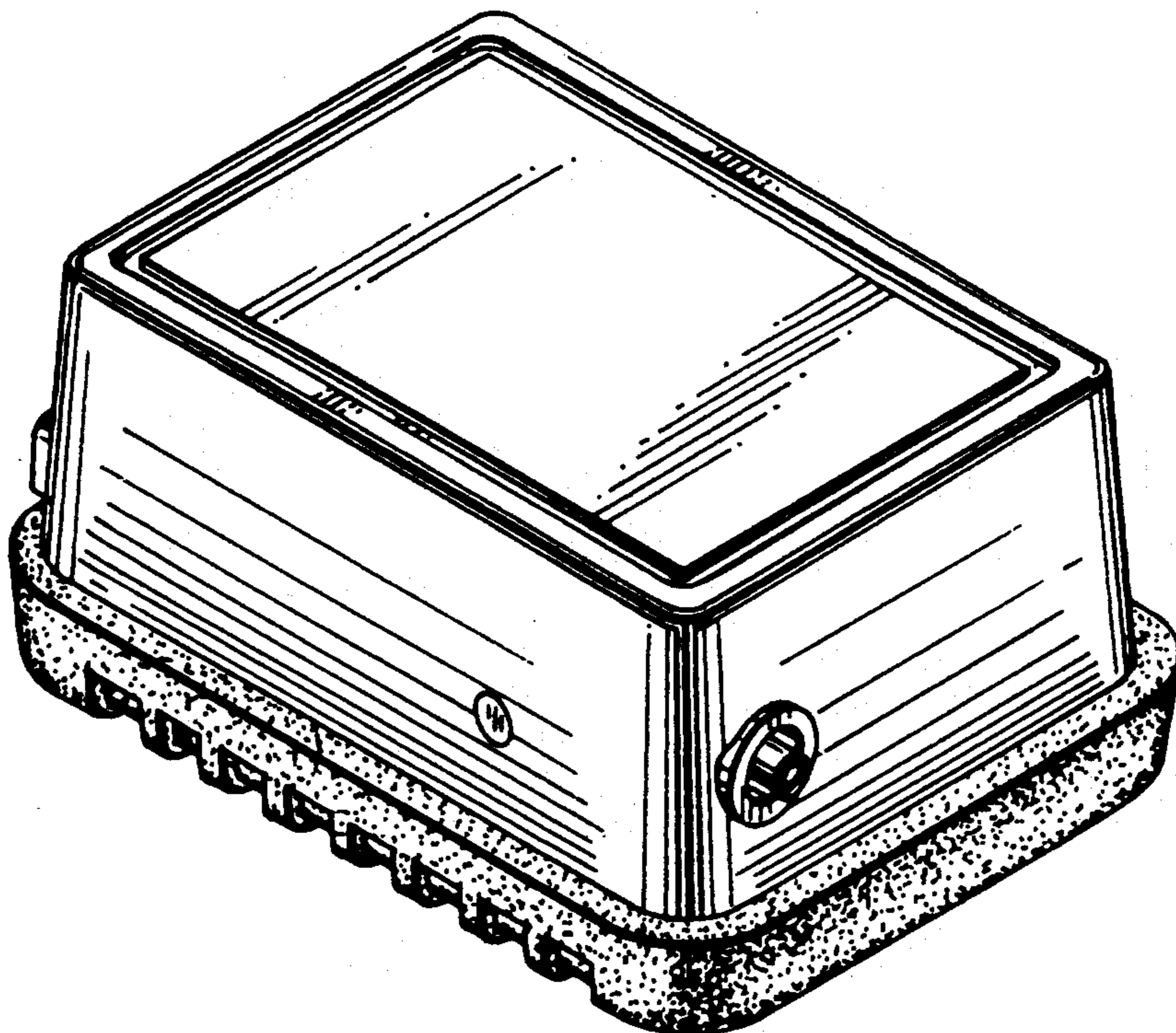
FIG. 2 is a top view thereof;

FIG. 3 is a right side view thereof;

FIG. 4 is a left side view thereof;

FIG. 5 is a rear view thereof, and,

FIG. 6 is a bottom view thereof.



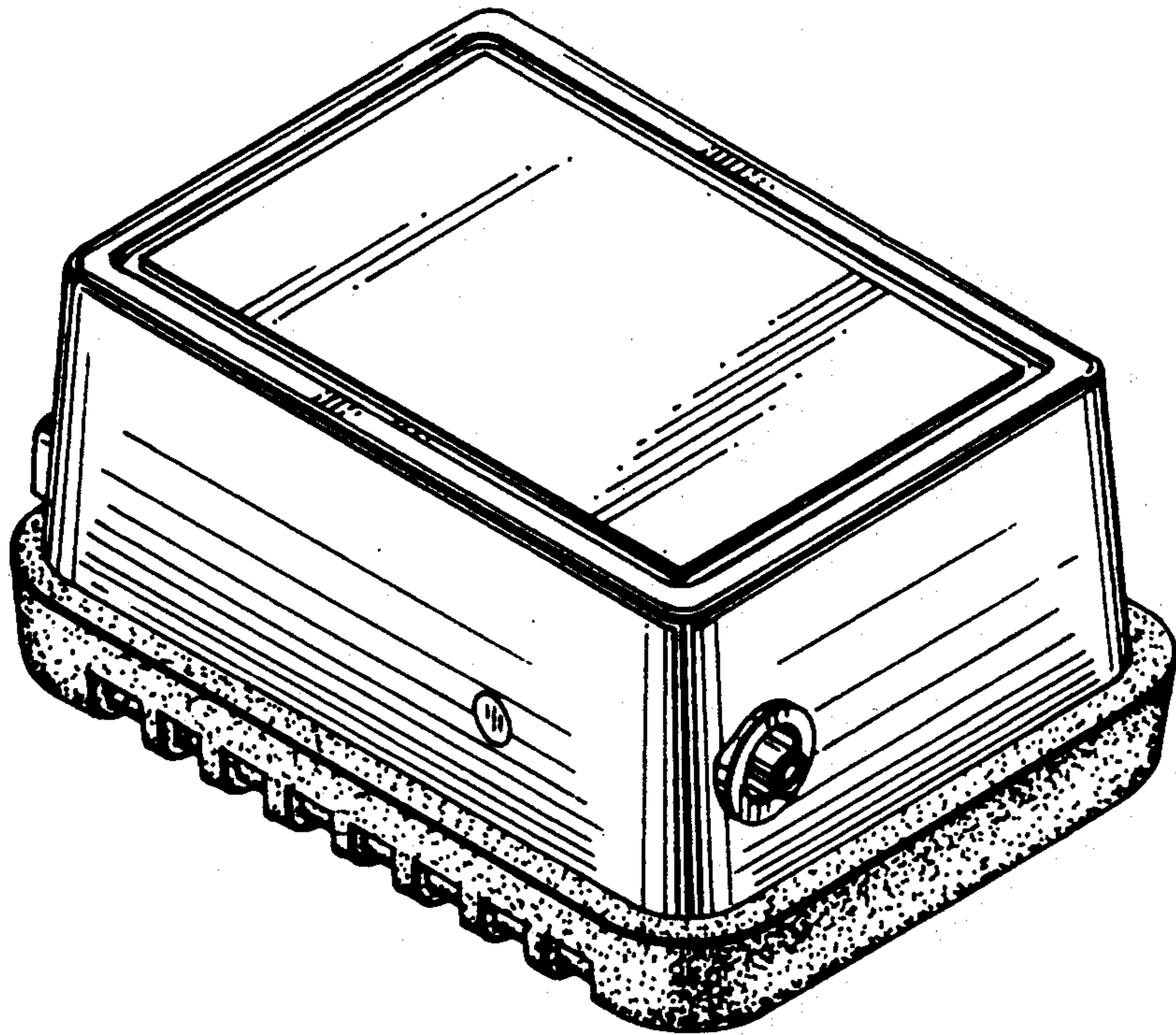


FIG. 1

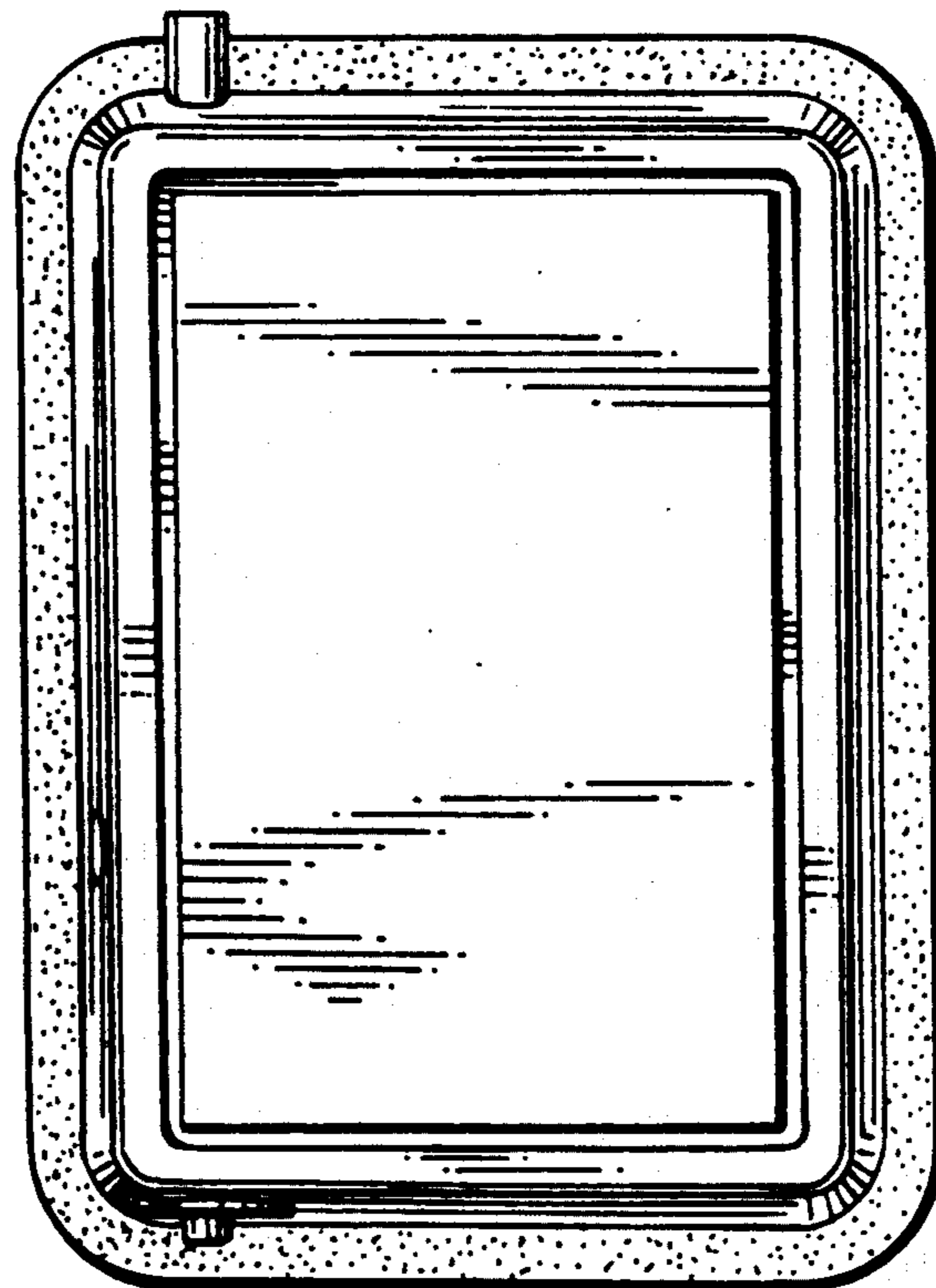


FIG. 2

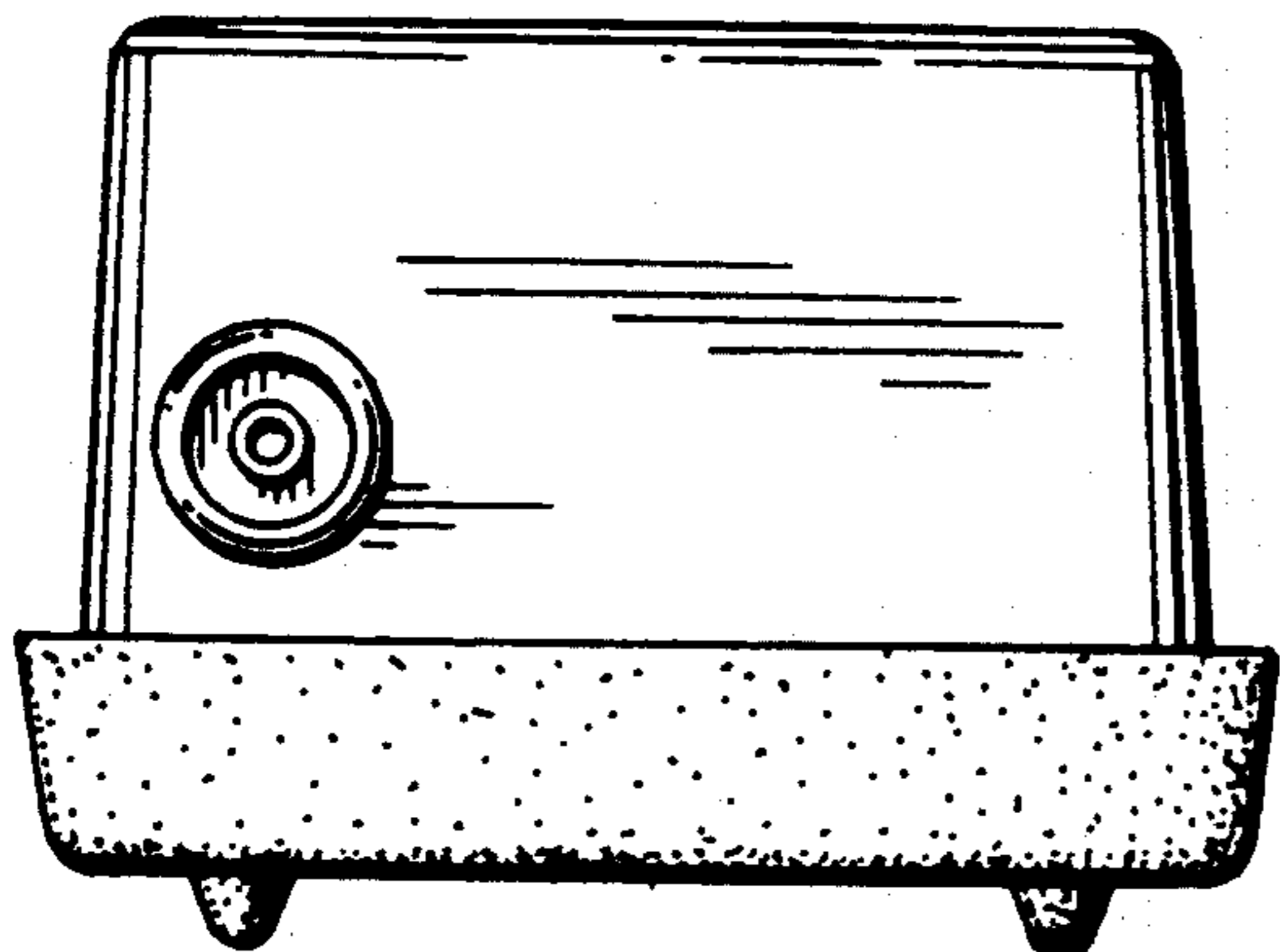


FIG. 3

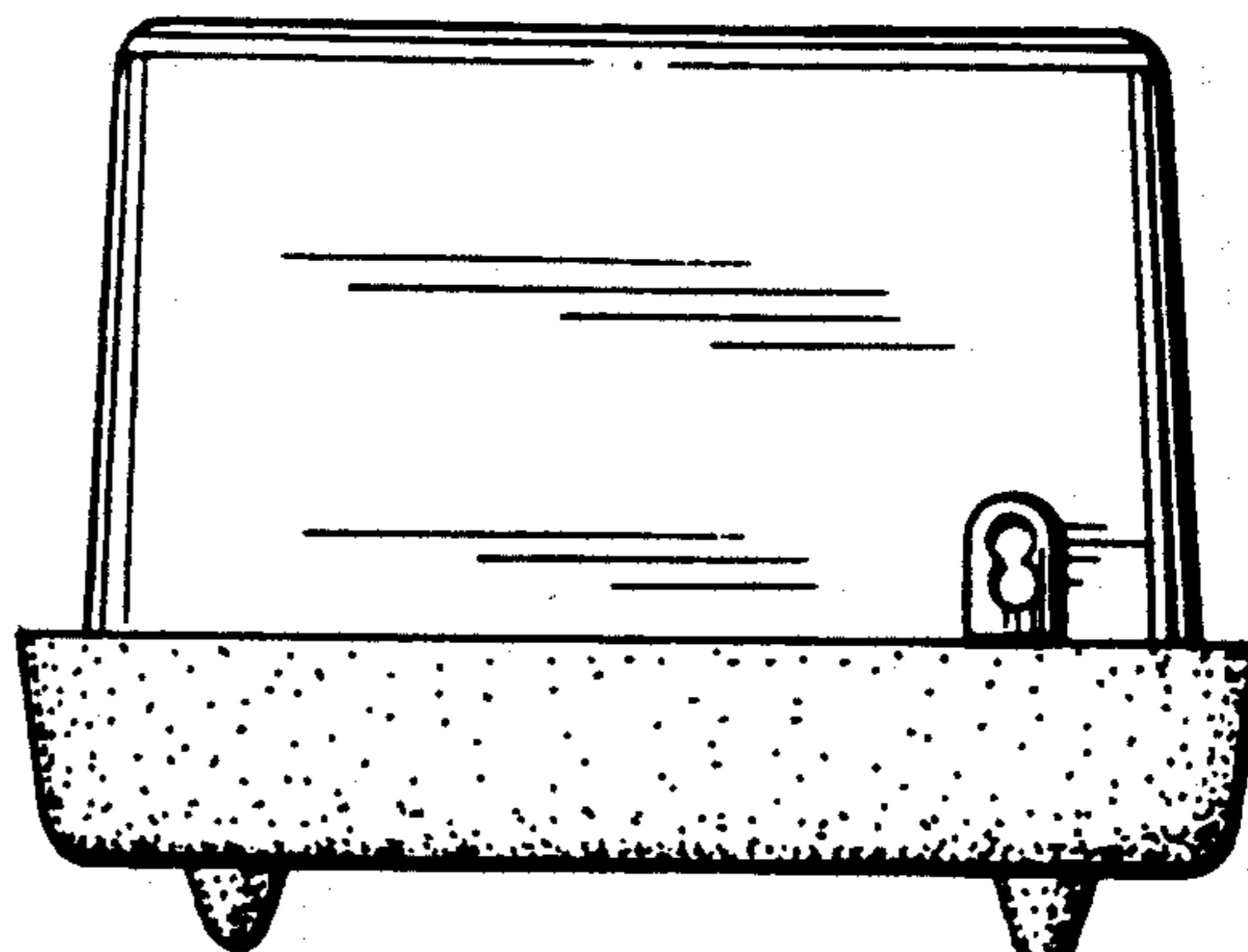


FIG. 4

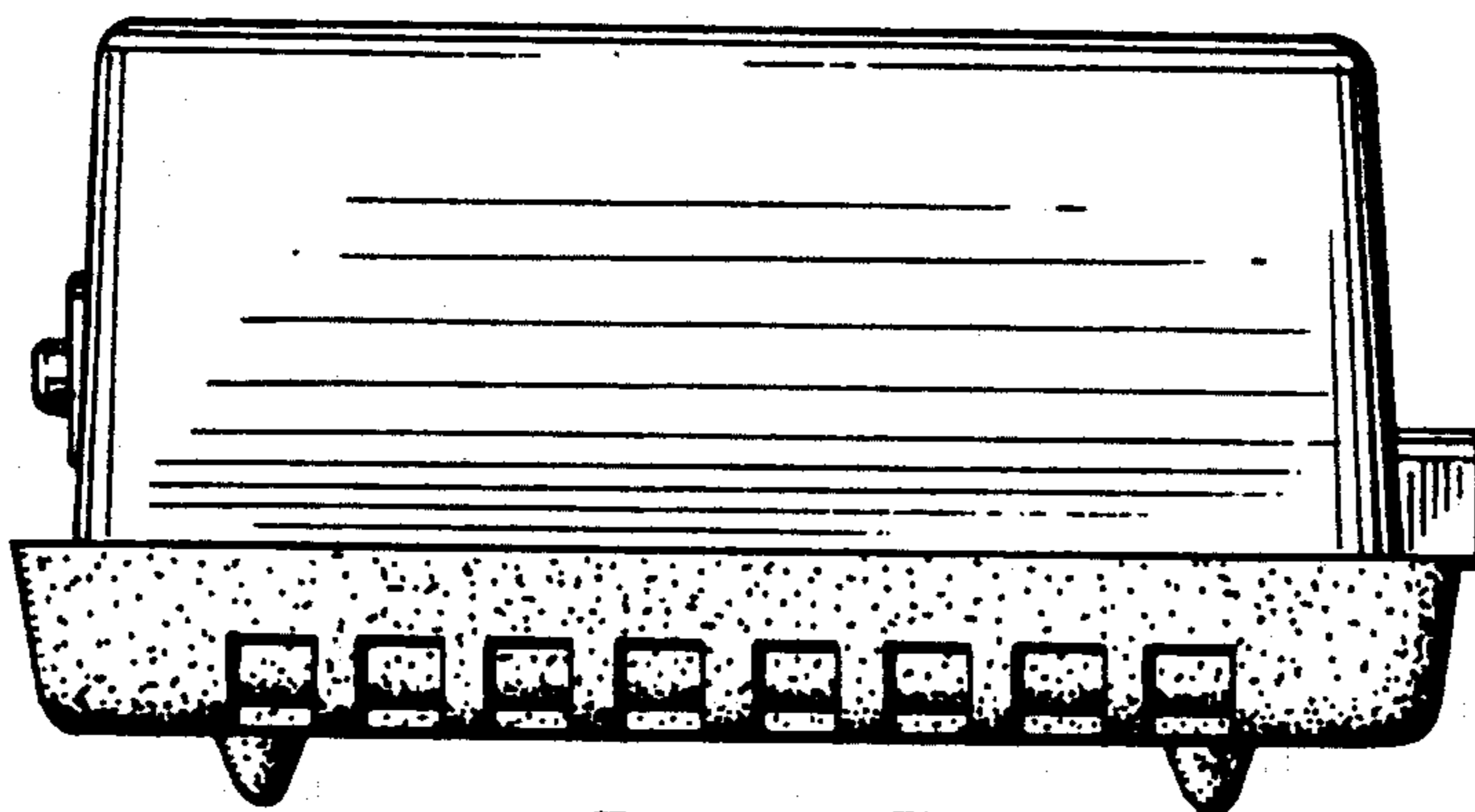


FIG. 5

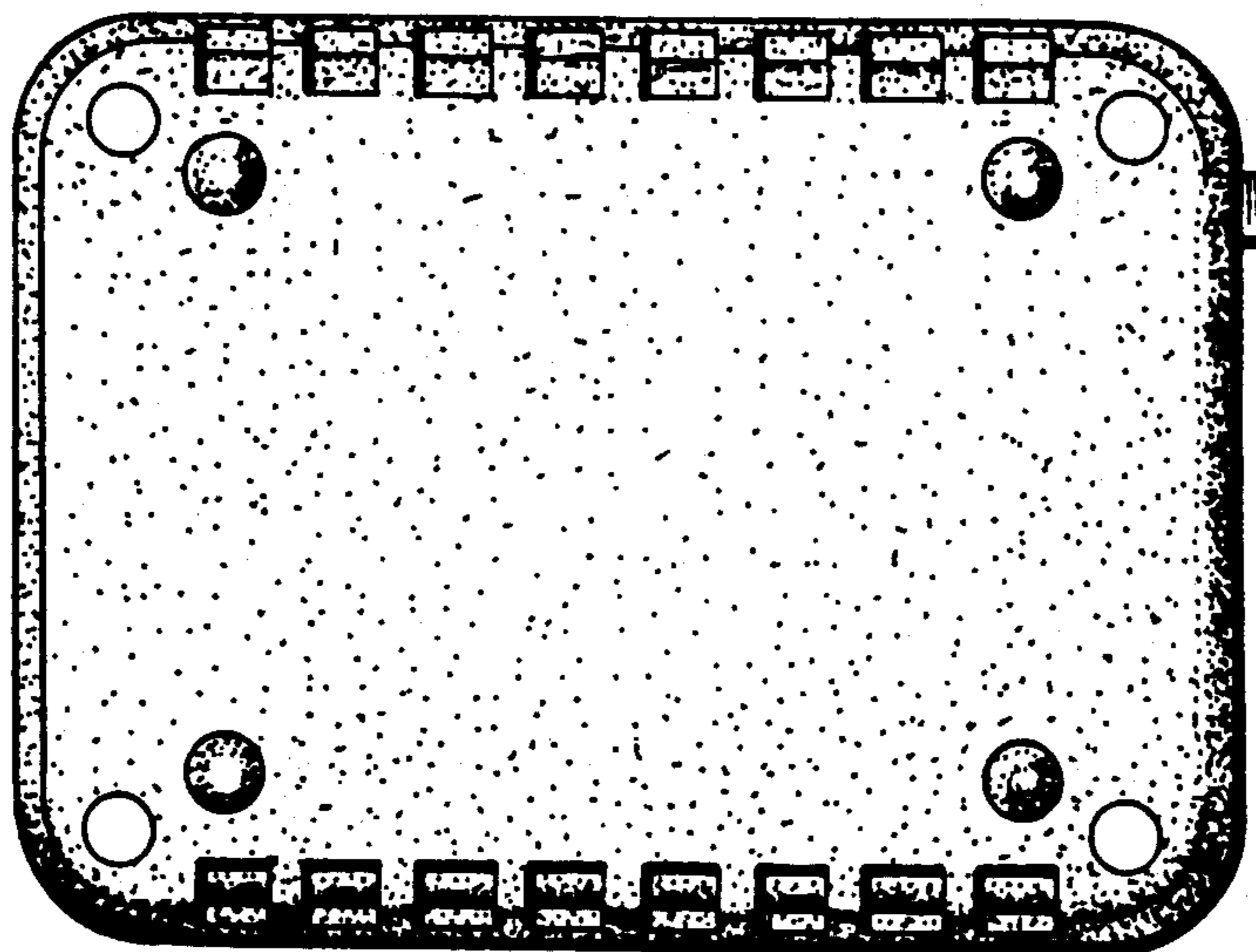


FIG. 6