



US00D338012S

United States Patent [19]

[11] Patent Number: Des. 338,012

Wall et al.

[45] Date of Patent: ** Aug. 3, 1993

[54] MICROPHONE HOUSING

[75] Inventors: Eugene J. Wall, LaGrange; Bruce D. Hillier, Barrington, both of Ill.

[73] Assignee: Motorola, Inc., Schaumburg, Ill.

[**] Term: 14 Years

[21] Appl. No.: 779,552

[22] Filed: Oct. 18, 1991

[52] U.S. Cl. D14/225

[58] Field of Search D14/137, 138, 204, 225-229; 381/91, 122, 155, 159, 168-170; 181/144

[56] References Cited

U.S. PATENT DOCUMENTS

- D. 256,236 8/1980 Nagele et al. D14/137
- D. 283,892 5/1986 Cutler D14/137

- D. 310,082 8/1990 Kehl et al. D14/227
- D. 313,024 12/1990 Richards et al. D14/137
- 4,582,162 4/1986 Katsuno 181/144
- 4,924,965 5/1990 Murayama et al. 181/144

Primary Examiner—Bernard Ansher
Assistant Examiner—Sandra Morris
Attorney, Agent, or Firm—Kenneth W. Bolvin

[57] CLAIM

The ornamental design for a microphone housing, as shown and described.

DESCRIPTION

FIG. 1 is a front, top, and left side perspective view of a microphone housing, showing our new design, the rear being plain and unornamented; FIG. 2 is a right elevational view thereof; and, FIG. 3 is a bottom elevational view thereof.

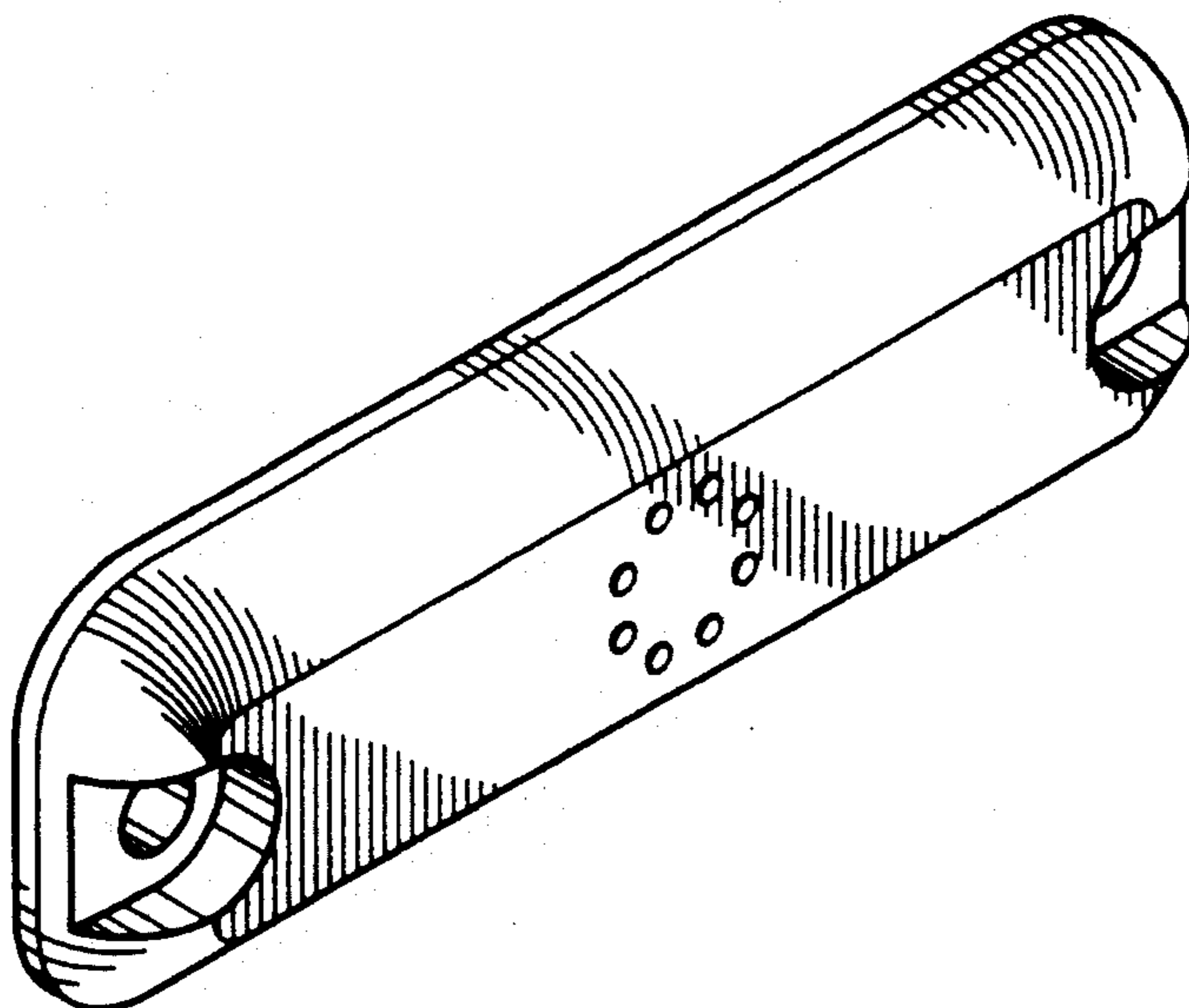


FIG. 1

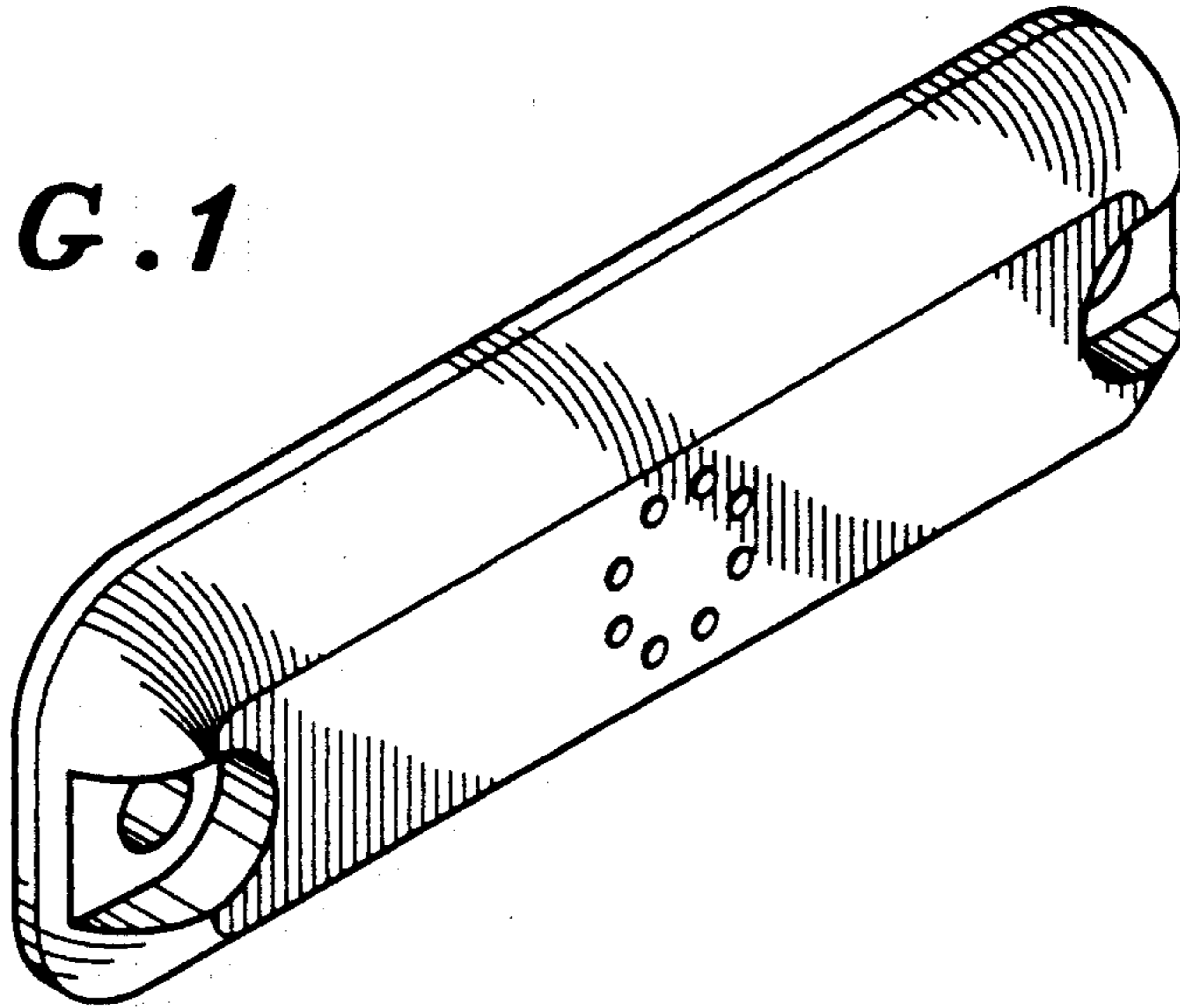


FIG. 2

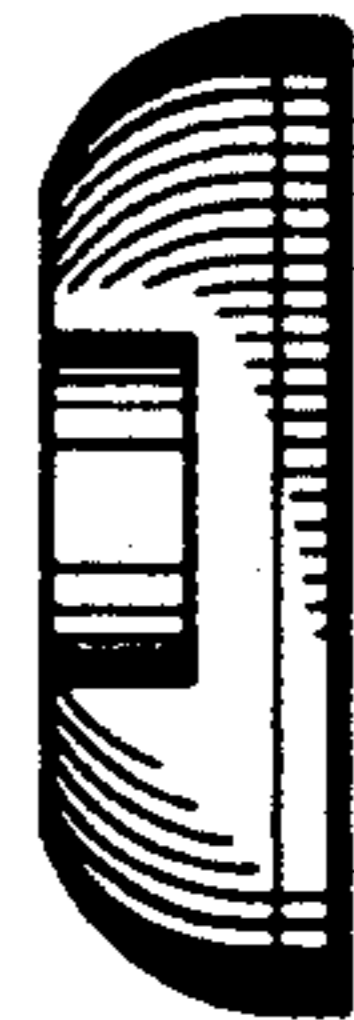


FIG. 3

