



US00D337999S

# United States Patent [19]

Garvin

[11] Patent Number: **Des. 337,999**

[45] Date of Patent: **\*\* Aug. 3, 1993**

[54] **ELECTRONIC PRICE DISPLAY FOR GROCERY STORE COUNTER**

[76] Inventor: **Donald Garvin, 1621 N.E. 43rd Ct., Pompano Beach, Fla. 33064-5930**

[\*\*] Term: **14 Years**

[21] Appl. No.: **618,828**

[22] Filed: **Nov. 27, 1990**

[52] U.S. Cl. .... **D14/113; D20/10; D20/43**

[58] Field of Search ..... **D20/10, 12, 39, 41, D20/43; D14/113; 40/446, 447, 448, 449; 235/454, 462, 470, 383**

[56] **References Cited**

**U.S. PATENT DOCUMENTS**

D. 273,109	3/1984	Breger	.....	D14/113
D. 274,728	7/1984	Shibata	.....	D14/113
D. 305,647	1/1990	Kato et al.	.....	D14/113
D. 312,619	12/1990	Smith et al.	.....	D14/113
3,159,937	12/1964	Barnes	.....	40/446
4,115,936	9/1978	Nidelkoff	.....	40/449

4,575,623	3/1986	Cononi	.
4,603,495	8/1986	Stevens	..... 40/446
4,661,001	4/1987	Takai	.
4,716,669	1/1988	Fast	.

*Primary Examiner*—Wallace R. Burke  
*Assistant Examiner*—Marcus Jackson  
*Attorney, Agent, or Firm*—Terry H. Gernstein

[57] **CLAIM**

The ornamental design for an electronic price display for grocery store counters, as shown and described.

**DESCRIPTION**

FIG. 1 is a perspective view of an electronic price display for grocery store counters showing my new design, with the cord shown broken away to indicate indeterminate length;

FIG. 2 is a front elevational view thereof;

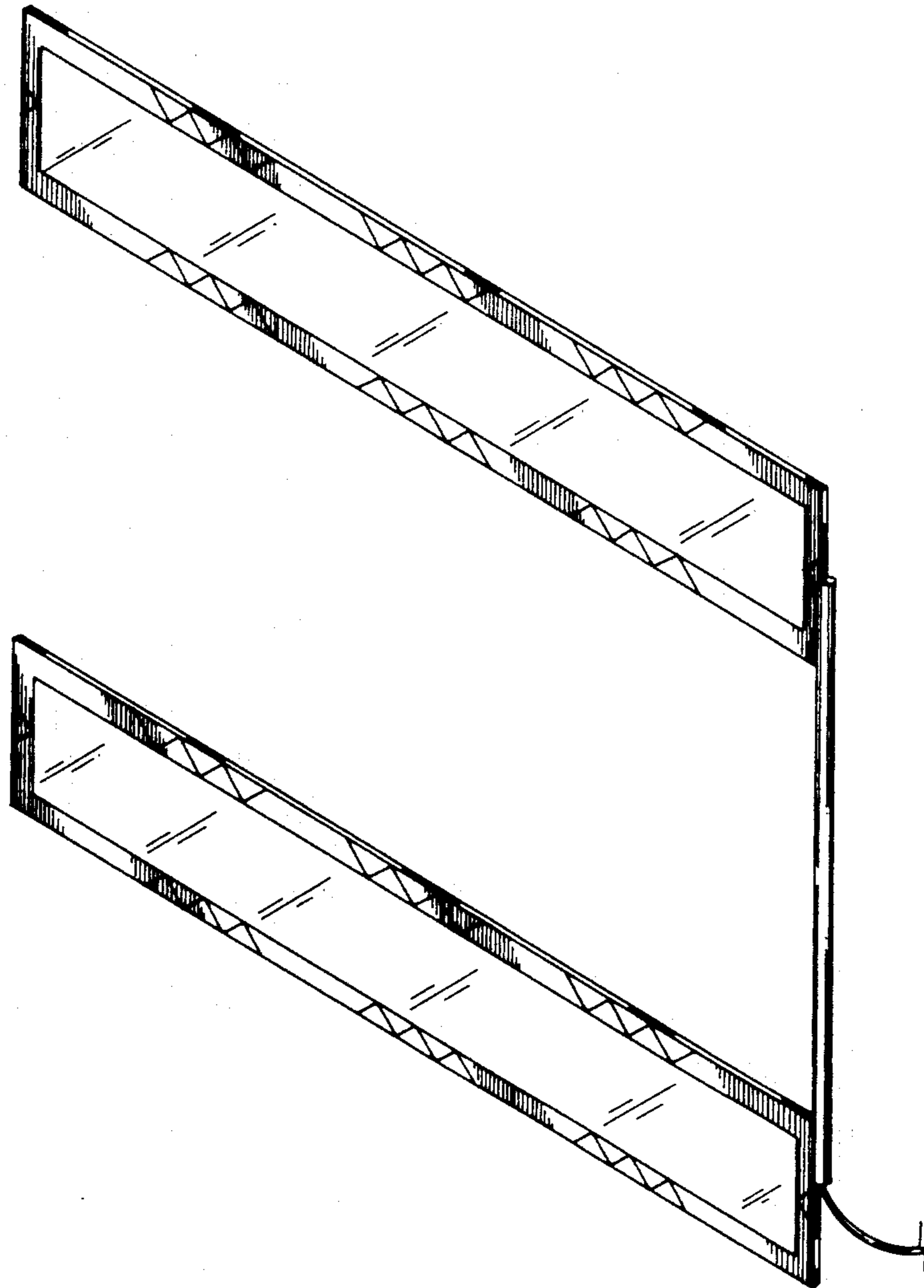
FIG. 3 is a rear elevational view thereof;

FIG. 4 is a side elevational view thereof;

FIG. 5 is a side elevational view thereof;

FIG. 6 is a top plan view thereof; and,

FIG. 7 is a bottom view thereof.



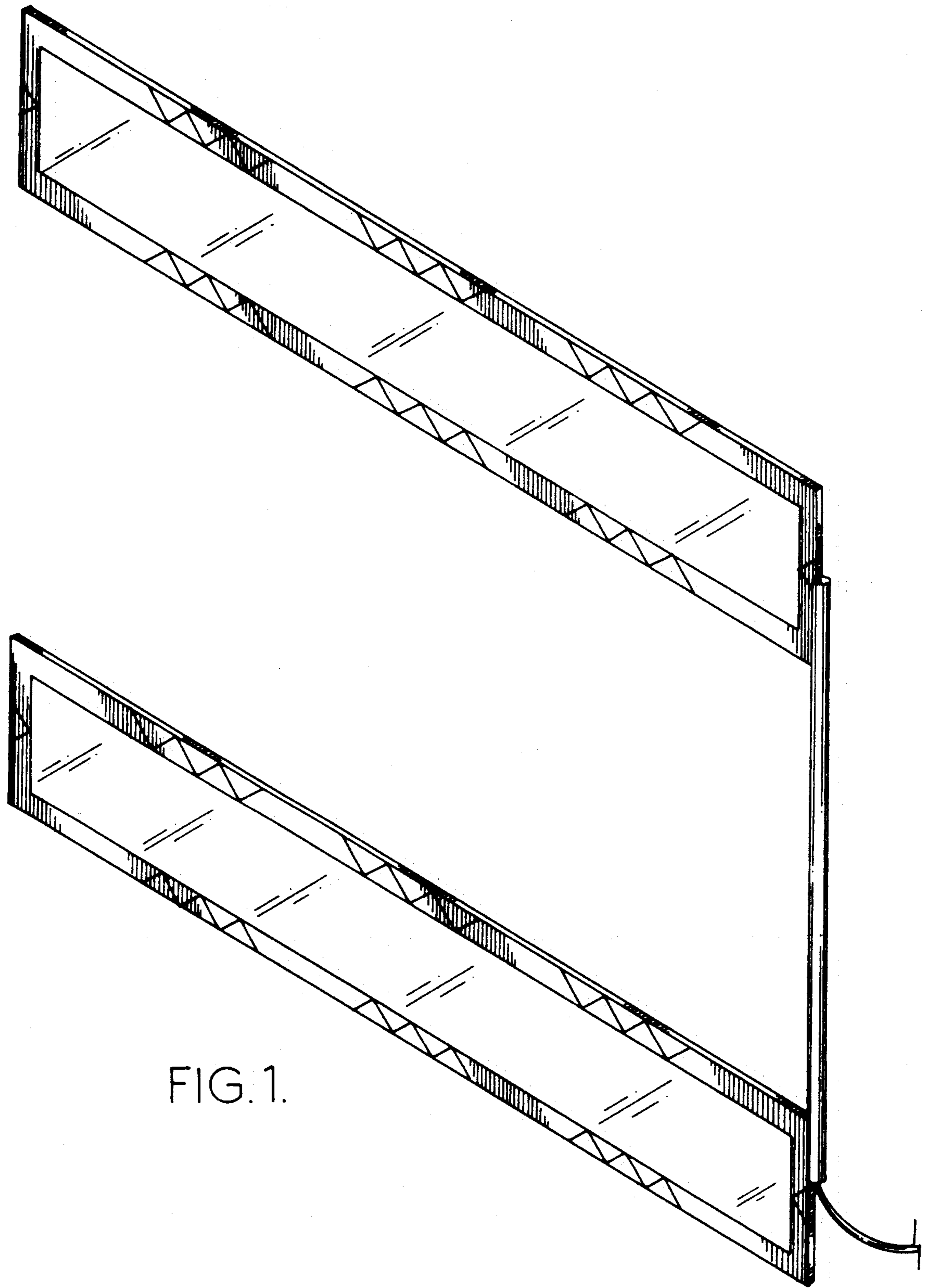


FIG. 1.

FIG. 4.

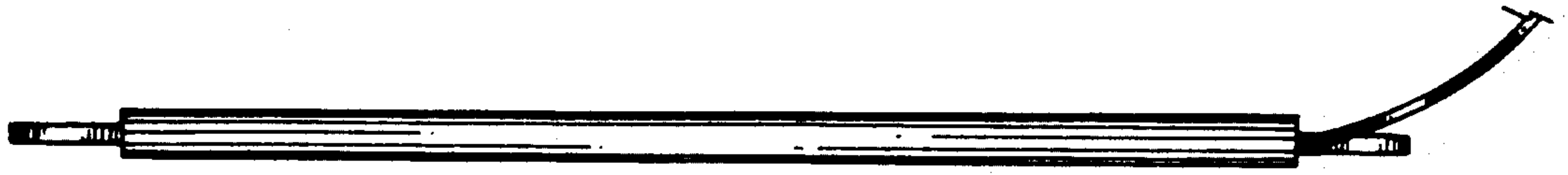


FIG. 2.

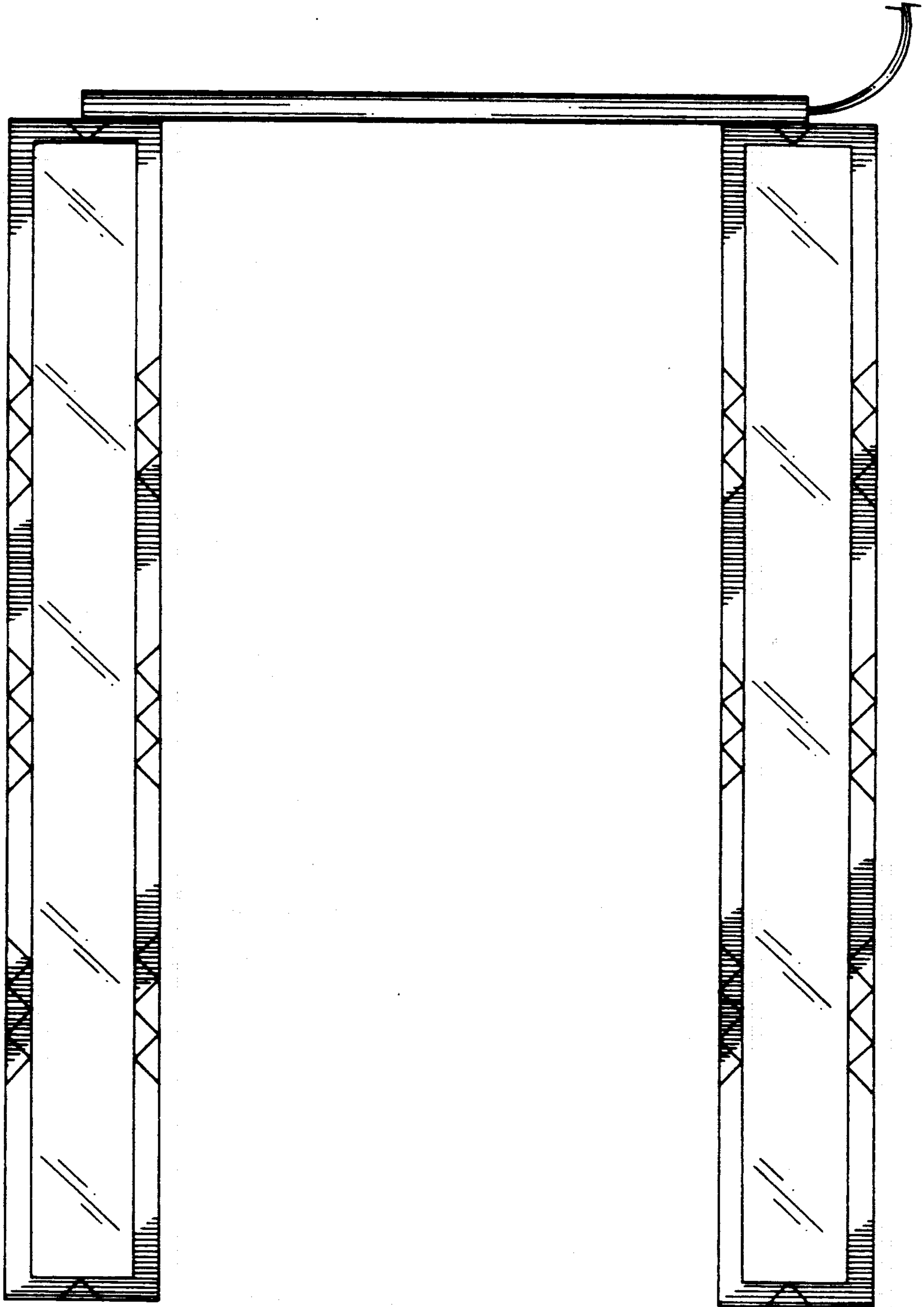


FIG. 5.

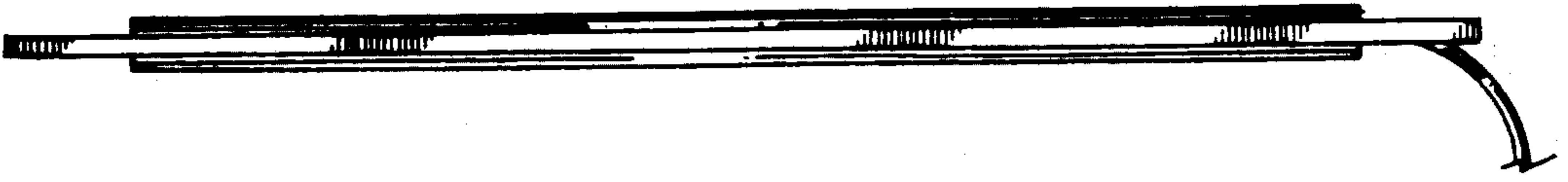


FIG. 3.

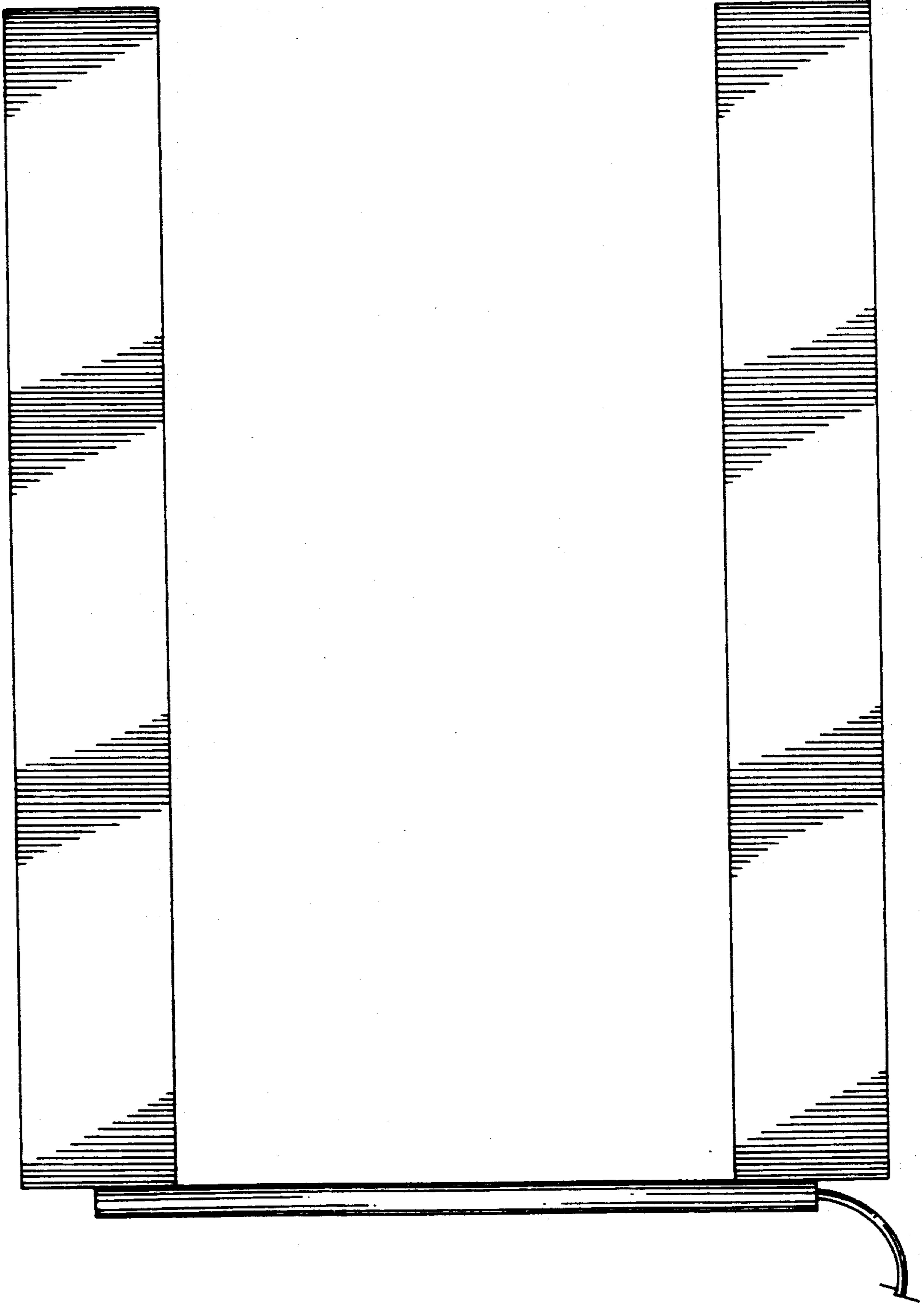


FIG. 6.

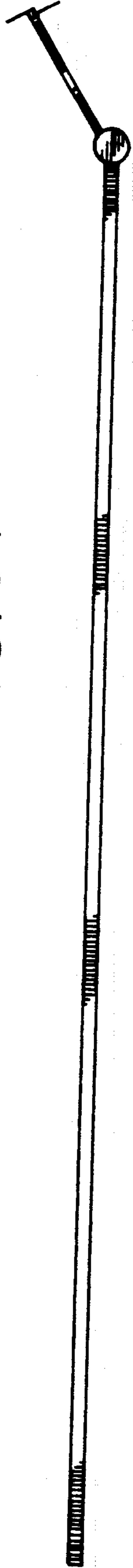


FIG. 7.

