



US00D337990S

United States Patent [19]

[11] Patent Number: Des. 337,990

Wright

[45] Date of Patent: ** Aug. 3, 1993

[54] ANTENNA CONNECTOR

[75] Inventor: John O. Wright, York, Pa.

[73] Assignee: GTE Products Corporation, Danvers, Mass.

[**] Term: 14 Years

[21] Appl. No.: 716,608

[22] Filed: Jun. 17, 1991

[52] U.S. Cl. D13/133

[58] Field of Search D13/133; 439/578, 650, 439/668, 669, 680, 744, 747, 750, 874, 916

[56] References Cited

U.S. PATENT DOCUMENTS

2,732,534	1/1956	Giel	439/650
3,874,761	4/1975	Stauffer	439/680 X
4,666,232	5/1987	Shyu	439/669 X
4,707,050	11/1987	Konnemann	439/747
5,015,195	5/1991	Piriz	439/750 X
5,021,010	6/1991	Wright	439/578

FOREIGN PATENT DOCUMENTS

0274012	7/1988	European Pat. Off.	439/750
1515887	5/1970	Fed. Rep. of Germany	439/744
0677580	8/1952	United Kingdom	439/668

Primary Examiner—Wallace R. Burke
Assistant Examiner—Joel Sincavage
Attorney, Agent, or Firm—William H. McNeill

[57] CLAIM

The ornamental design for an antenna connector, as shown and described.

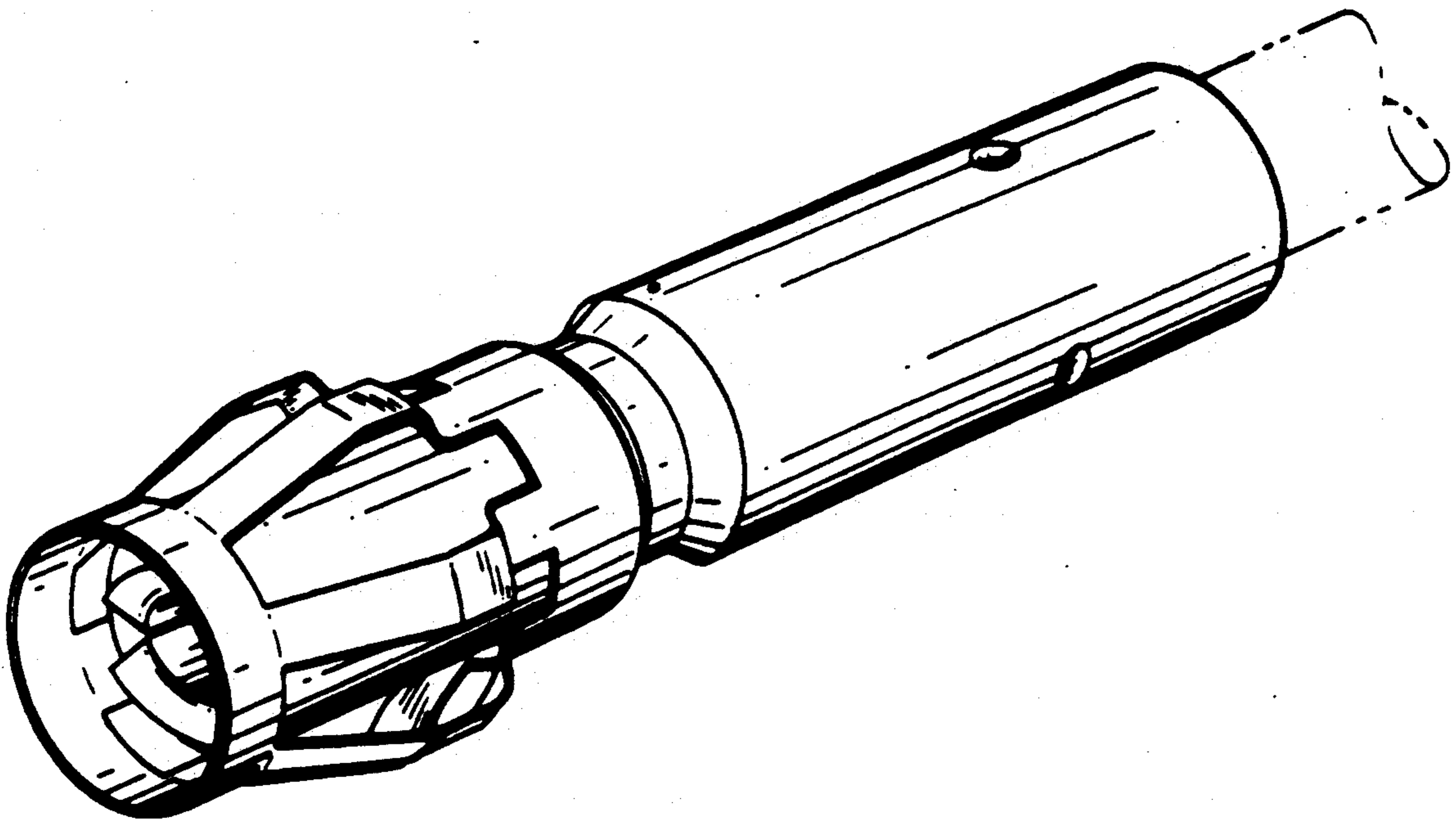
DESCRIPTION

FIG. 1 is a top and right side perspective view of my antenna connector showing my new design. The broken line showing is included for the purpose of illustrating environmental elements only and forms no part of the claimed design;

FIG. 2 is a right side elevational view thereof, the left elevational side being a mirror image;

FIG. 3 is a top plan view thereof; and,

FIG. 4 is a bottom plan view thereof.



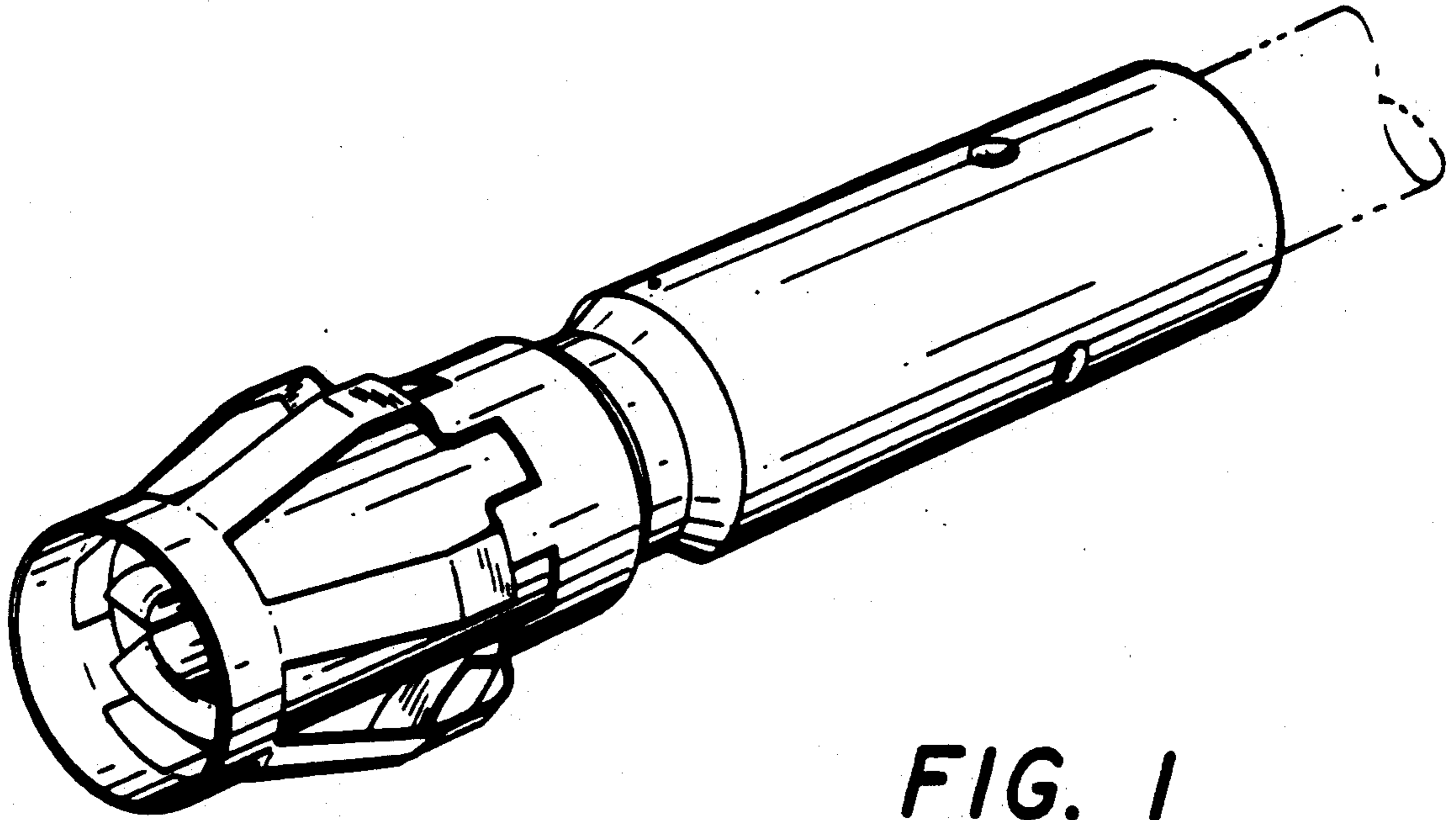


FIG. 1

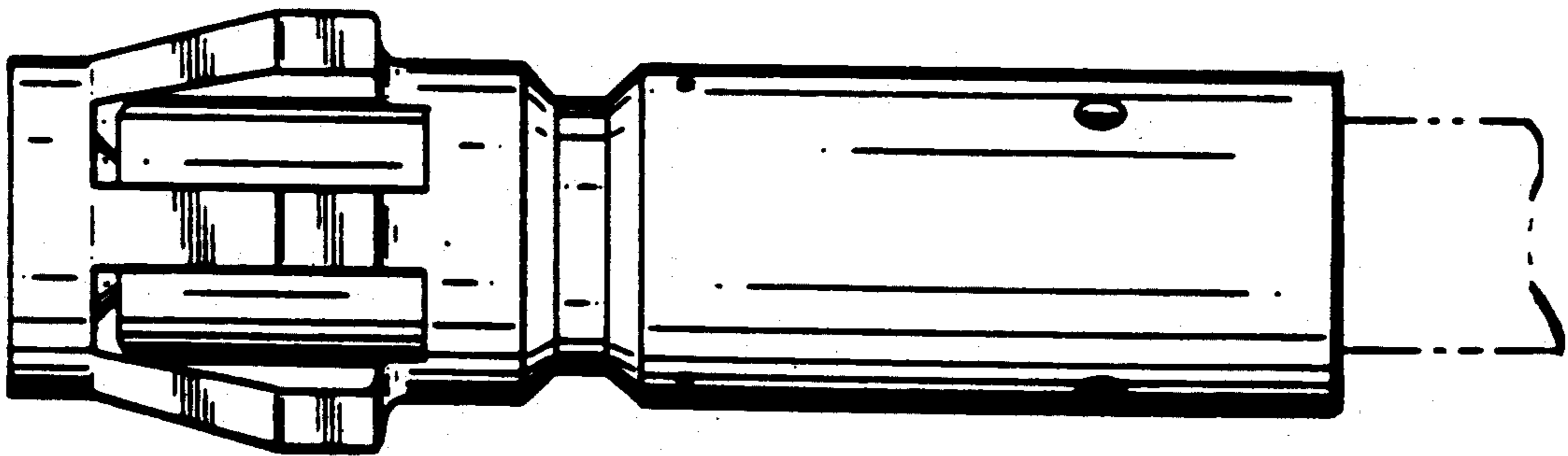


FIG. 2

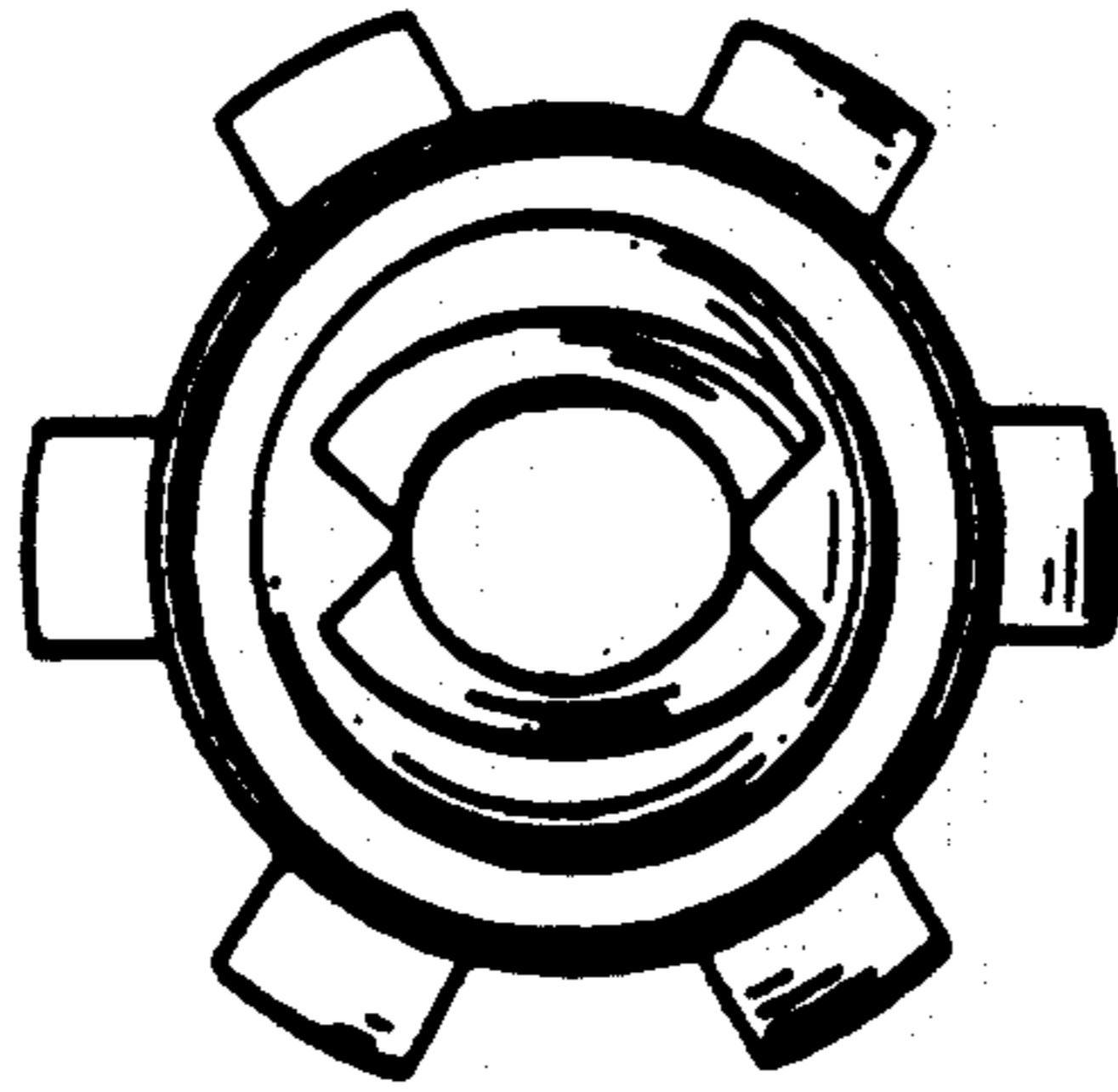


FIG. 3

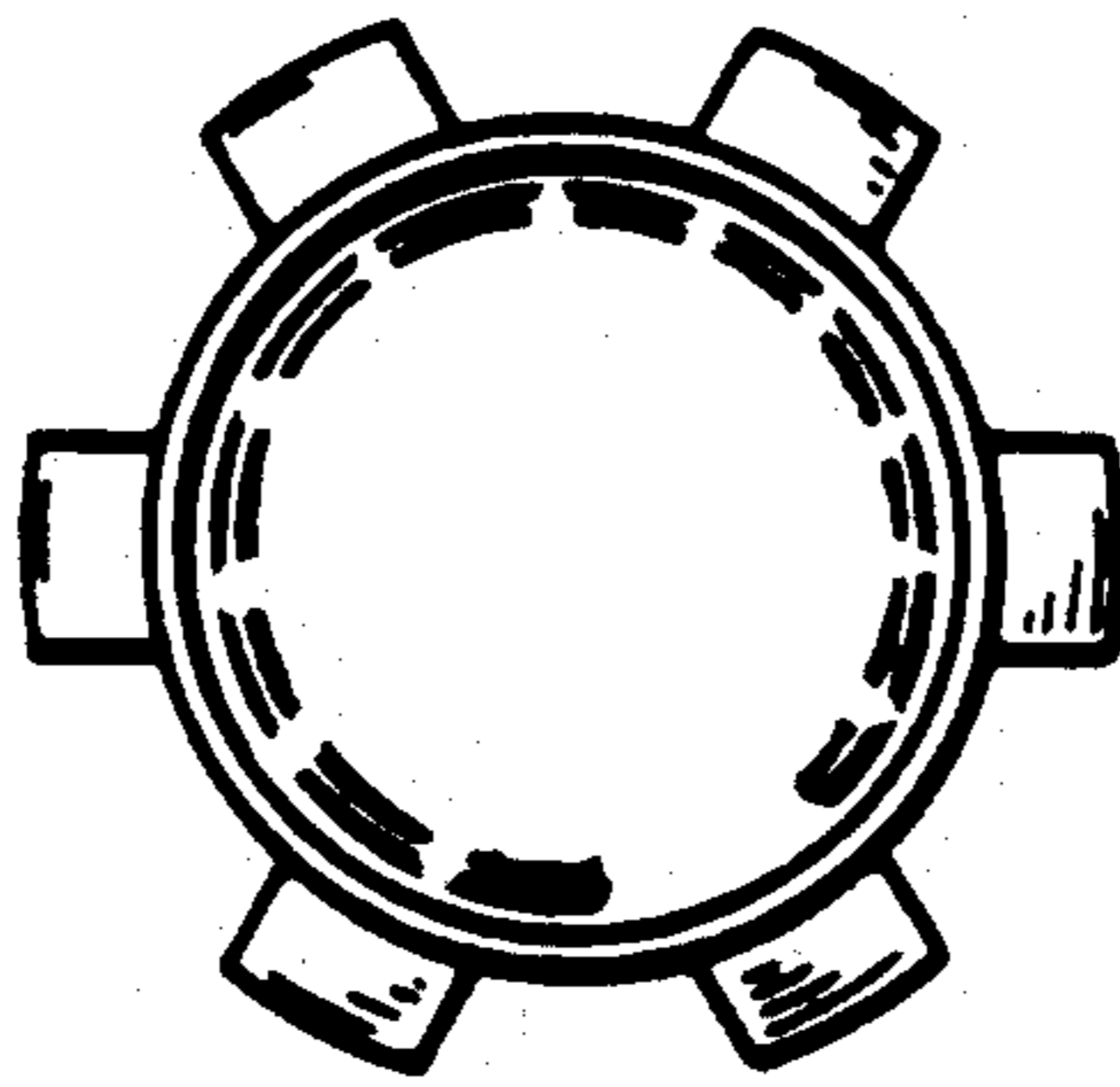


FIG. 4