



US00D337987S

# United States Patent [19]

[11] Patent Number: Des. 337,987

Delamoreaux et al.

[45] Date of Patent: \*\* Aug. 3, 1993

## [54] TERMINAL CAP FOR A BATTERY

[75] Inventors: Murray I. Delamoreaux, Hoffman Estates; Thomas F. Sheridan, Elk Grove Village, both of Ill.

[73] Assignee: Oneac Corporation, Libertyville, Ill.

[\*] Notice: The portion of the term of this patent subsequent to May 25, 2007 has been disclaimed.

[\*\*] Term: 14 Years

[21] Appl. No.: 709,428

[22] Filed: Jun. 3, 1991

[52] U.S. Cl. .... D13/119

[58] Field of Search ..... D13/106, 118, 119, 120, D13/156; 439/467, 519, 522, 901, 902; 174/138 F; 429/65, 121, 175, 178

## [56] References Cited

### U.S. PATENT DOCUMENTS

D. 155,476	10/1949	Blakely	.....	D13/119
D. 183,359	8/1958	Mallory	.....	D13/119
D. 185,747	7/1959	Glyer	.....	D13/119
D. 239,837	5/1976	Hennen	.....	D13/119
D. 303,652	9/1989	Lopez-Doriga	.....	D13/106
3,689,322	9/1972	Lindenberg et al.	.....	429/65
4,444,853	4/1984	Halsall et al.	.....	429/178 X
4,808,495	2/1989	Goldstein	.....	429/175

## FOREIGN PATENT DOCUMENTS

2309505 10/1973 Fed. Rep. of Germany ..... 429/175

## OTHER PUBLICATIONS

Battery covers on p. 138 of 1980 Goldberg's Marine Catalog.

Primary Examiner—Wallace R. Burke  
Assistant Examiner—Joel Sincavage  
Attorney, Agent, or Firm—Mason, Kolehmainen, Rathburn & Wyss

## [57] CLAIM

The ornamental design for a terminal cap for a battery, as shown.

## DESCRIPTION

FIG. 1 is a perspective view of a terminal cap for a battery showing our new design;  
FIG. 2 is a top plan view of the terminal cap for a battery;  
FIG. 3 is a bottom view of the terminal cap for a battery;  
FIG. 4 is a front elevational view of the terminal cap for a battery;  
FIG. 5 is a rear elevational view of the terminal cap for a battery;  
FIG. 6 is a right hand side elevational view of the terminal cap for a battery; and,  
FIG. 7 is a left hand side elevational view of the terminal cap for a battery.

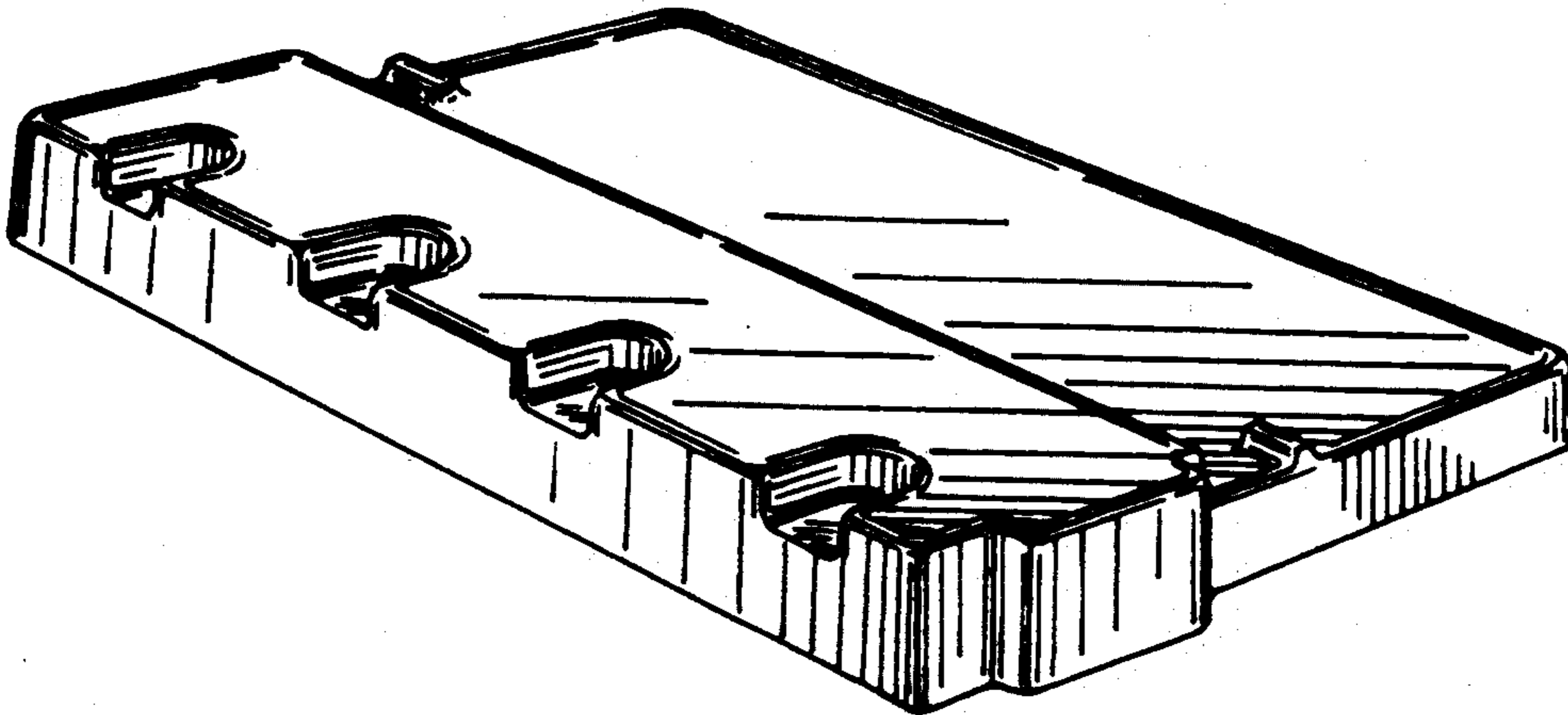


FIG. 1

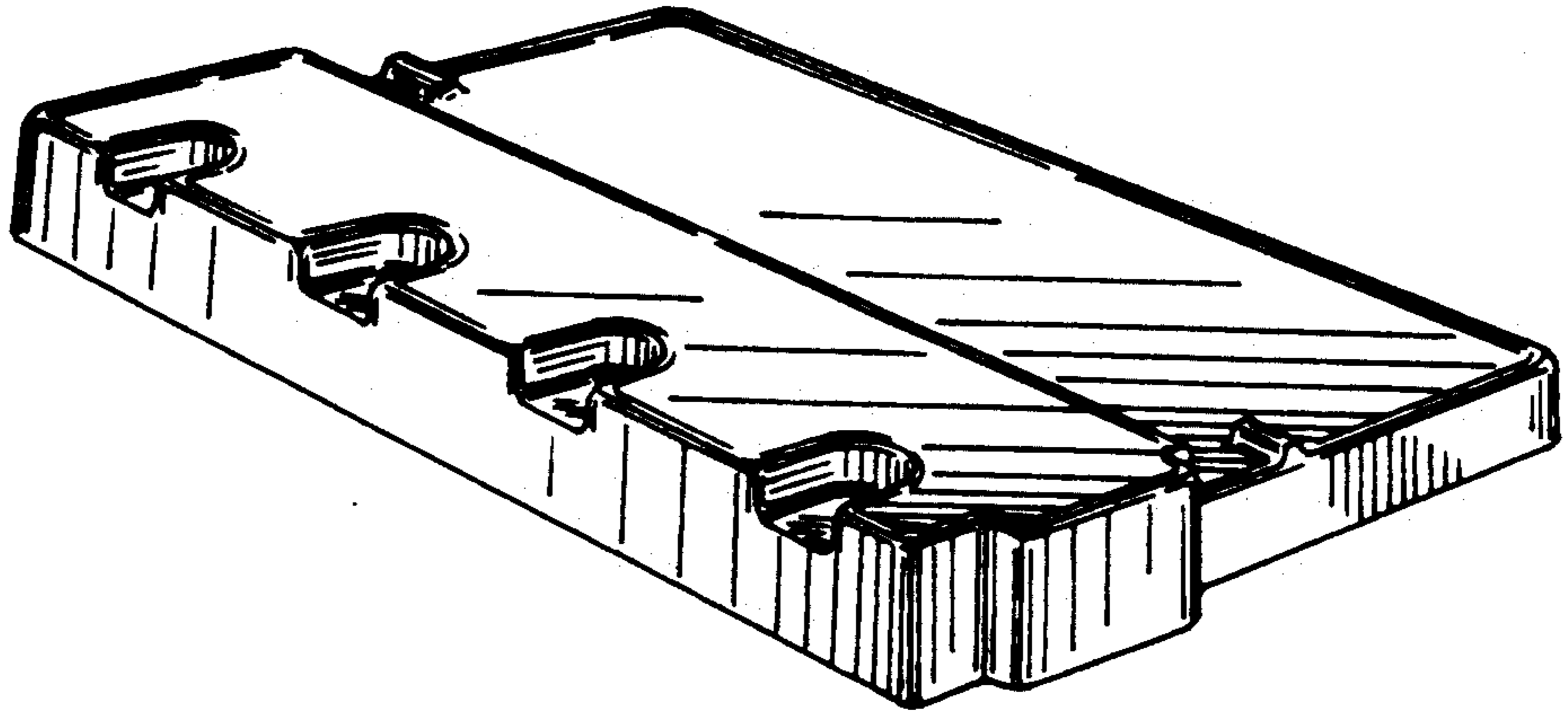


FIG. 2

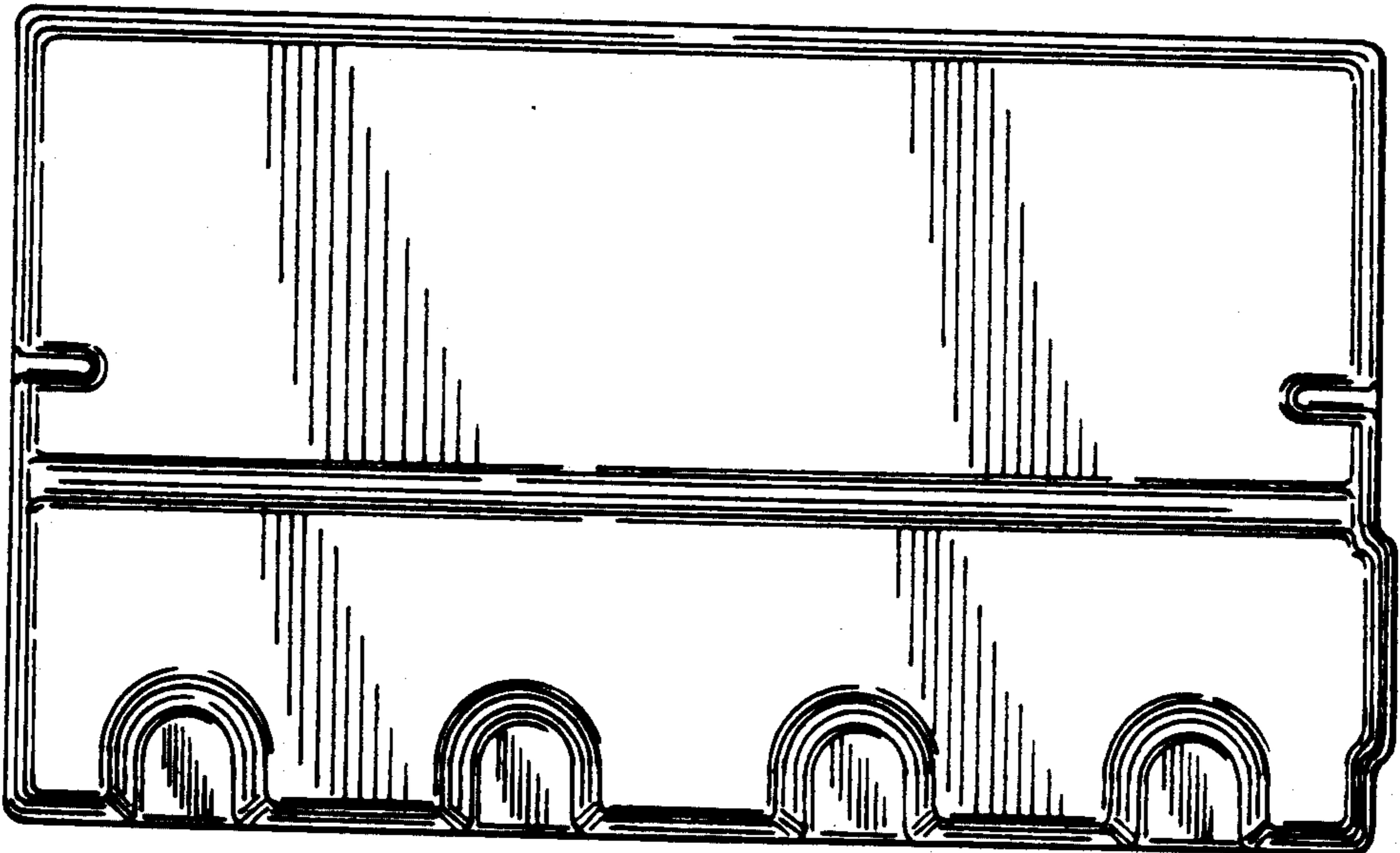


FIG. 3

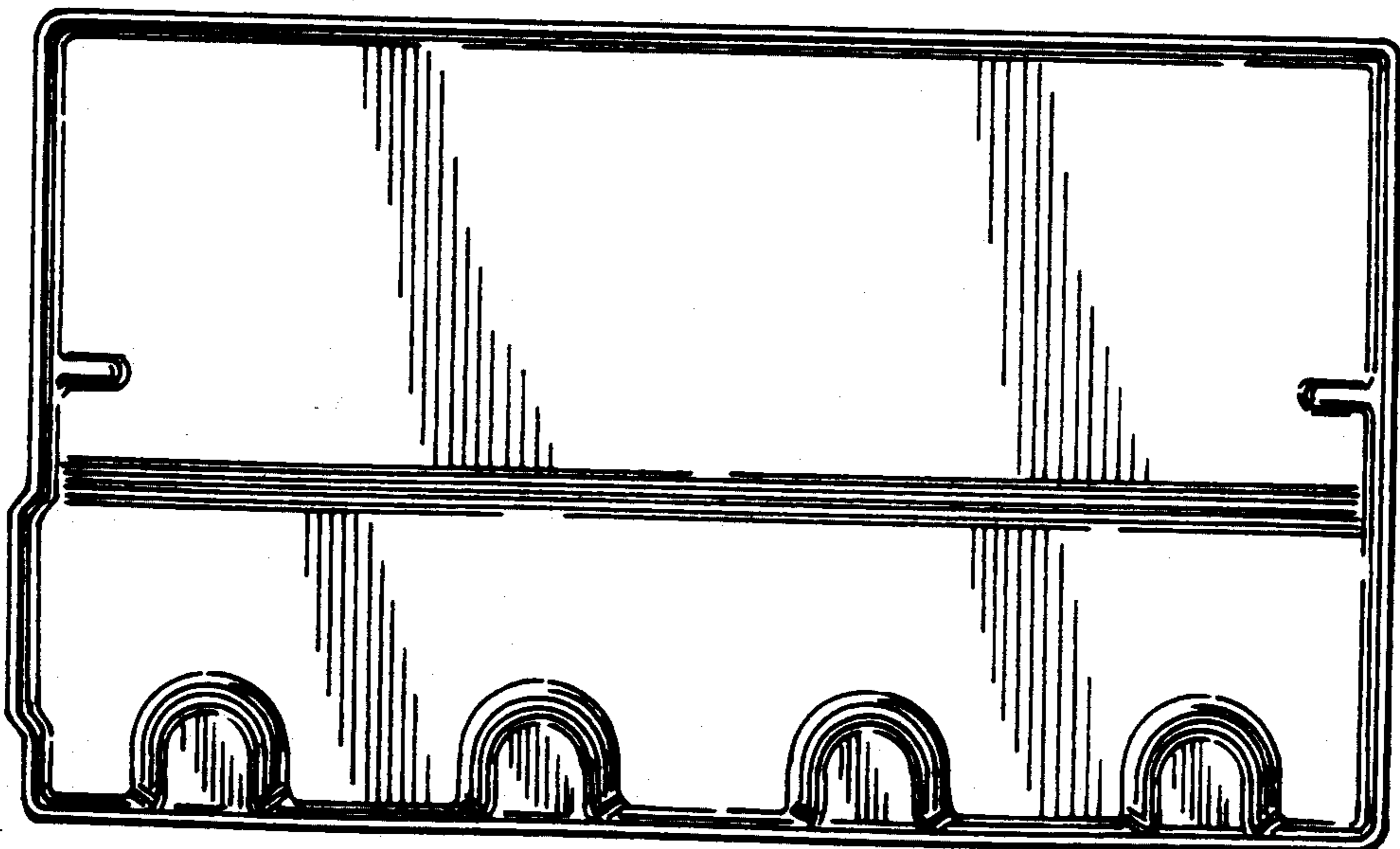


FIG. 4.

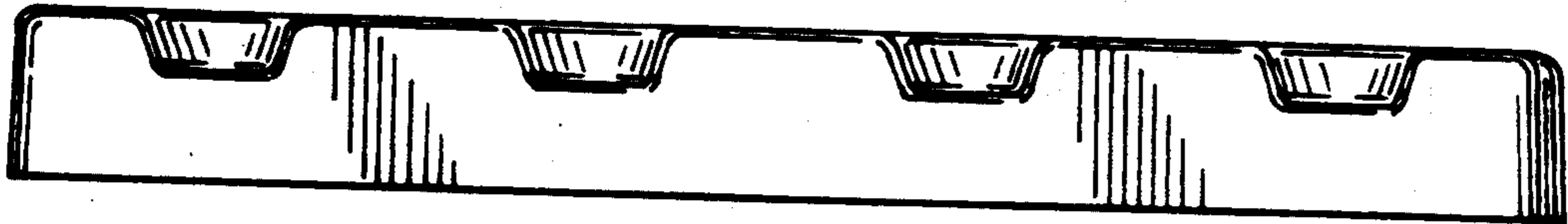


FIG. 5.

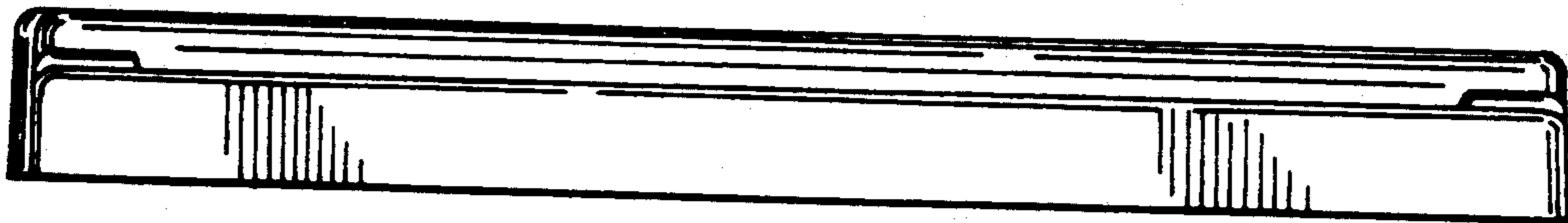


FIG. 6.

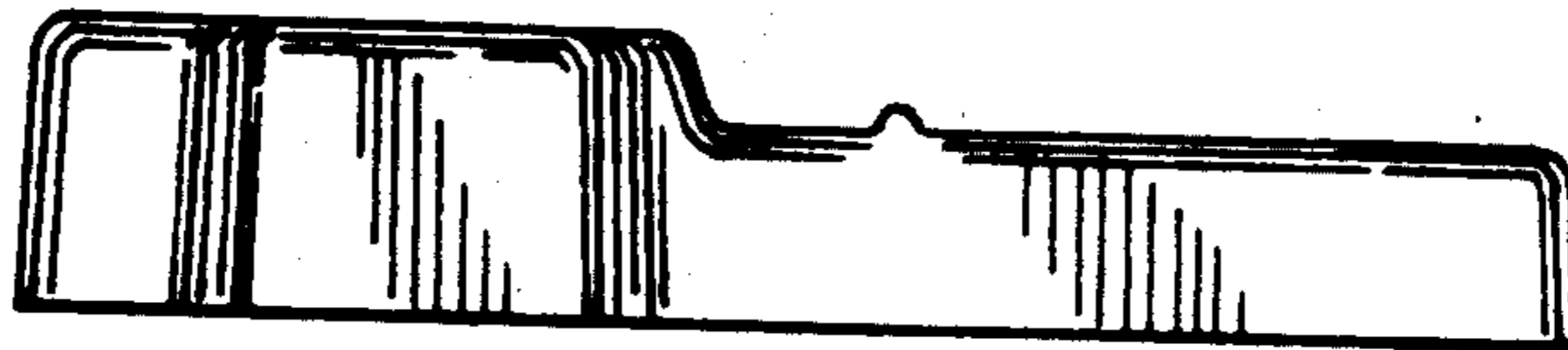


FIG. 7.

