



US00D337986S

# United States Patent [19]

Brunner et al.

[11] Patent Number: **Des. 337,986**

[45] Date of Patent: **\*\* Aug. 3, 1993**

[54] **CHARGER FOR LAPTOP COMPUTER BATTERY PACKS**

3,414,793 12/1968 Jasperson ..... 320/5  
3,579,075 5/1971 Floyd ..... 320/2

[75] Inventors: **Robert D. Brunner, San Jose; Susanne M. Pierce, Menlo Park, both of Calif.**

*Primary Examiner*—Wallace R. Burke  
*Assistant Examiner*—J. Sincavage  
*Attorney, Agent, or Firm*—Franklyn C. Weiss

[73] Assignee: **Apple Computer, Inc., Cupertino, Calif.**

[57] **CLAIM**

[\*\*] Term: **14 Years**

The ornamental design for a charger for laptop computer battery packs, as shown and described.

[21] Appl. No.: **774,114**

**DESCRIPTION**

[22] Filed: **Oct. 8, 1991**

[52] U.S. Cl. .... **D13/108**

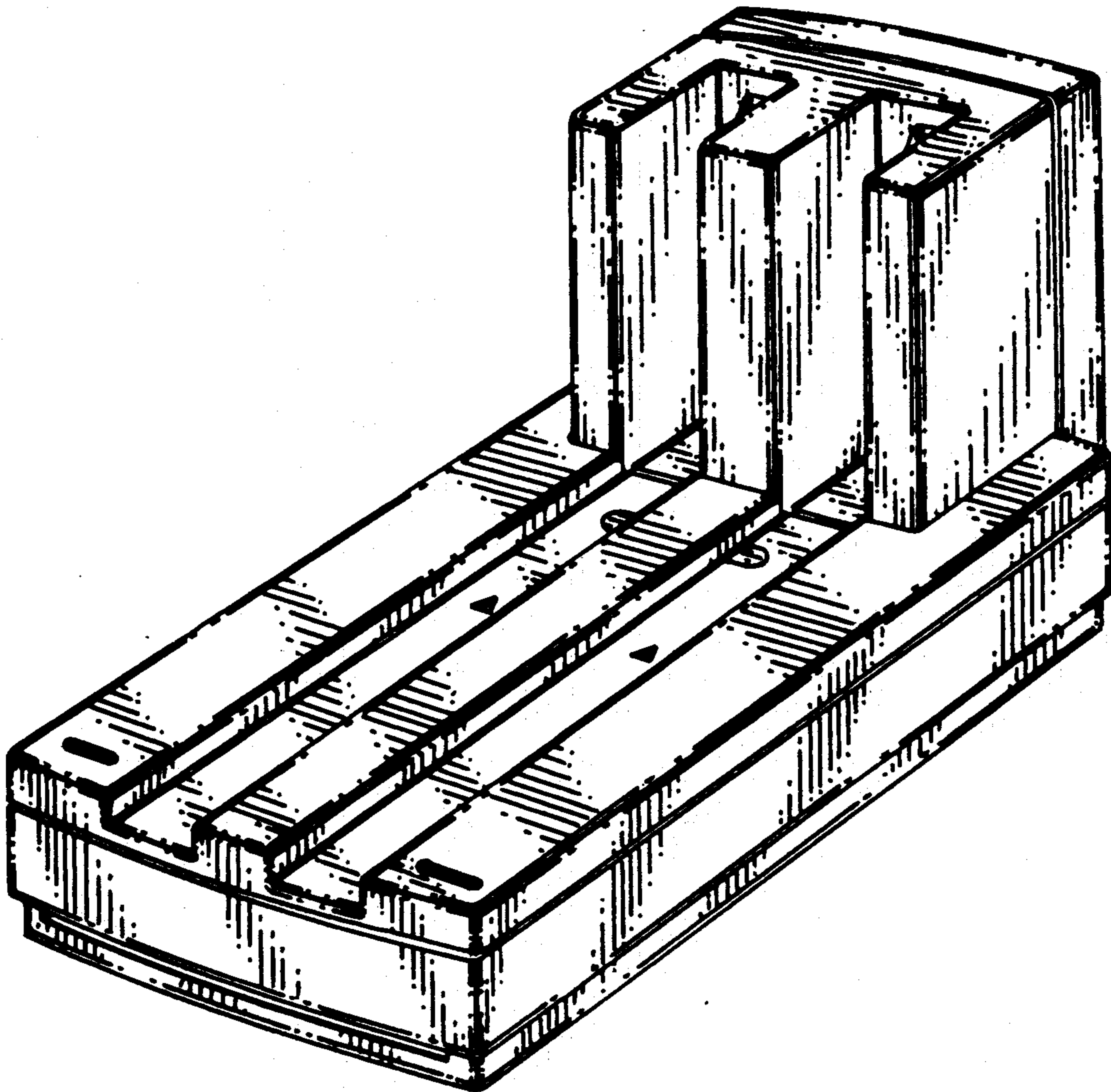
[58] Field of Search ..... **D13/107, 108; D14/240; 320/2, 3, 4, 5**

FIG. 1 is a front and upper right perspective view of a charger for laptop computer battery packs showing our new design;  
FIG. 2 is a rear and upper left perspective view thereof;  
FIG. 3 is a top plan view thereof;  
FIG. 4 is a bottom plan view thereof;  
FIG. 5 is a right side elevational view thereof;  
FIG. 6 is a left side elevational view thereof;  
FIG. 7 is a front elevational view thereof; and,  
FIG. 8 is a rear elevational view thereof.

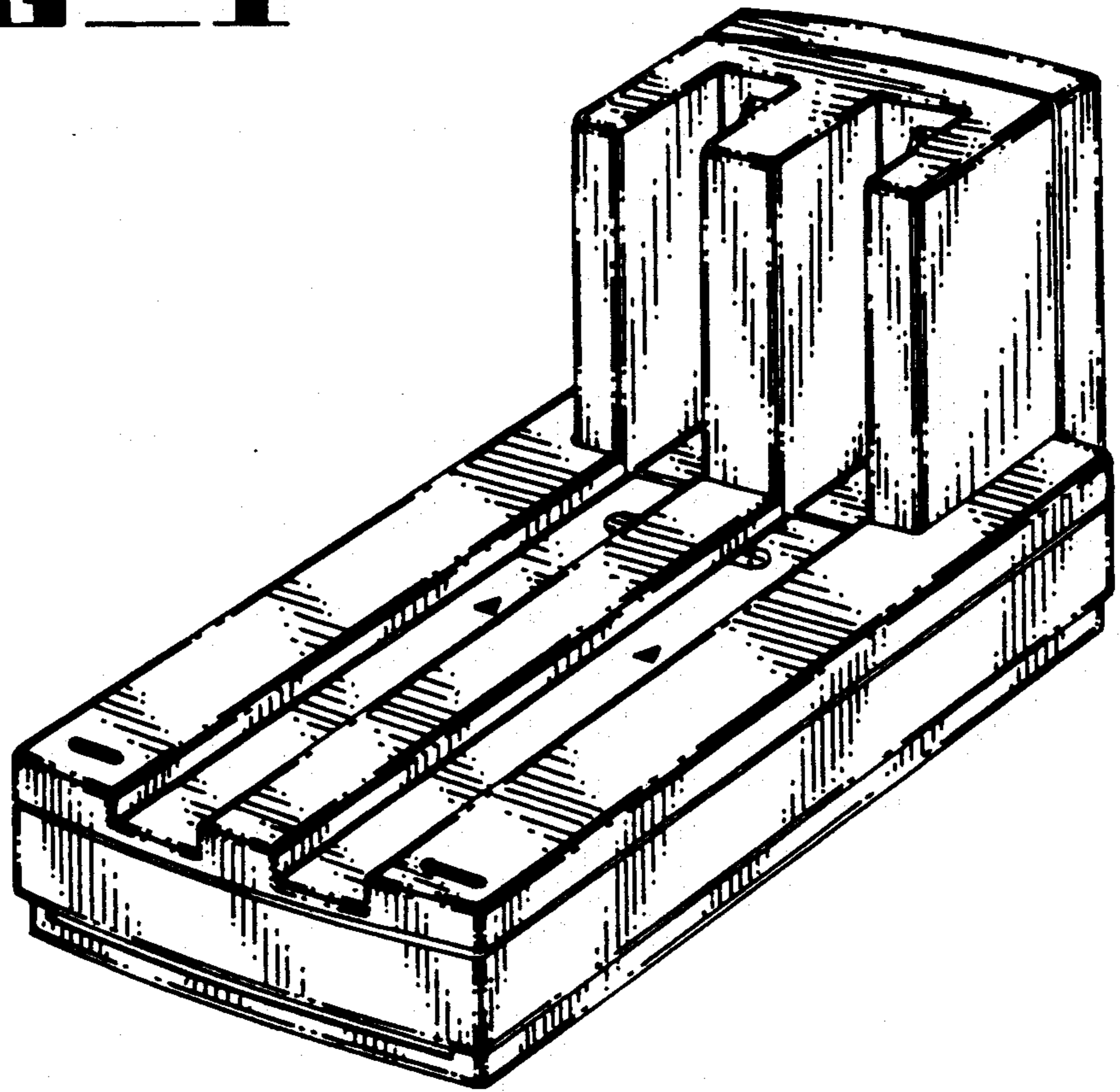
[56] **References Cited**

**U.S. PATENT DOCUMENTS**

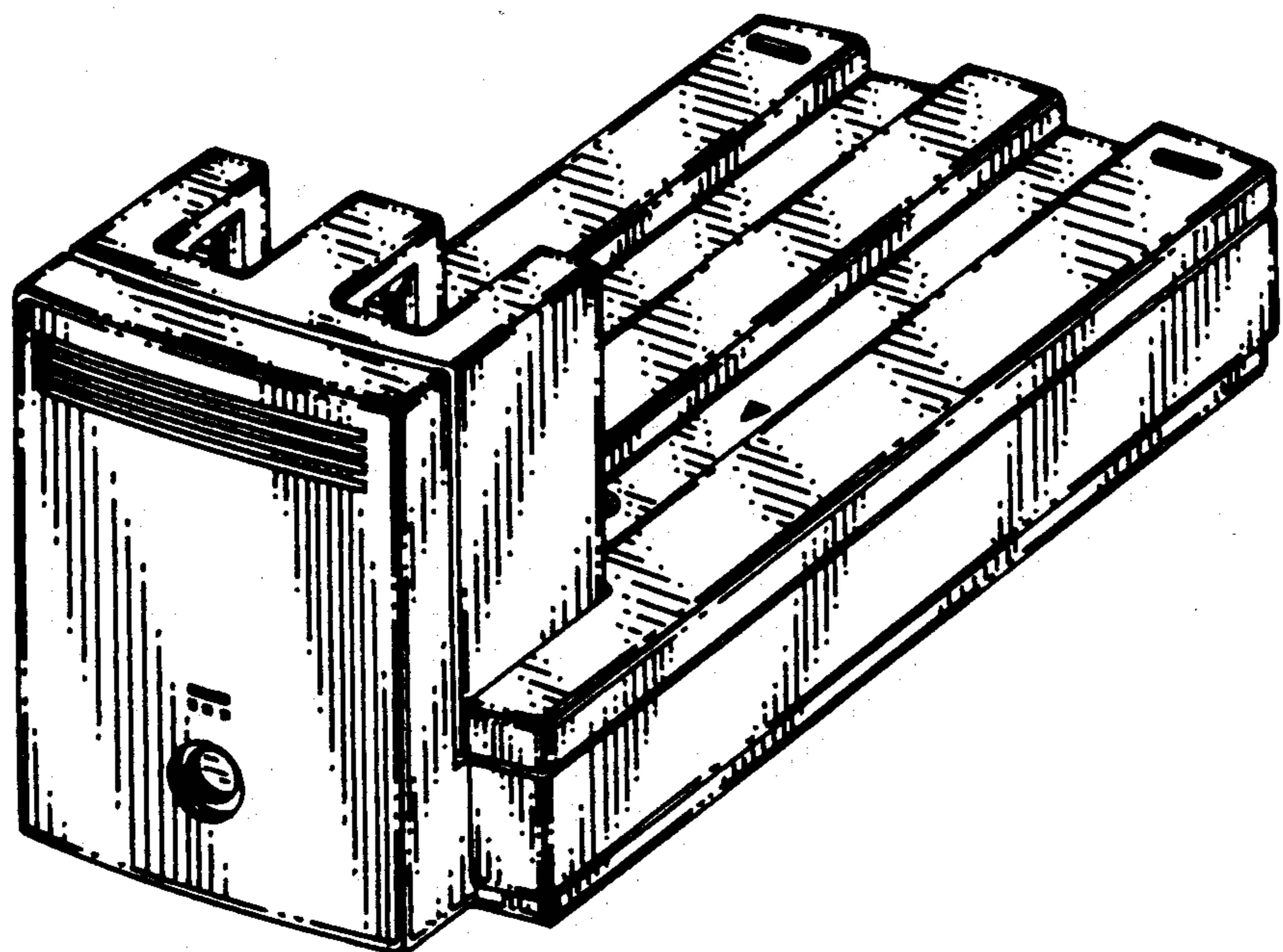
D. 215,303 9/1969 Carpenter ..... D13/108  
D. 315,161 3/1991 Watanabe ..... D14/138 X



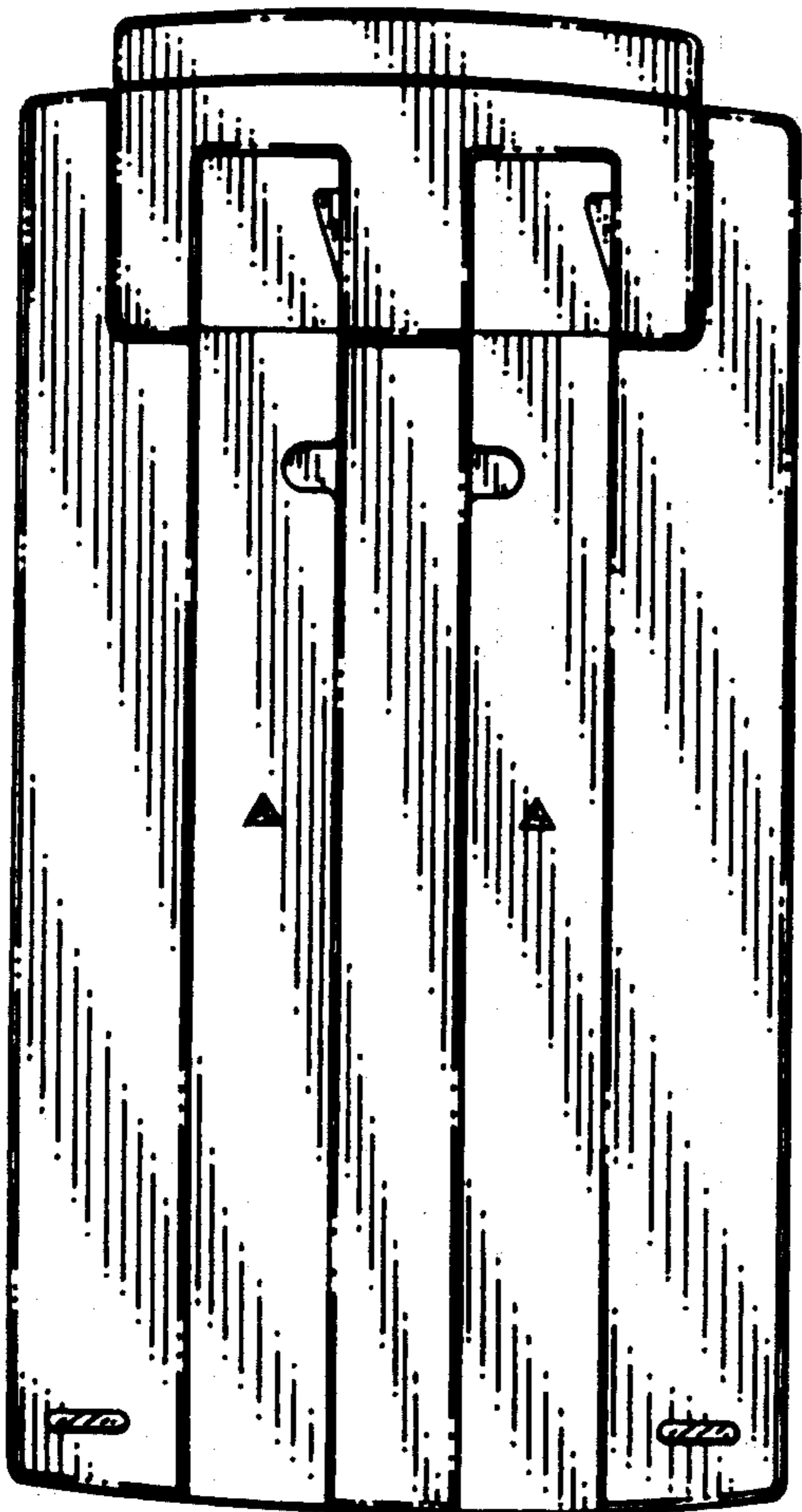
**FIG 1**



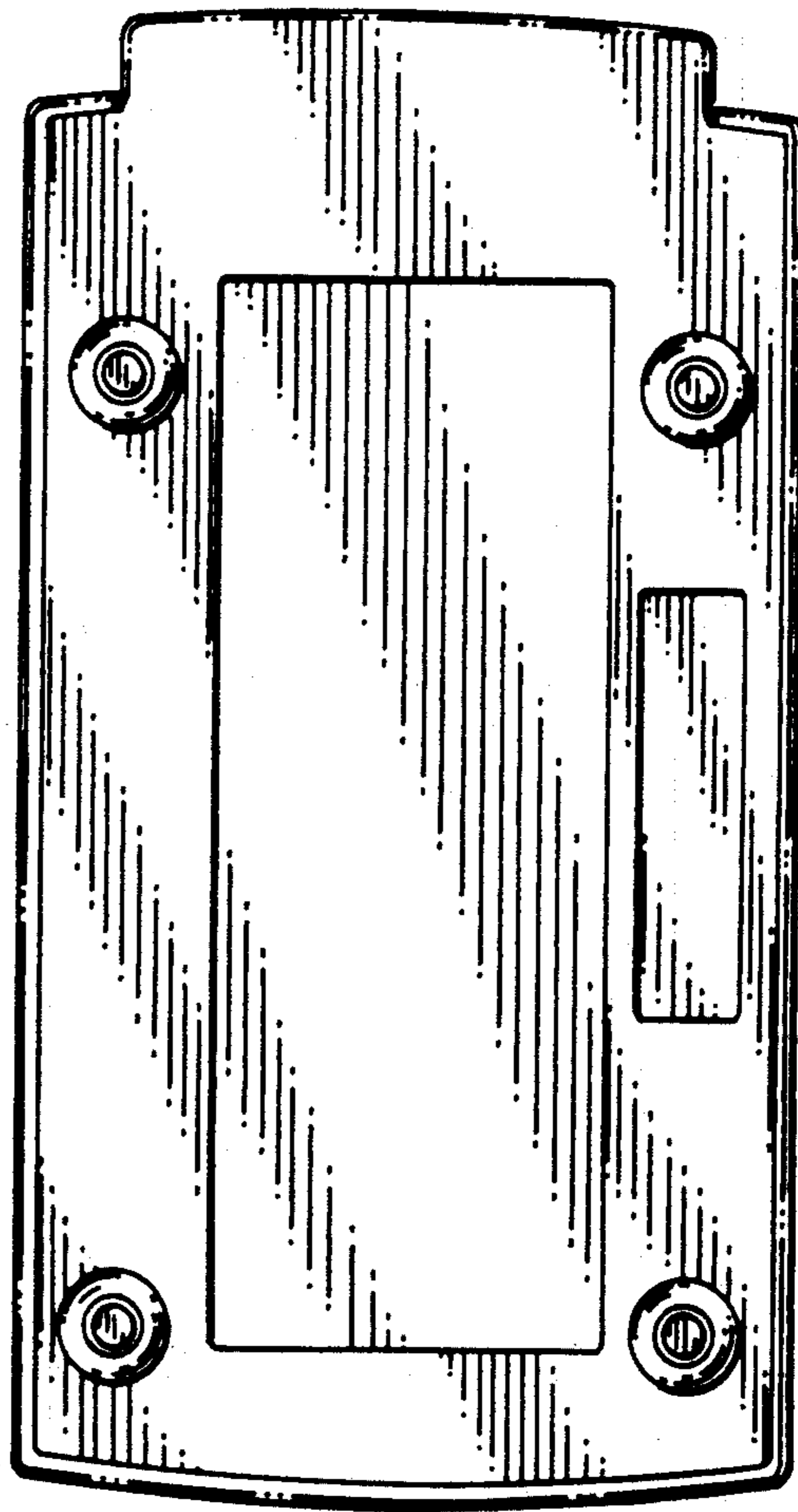
**FIG 2**



**FIG 3**

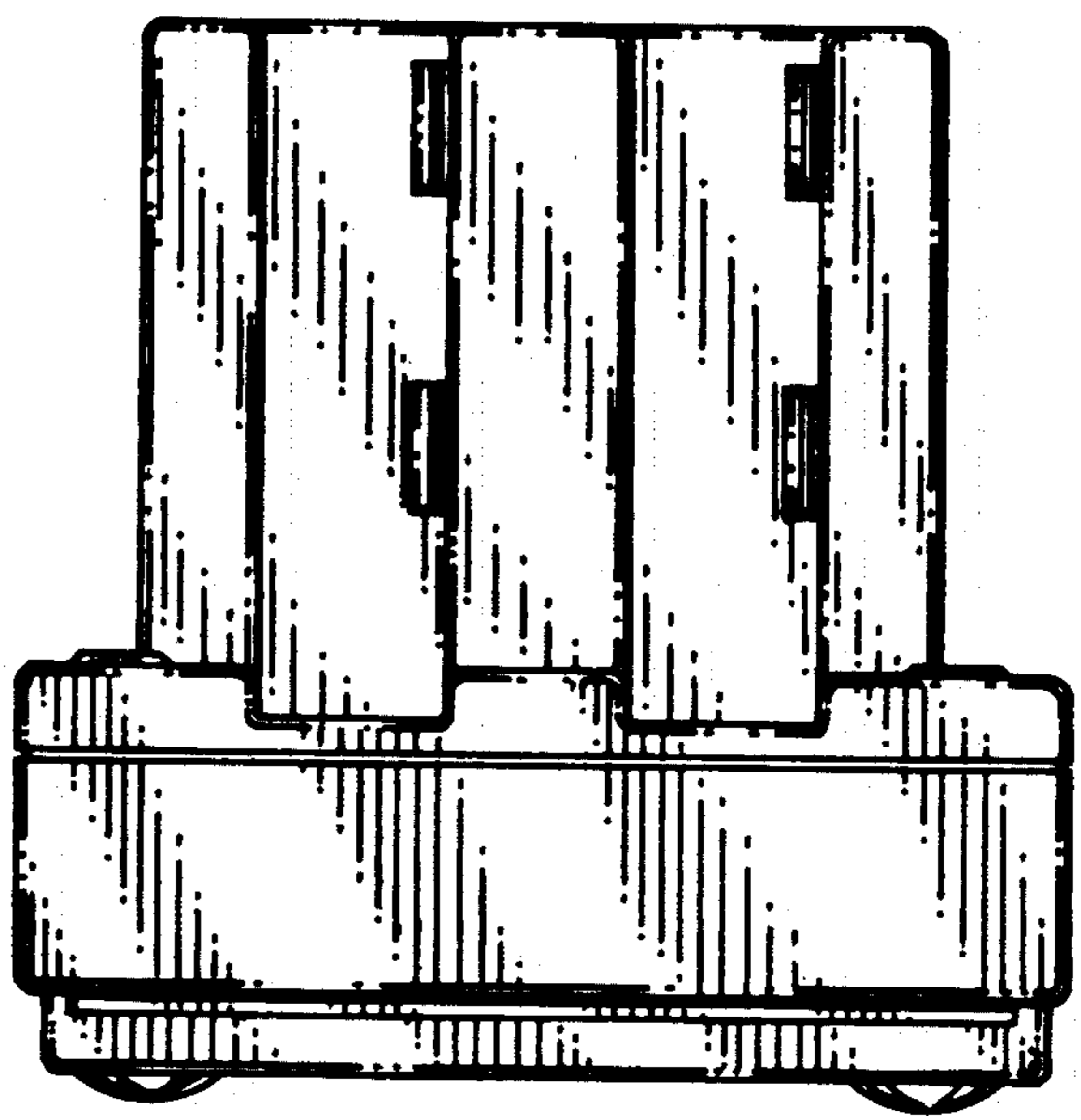


**FIG 4**

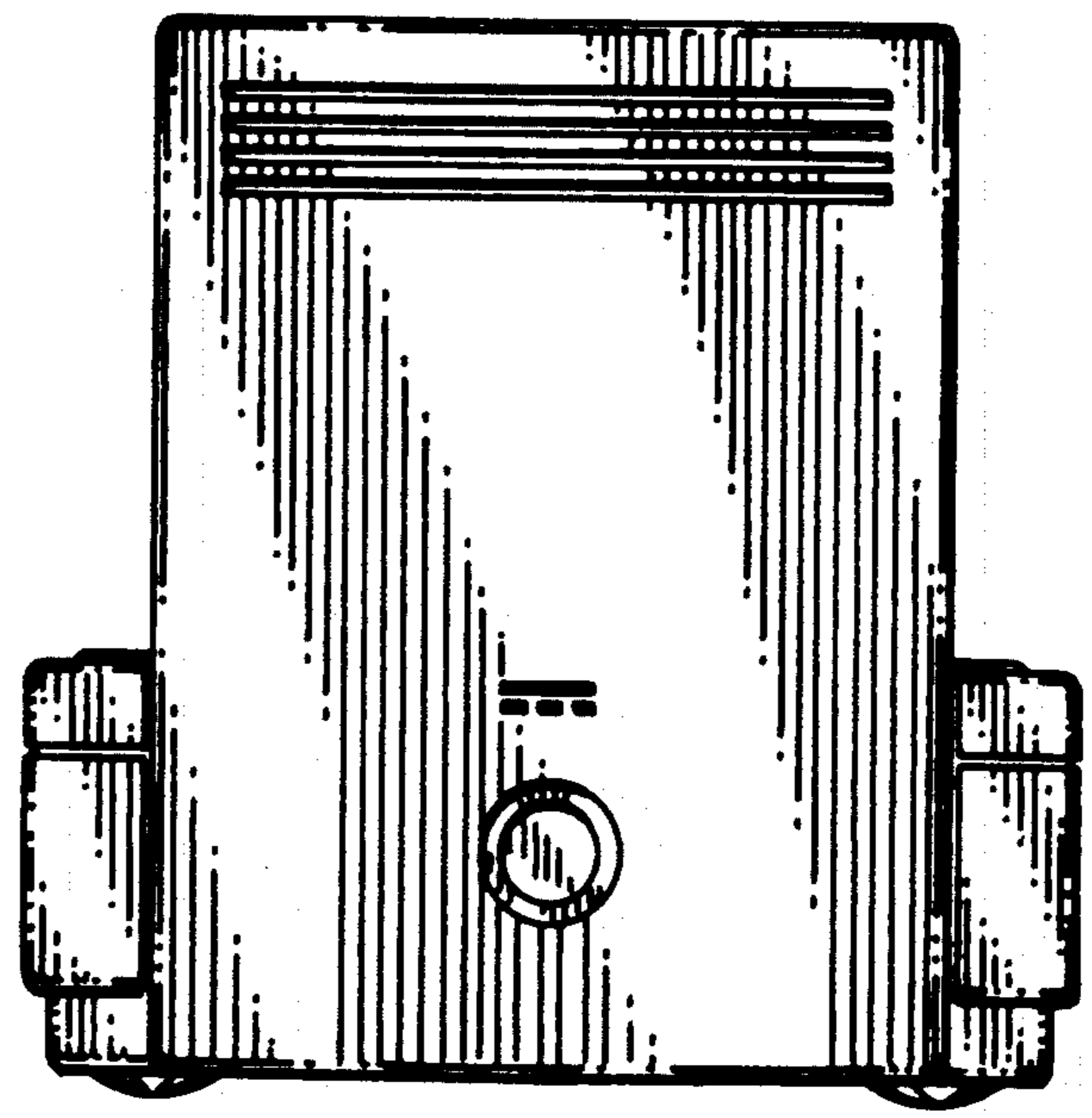




**FIG 5**



**FIG 6**



**FIG 7**



**FIG 8**

