



US00D337982S

United States Patent [19]

Steinke et al.

[11] Patent Number: **Des. 337,982**

[45] Date of Patent: **** Aug. 3, 1993**

[54] **DISC BRAKE SHIM**

[75] Inventors: **Gustav J. Steinke, Lima; Karl L. Placke, Delphos, both of Ohio**

[73] Assignee: **International Brake Industries, Inc., Lima, Ohio**

[**] Term: **14 Years**

[21] Appl. No.: **800,392**

[22] Filed: **Nov. 27, 1991**

[52] U.S. Cl. **D12/180**

[58] Field of Search **D12/180; 188/73.1, 250 B**

[56] **References Cited**

U.S. PATENT DOCUMENTS

- 4,230,207 10/1980 Stahl 188/73.1
- 4,836,339 6/1989 Kobayashi et al. 188/73.1
- 4,846,312 7/1989 Sweetmore et al. 188/73.1

- 4,926,978 5/1990 Shibata et al. 188/73.1
- 5,129,487 7/1992 Kobayashi et al. 188/73.1

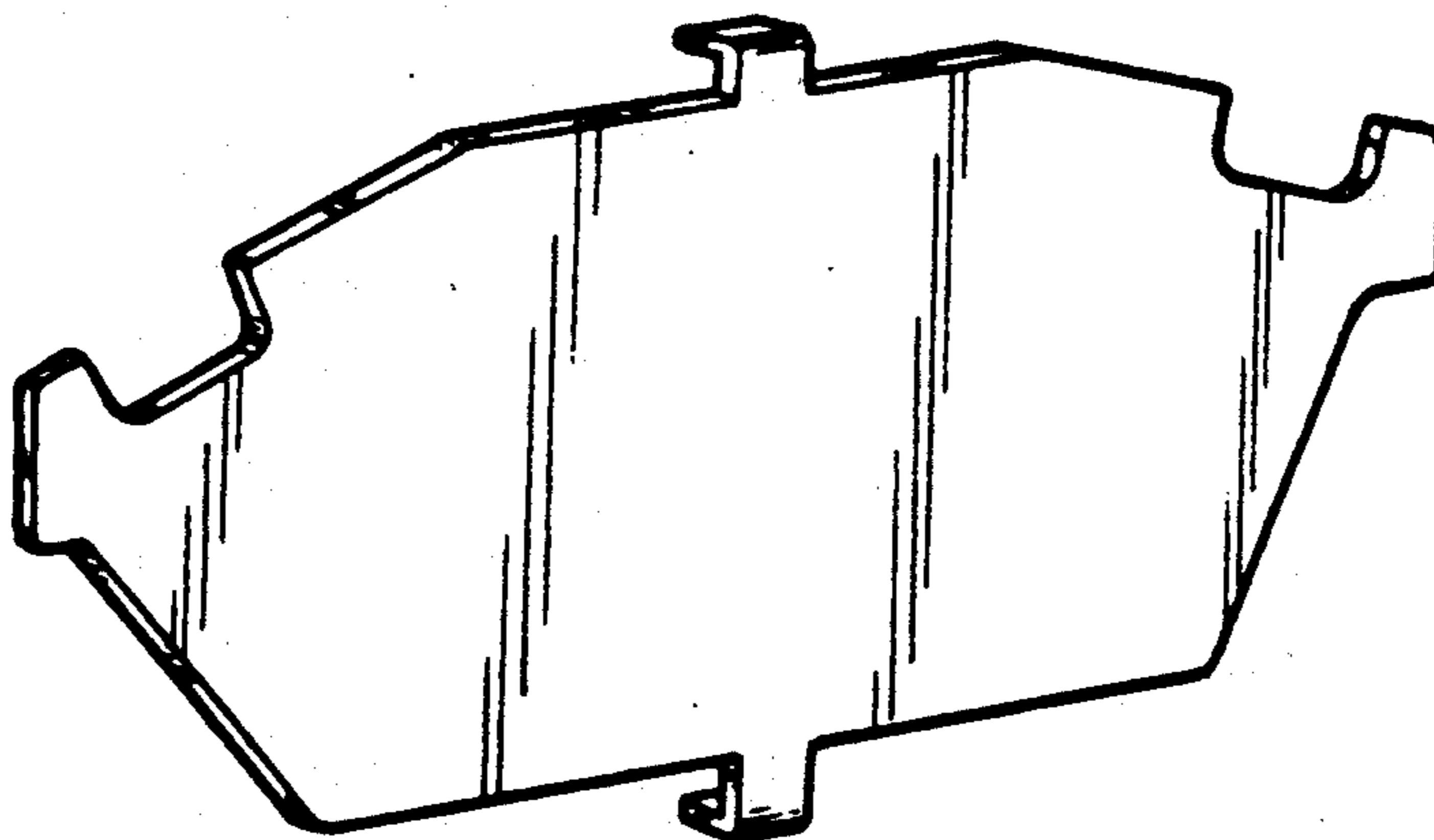
Primary Examiner—Wallace R. Burke
Assistant Examiner—Melody Brown
Attorney, Agent, or Firm—Edgar A. Zarins; Malcolm L. Sutherland

[57] **CLAIM**

The ornamental design for a disc brake shim, as shown.

DESCRIPTION

FIG. 1 is an elevated perspective of a disc brake shim showing our new design;
 FIG. 2 is a left side elevational view thereof;
 FIG. 3 is a front elevational view thereof;
 FIG. 4 is a top plan view thereof;
 FIG. 5 is a right side elevational view thereof;
 FIG. 6 is a rear elevational view thereof; and,
 FIG. 7 is a bottom plan view thereof.



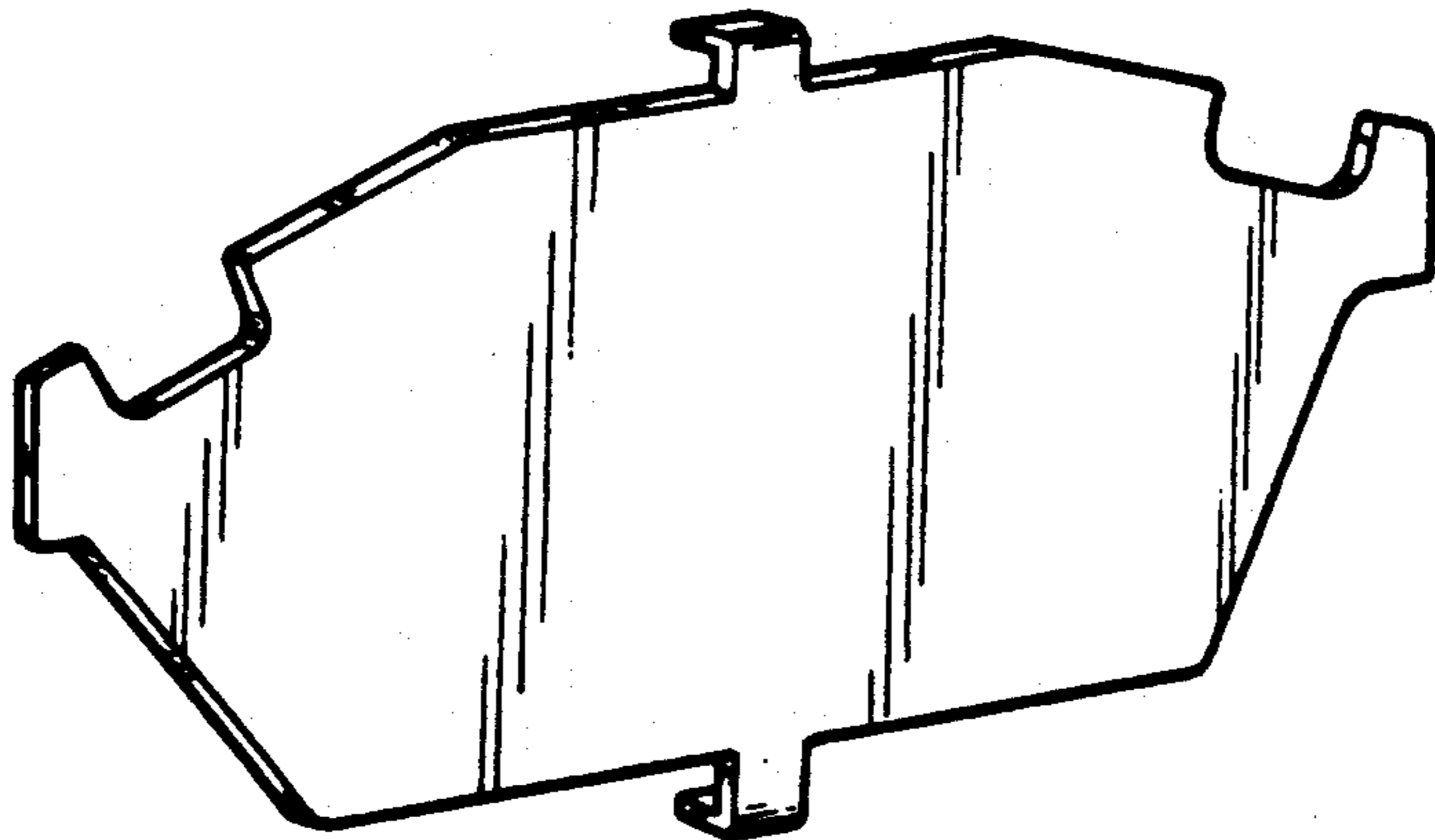


Fig-1

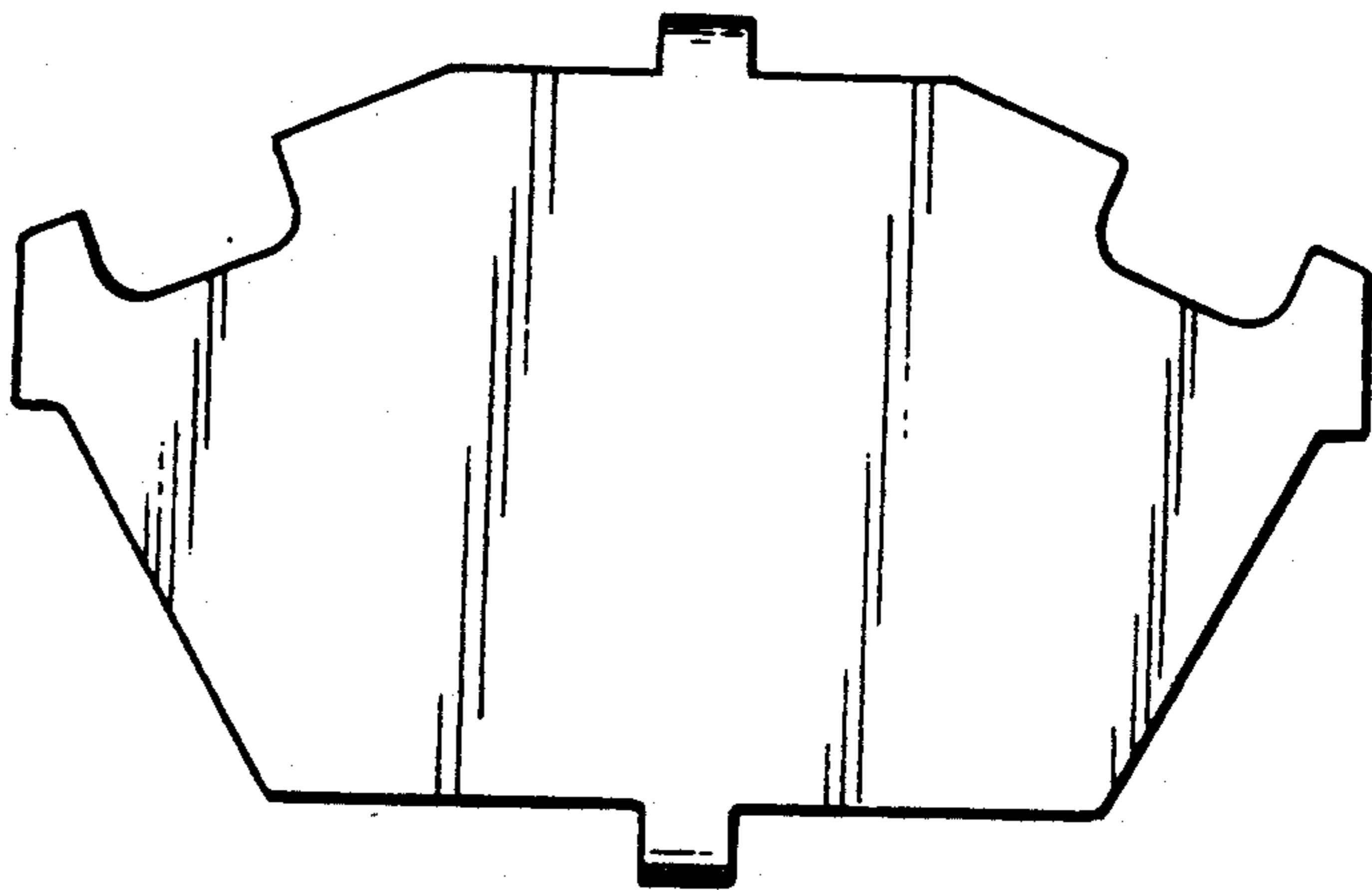


Fig-2



Fig-3



Fig-4

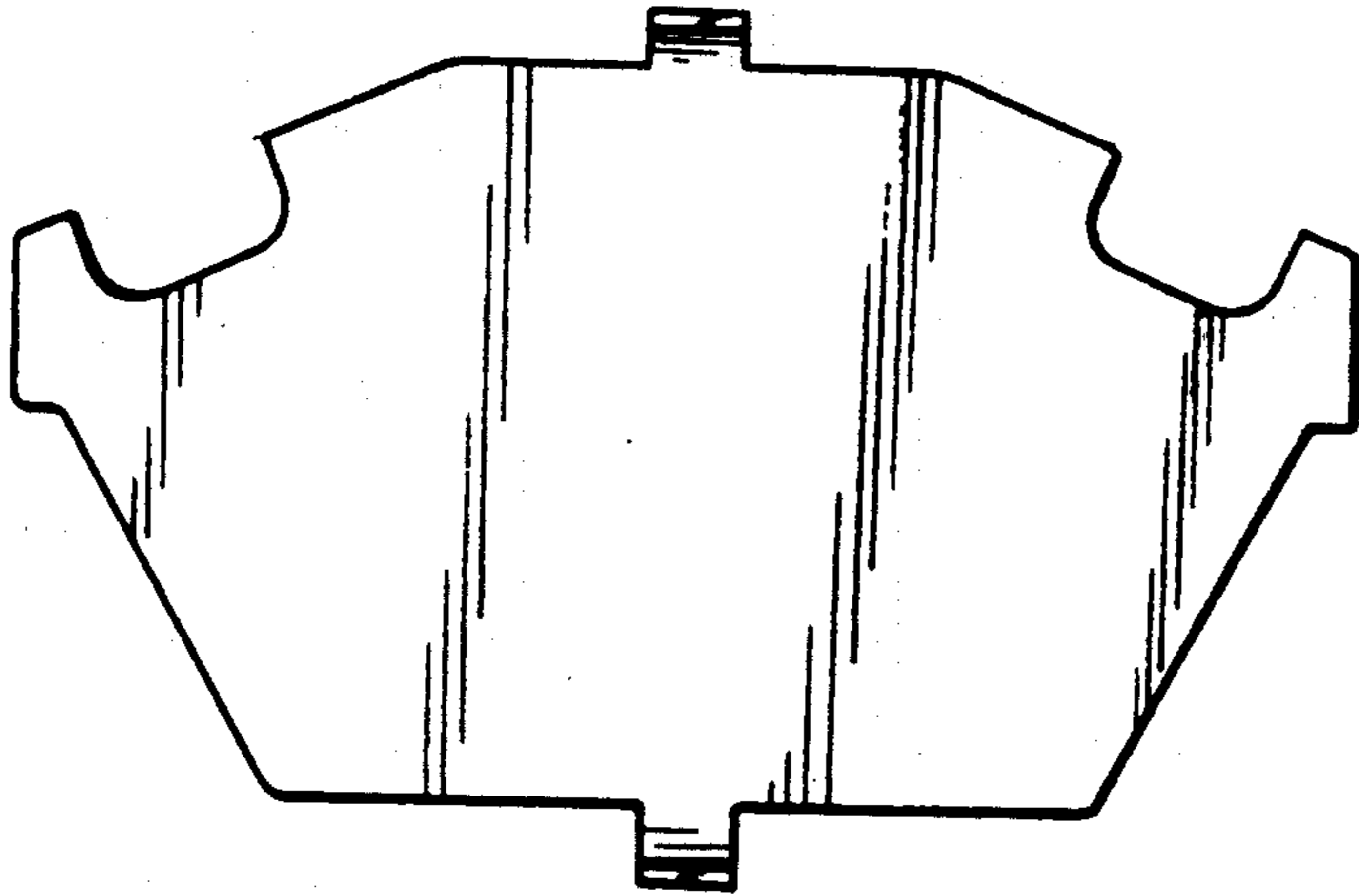


Fig-5



Fig-6



Fig-7