



US00D337980S

United States Patent [19] Ng

[11] Patent Number: **Des. 337,980**

[45] Date of Patent: **** Aug. 3, 1993**

[54] **SNOWBOARD CARRIER FOR ATTACHMENT TO A VEHICLE ROOF RACK**

[75] Inventor: **Daniel Ng, Berkeley, Calif.**

[73] Assignee: **Industri AB Thule, Hillerstorp, Sweden**

[**] Term: **14 Years**

[21] Appl. No.: **558,187**

[22] Filed: **Jul. 26, 1990**

[30] **Foreign Application Priority Data**

Feb. 1, 1990 [SE] Sweden 90-0206
[52] U.S. Cl. **D12/157**
[58] Field of Search **D12/157; D8/349, 354, D8/394; 224/318, 319, 321, 323, 324; 211/60.1, 70.5**

[56] **References Cited**

U.S. PATENT DOCUMENTS

4,056,220	11/1977	Trimble	211/70.5
4,081,118	3/1978	Mason	224/324
4,278,192	7/1981	Sazegar	224/324
4,330,065	5/1982	Haddad	211/70.5
4,863,082	9/1989	Evans et al.	211/70.5

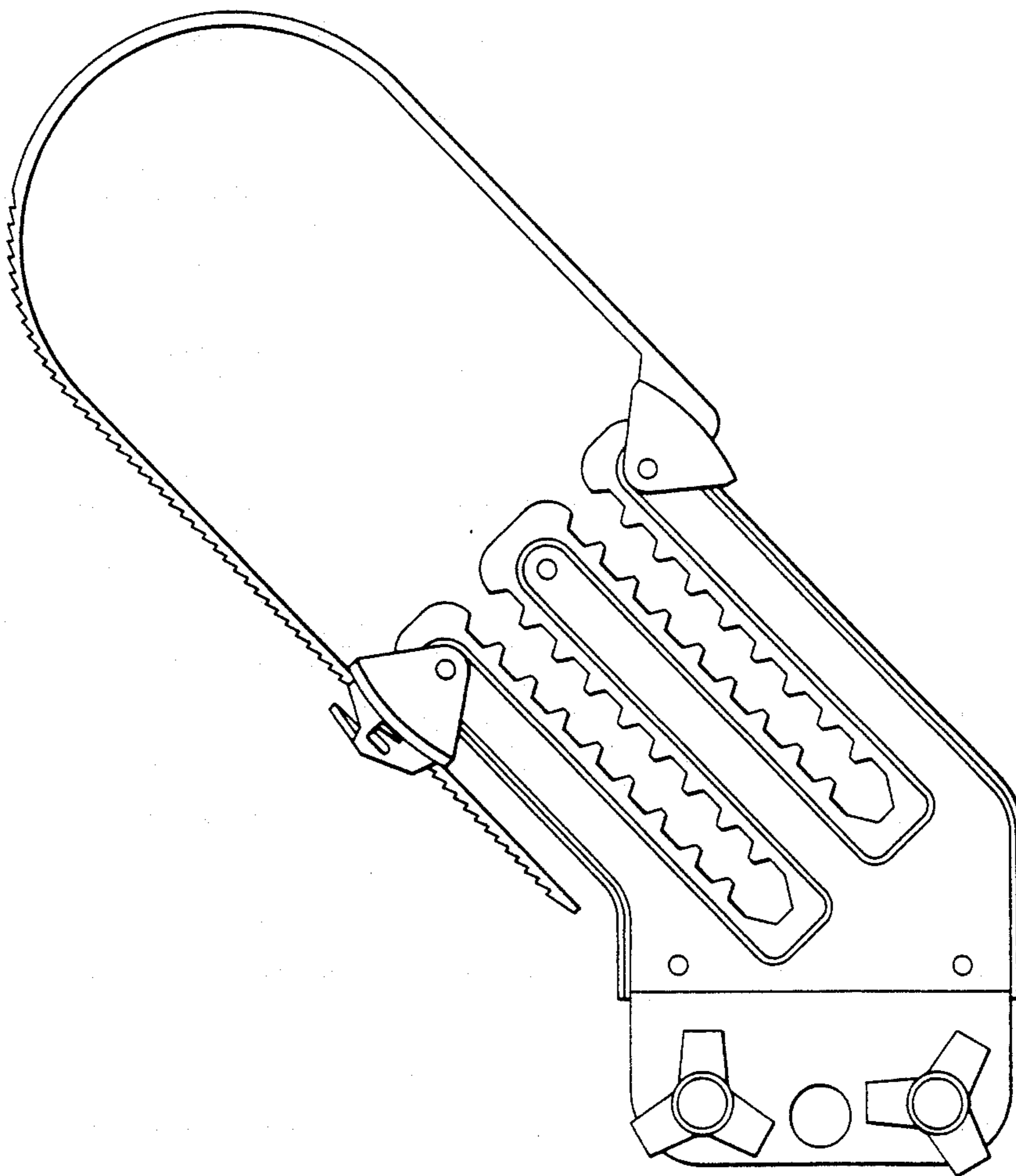
Primary Examiner—James M. Gandy
Attorney, Agent, or Firm—Burns, Doane, Swecker & Mathis

[57] **CLAIM**

The ornamental design for a snowboard carrier for attachment to a vehicle roof rack, as shown.

DESCRIPTION

FIG. 1 is a front elevation view of a snowboard carrier for attachment to a vehicle roof rack showing my new design;
FIG. 2 is a back elevation view thereof;
FIG. 3 is a top view thereof;
FIG. 4 is a bottom view thereof;
FIG. 5 is a side view thereof; and,
FIG. 6 is a view of the other side thereof.



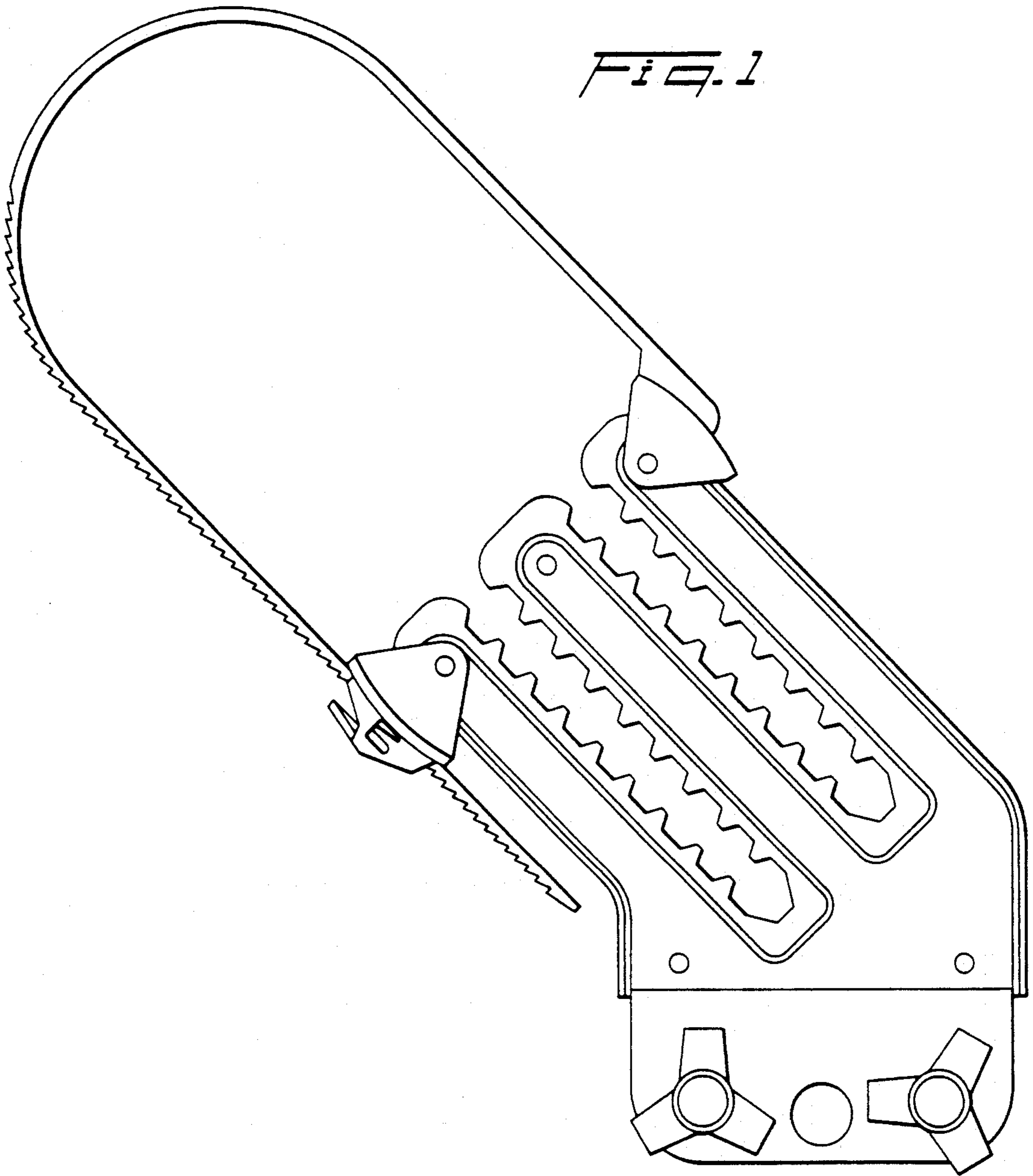
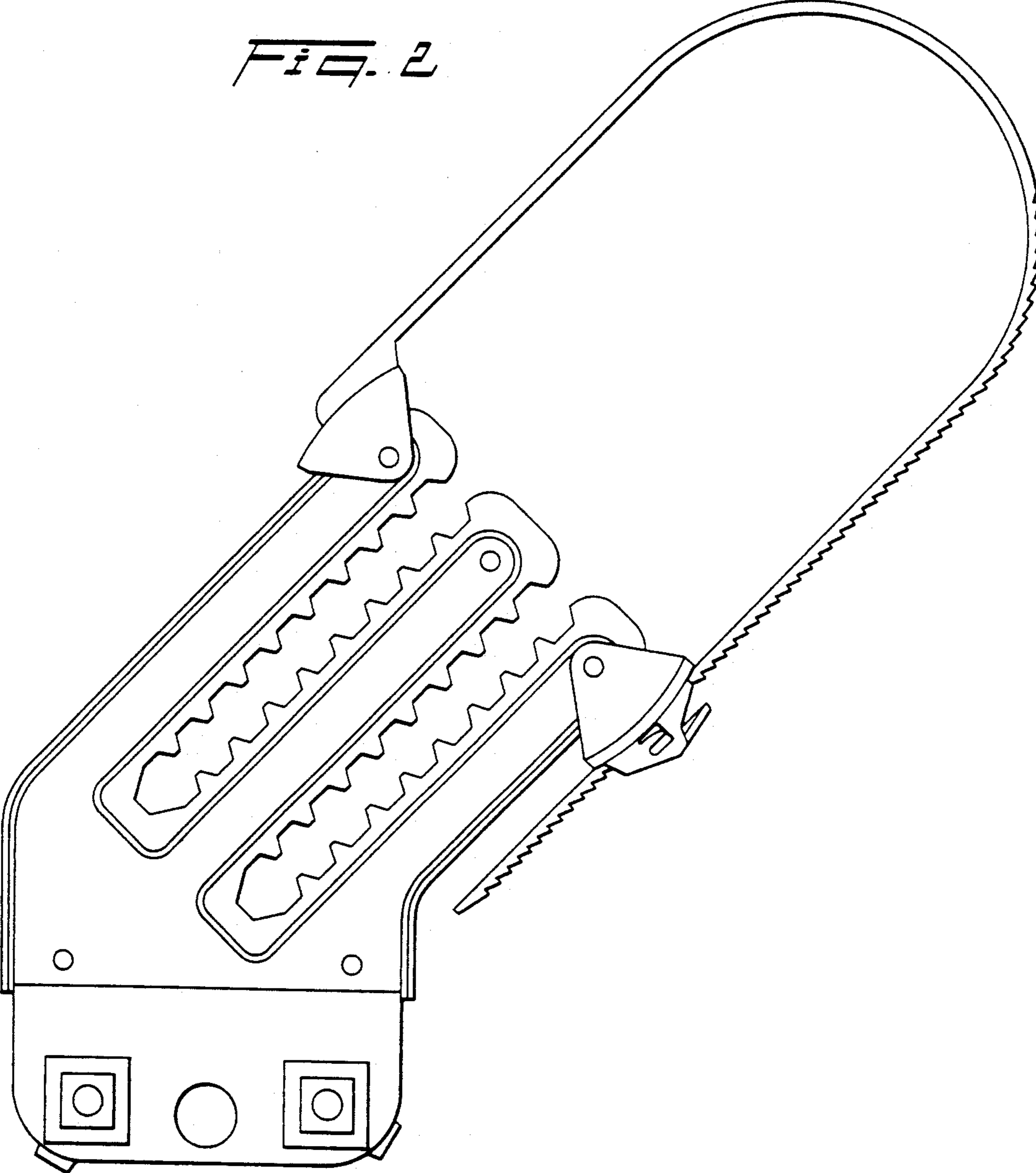


Fig. 1

Fig. 2



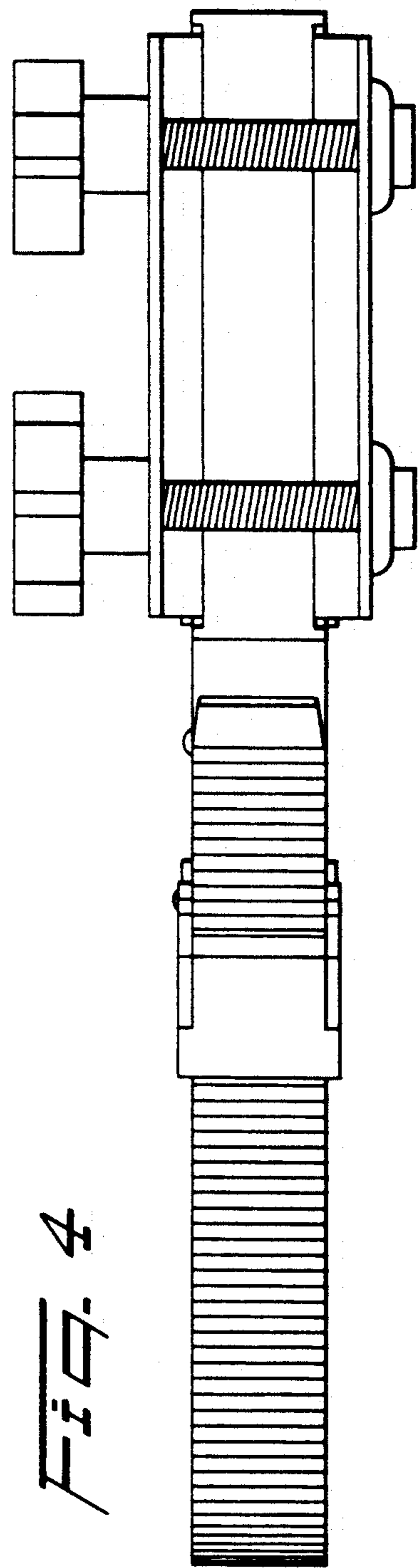
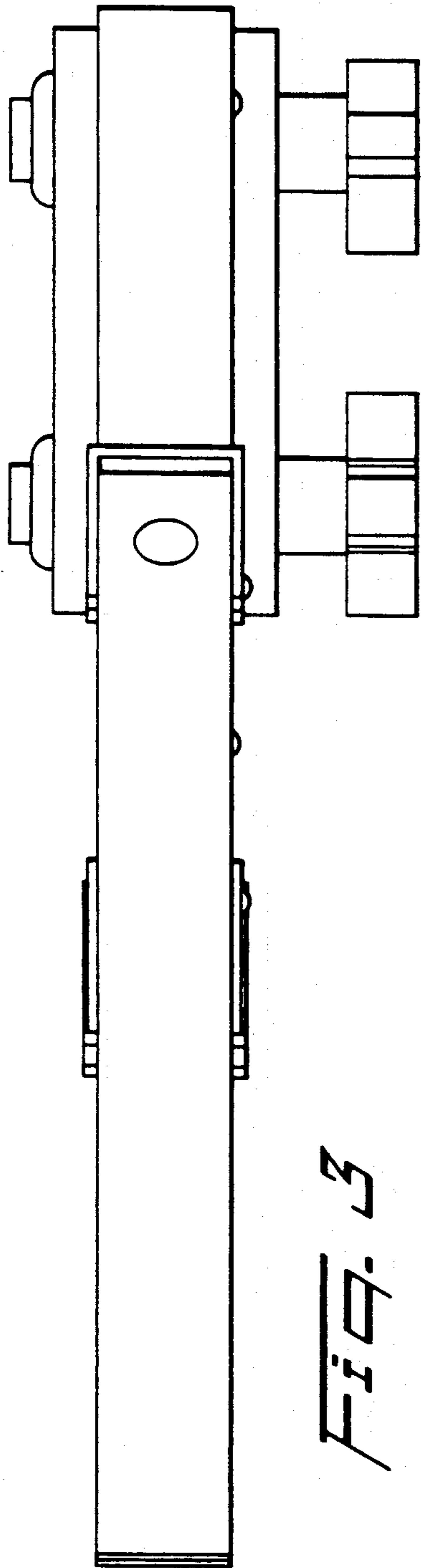


Fig. 5

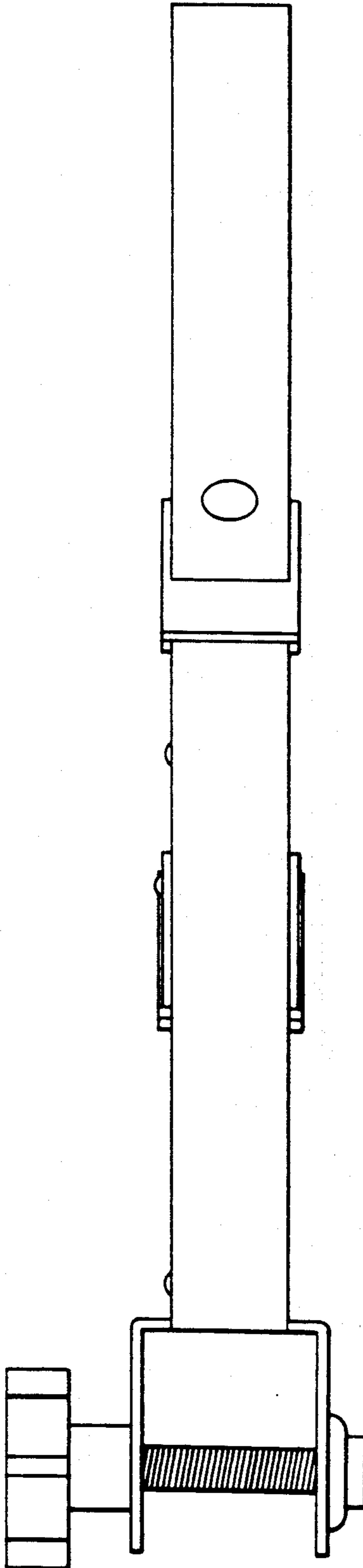


Fig. 6

