



US00D337972S

United States Patent [19]

[11] Patent Number: **Des. 337,972**

Slayter

[45] Date of Patent: **** Aug. 3, 1993**

[54] **MOTOR HOME FRONT PANEL UNIT
EXTERIOR SURFACE**

[75] Inventor: **John D. Slayter, Riverside, Calif.**

[73] Assignee: **Fleetwood Enterprises, Riverside,
Calif.**

[**] Term: **14 Years**

[21] Appl. No.: **847,805**

[22] Filed: **Mar. 3, 1992**

[52] U.S. Cl. **D12/100; D12/196**

[58] Field of Search **D12/99, 100, 196;
296/156, 164, 192, 194**

[56] **References Cited**

U.S. PATENT DOCUMENTS

D. 320,960 10/1991 Shea, Sr. D12/100

OTHER PUBLICATIONS

R.V. Business, Dec. 7, 1990, p. 11, Front Panel Unit of
Champion Motor Home, top of page.

R.V. Business, Dec. 7, 1990, Front Panel Unit of Gran-
ville Motor Home, lower right side of page.

Primary Examiner—James M. Gandy
Attorney, Agent, or Firm—Price, Gess & Ubell

[57] **CLAIM**

The ornamental design for a motor home front panel
unit exterior surface, as shown and described.

DESCRIPTION

FIG. 1 is a front perspective view of the motor home
front panel unit exterior surface showing the new de-
sign;

FIG. 2 is a front elevational view thereof;

FIG. 3 is a left side elevational view thereof;

FIG. 4 is a right side elevational view thereof; and,

FIG. 5 is a top plan view thereof.

The broken line showing of a motor home body in FIG.
1 of the drawing is for illustrative purposes only and
forms no part of the claimed design.

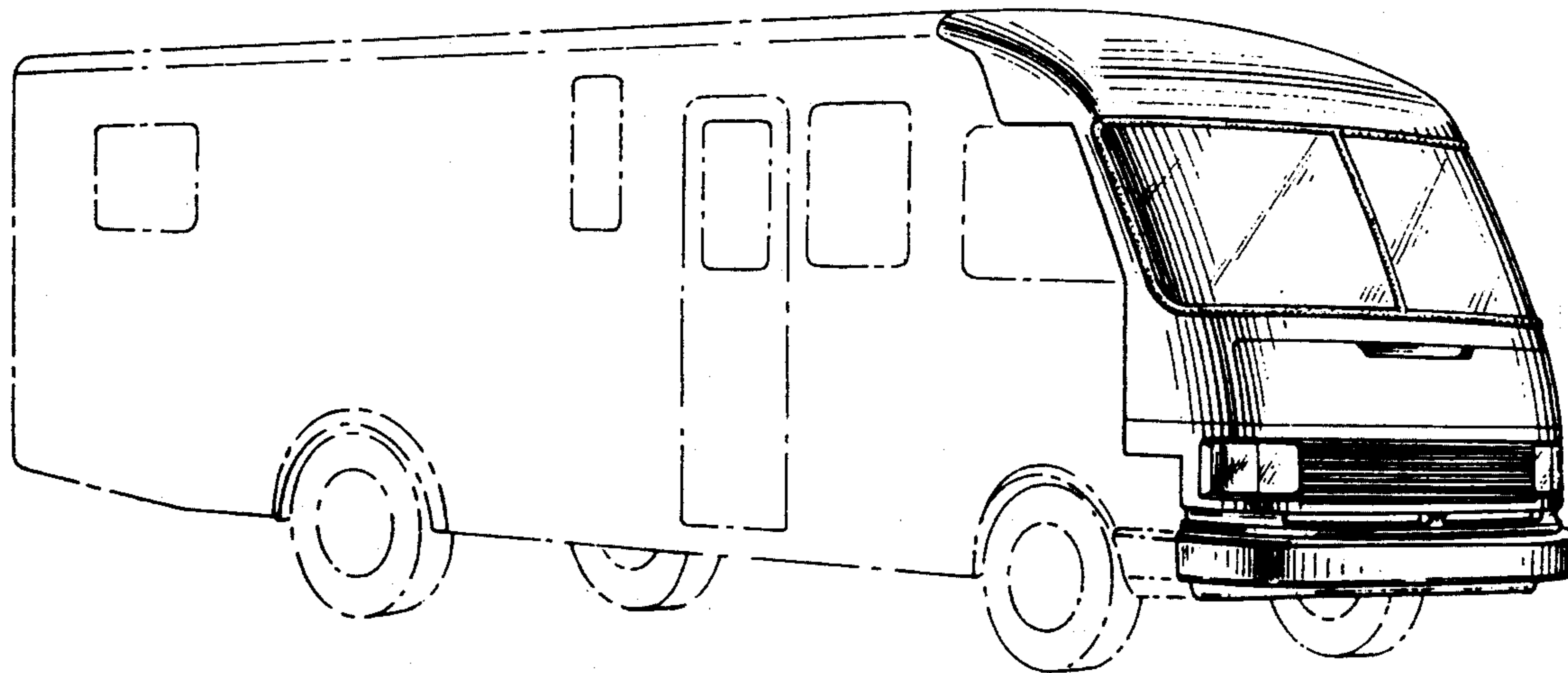


FIG. 1

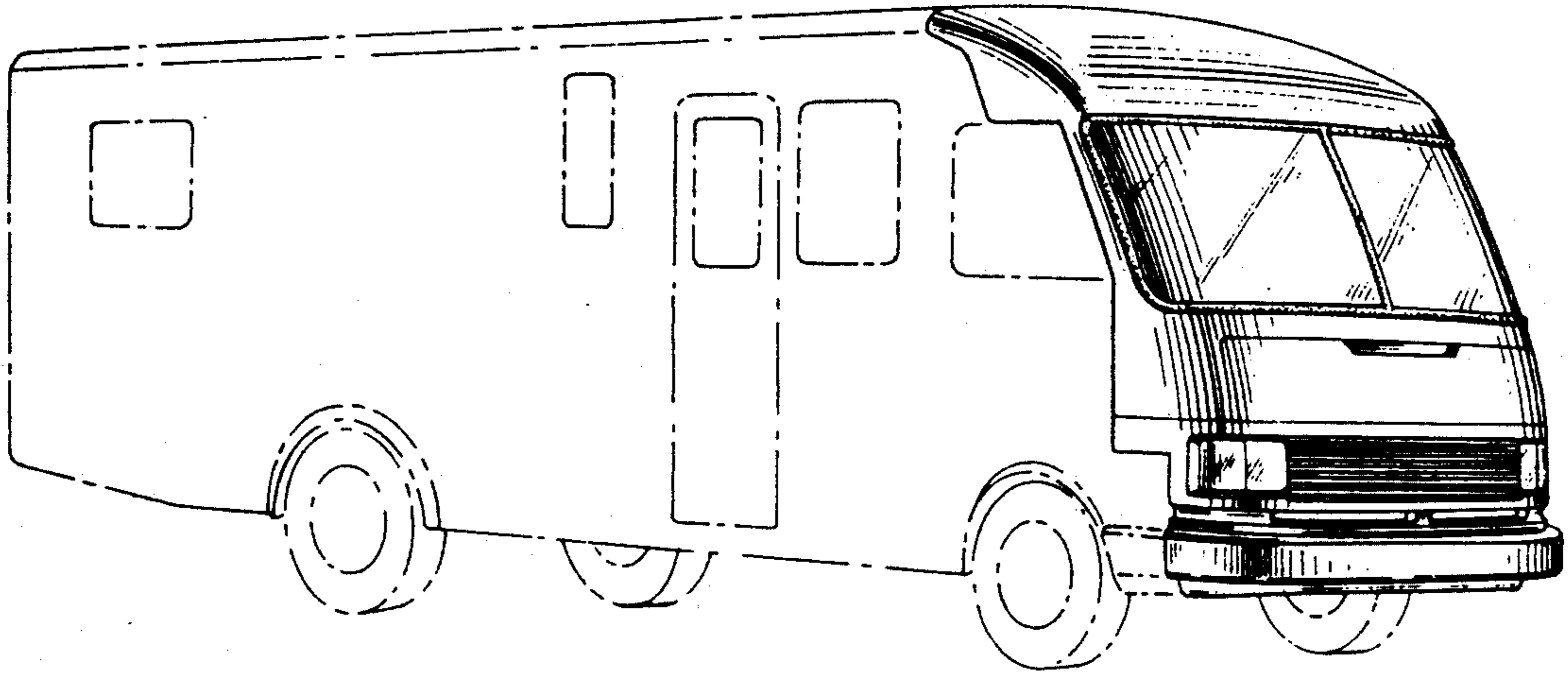


FIG. 3

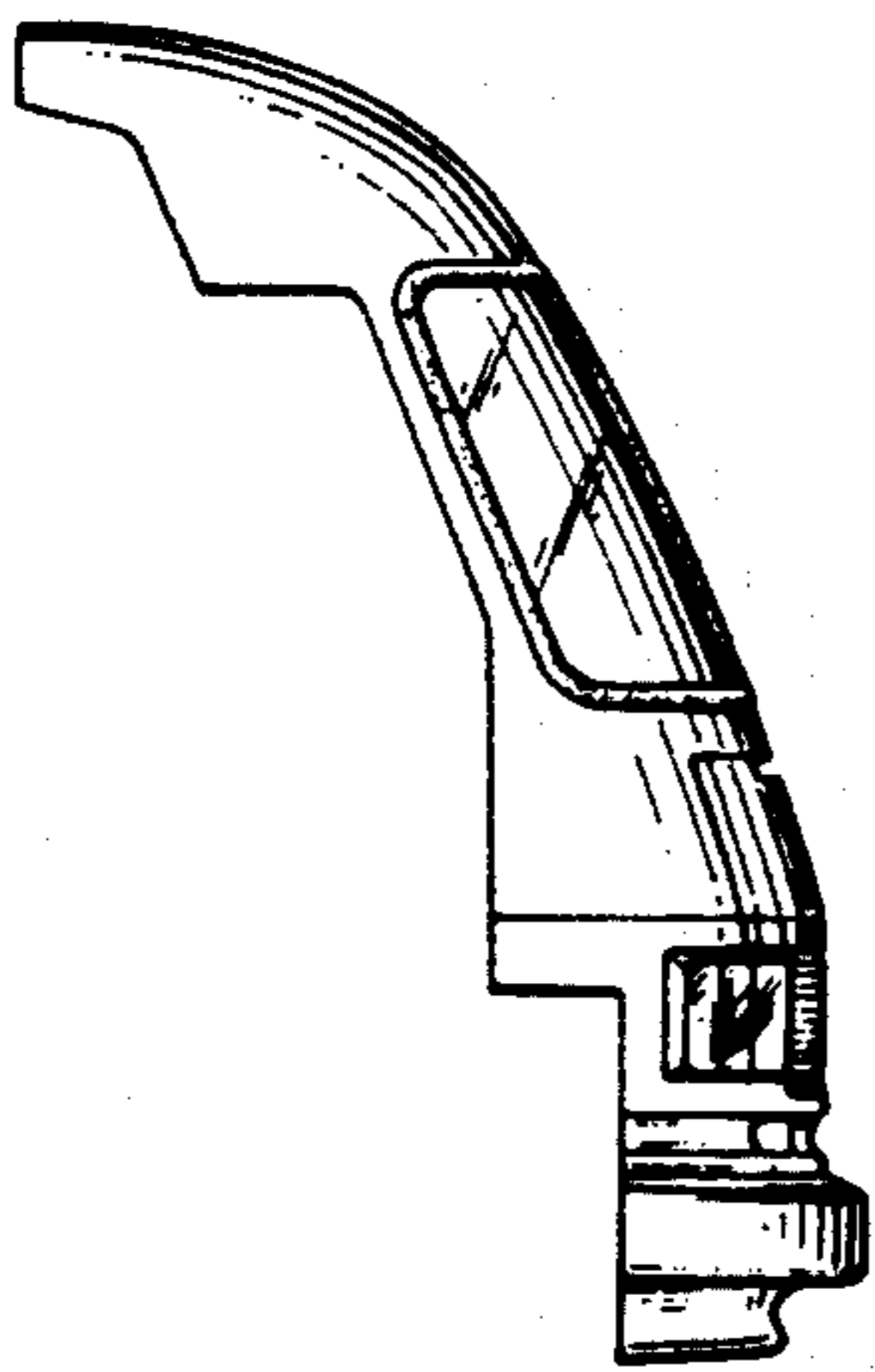


FIG. 2

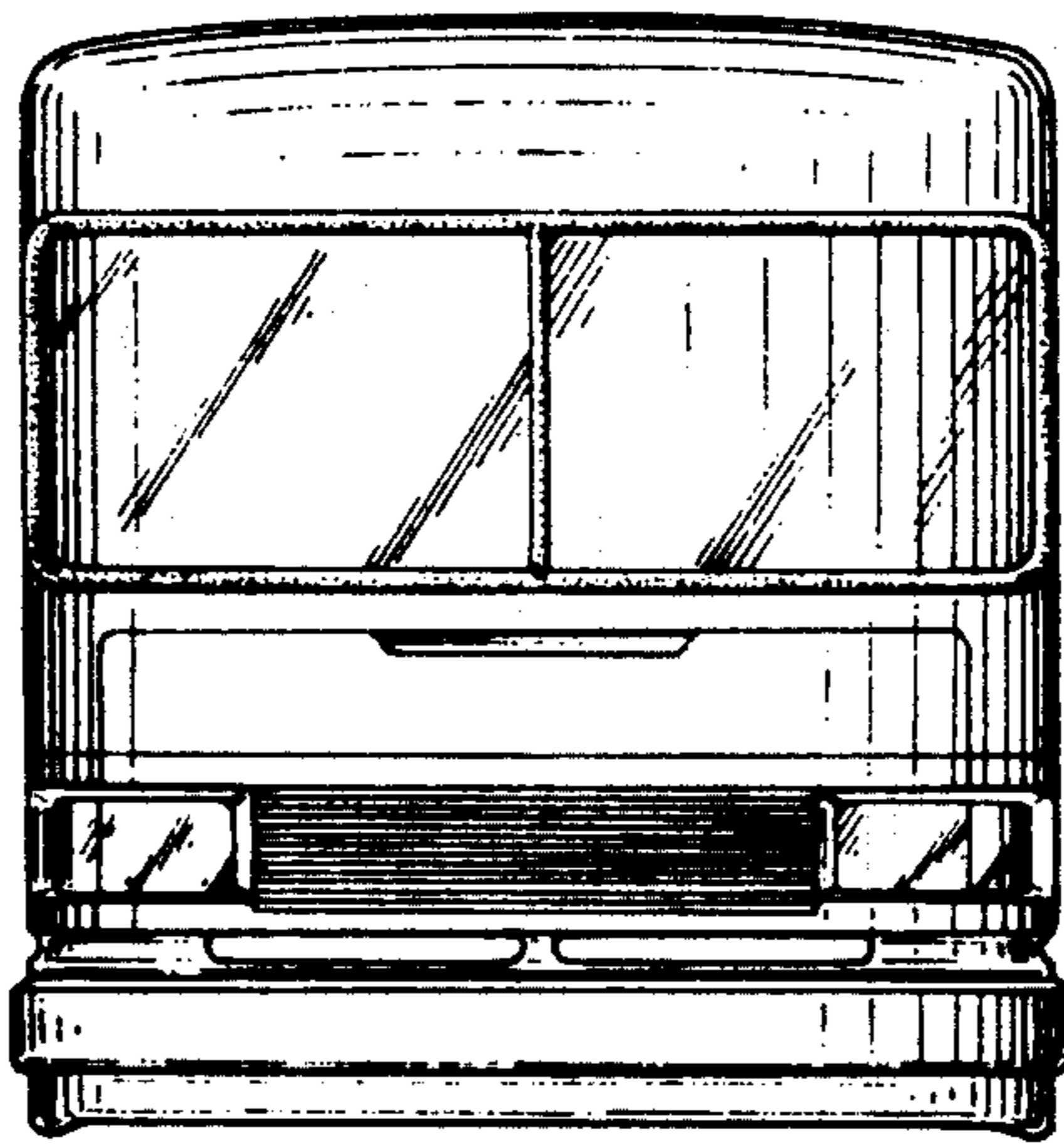


FIG. 4

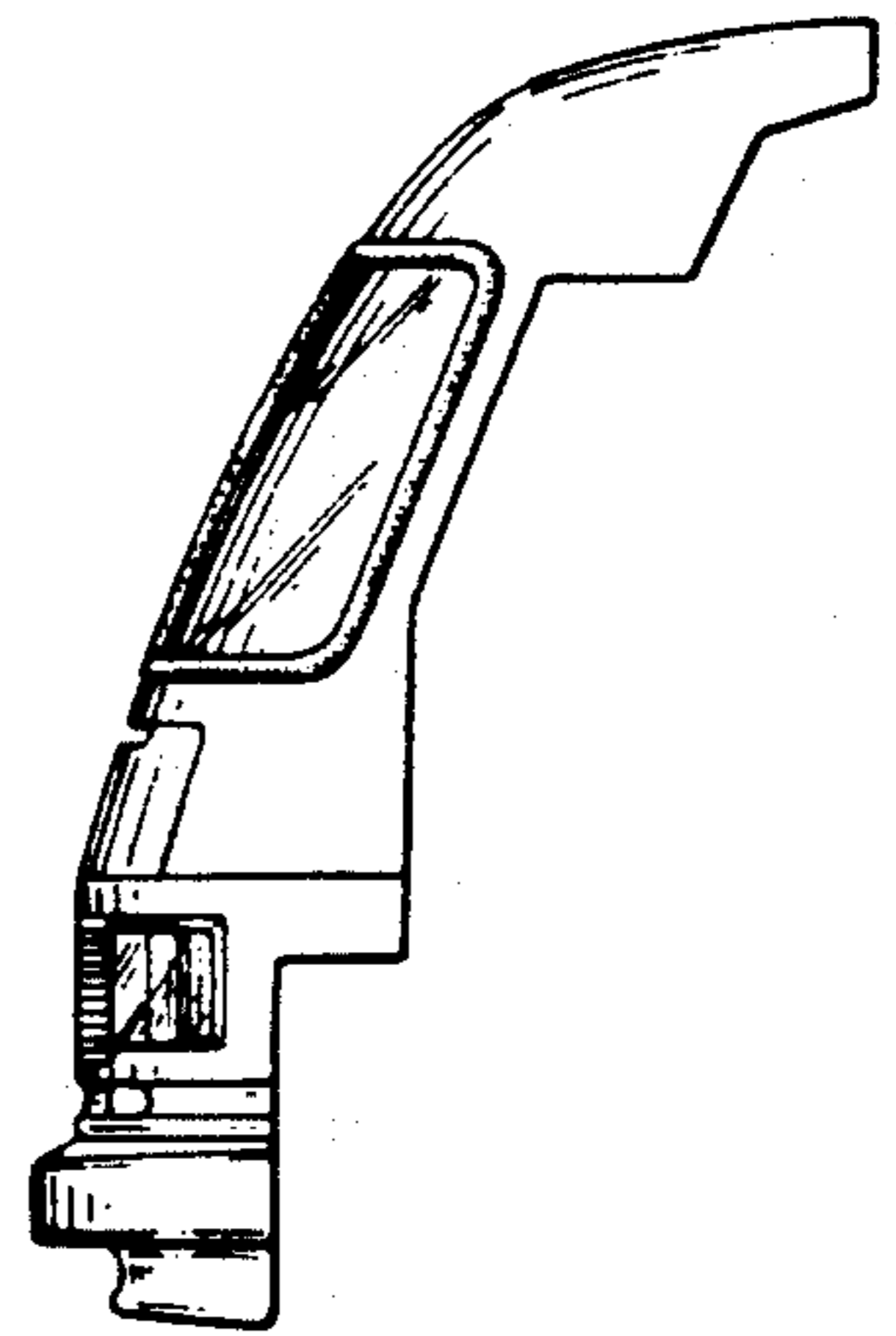


FIG. 5

