



US00D337959S

United States Patent [19]

[11] Patent Number: **Des. 337,959**

Lawhon et al.

[45] Date of Patent: **** Aug. 3, 1993**

[54] **FLUID LEVEL PROBE MOUNTING UNIT**

[75] Inventors: **Davie B. Lawhon, Furlong; James C. Rodgers, Pipersville; George H. Alexander, Jr., Hatfield, all of Pa.**

[73] Assignee: **Betz Laboratories, Inc., Trevose, Pa.**

[**] Term: **14 Years**

[21] Appl. No.: **636,981**

[22] Filed: **Jan. 3, 1991**

[52] U.S. Cl. **D10/103; D23/263**

[58] Field of Search **D23/259-269; D10/96, 101, 103; 285/150; 73/866.5**

3,025,464	3/1962	Bond	73/866.5 X
4,096,754	6/1978	Beveridge, Jr. et al.	73/866.5
4,703,664	11/1987	Kirkpatrick et al.	73/866.5
4,817,450	4/1989	Jachim	73/866.5
4,872,356	10/1989	Barnett et al.	73/866.5
4,926,704	5/1990	Survil et al.	73/866.5

Primary Examiner—James R. Largen
Attorney, Agent, or Firm—Alexander D. Ricci; Bruce E. Peacock

[57] **CLAIM**

The ornamental design for a fluid level probe mounting unit, as shown and described.

DESCRIPTION

FIG. 1 is a perspective view taken from the top, front and left side of a fluid level probe mounting unit showing our new design;

FIG. 2 is a top plan view thereof;

FIG. 3 is a bottom plan view thereof;

FIG. 4 is a front elevational view thereof;

FIG. 5 is a rear elevational view thereof;

FIG. 6 is a left side elevational view thereof;

FIG. 7 is a right side elevational view thereof; and,

FIG. 8 is a cross sectional view taken on line 8—8 of FIG. 2.

[56] **References Cited**

U.S. PATENT DOCUMENTS

D. 184,024	12/1958	Morgan	D10/101
D. 235,139	5/1975	Ekman	D10/103
D. 245,482	8/1977	Flinta et al.	D10/96
D. 288,910	3/1987	Linzer	D10/103
D. 291,419	8/1987	Linzer	D10/96 X
998,904	7/1911	Jacobs	285/150 X
2,308,482	1/1943	Adams, Jr.	285/150 X
2,537,612	1/1951	Wildermuth	285/150 X

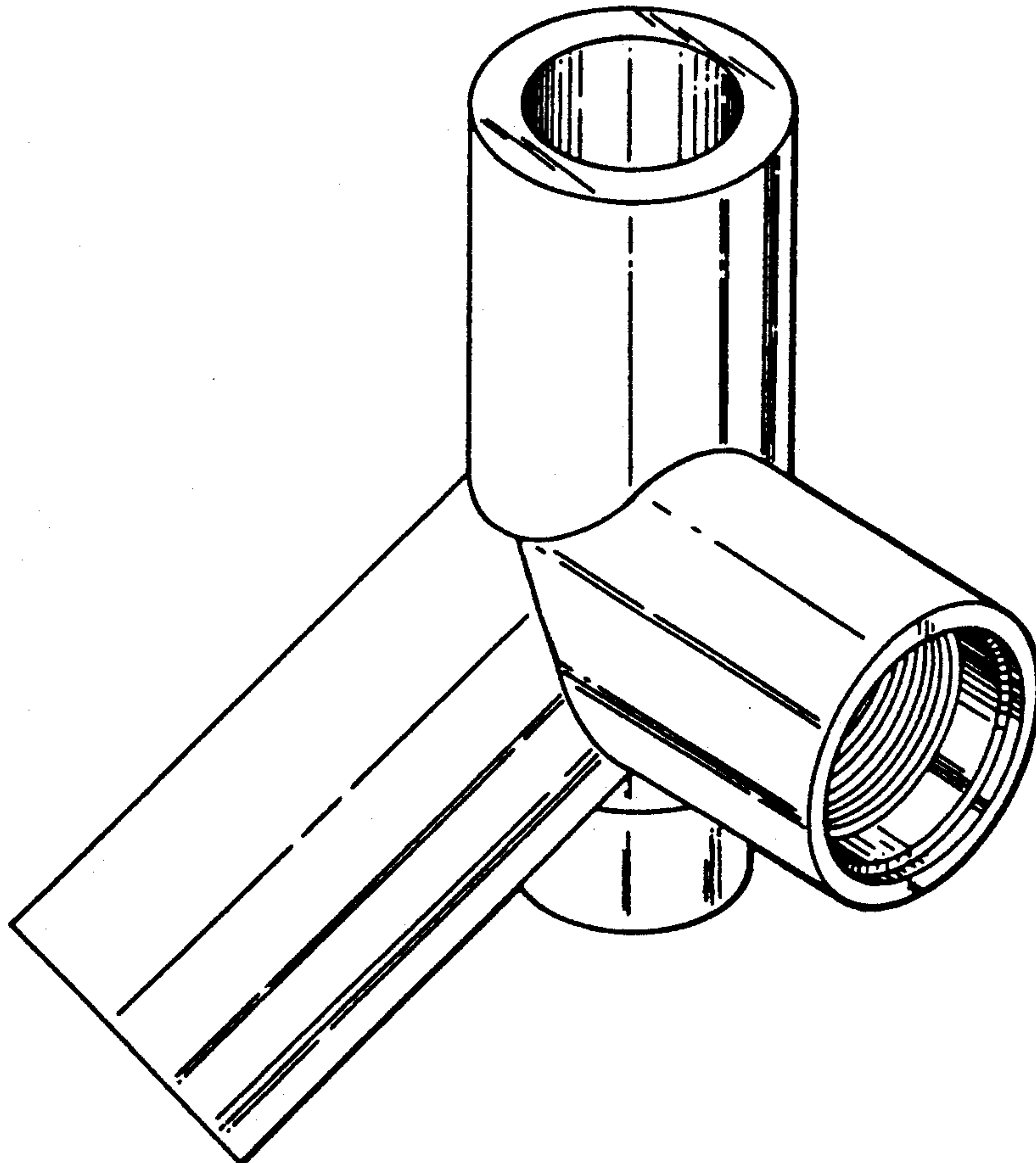


FIG-1

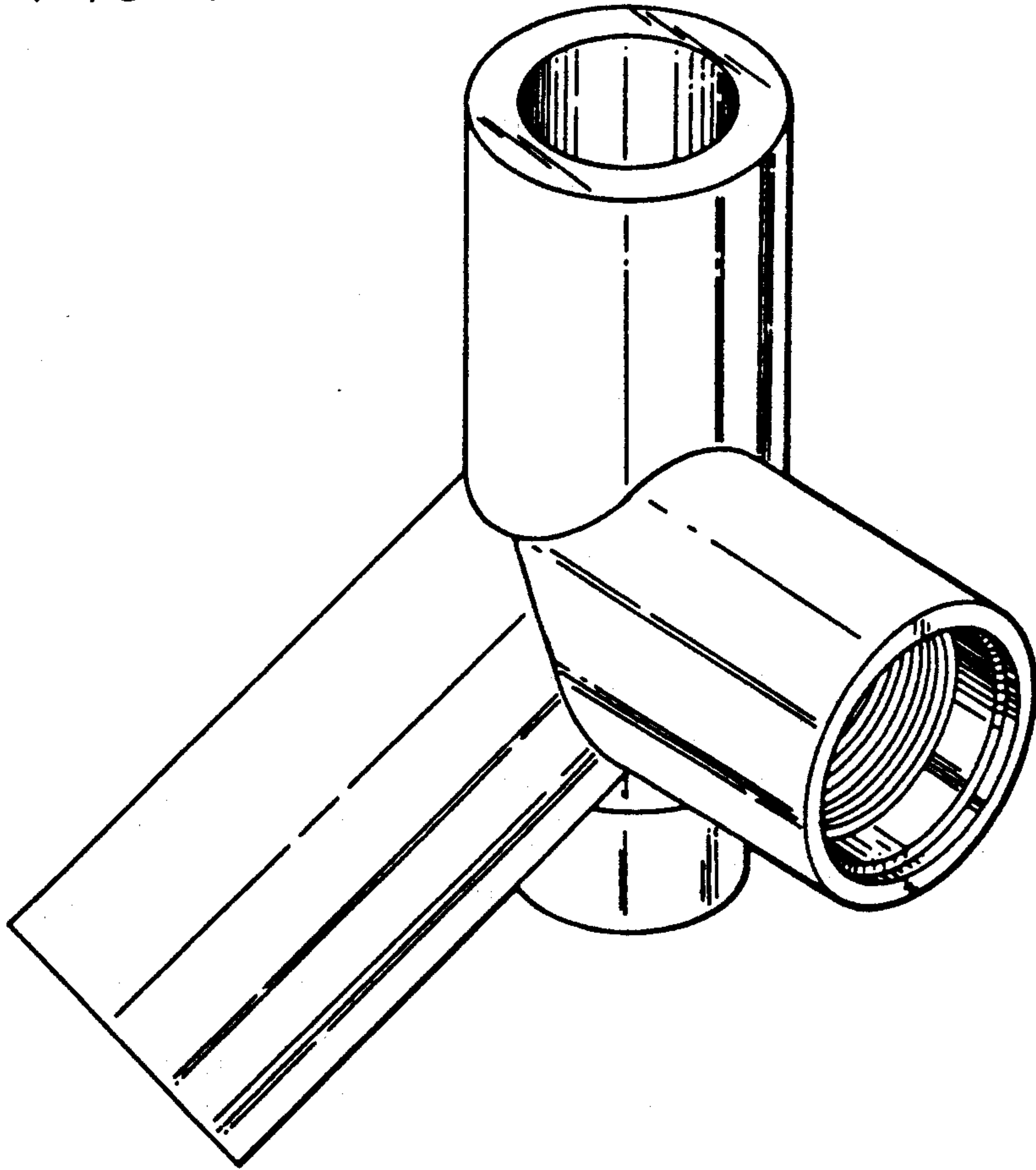


FIG-2

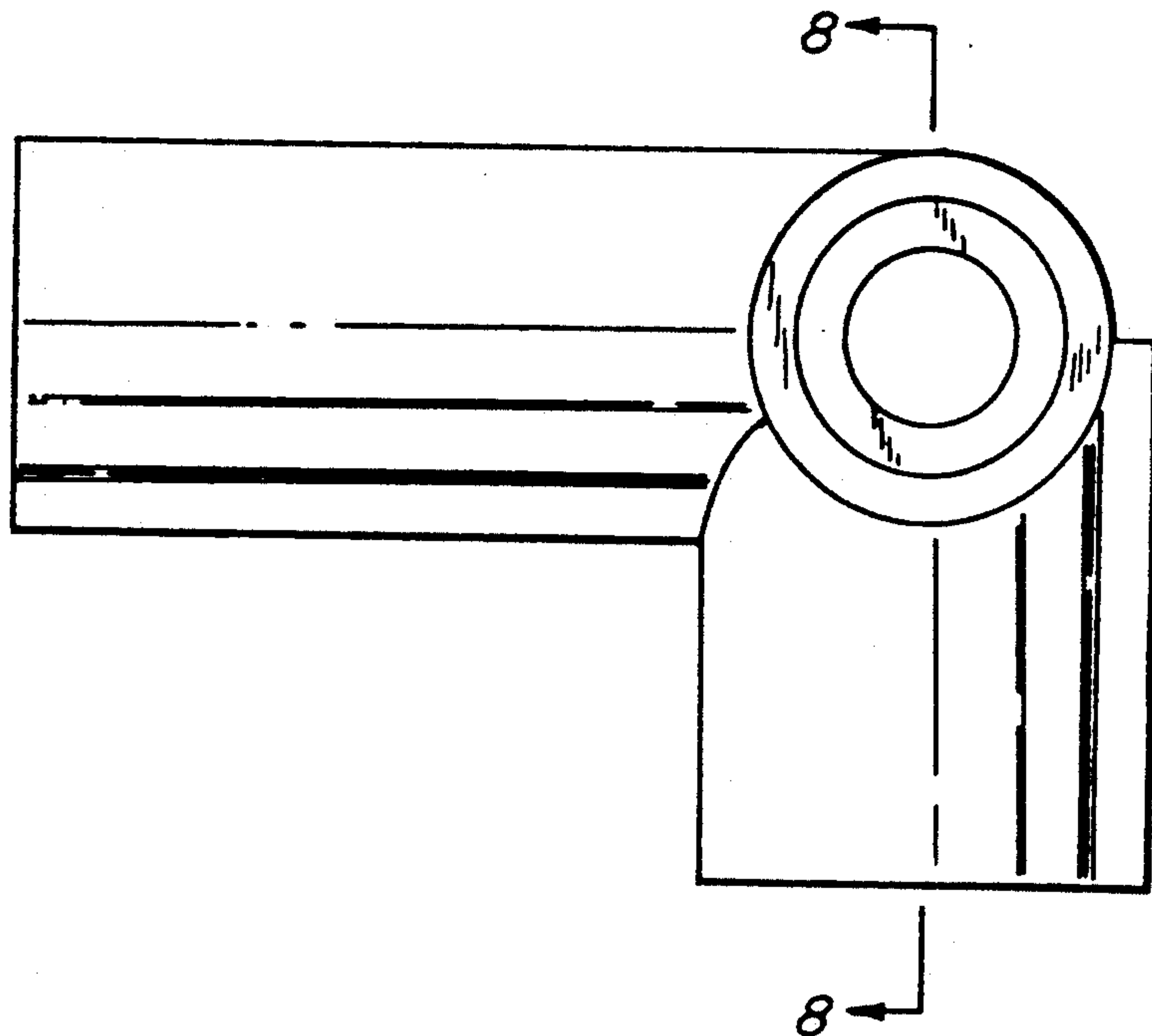


FIG-3

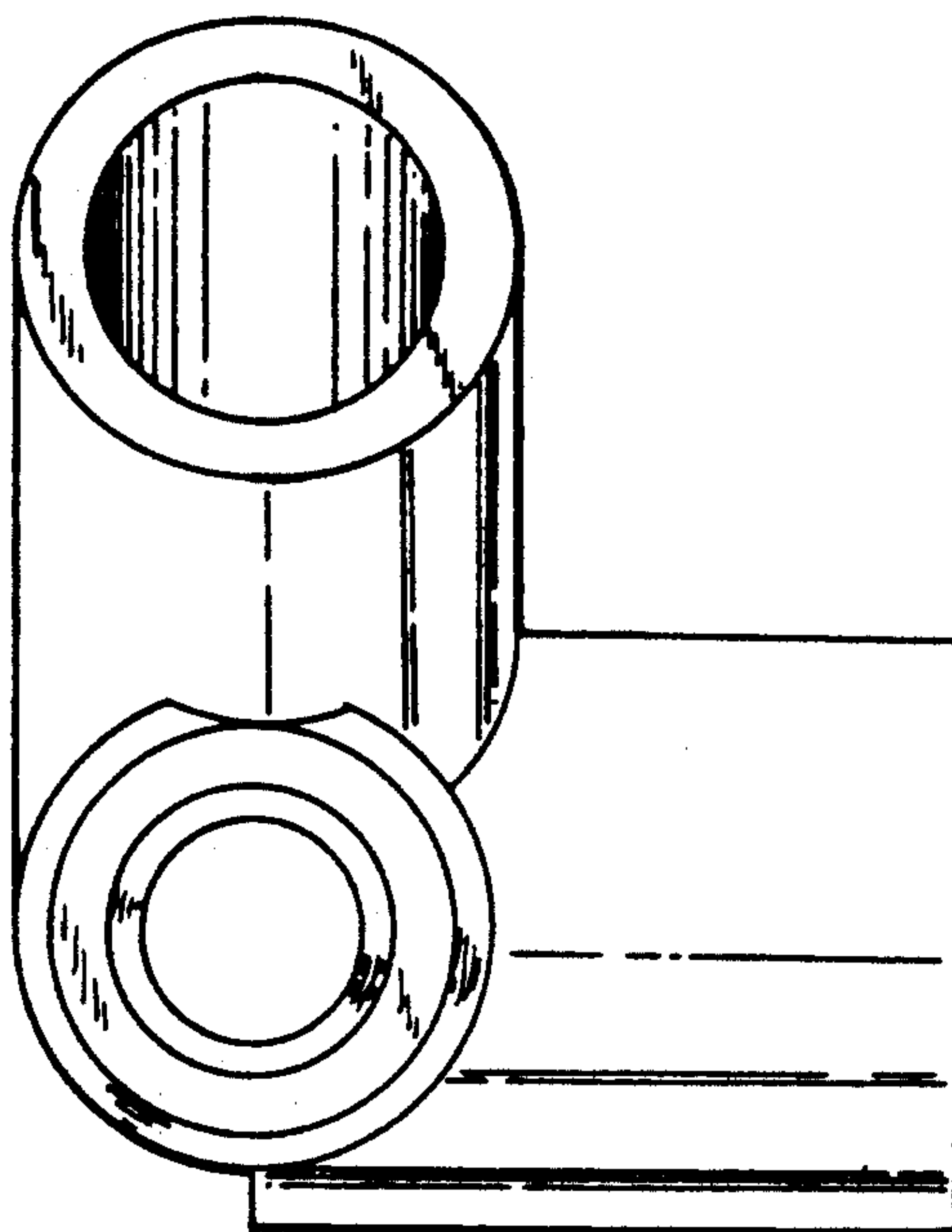


FIG-4

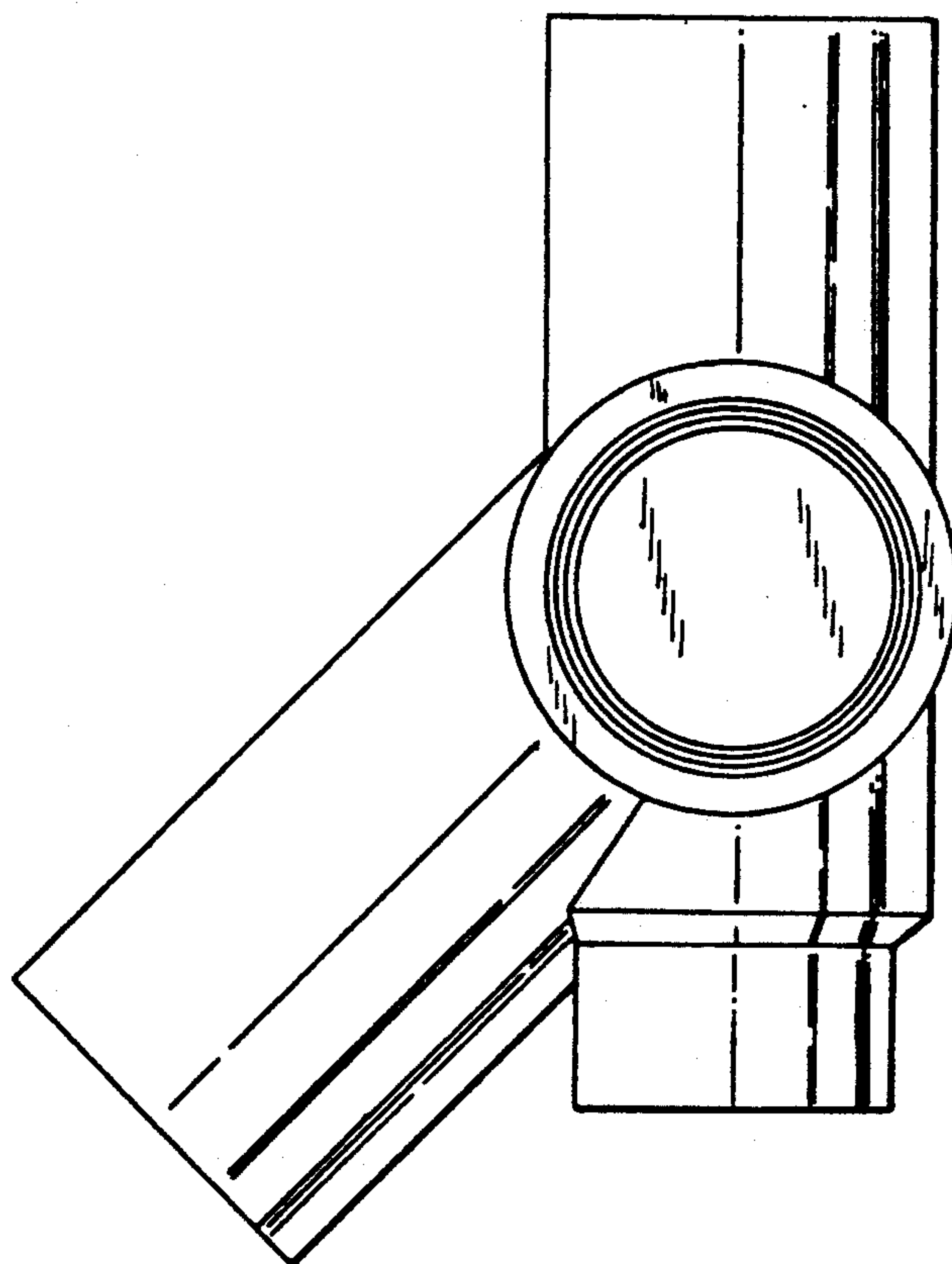


FIG-5

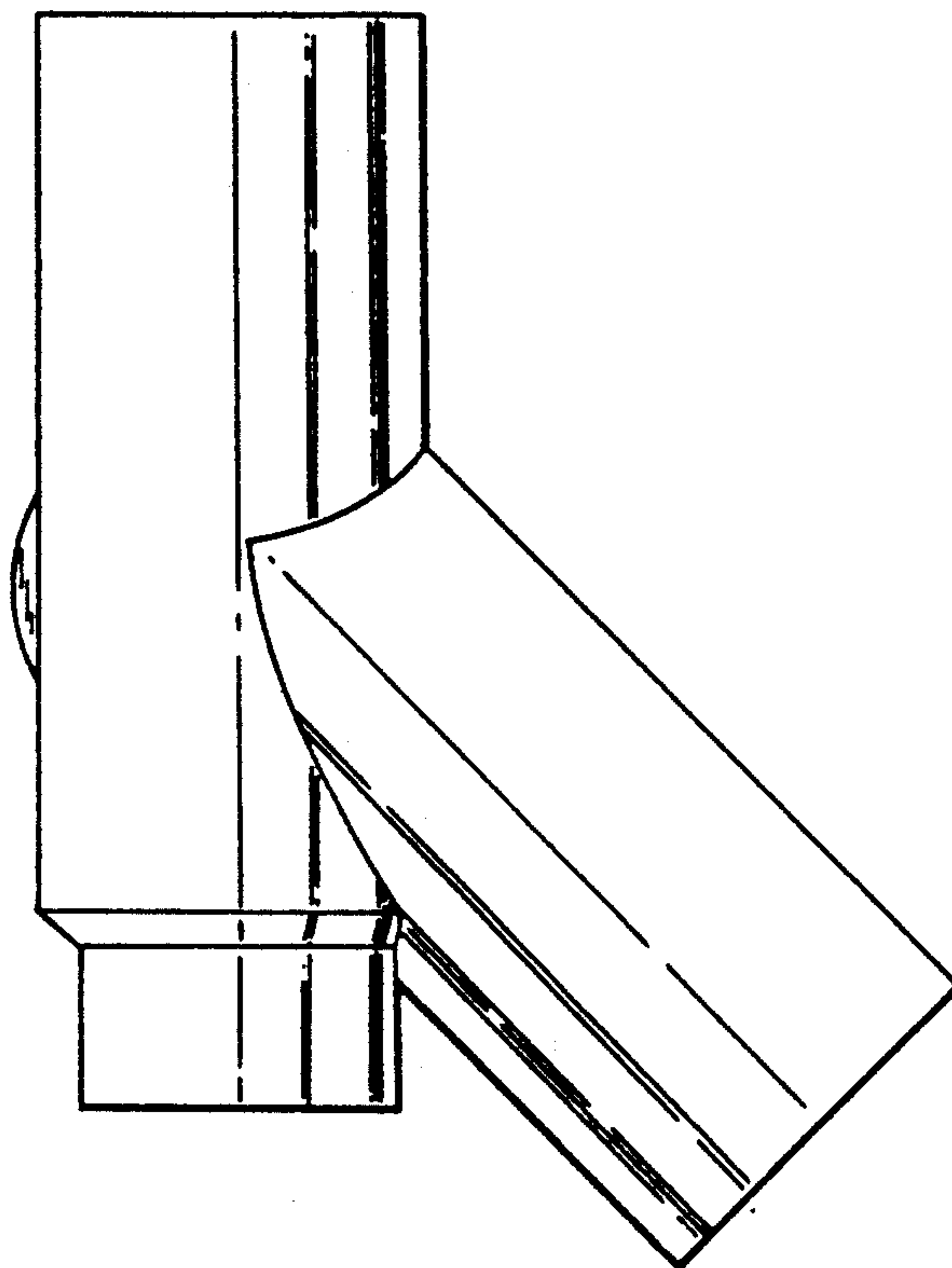


FIG-7

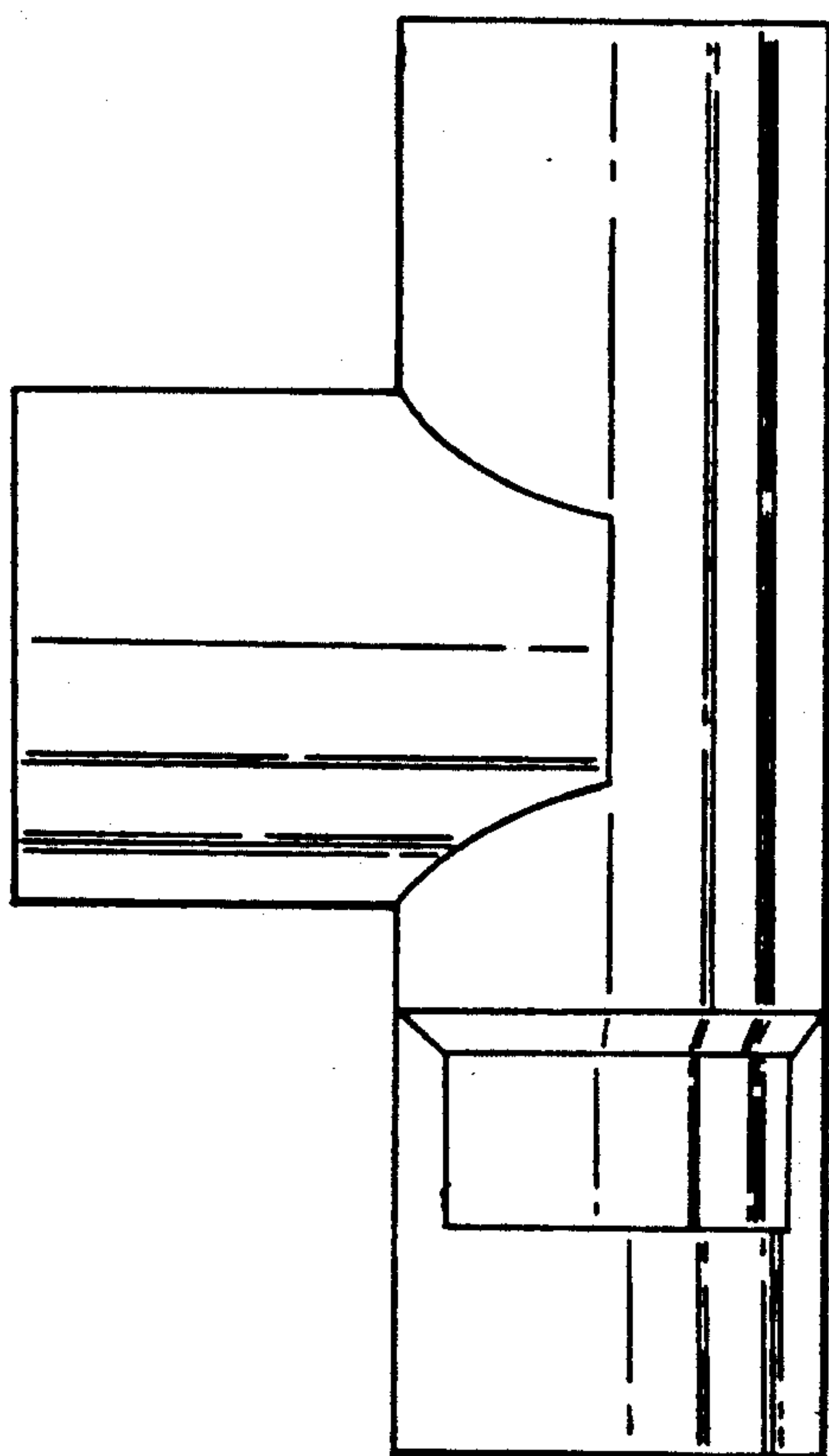


FIG-6

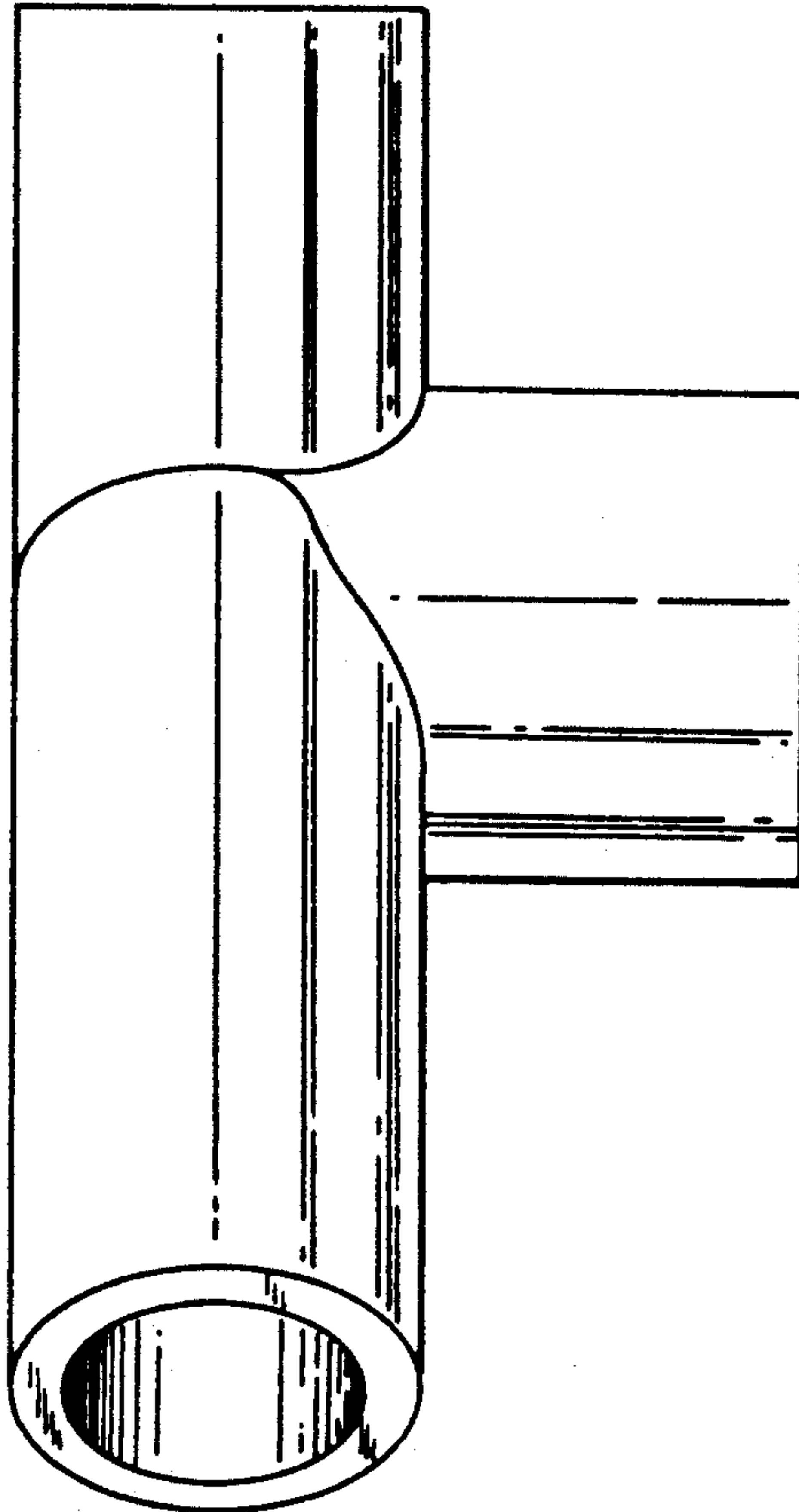


FIG-8

