



US00D337957S

United States Patent [19]

Jopt et al.

[11] Patent Number: **Des. 337,957**

[45] Date of Patent: **** Aug. 3, 1993**

[54] **DRAWING HEAD FOR A DRAWING MACHINE**

[75] Inventors: **Uwe Jopt; Heinrich Otten**, both of Wilhelmshaven; **Georg Kaluza, Velbert**, all of Fed. Rep. of Germany

[73] Assignee: **Franz Kuhlmann Prazisionsmchanik und Maschinenbau GmbH & Co.**, Wilhelmshaven, Fed. Rep. of Germany

[**] Term: **14 Years**

[21] Appl. No.: **668,443**

[22] Filed: **Mar. 13, 1991**

[52] U.S. Cl. **D10/74; D10/63**

[58] Field of Search **D10/63, 74; 33/430, 33/438-442, 1 M, 18.1**

[56] **References Cited**

U.S. PATENT DOCUMENTS

D. 261,274 10/1981 Gobeli D10/63 X
4,241,512 12/1980 Chikanobu et al. 33/438

4,246,703 1/1981 Robinet 33/430
4,520,573 6/1985 Otten 33/438
4,625,410 12/1986 Eder 33/1 M
4,738,029 4/1988 Held 33/18.1

Primary Examiner—Nelson C. Holtje
Assistant Examiner—Antoine D. Davis
Attorney, Agent, or Firm—Merchant & Gould Smith, Edell, Welter & Schmidt

[57] **CLAIM**

The ornamental design for a drawing head for a drawing machine, as shown.

DESCRIPTION

FIG. 1 is a perspective view taken from above the invention, the broken line showing of partially disclosed rail is for illustrative purposes;
FIG. 2 is a top plan view;
FIG. 3 is a bottom plan view;
FIG. 4 is a side elevational view of one side;
FIG. 5 is a side elevational view of the other side;
FIG. 6 is a front elevational view; and,
FIG. 7 is a rear elevational view.

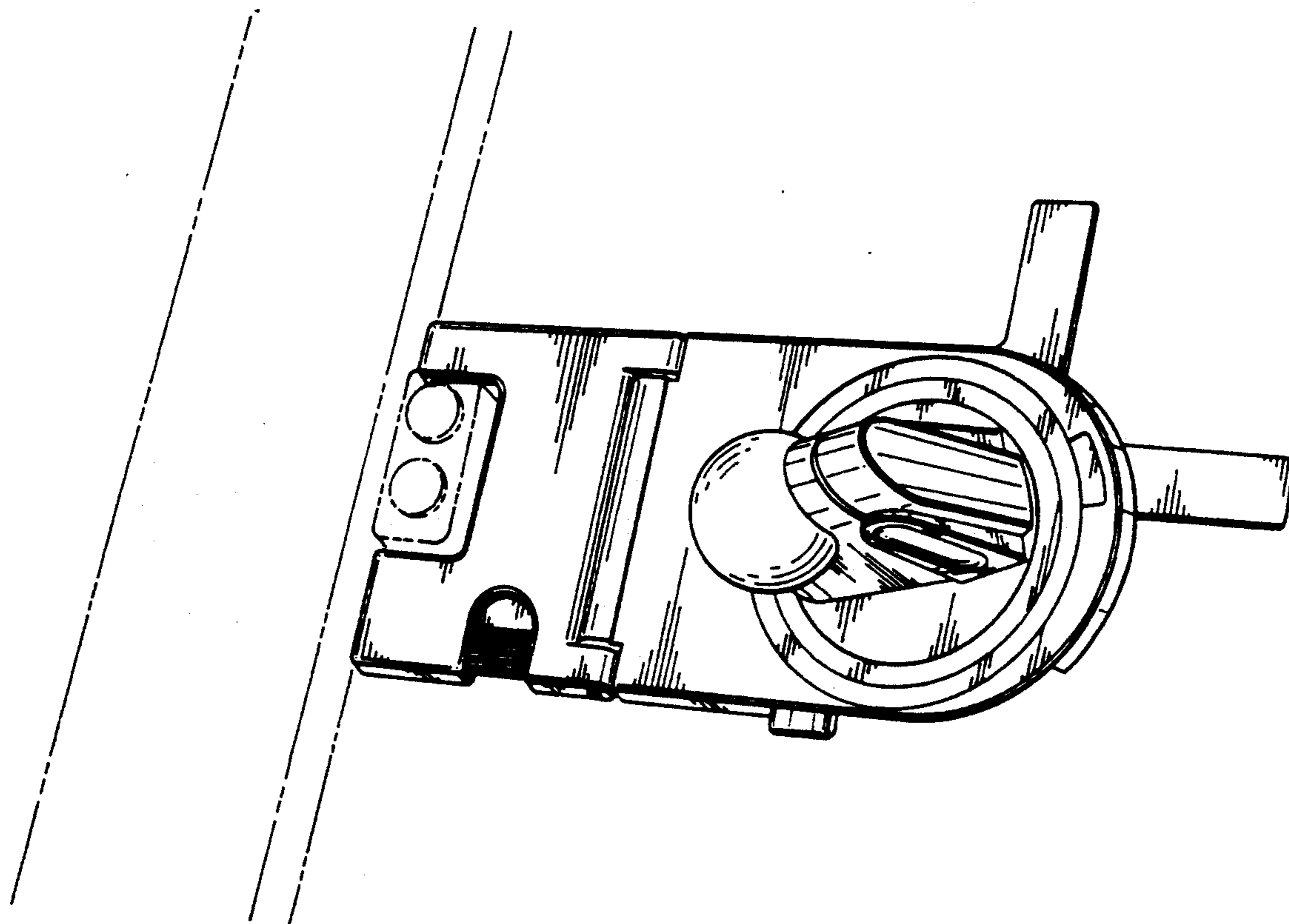
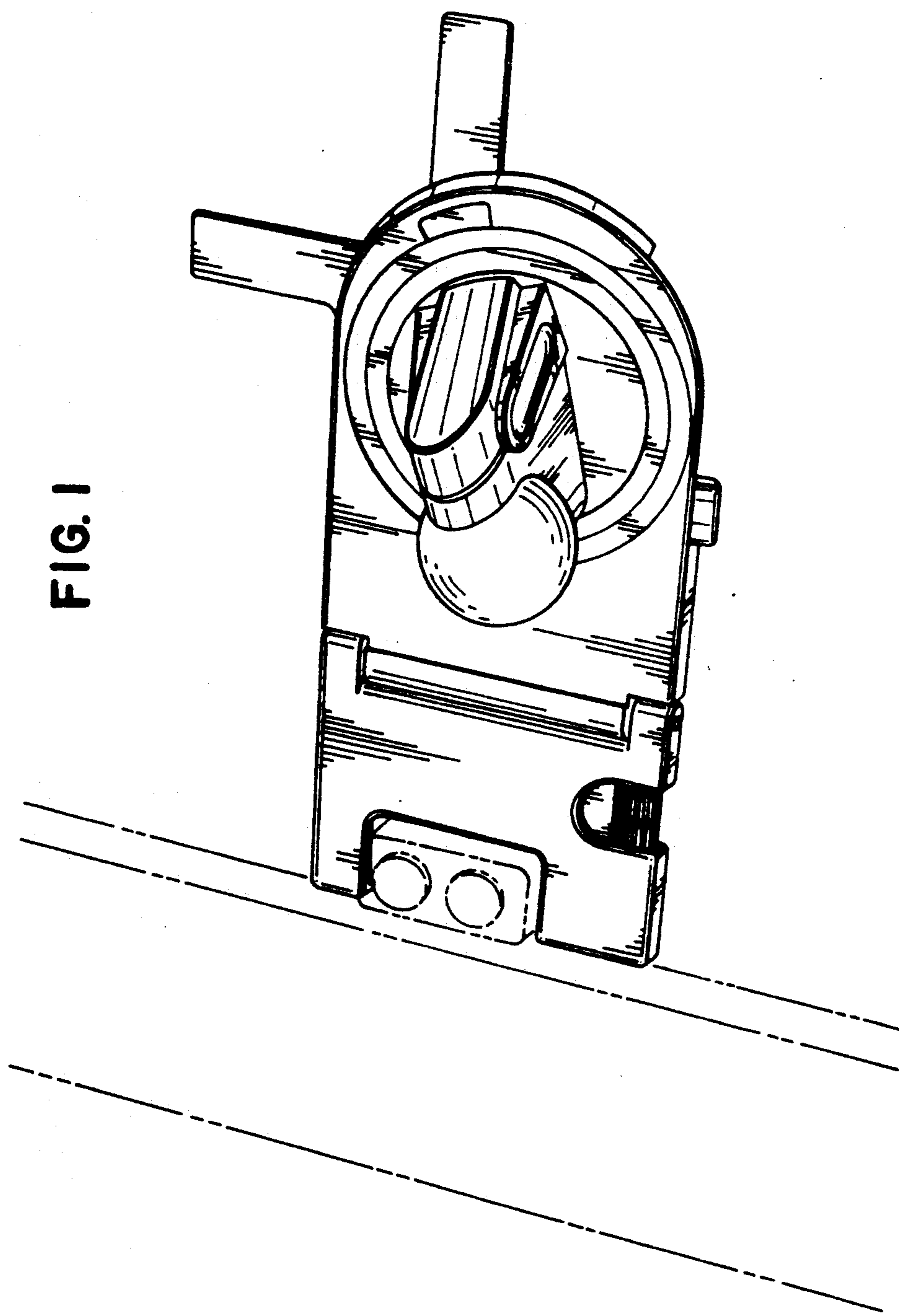


FIG. 1



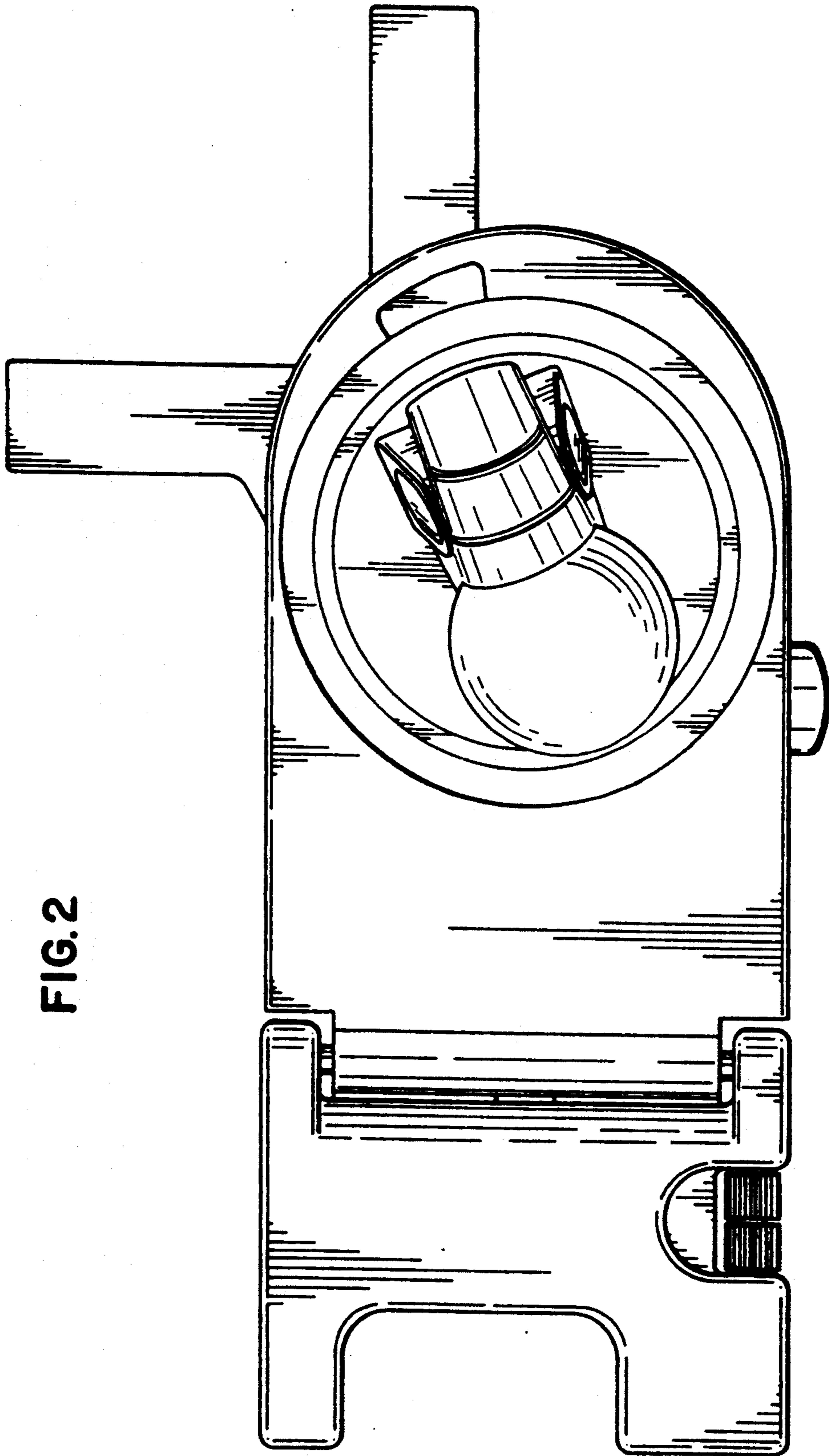


FIG. 2

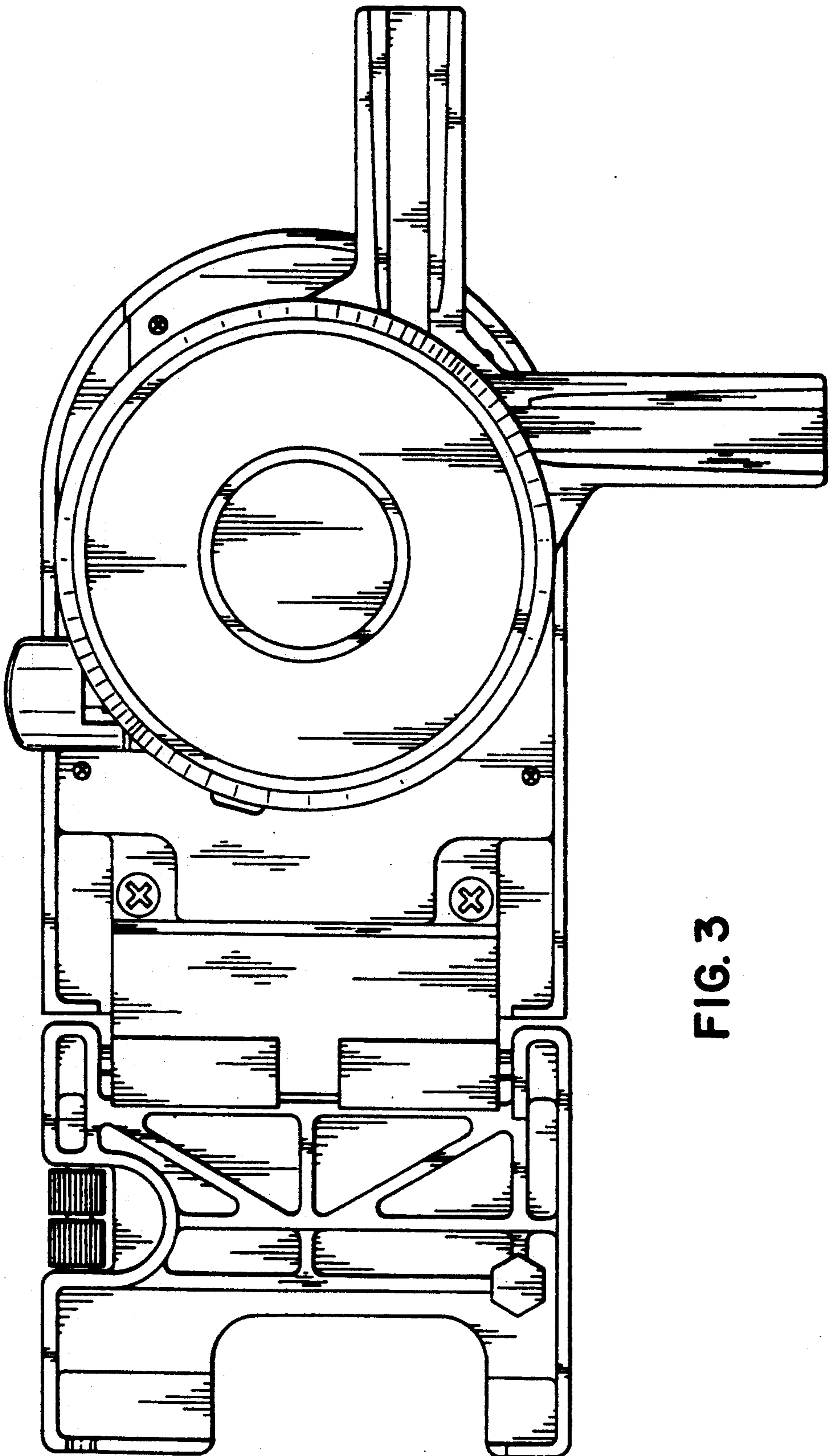


FIG. 3

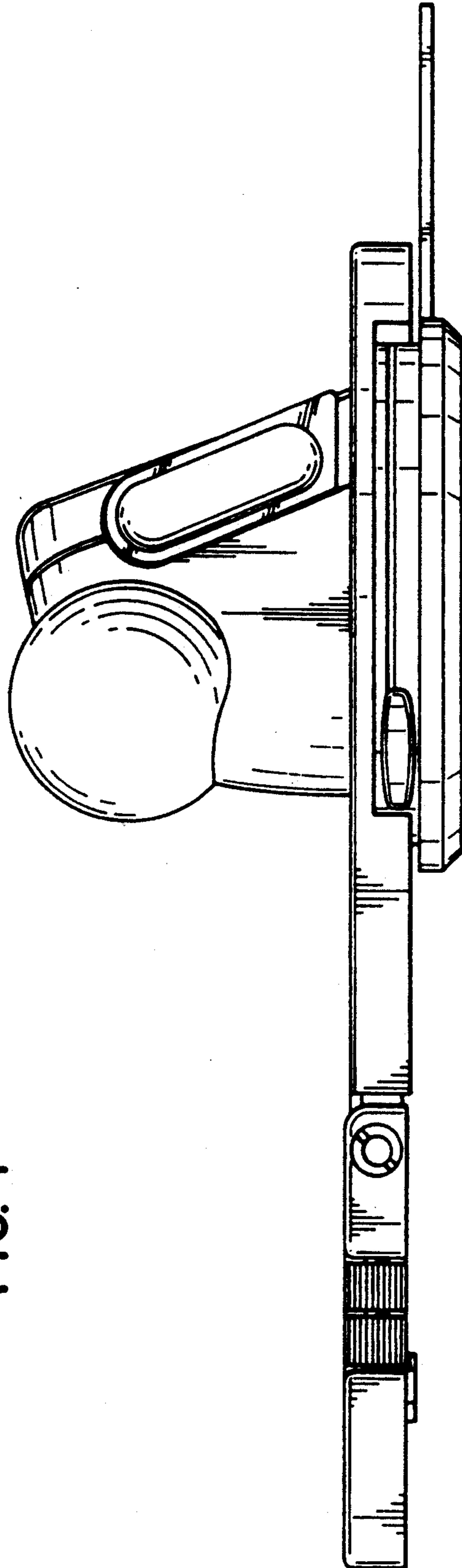


FIG. 4

FIG. 5

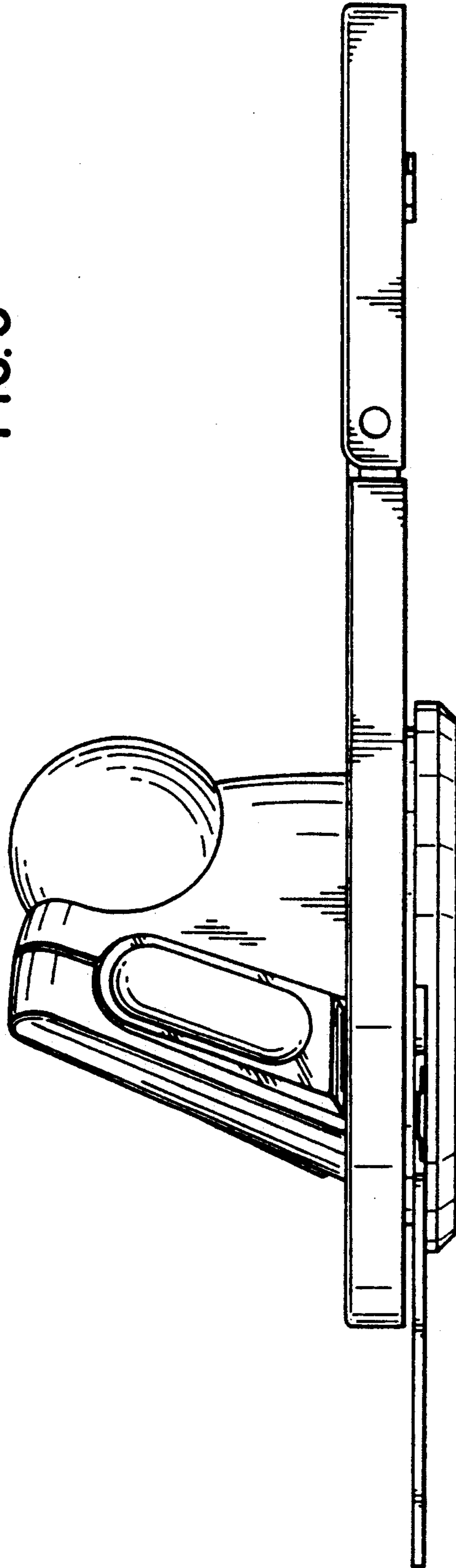


FIG. 7

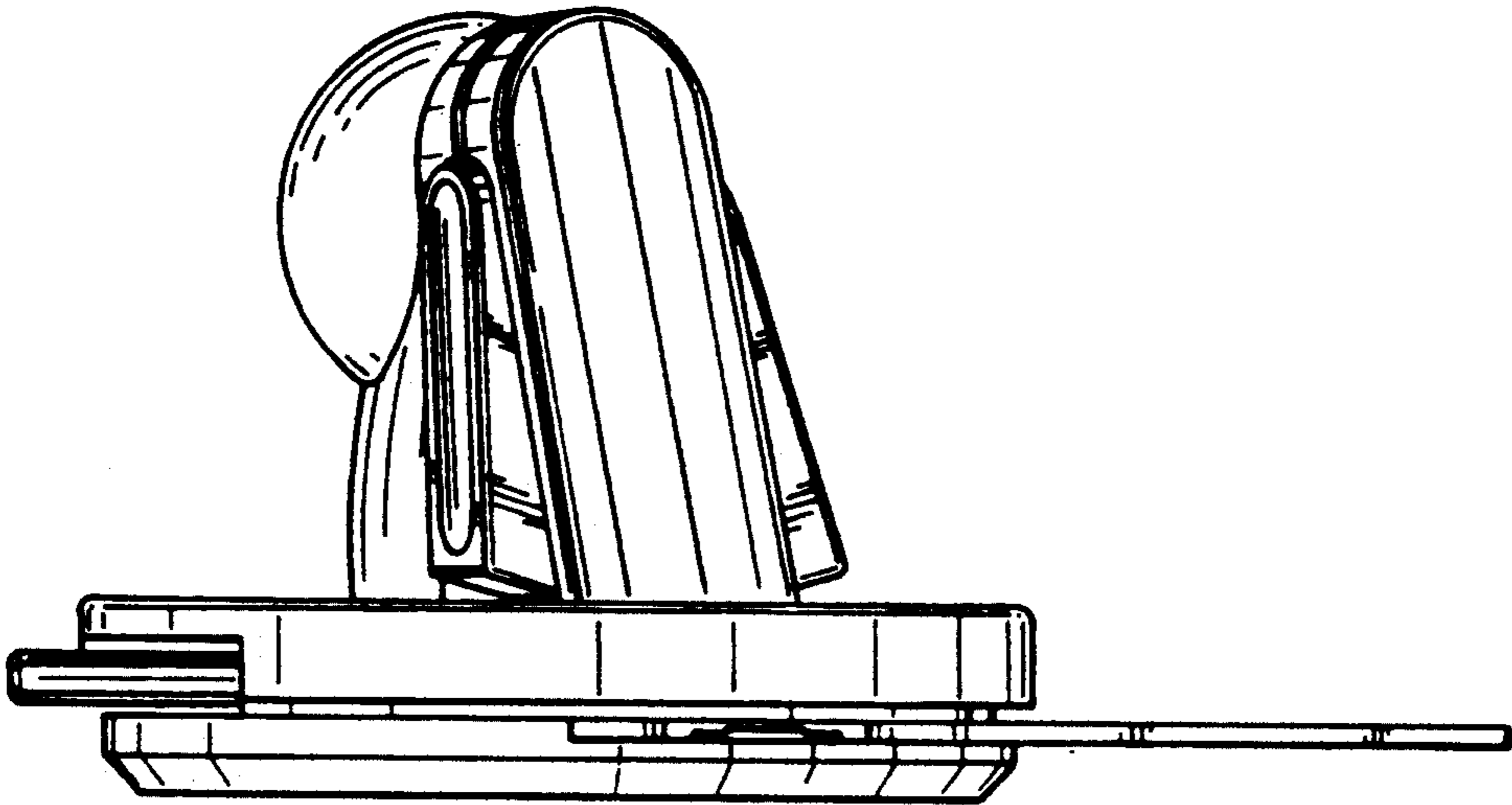


FIG. 6

