



US00D337953S

United States Patent [19]

Verborn et al.

[11] Patent Number: **Des. 337,953**

[45] Date of Patent: **** Aug. 3, 1993**

[54] **TIMER FOR MOBILE TELEPHONES**

[76] Inventors: **Michael Verborn**, 667 Grand Ave.; **David M. Hegg; Deborah Hegg**, both of 473 S. Liberty, all of, Elgin, Ill. 60120; **Edward Martin; Goldie Martin**, both of 20215 Telegraph St., Marengo, Ill. 60152

[**] Term: **14 Years**

[21] Appl. No.: **751,251**

[22] Filed: **Aug. 26, 1991**

[52] U.S. Cl. **D10/40; D10/30**

[58] Field of Search **D10/1-40, D10/122-132; 368/107-121, 385**

[56] **References Cited**

U.S. PATENT DOCUMENTS

D. 252,498	7/1979	Terada	D10/15
3,882,670	5/1975	Wooley	368/89 X
4,075,829	2/1978	Goff	368/110 X

Primary Examiner—Nelson C. Holtje
Attorney, Agent, or Firm—Richard C. Litman

[57] **CLAIM**

The ornamental design for a timer for mobile telephones, as shown and described.

DESCRIPTION

FIG. 1 is a front, side and top perspective view in reduced scale of a timer for mobile telephones showing my new design, the portion of the figure shown in broken lines representing an automobile interior and forming no part of the claimed design;

FIG. 2 is a front, top and right side perspective view thereof in an enlarged scale, the characters shown in broken lines representing a digital display and forming no part of the claimed design;

FIG. 3 is a rear elevational view thereof;

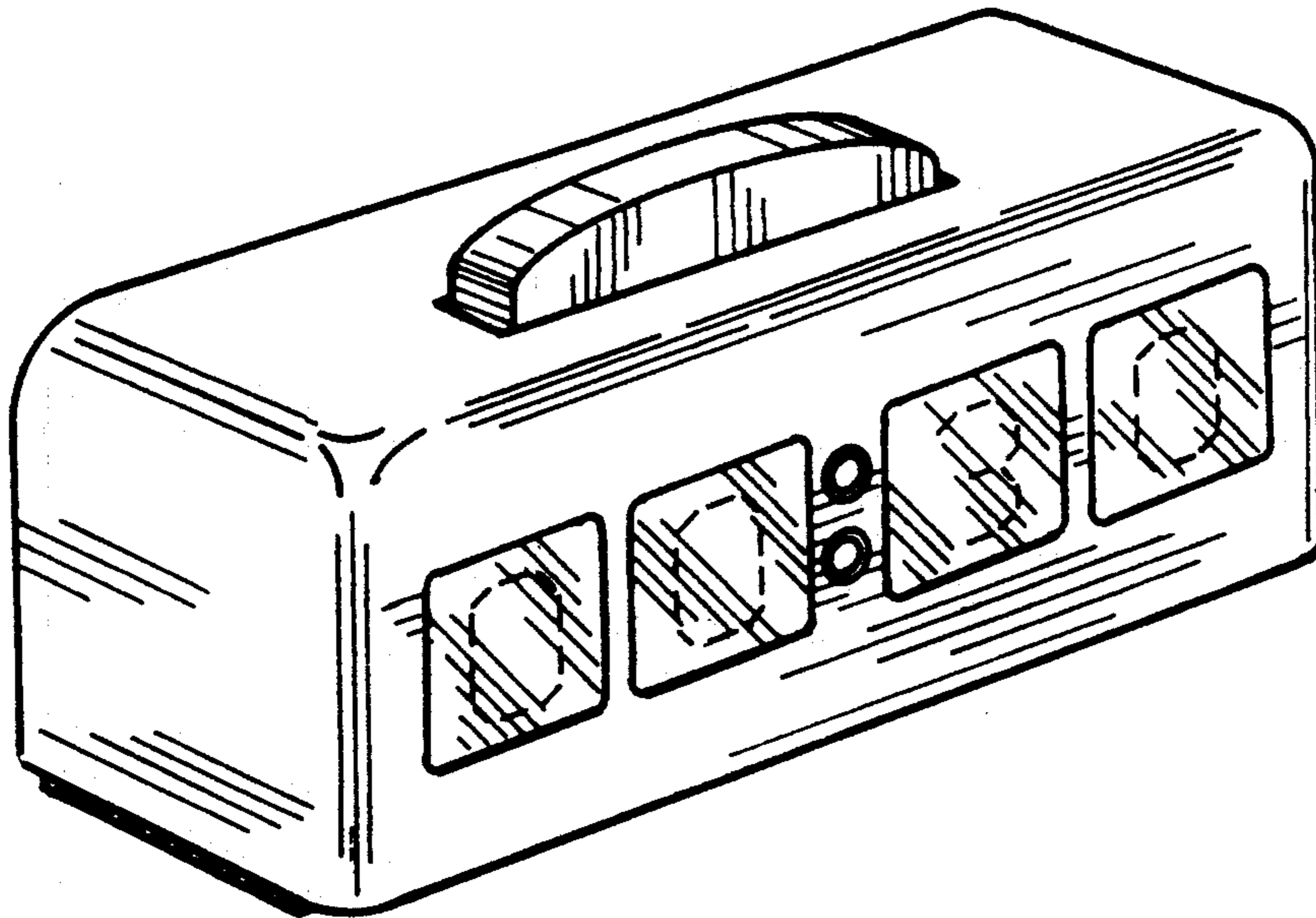
FIG. 4 is a front elevational view thereof;

FIG. 5 is a left end elevational view thereof;

FIG. 6 is a right end elevational view thereof;

FIG. 7 is a top plan view thereof; and,

FIG. 8 is a bottom plan view thereof.



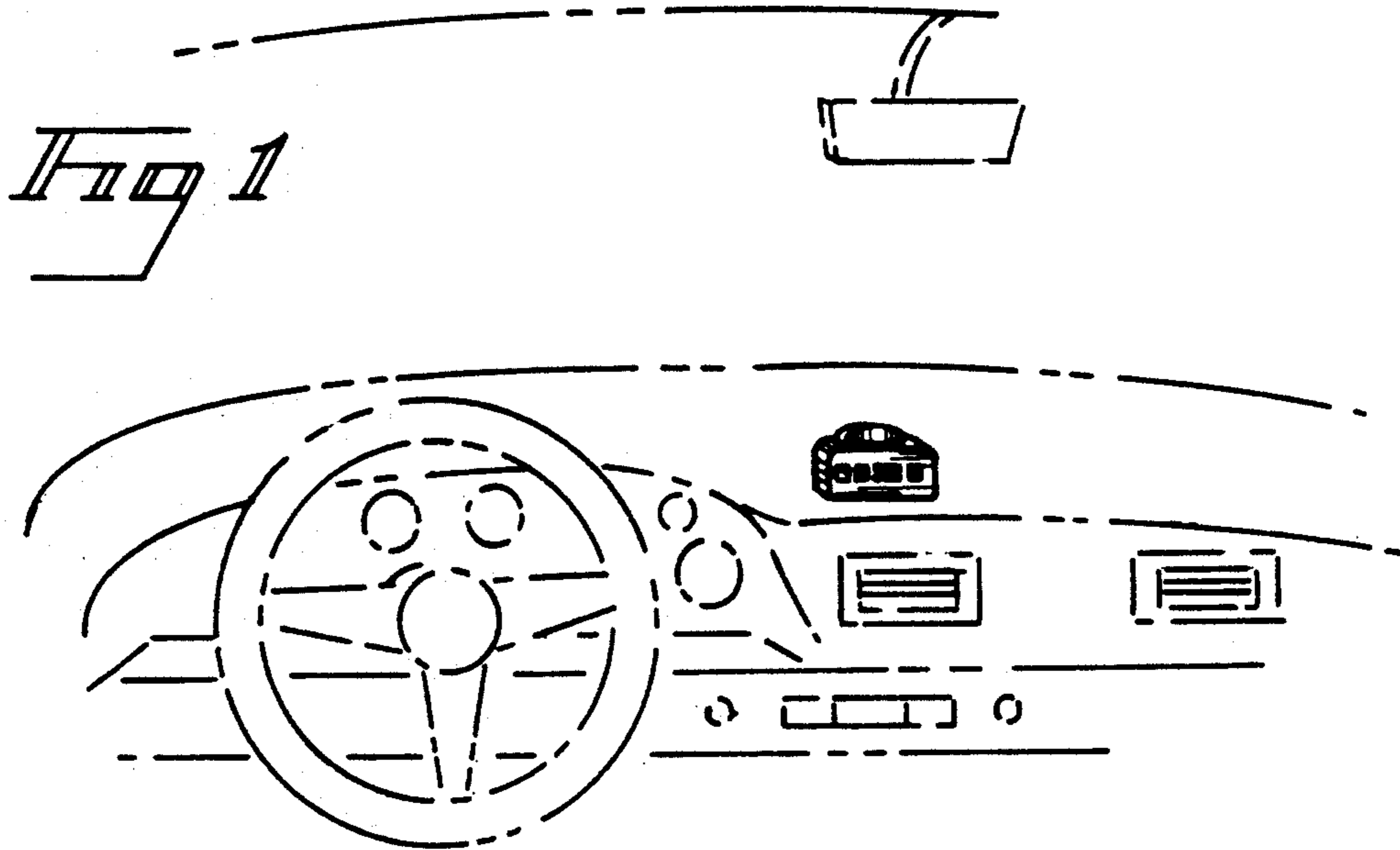


Fig 1

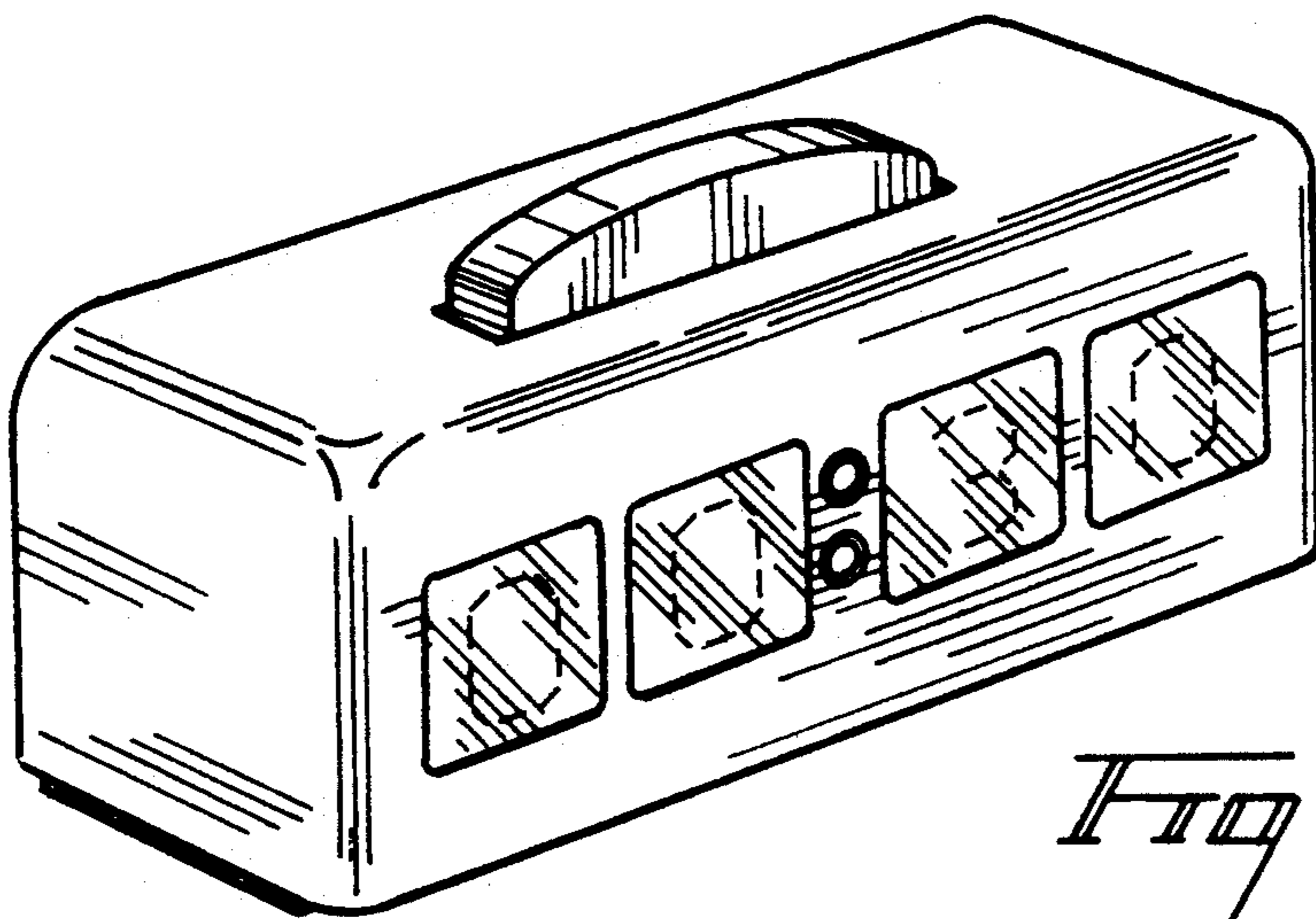


Fig 2

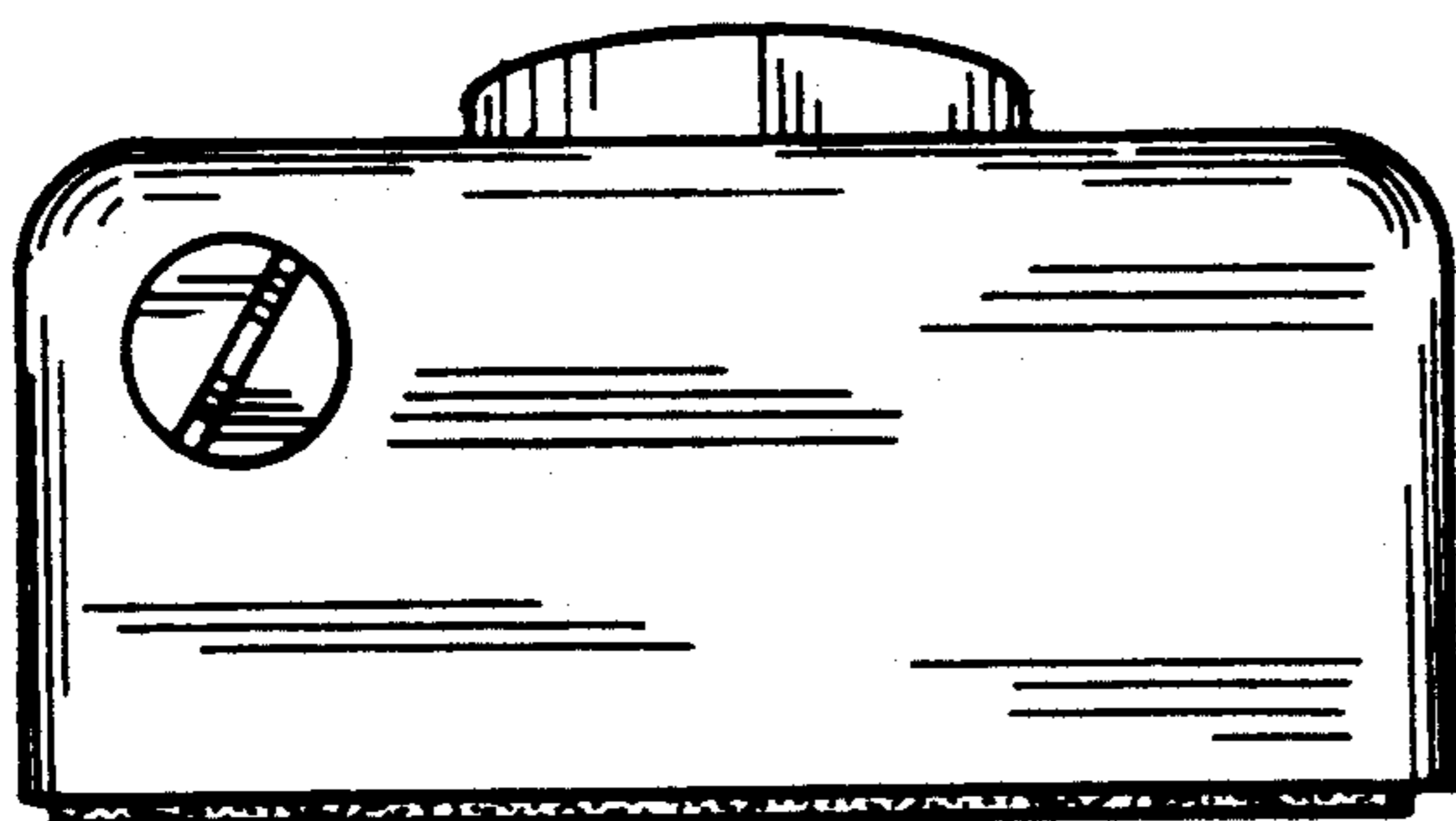


Fig 3

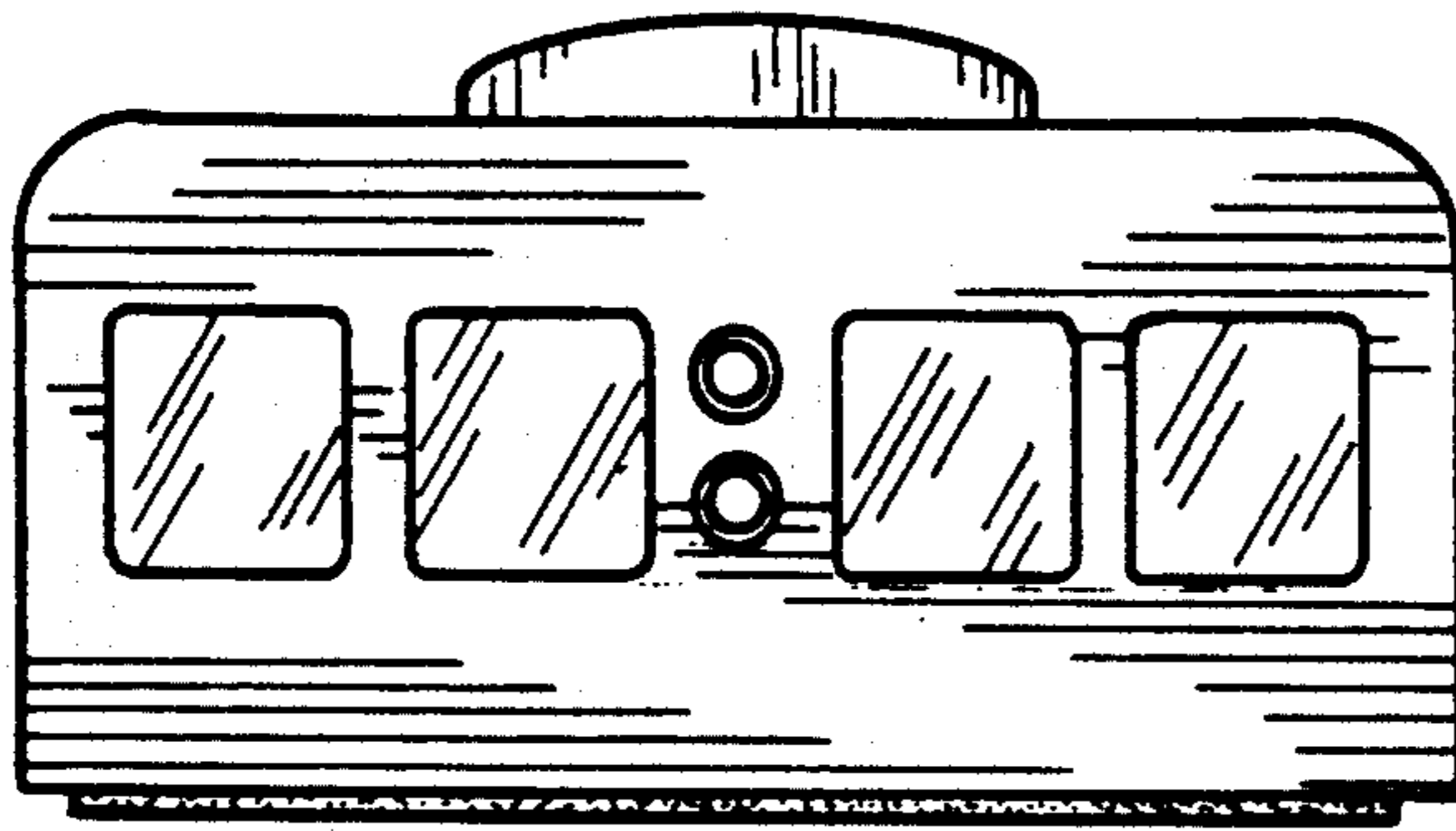


Fig 4

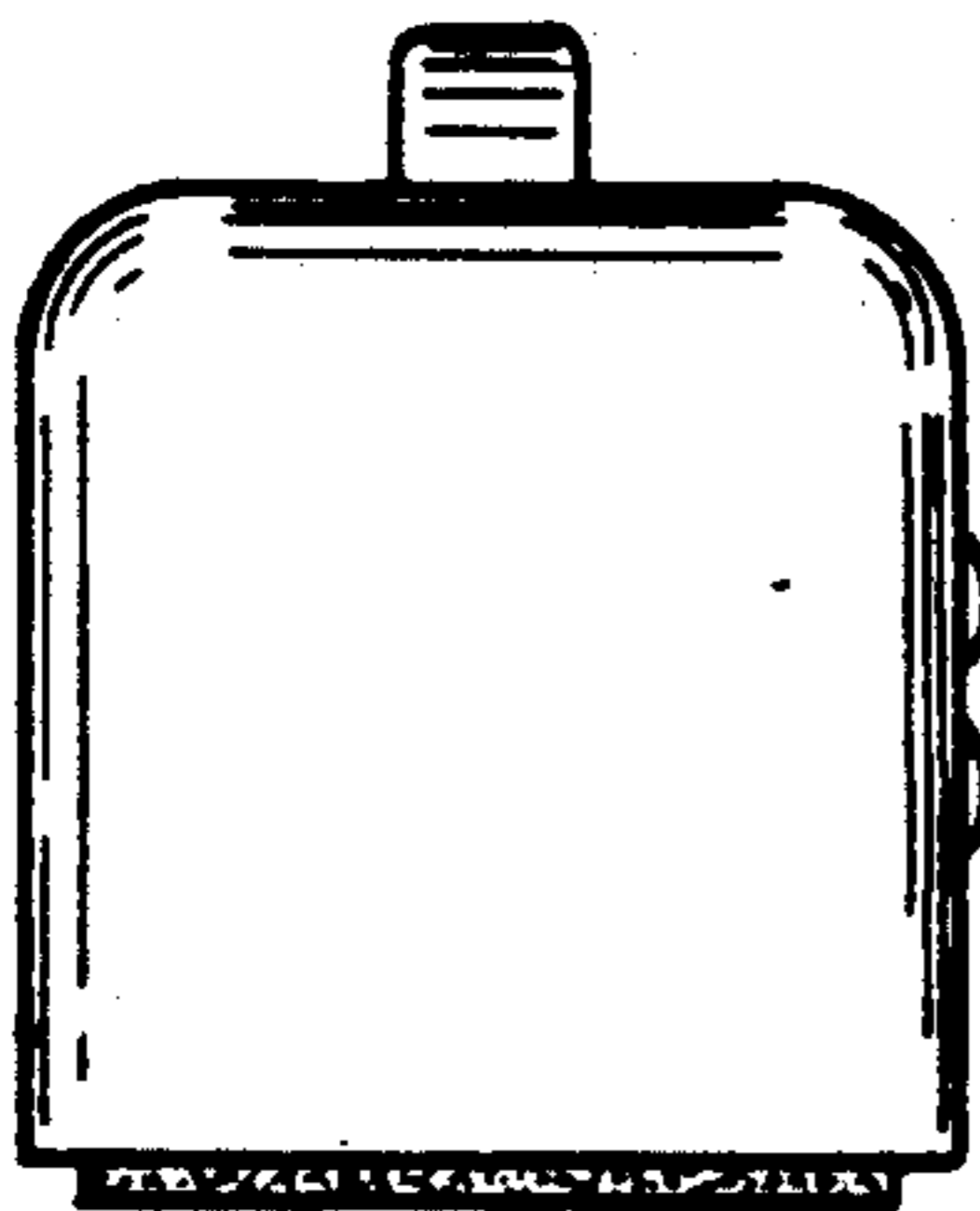


Fig 6

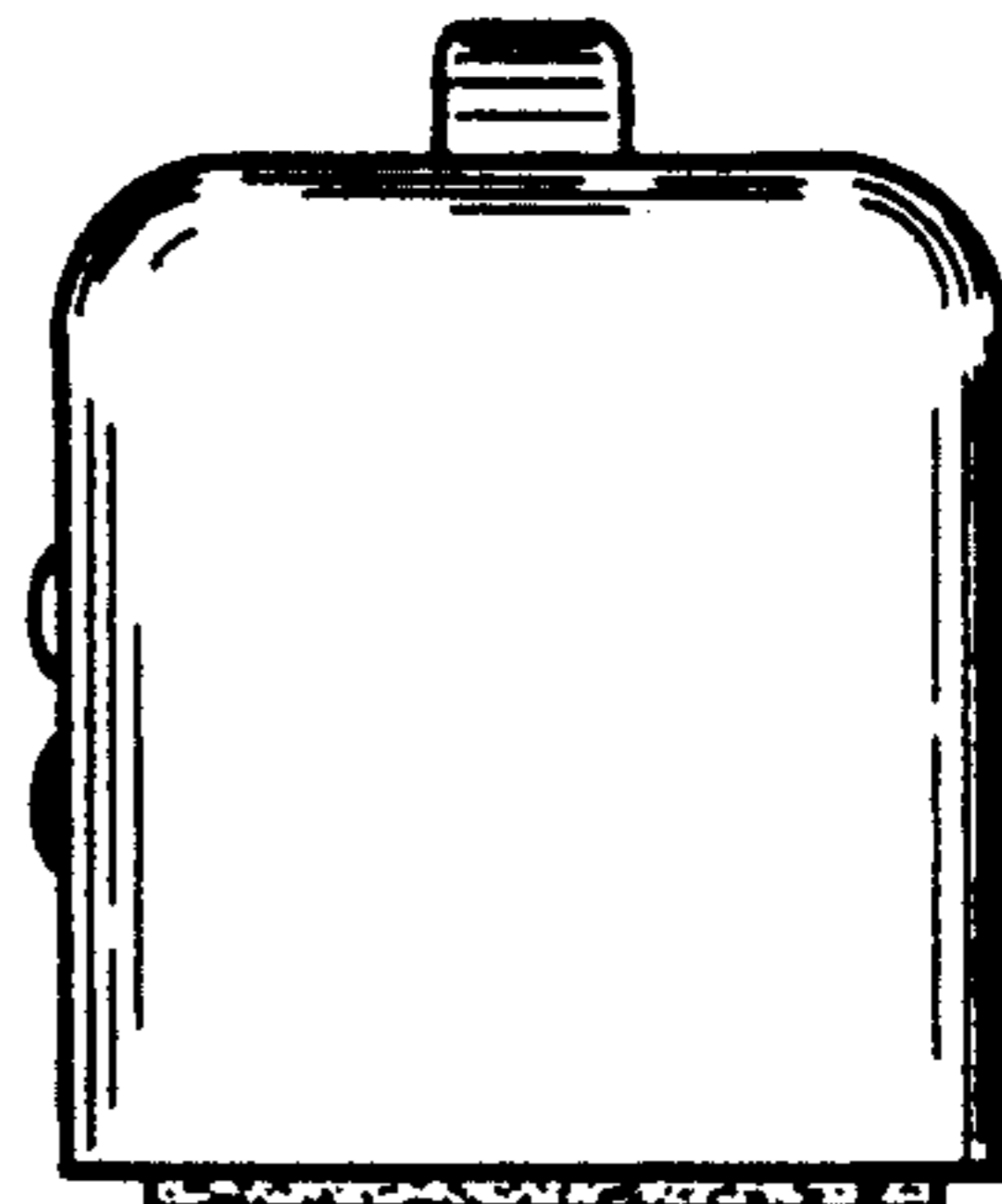


Fig 5

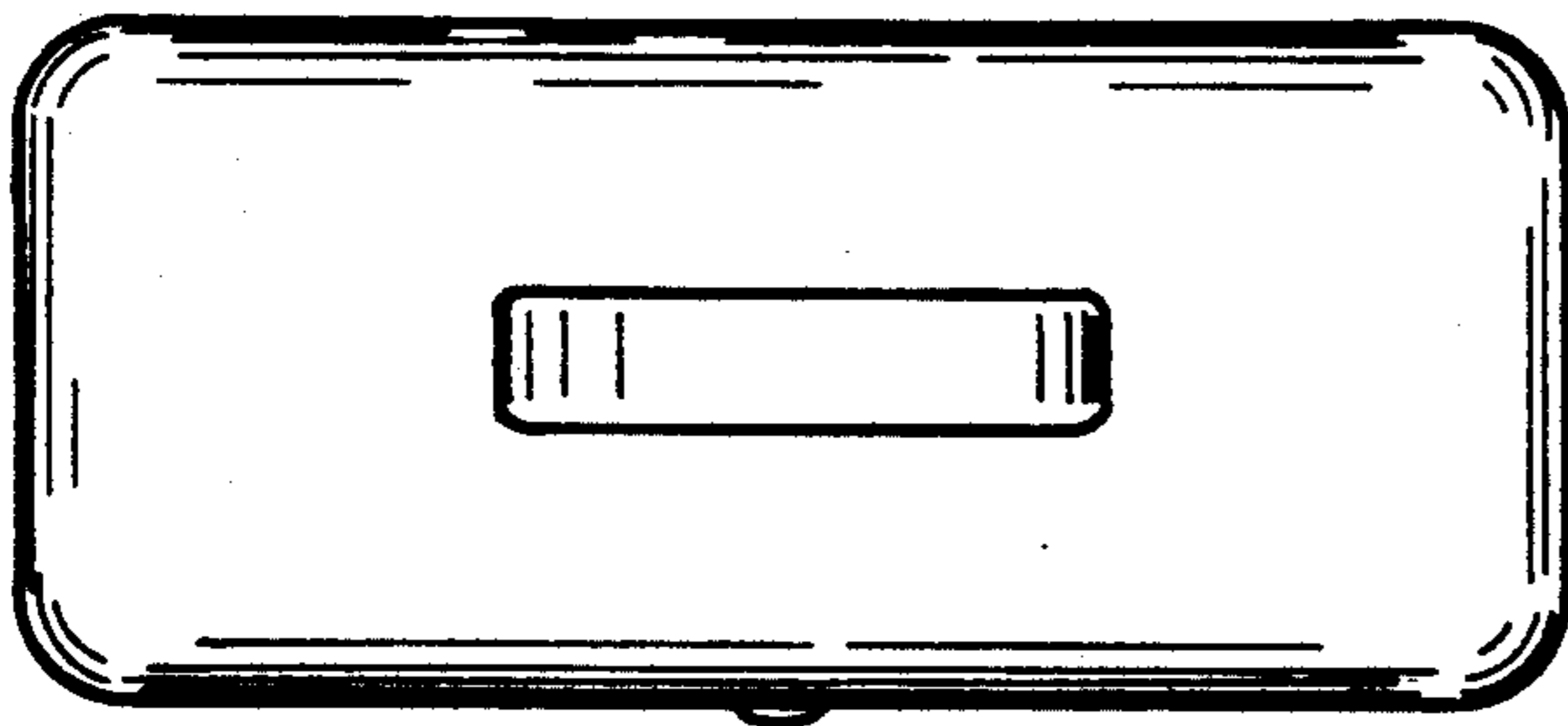


Fig 7

Fig 8

