



US00D337949S

# United States Patent [19]

[11] Patent Number: **Des. 337,949**

Tjaardstra

[45] Date of Patent: **\*\* Aug. 3, 1993**

[54] **ALARM CLOCK**

[75] Inventor: **Pieter Tjaardstra, Nieu Vennep, Netherlands**

[73] Assignee: **Consolidated Manufacturers and Designers, Nieuw Vennep, Netherlands**

[\*\*] Term: **14 Years**

[21] Appl. No.: **689,614**

[22] Filed: **Apr. 23, 1991**

[52] U.S. Cl. .... **D10/12; D10/6**

[58] Field of Search ..... **D10/1-40, D10/122-132; 368/226-227, 288; D19/75**

[56] **References Cited**

**U.S. PATENT DOCUMENTS**

- D. 73,646 10/1927 Dinstman ..... D10/33
- D. 74,736 3/1928 Greengus ..... D10/12

- D. 112,612 12/1938 Marshall ..... D10/12
- D. 122,083 8/1940 Levy ..... D10/12
- D. 122,168 8/1940 Houston ..... D10/12
- D. 303,474 7/1990 Muicai ..... D10/75
- D. 323,468 1/1992 Peersmann ..... D10/11

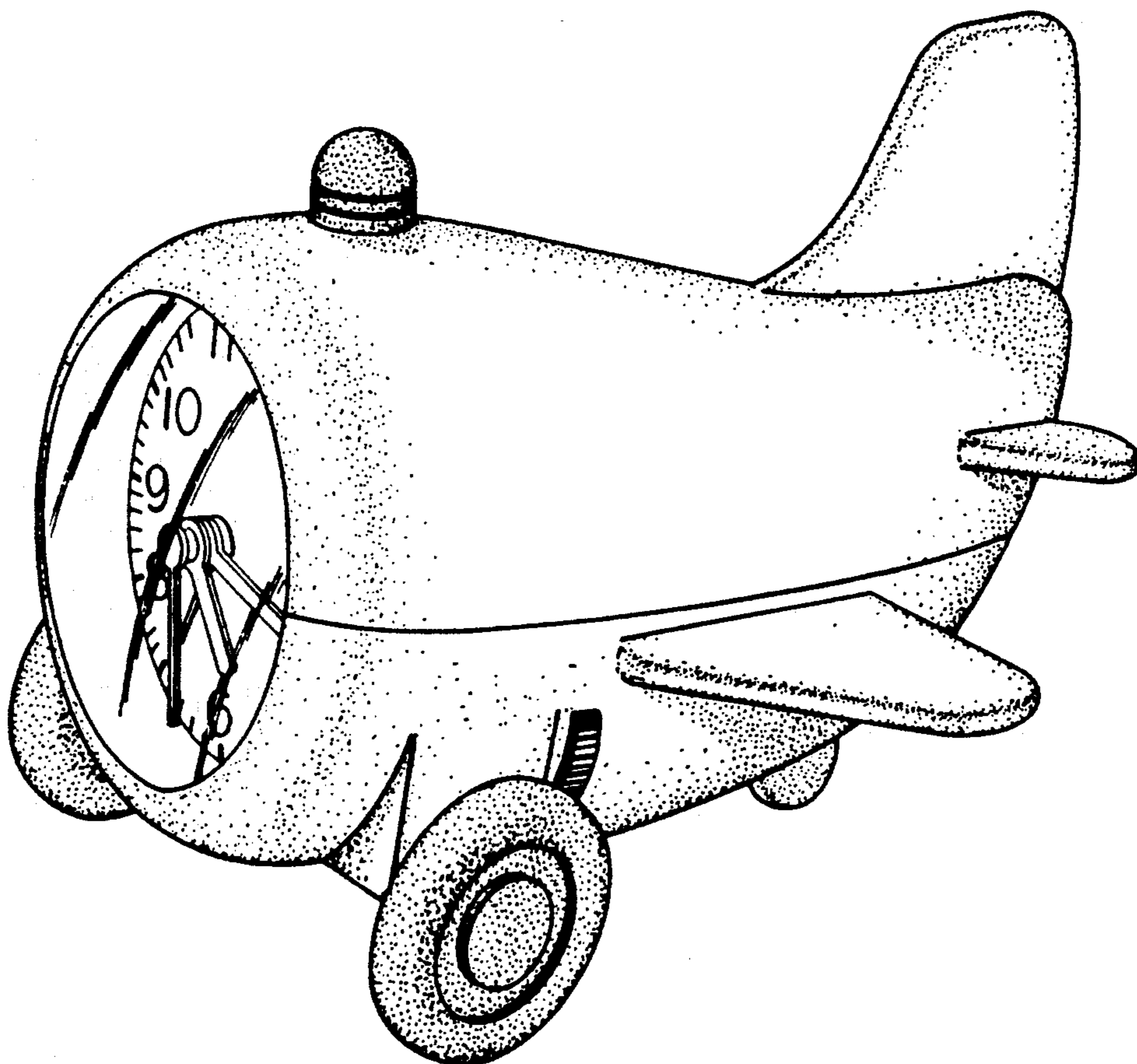
*Primary Examiner*—Nelson C. Holtje  
*Attorney, Agent, or Firm*—Mason, Fenwick & Lawrence

[57] **CLAIM**

The ornamental design for an alarm clock, as shown.

**DESCRIPTION**

FIG. 1 is a perspective view from the front and left side of a alarm clock showing my new design;  
 FIG. 2 is a left side view thereof;  
 FIG. 3 is a front view thereof;  
 FIG. 4 is a rear view thereof;  
 FIG. 5 is a right side view thereof;  
 FIG. 6 is a top view thereof; and,  
 FIG. 7 is a bottom view thereof.



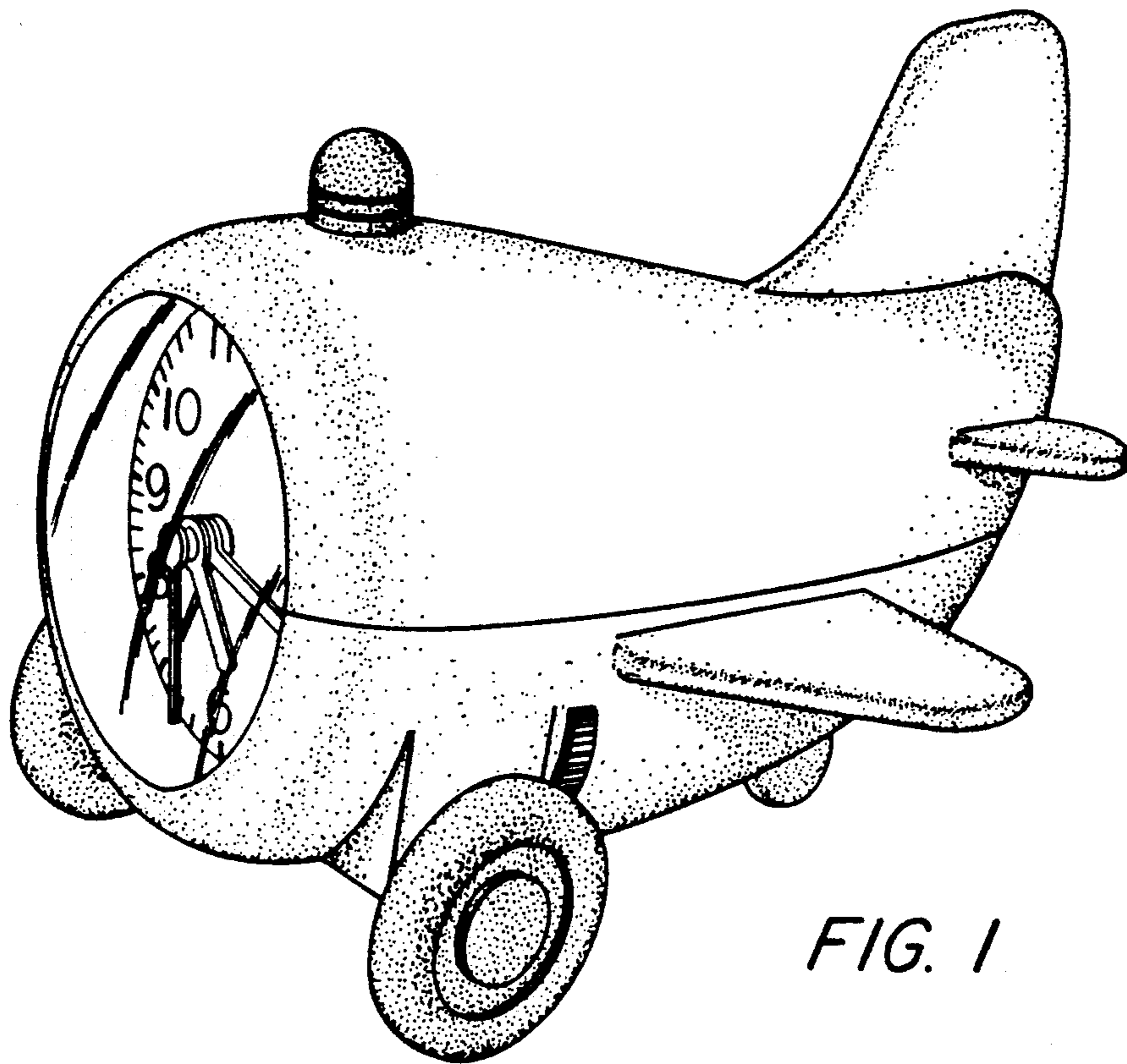


FIG. 1

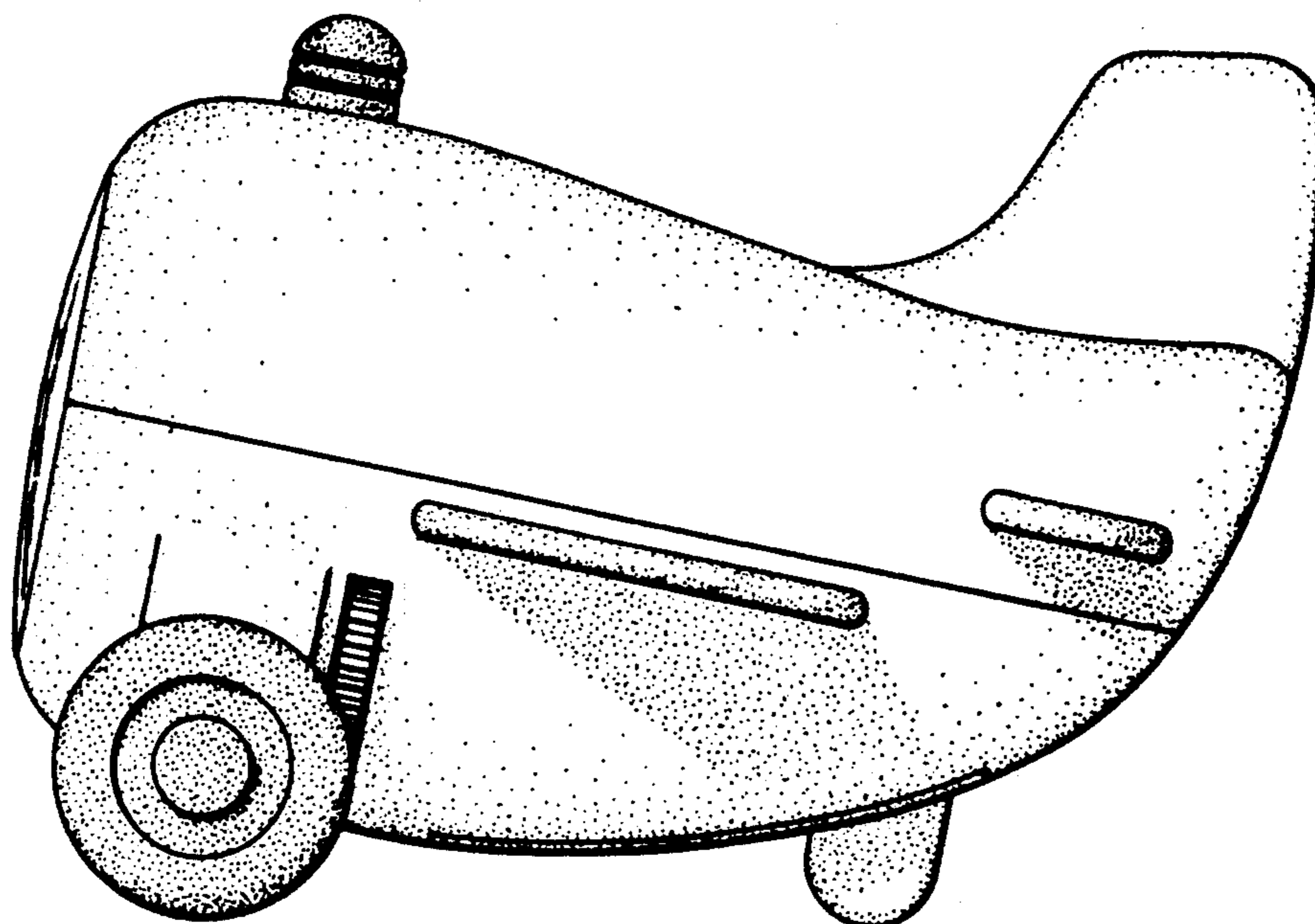


FIG. 2

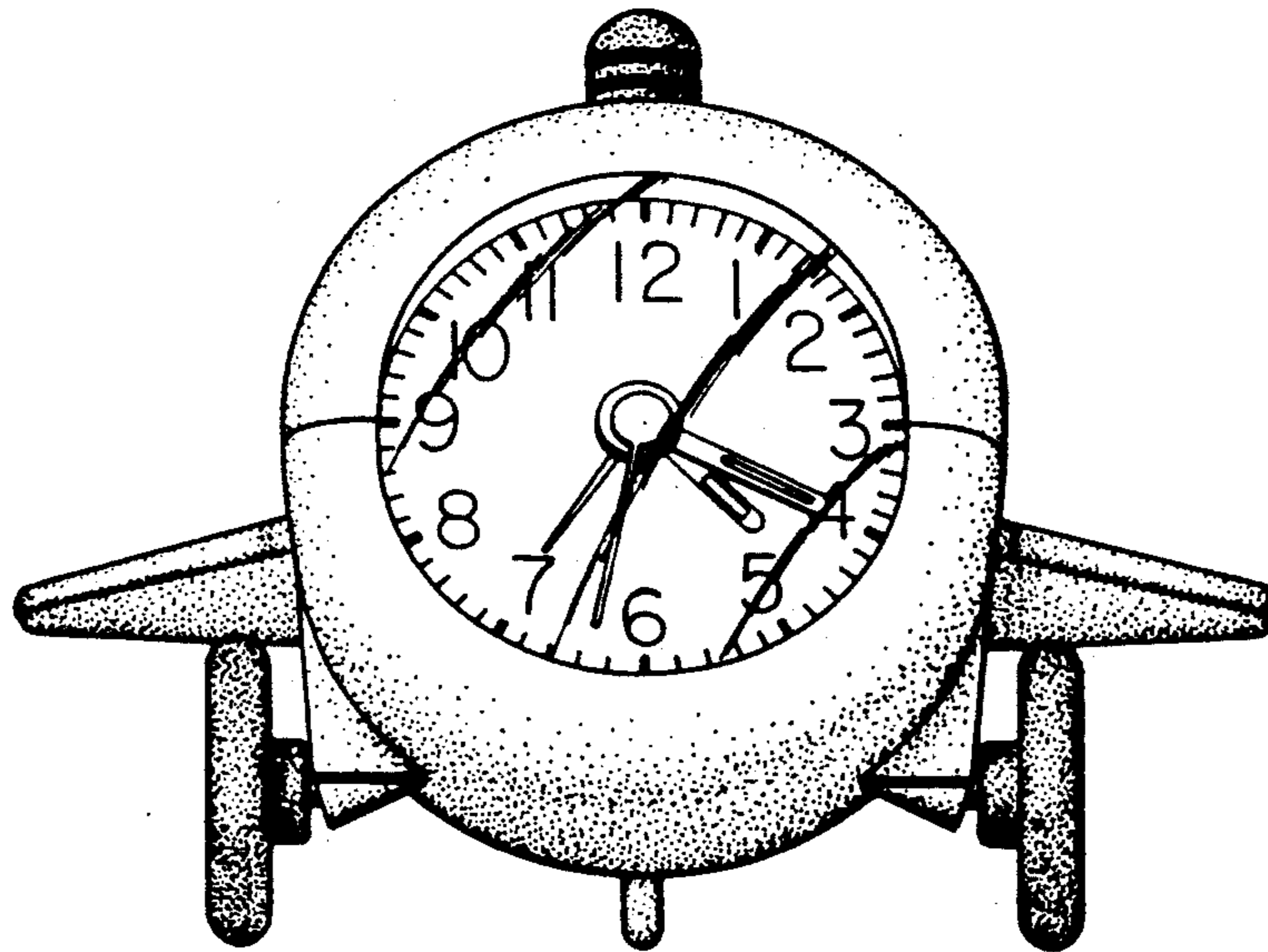


FIG. 3

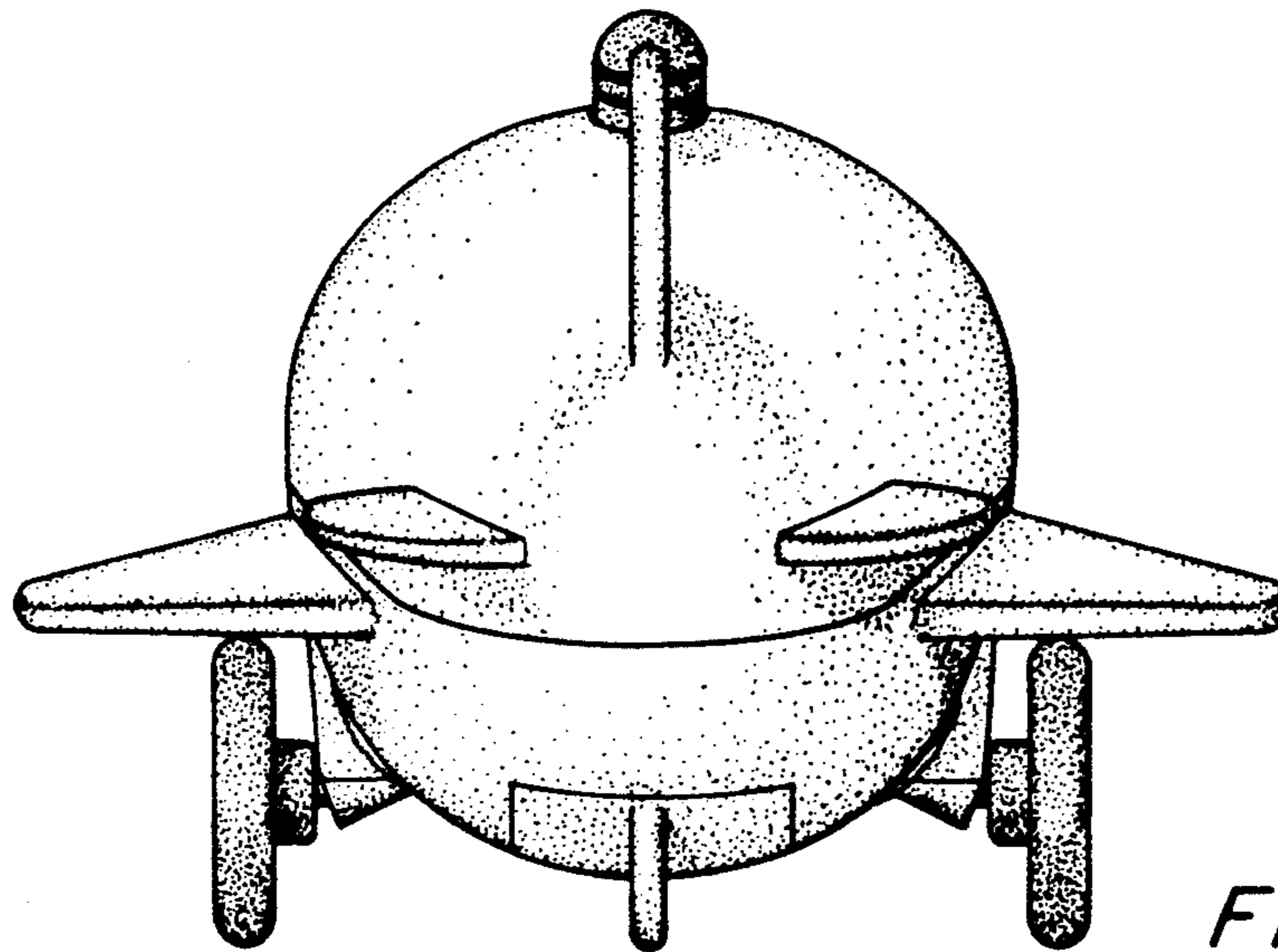


FIG. 4

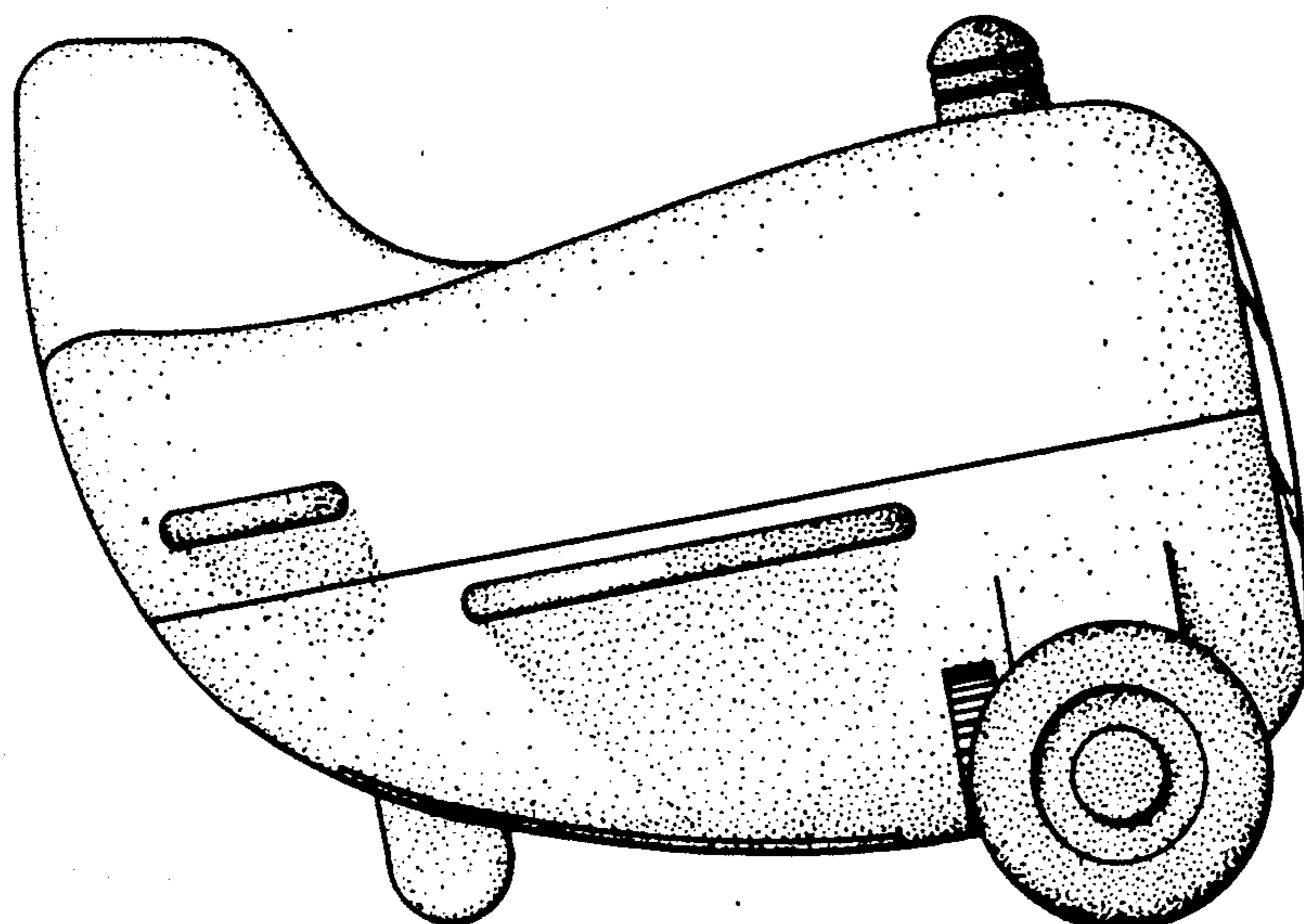


FIG. 5

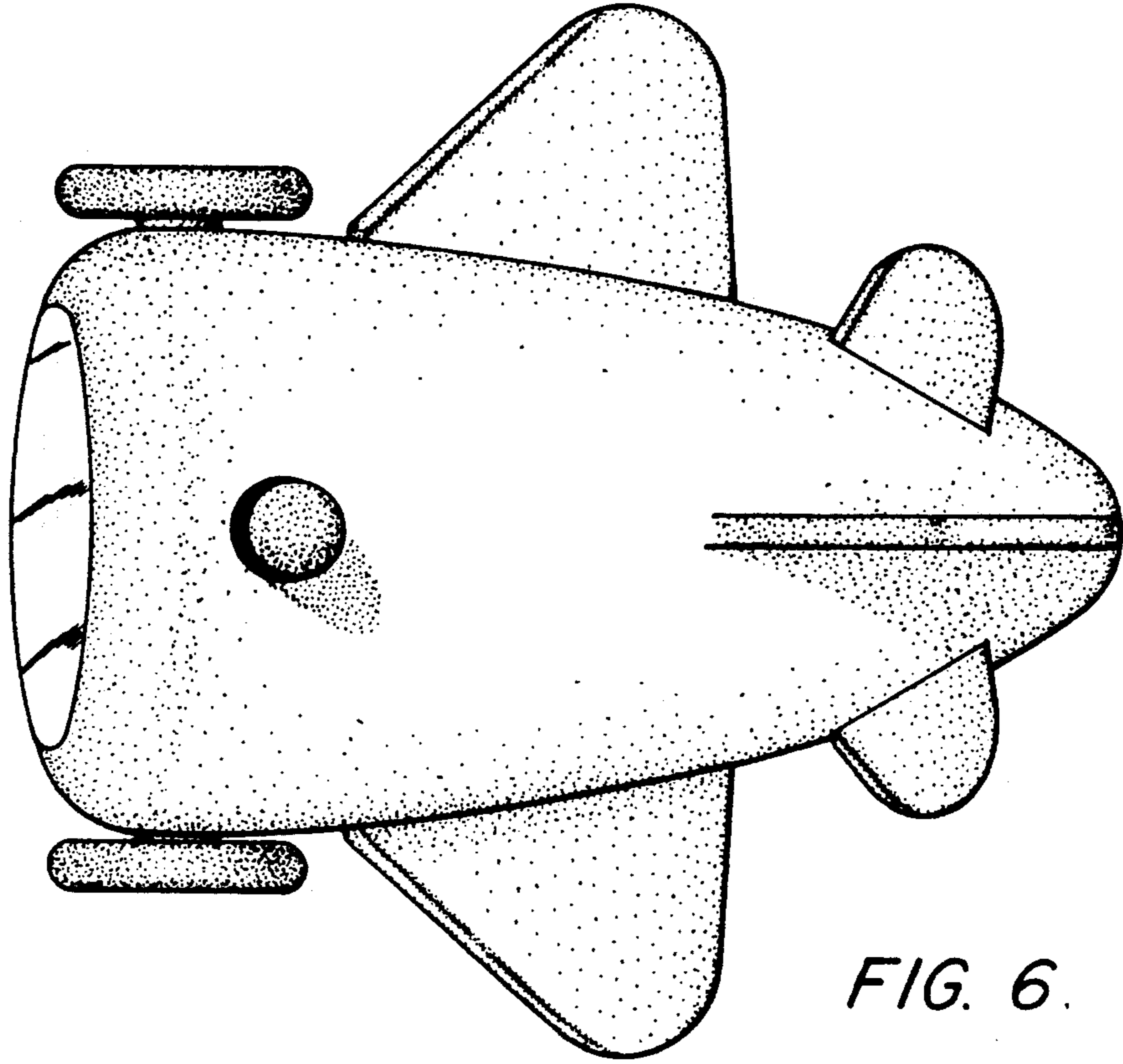


FIG. 6.

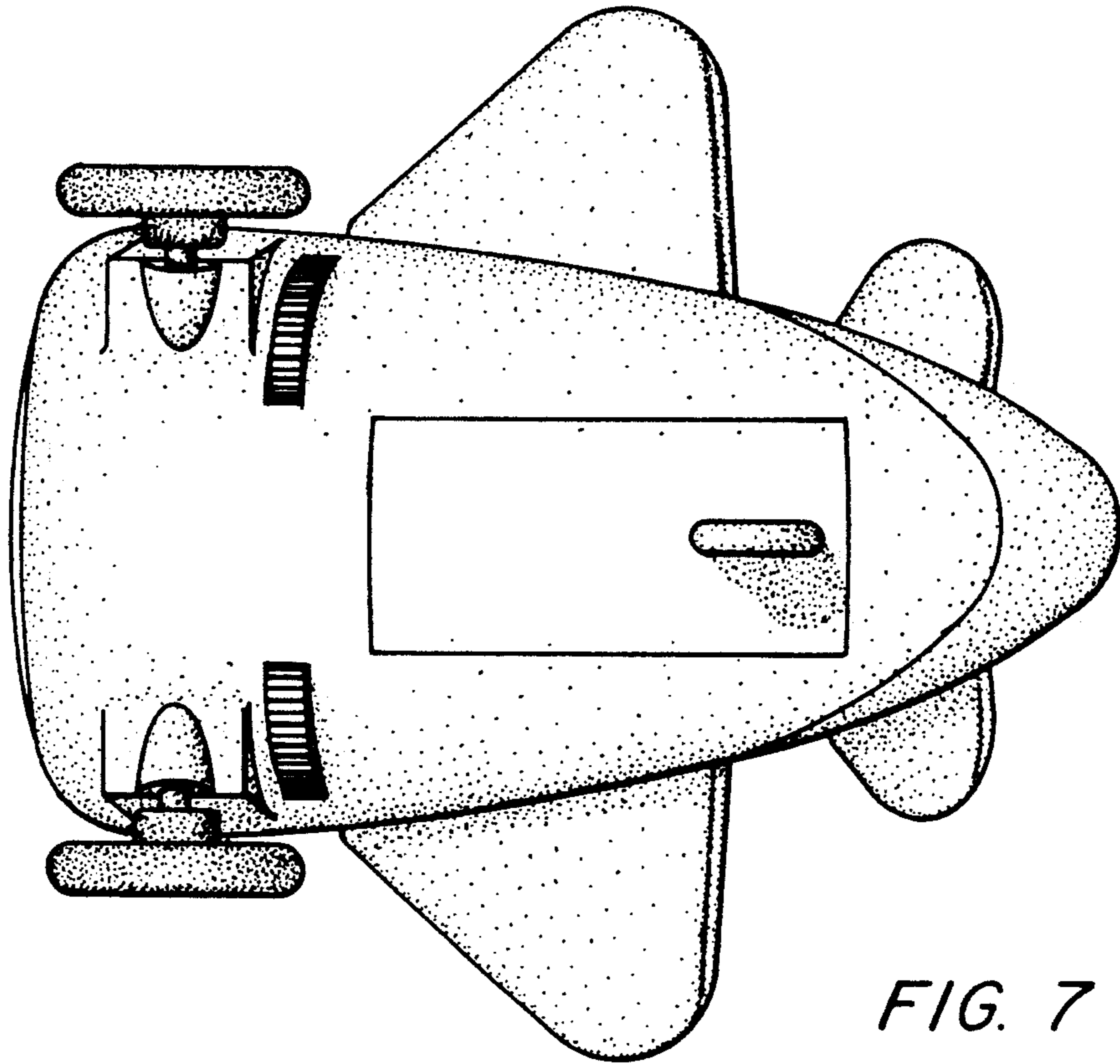


FIG. 7