



US00D337938S

United States Patent [19]

Shaw et al.

[11] Patent Number: **Des. 337,938**

[45] Date of Patent: **** Aug. 3, 1993**

[54] **BRACKET FOR A PLANTER BOX**

[76] Inventors: **Donald Shaw**, 35 Bayview Ridge, Toronto, Ontario, Canada, M2L 1E3; **Carman Buonito**, 200 Church Street, Markham, Ontario, Canada, L3P 2M7

[**] Term: **14 Years**

[21] Appl. No.: **582,031**

[22] Filed: **Sep. 14, 1990**

[30] **Foreign Application Priority Data**

Mar. 16, 1990 [CA] Canada 1603908

[52] U.S. Cl. **D8/380**

[58] Field of Search D11/156; D8/372, 362, D8/380; D6/556, 558, 572; 248/214, 215, 208, 241, 297.3, 295.1, 287; 47/68

[56] **References Cited**

U.S. PATENT DOCUMENTS

- D. 216,158 11/1969 Williams D8/363 X
- D. 238,049 12/1975 Hertzell D8/380
- D. 261,744 4/1981 Boyajian D6/556
- D. 307,877 5/1990 White, Jr. D11/156

- D. 310,018 8/1990 Landrum D8/372 X
- 2,588,596 3/1952 Weber D6/558 X
- 3,772,827 1/1973 Ware D6/558 X
- 4,048,754 9/1977 Laux 47/68
- 4,559,738 12/1985 Helfman 47/66
- 4,944,434 7/1990 Hamilton 248/214 X
- 4,949,924 8/1990 Carmody 248/215

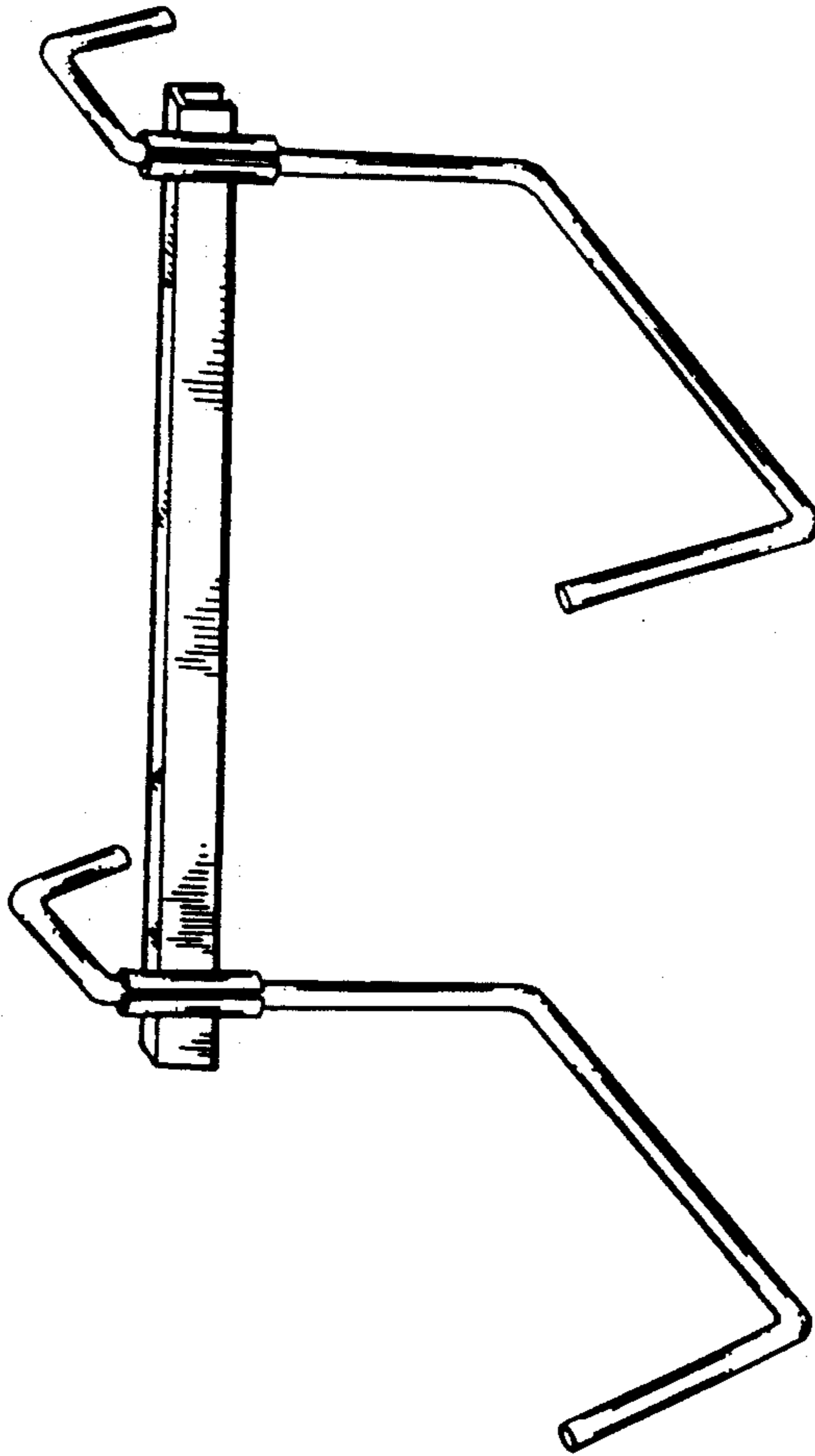
Primary Examiner—Susan J. Lucas
Attorney, Agent, or Firm—McFadden, Fincham, Marcus & Anissimoff

[57] **CLAIM**

The ornamental design for a bracket for a planter box, as shown.

DESCRIPTION

FIG. 1 is a front elevational view of a bracket for a planter box according to the present design; FIG. 2 is a rear elevational view of the bracket of FIG. 1; FIG. 3 is a bottom plan view of the bracket of FIG. 1; FIG. 4 is a top plan view of the bracket of FIG. 1; FIG. 5 is a side elevational view of one side of the bracket of FIG. 1; FIG. 6 is a side elevational view of the other side of the bracket of FIG. 1; and, FIG. 7 is a perspective view of the bracket of FIG. 1.



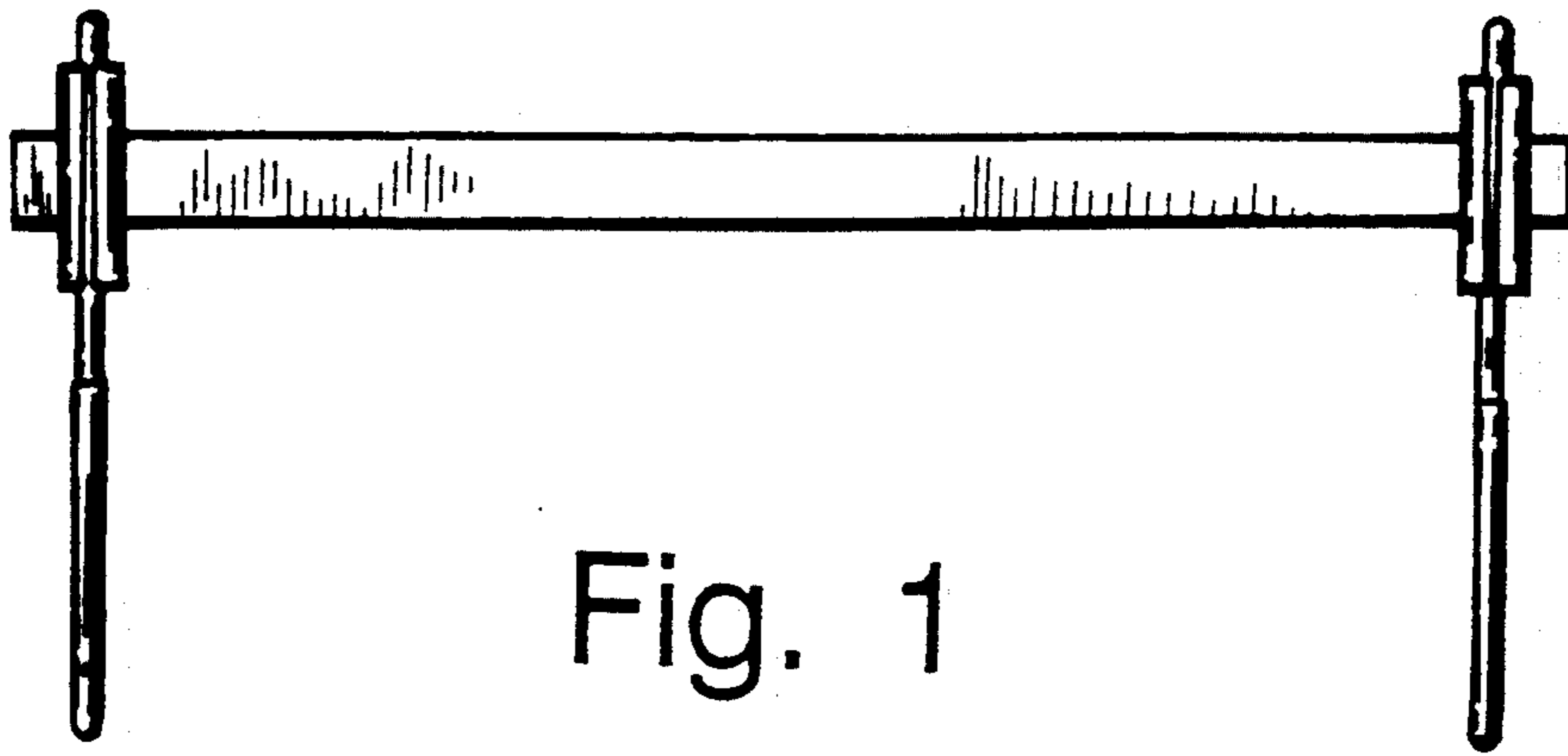


Fig. 1

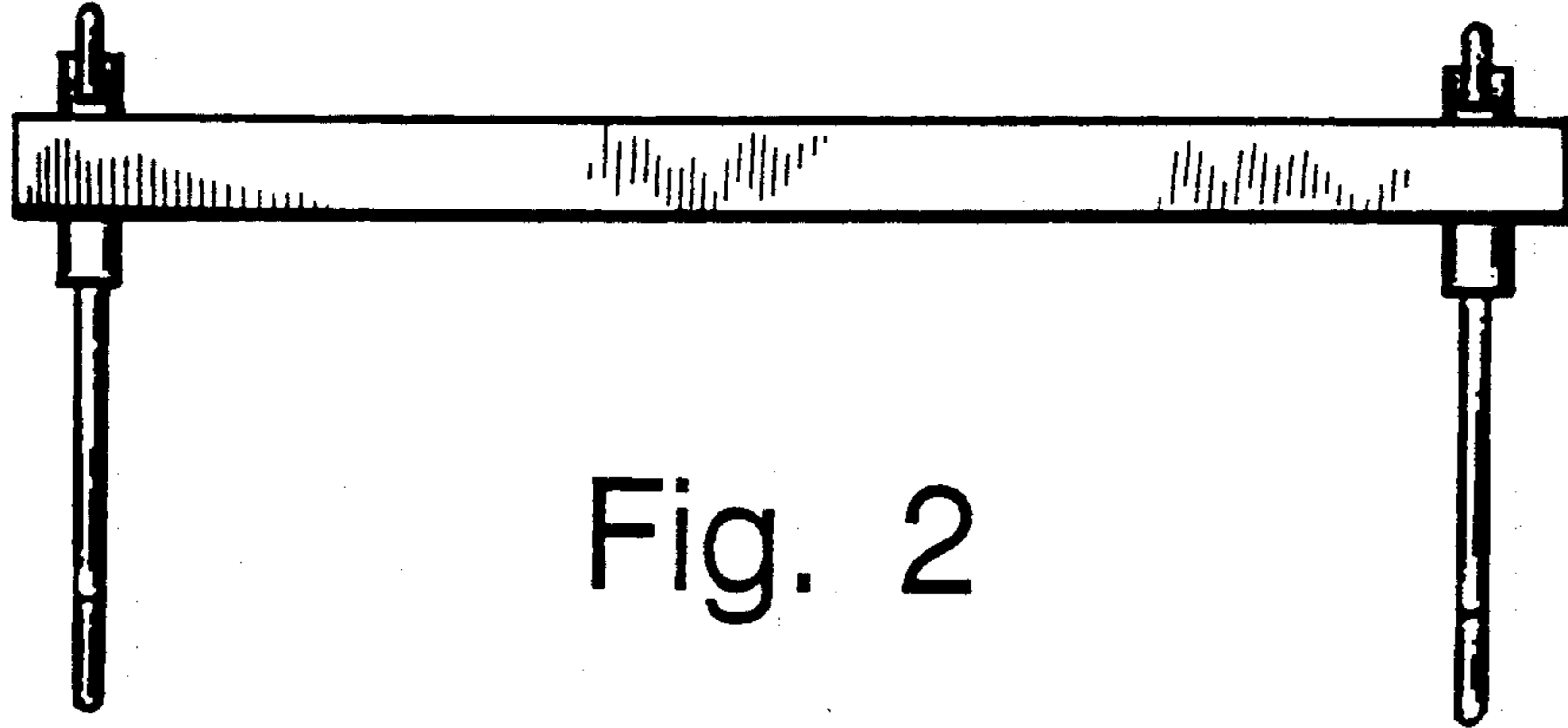


Fig. 2

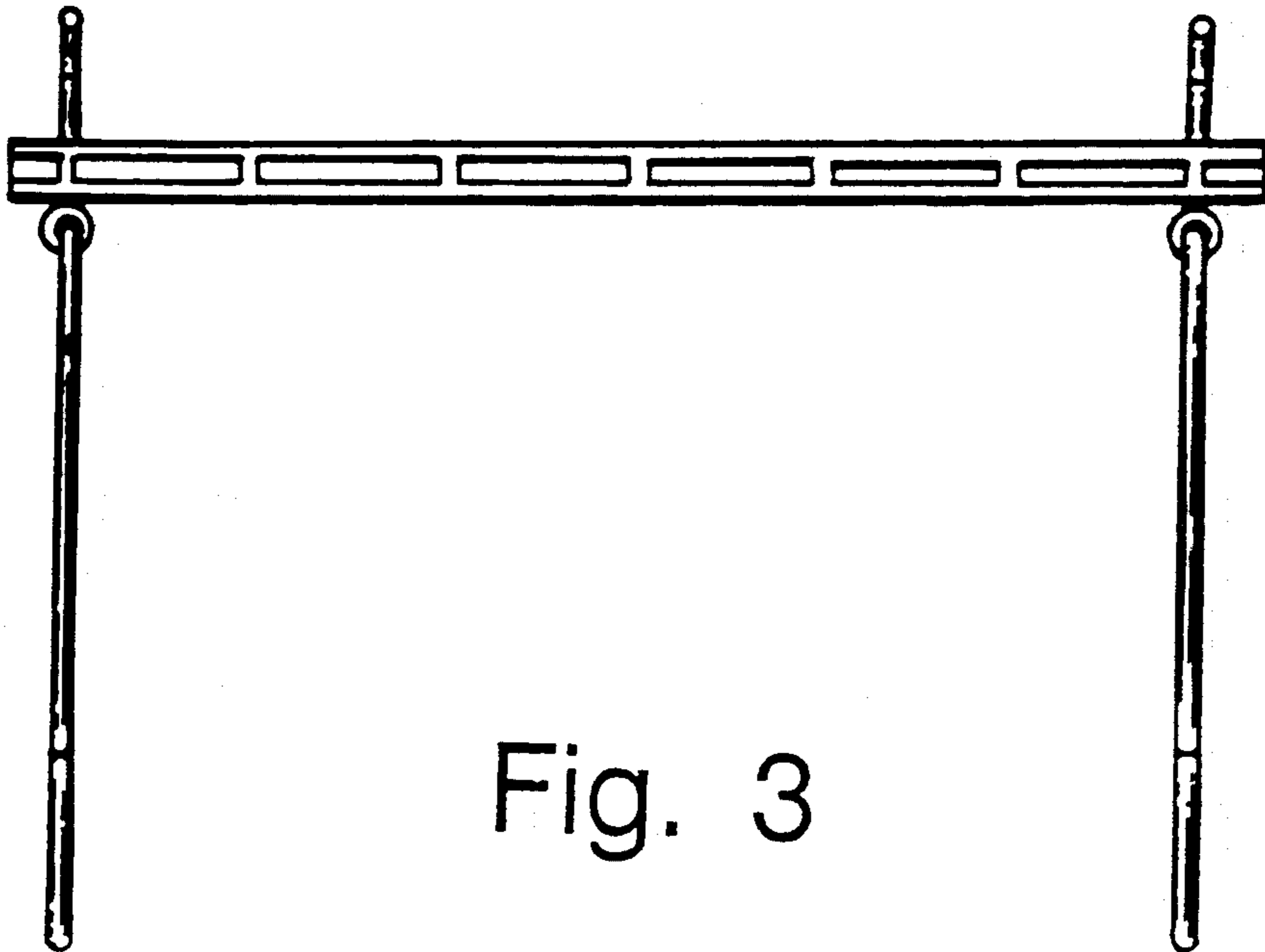


Fig. 3

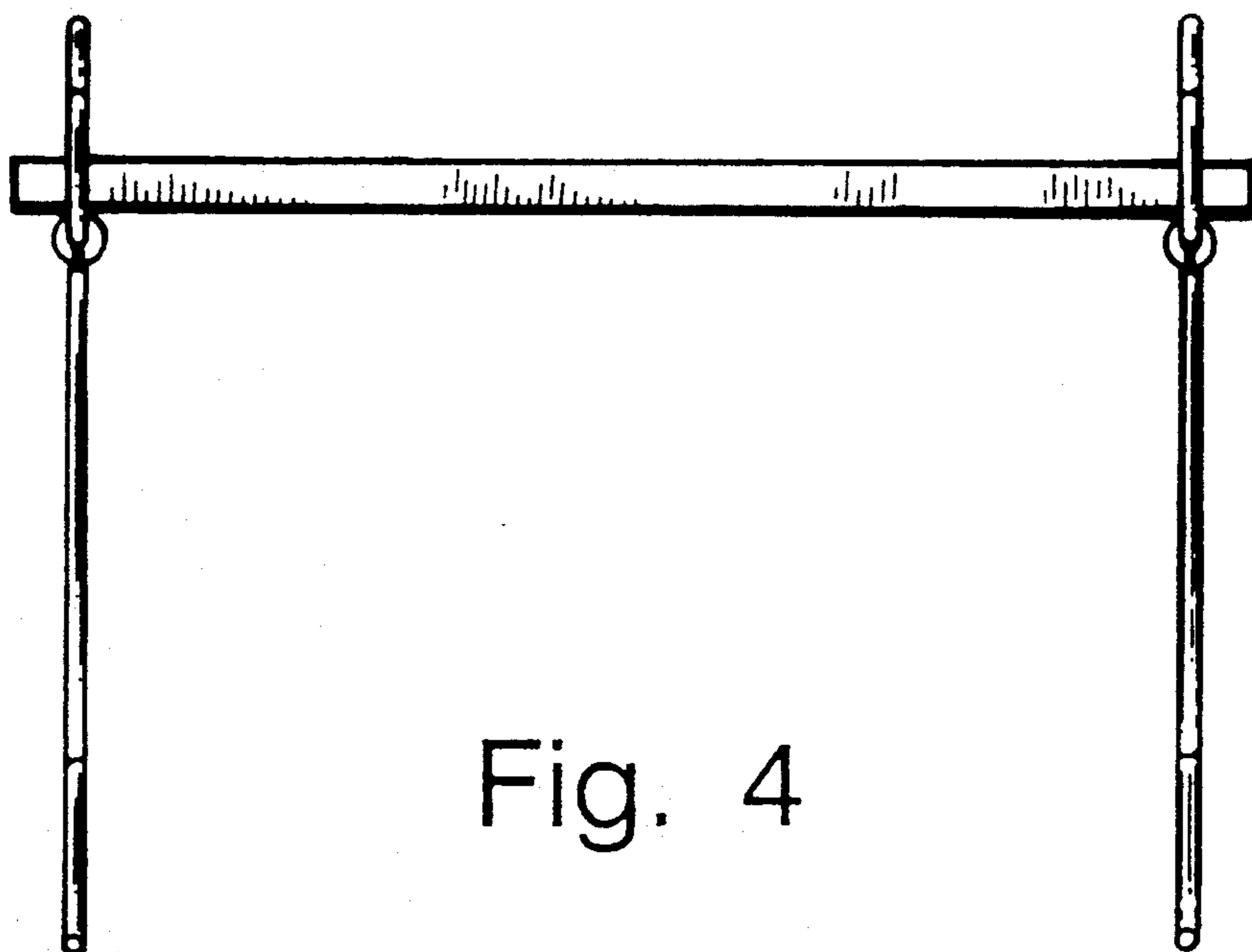


Fig. 4

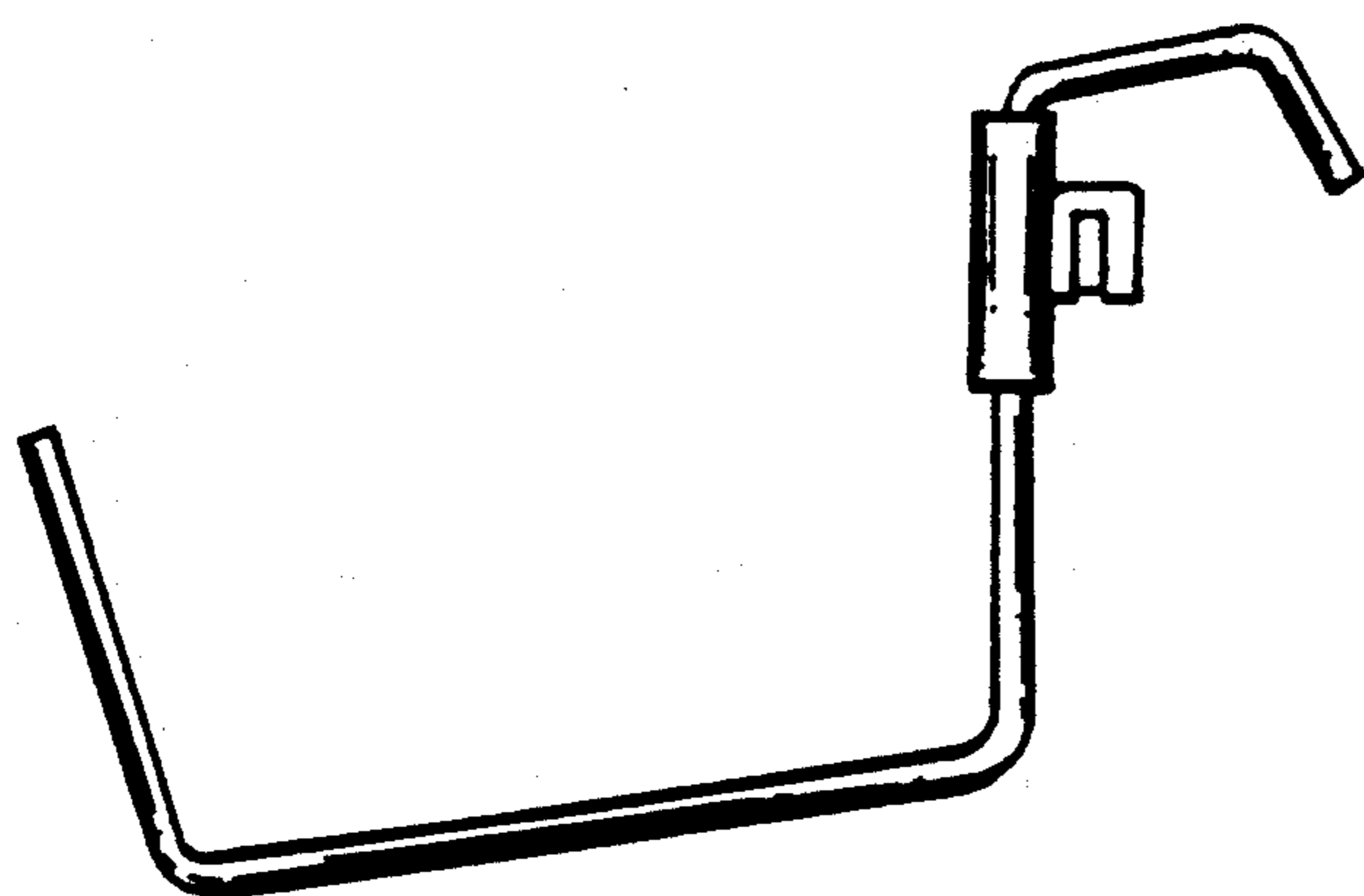


Fig. 5

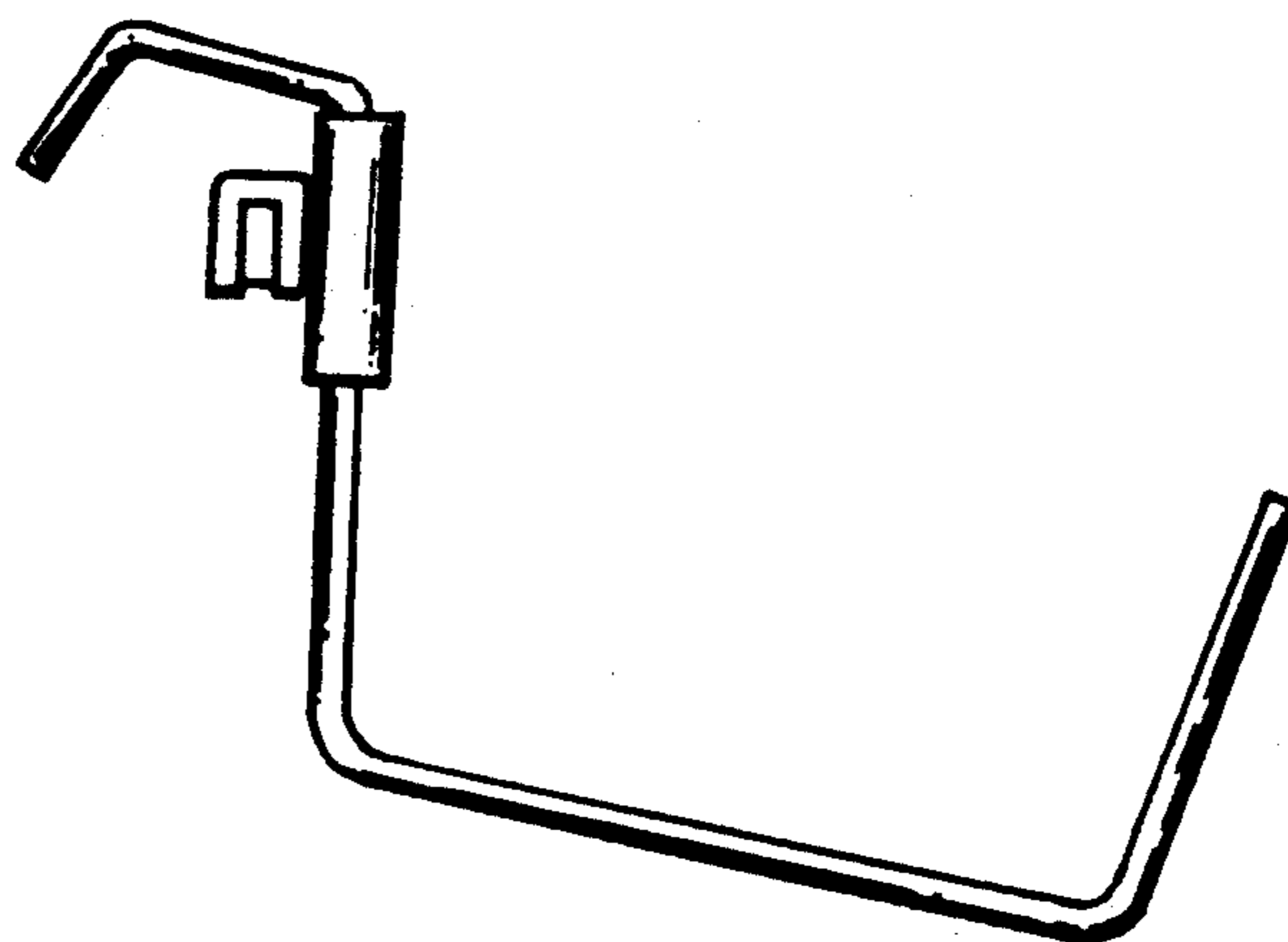


Fig. 6

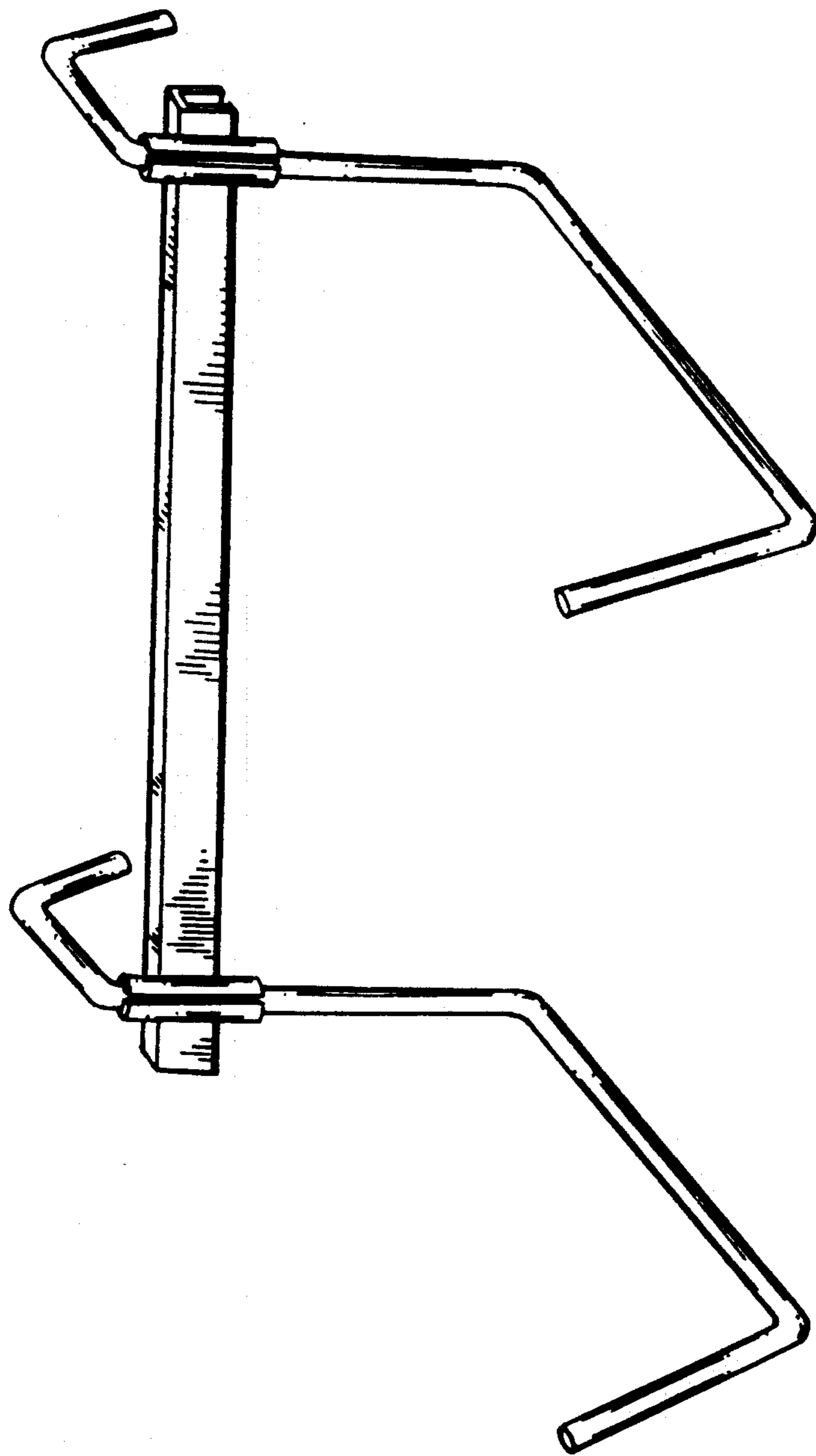


Fig. 7