



US00D337937S

United States Patent [19]

[11] Patent Number: Des. 337,937

Brennan

[45] Date of Patent: ** Aug. 3, 1993

[54] **ROLLER WHEEL**

[76] Inventor: Michael C. Brennan, Box 25 R.D. 1, Williamstown, Pa. 17098

[**] Term: 14 Years

[21] Appl. No.: 726,524

[22] Filed: Jul. 8, 1991

[52] U.S. Cl. D8/375

[58] Field of Search D8/360, 375; D12/204, D12/209-210; 16/18 R, 18 CG; 301/63 R, 63 PW, 64 R, 65

FOREIGN PATENT DOCUMENTS

302893 11/1931 Italy .
1421781 1/1976 United Kingdom .

OTHER PUBLICATIONS

C. W. Farmer Co. Catalog, 1942; p. 47, Steel Blocks, circled item at top, right of page.
Hamilton Catalog, 1987, p. 8, Wheels, Symbol B on left of page.

Primary Examiner—Wallace R. Burke
Assistant Examiner—H. Baynham
Attorney, Agent, or Firm—Terry M. Gernstein

[56] **References Cited**

U.S. PATENT DOCUMENTS

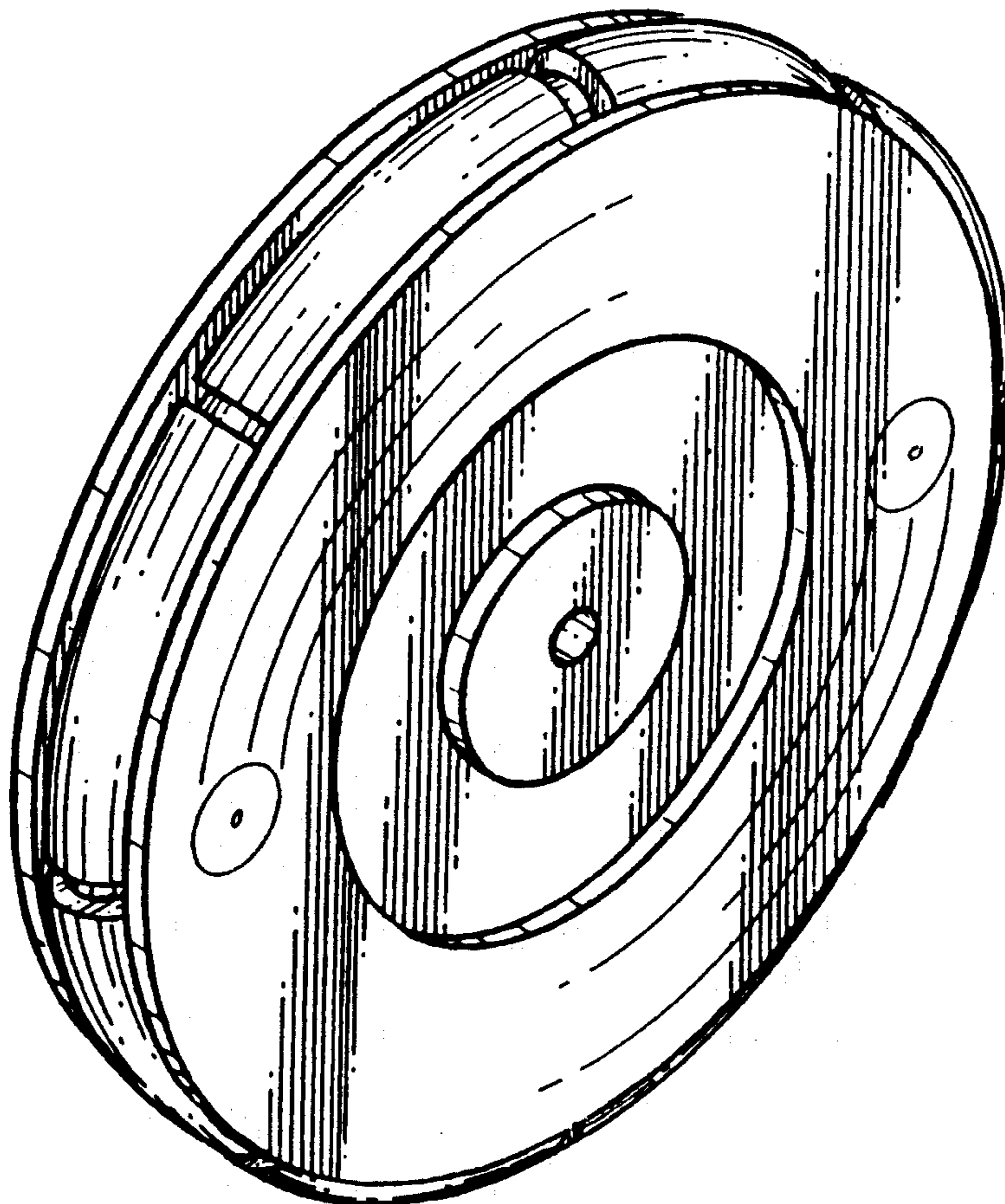
D. 184,346	2/1959	Gerland	D8/360
D. 221,833	9/1971	Haydock	D8/375
D. 224,705	9/1972	Mattson	.	
D. 266,396	10/1982	Neville	D8/375
D. 266,614	10/1982	Neville	D8/375 X
D. 267,540	1/1983	Kanemitsu	D8/360
D. 272,416	1/1984	Screen	D8/375
D. 318,219	7/1991	Guile	D8/375
4,252,986	2/1981	Klein et al.	.	
4,624,028	11/1986	Wilkes	.	
4,854,007	8/1989	Cheng	.	

[57] **CLAIM**

The ornamental design for a roller wheel, as shown and described.

DESCRIPTION

FIG. 1 is a perspective view of the roller wheel embodying the design of the present invention; FIG. 2 is a front elevational view thereof, the rear being a mirror image of the front shown in FIG. 2; and, FIG. 3 is a typical elevational view thereof, all elevational views being identical to the view shown in FIG. 3.



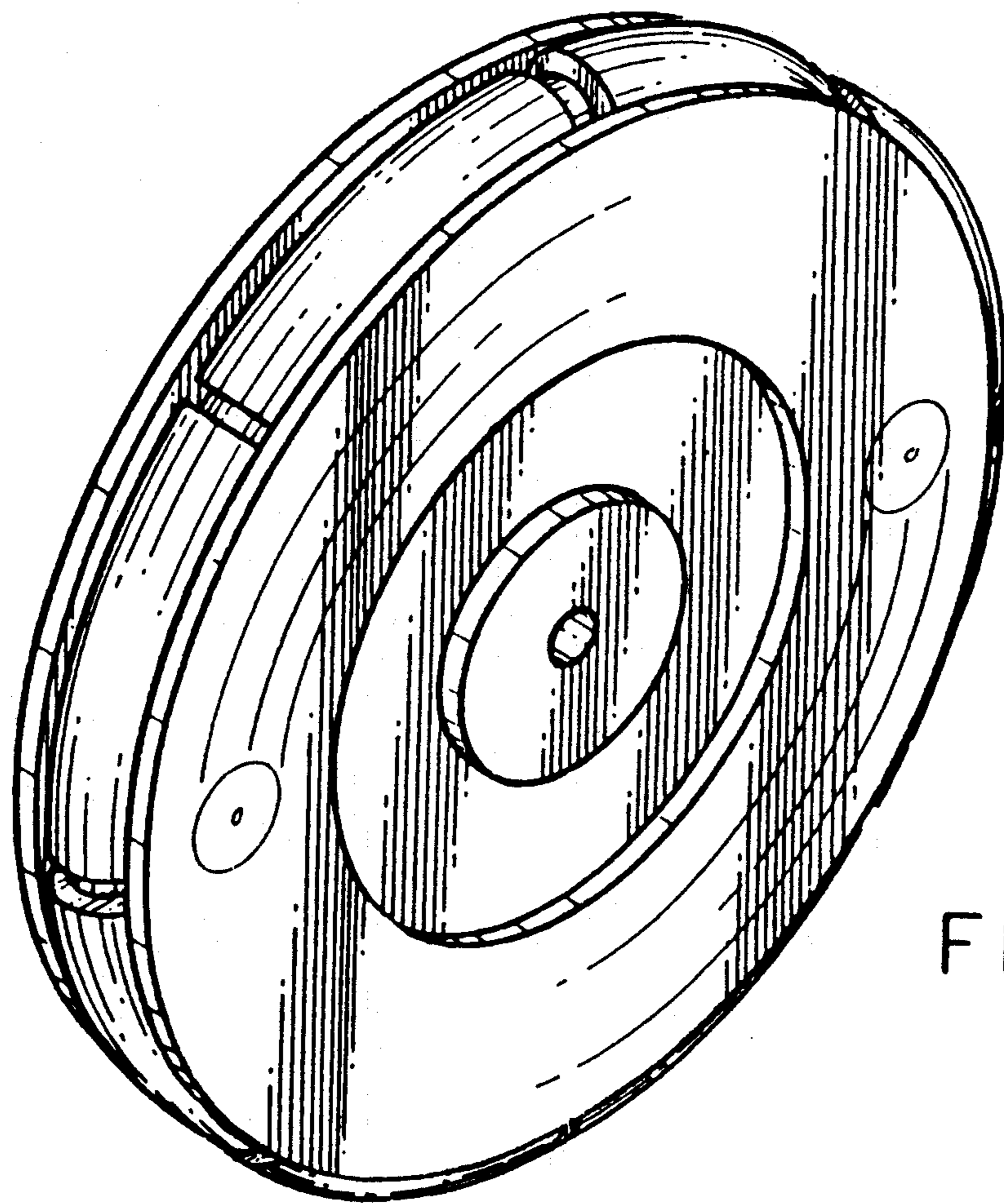


FIG. 1

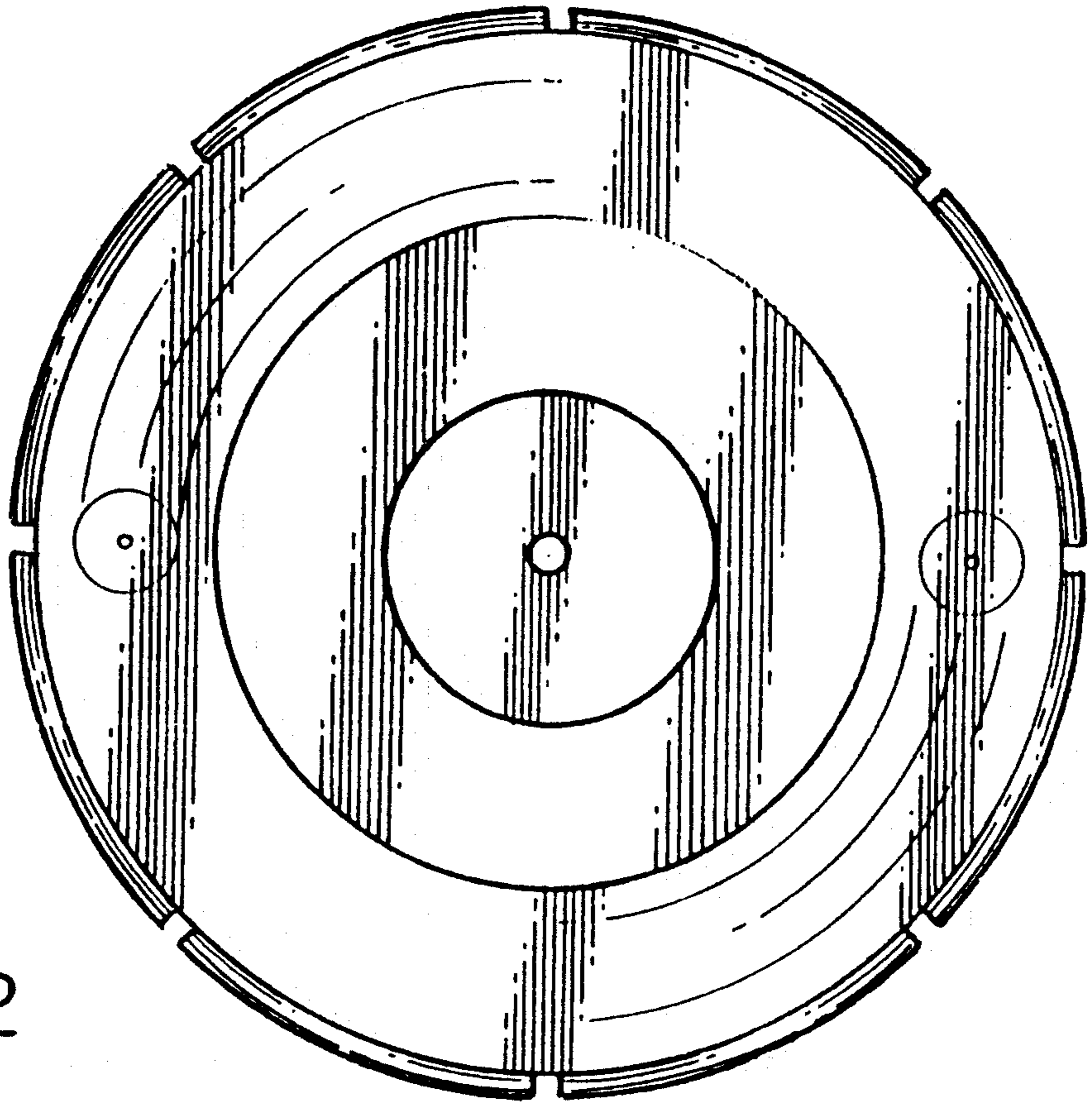


FIG. 2

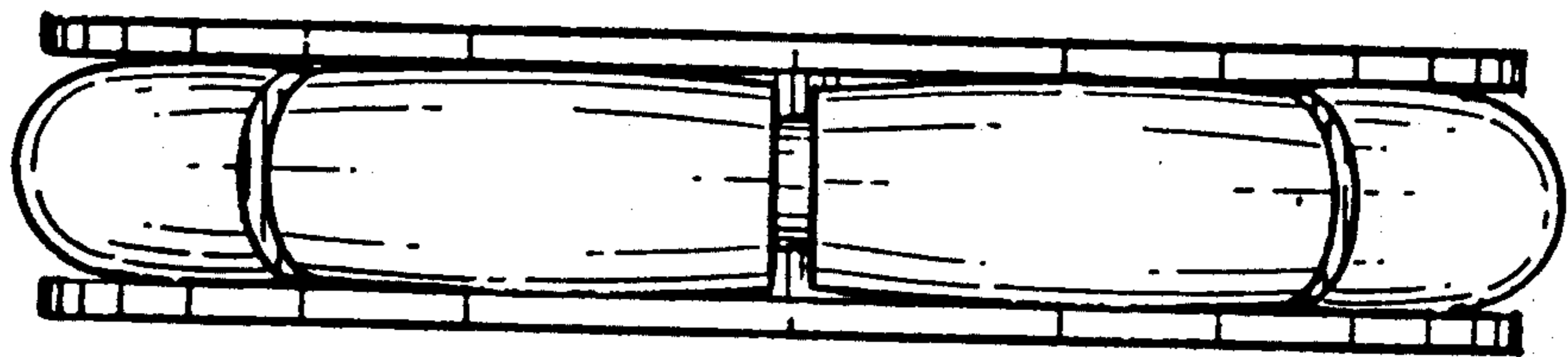


FIG. 3