



US00D337933S

# United States Patent [19] Gryz

[11] Patent Number: **Des. 337,933**  
[45] Date of Patent: **\*\* Aug. 3, 1993**

[54] **PORTABLE BARBEQUE GRILL**  
[76] Inventor: **Timothy S. Gryz, 2348 Sheridan Ave.  
North, Minneapolis, Minn.  
55411-2346**  
[\*\*] Term: **14 Years**  
[21] Appl. No.: **700,644**  
[22] Filed: **May 15, 1991**  
[52] U.S. Cl. .... **D7/332**  
[58] Field of Search ..... **D7/332, 335, 336, 409;  
126/25 R, 25 A, 25 AA, 29-30, 9 R, 9 B;  
D6/417; 248/156**

4,732,138 3/1988 Vos ..... 99/450  
5,025,715 6/1991 Sir ..... 99/450

*Primary Examiner—Ruth McInroy  
Attorney, Agent, or Firm—Faegre & Benson*

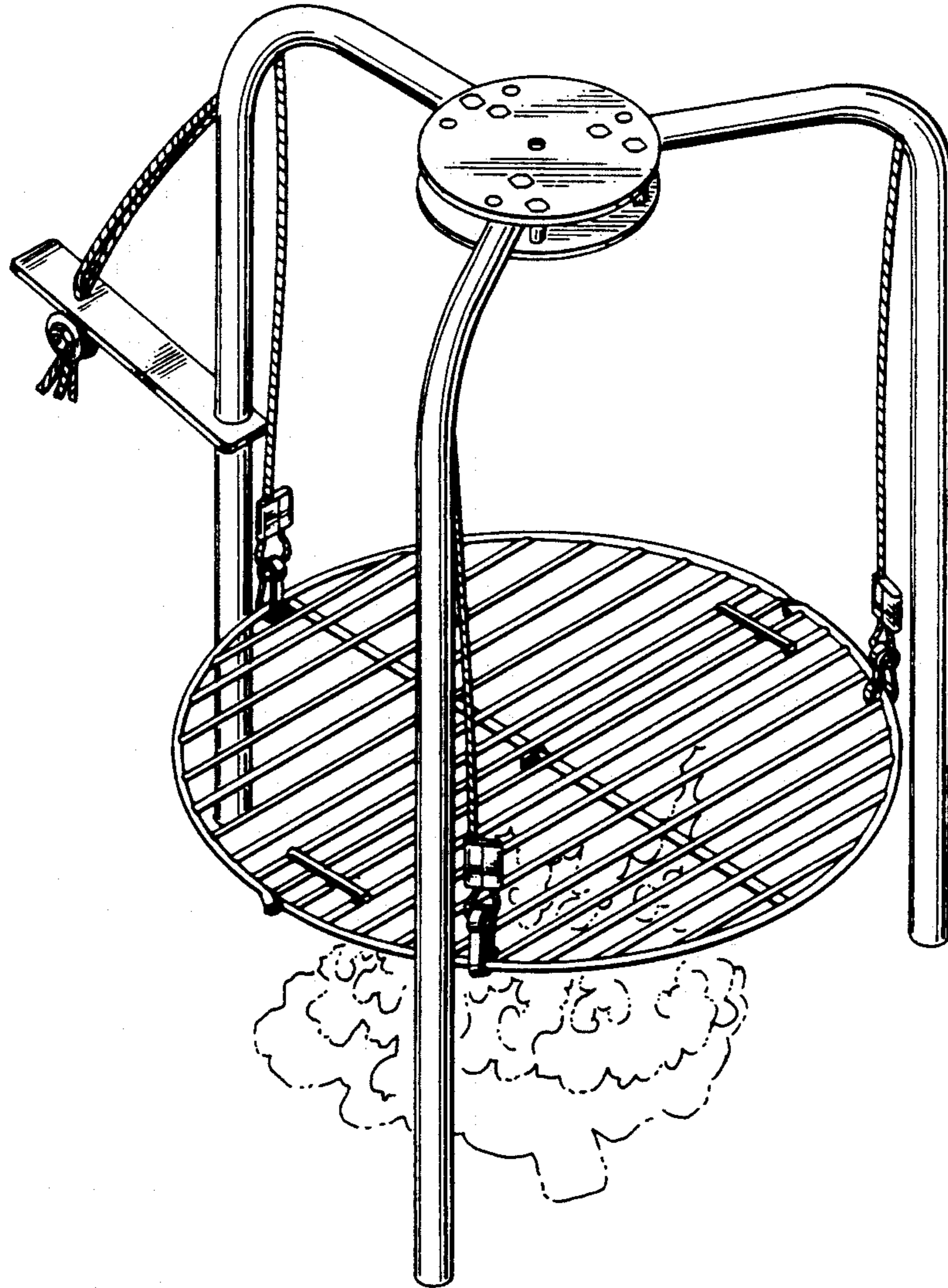
### [57] CLAIM

The ornamental design for a portable barbeque grill, as shown and described.

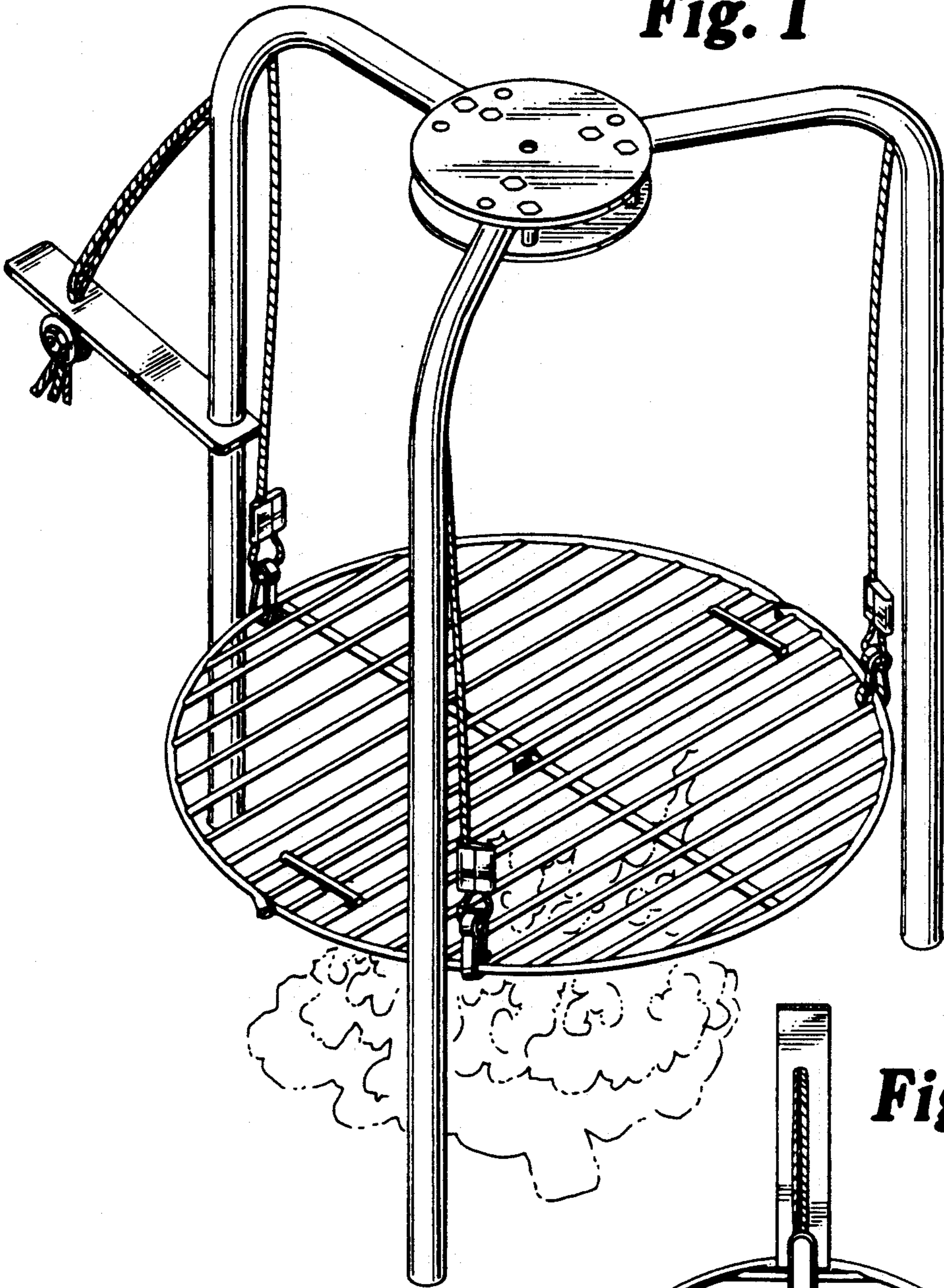
### DESCRIPTION

FIG. 1 is a perspective view of a portable barbeque grill showing my new design;  
FIG. 2 is a top plan view thereof;  
FIG. 3 is a right elevational view thereof;  
FIG. 4 is a left elevational view thereof;  
FIG. 5 is a rear elevational view thereof;  
FIG. 6 is a bottom plan view thereof; and,  
FIG. 7 is a front elevational view thereof.  
The broken lines shown in FIG. 1 are for illustrative purposes only and form no part of the claimed design.

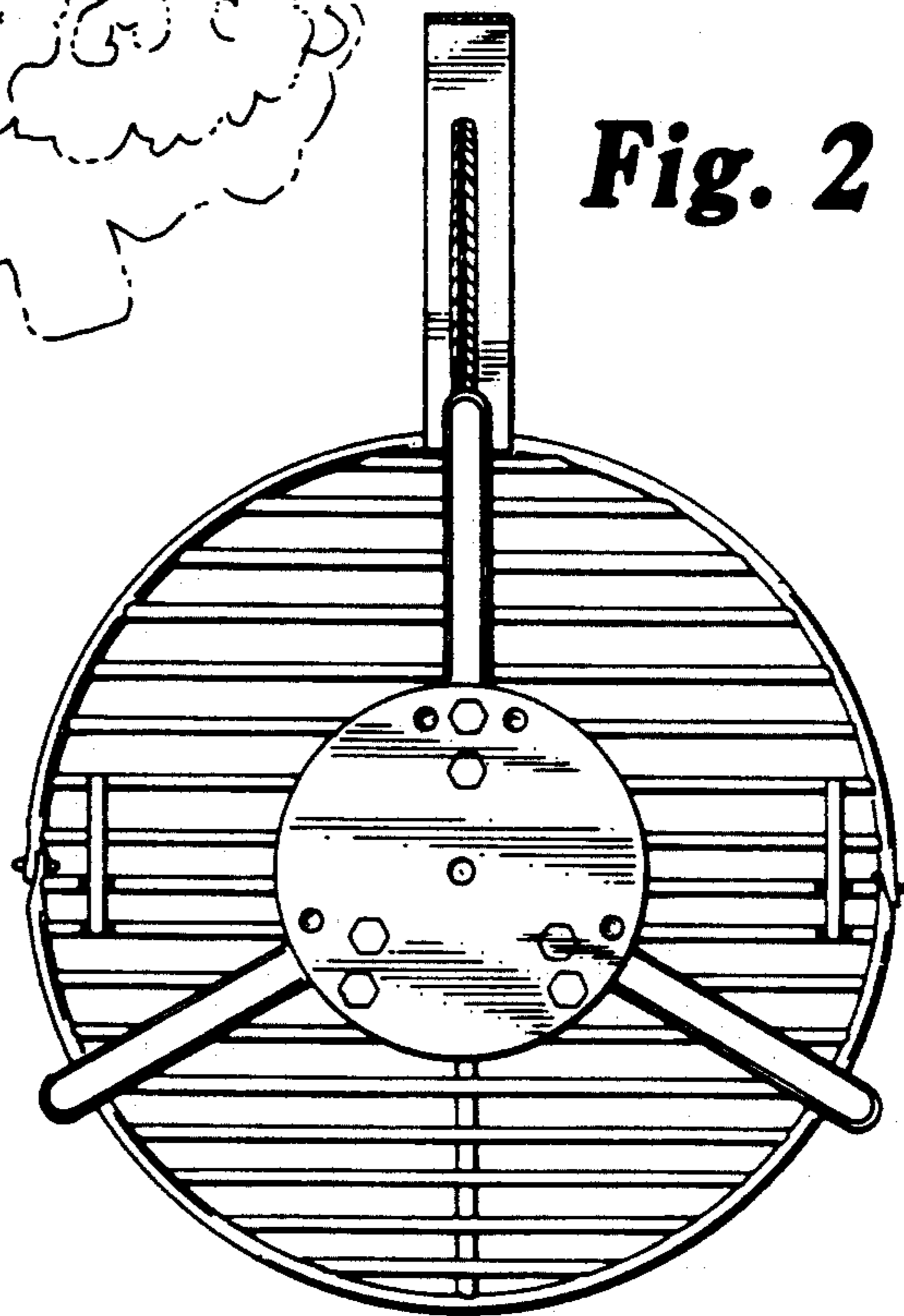
[56] **References Cited**  
**U.S. PATENT DOCUMENTS**  
D. 315,846 4/1991 Hatzenbeller ..... D7/335  
4,120,280 10/1978 Iverson et al. .... 126/30  
4,146,010 3/1979 Manska ..... D7/332



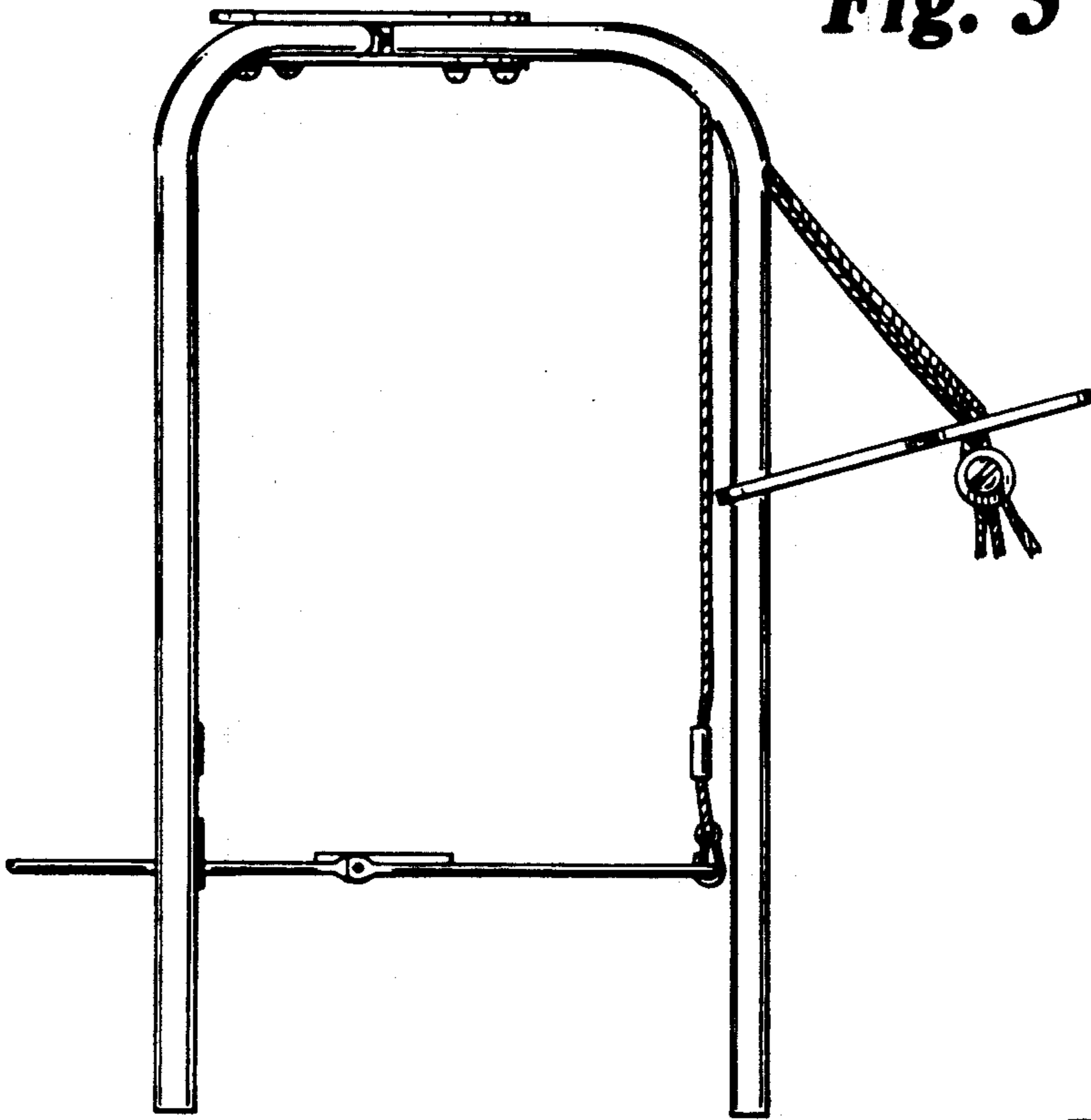
**Fig. 1**



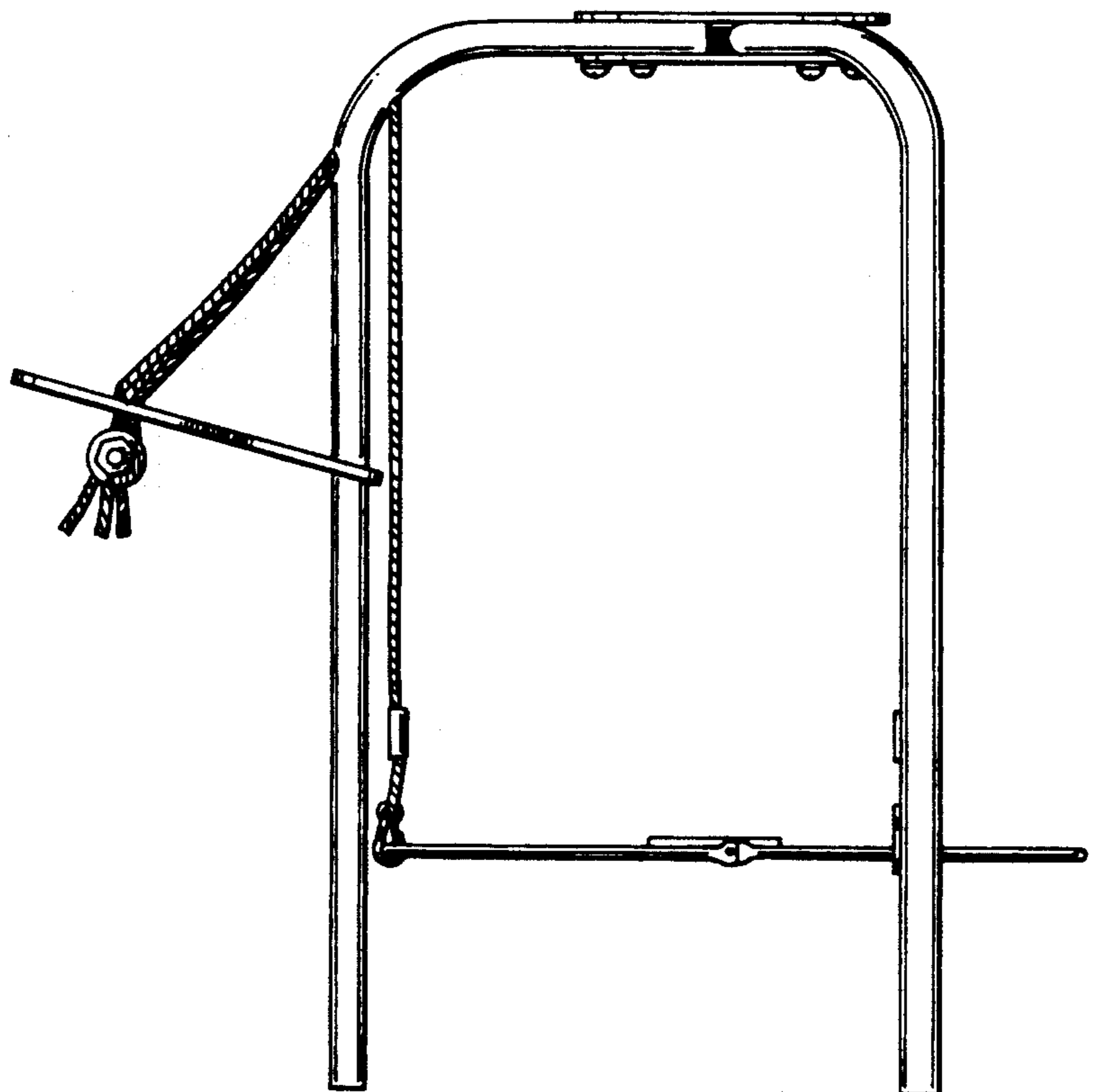
**Fig. 2**



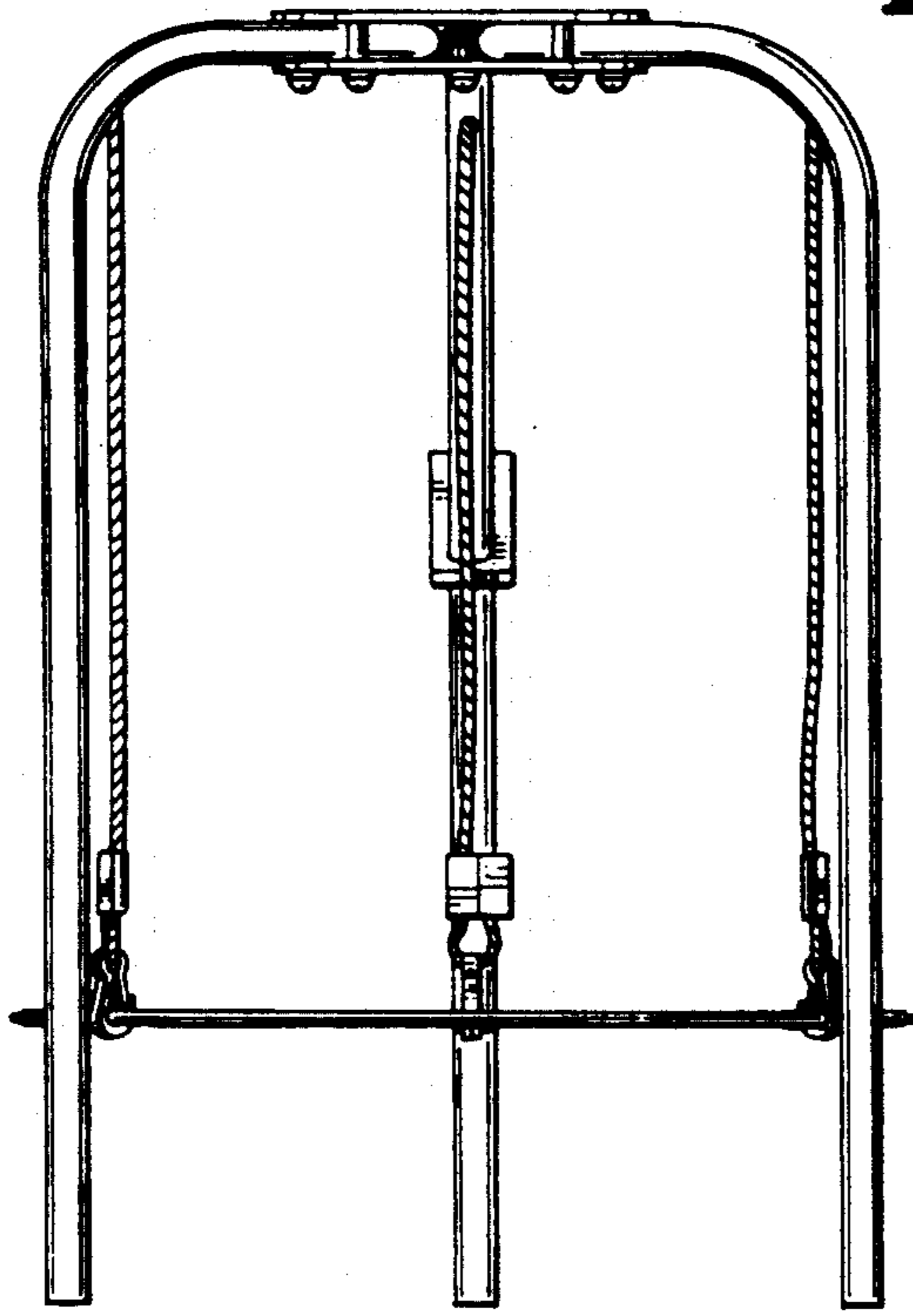
**Fig. 3**



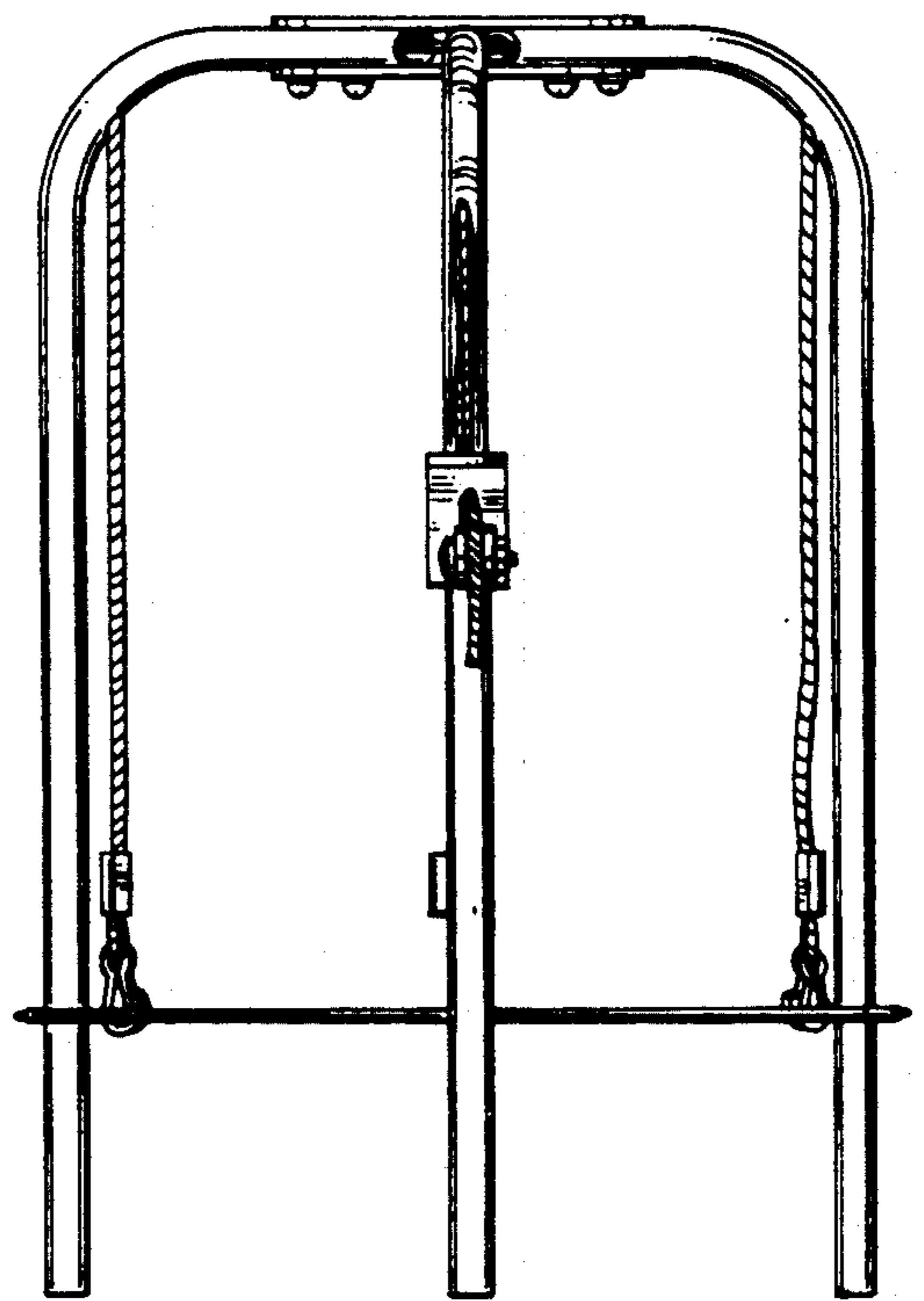
**Fig. 4**



**Fig. 5**



**Fig. 7**



**Fig. 6**

