



US00D337931S

United States Patent [19]

[11] Patent Number: **Des. 337,931**

Dann

[45] Date of Patent: **** Aug. 3, 1993**

- [54] **BOARD AND MAT CUTTER**
- [75] Inventor: **Michael Dann, Philadelphia, Pa.**
- [73] Assignee: **Hunt Holdings, Inc., Wilmington, Del.**
- [**] Term: **14 Years**
- [21] Appl. No.: **854,059**
- [22] Filed: **Mar. 19, 1992**
- [52] U.S. Cl. **D8/98; D19/35; D19/65; D19/72; D8/99**
- [58] Field of Search **D8/98, 99, 106, 107; D19/35, 36, 65, 72; 30/2, 162, 286, 287, 289, 293, 304, 90.4**

4,048,719	9/1977	Thompson	30/2
4,064,626	12/1977	Meshulam et al.	30/287
4,262,419	4/1981	Pierce	30/293
4,281,458	8/1981	Okada	30/162
4,354,314	10/1982	Pierce	30/293
4,393,587	7/1983	Kloosterman	30/162
4,472,879	9/1984	Sizemore, Jr.	30/304
4,578,865	4/1986	Keller	30/304
4,866,847	9/1989	Batrack et al.	30/293
4,897,920	2/1990	Dunbar	30/90.4

Primary Examiner—Nelson C. Holtje
Assistant Examiner—Martha Thompson
Attorney, Agent, or Firm—Synnestvedt & Lechner

[57] CLAIM

The ornamental design for a design of board and mat cutter, as shown and described.

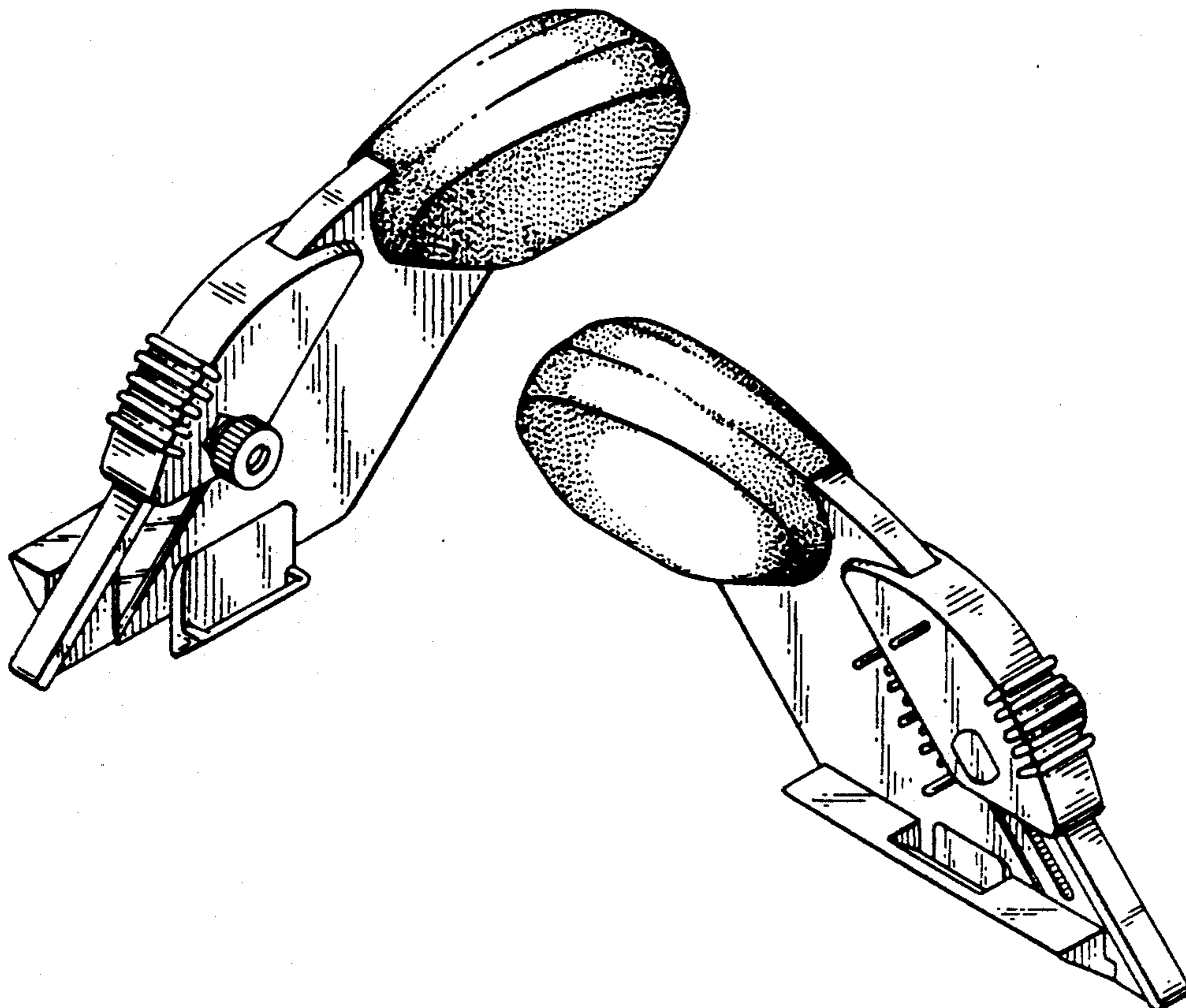
DESCRIPTION

FIG. 1 is a top, right front perspective view of a board and mat cutter showing my new design;
 FIG. 2 is a top, left front perspective view;
 FIG. 3 is a right side elevational view;
 FIG. 4 is a top plan view;
 FIG. 5 is a front elevational view;
 FIG. 6 is a bottom plan view;
 FIG. 7 is a left side elevational view;
 FIG. 8 is a rear elevational view; and,
 FIG. 9 is a top, right front perspective view thereof in an exploded condition.

[56] References Cited

U.S. PATENT DOCUMENTS

D. 230,823	3/1974	Gluck	D8/99
D. 245,570	8/1977	West et al.	D8/99
D. 256,217	8/1980	Korn	D8/98
D. 261,855	11/1981	Neal et al.	D8/98
D. 276,887	12/1984	Sakurai	D8/99
D. 299,413	1/1989	DeCarolis	D19/99 X
715,646	12/1902	Driscoll	
1,599,800	9/1926	Van Sickle	
2,215,216	9/1940	Gits et al.	30/162
3,478,427	11/1969	Tims, Jr.	D8/98 X
3,991,467	11/1976	Yokoyama	30/293
4,031,616	6/1977	Hines et al.	30/2



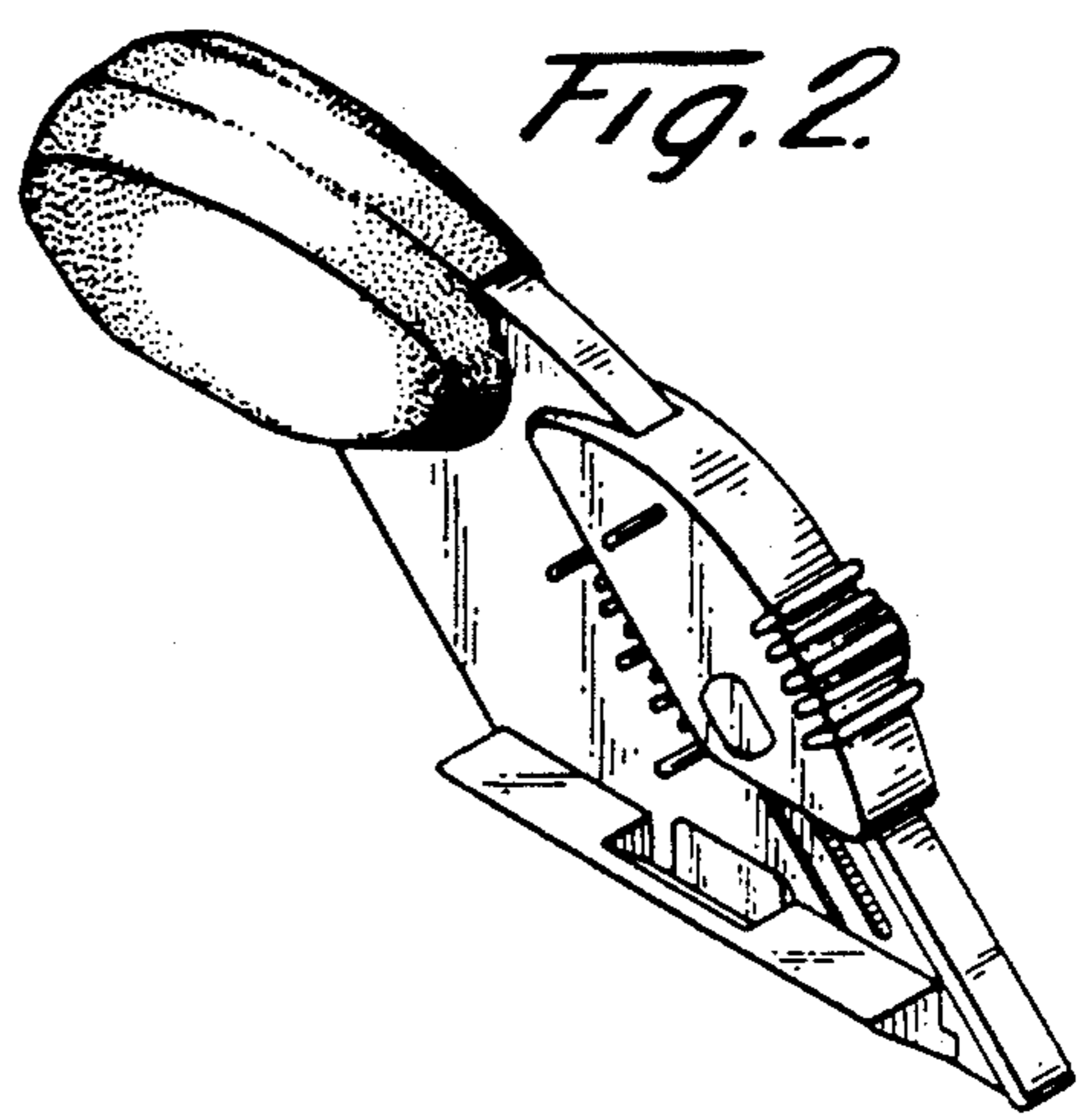
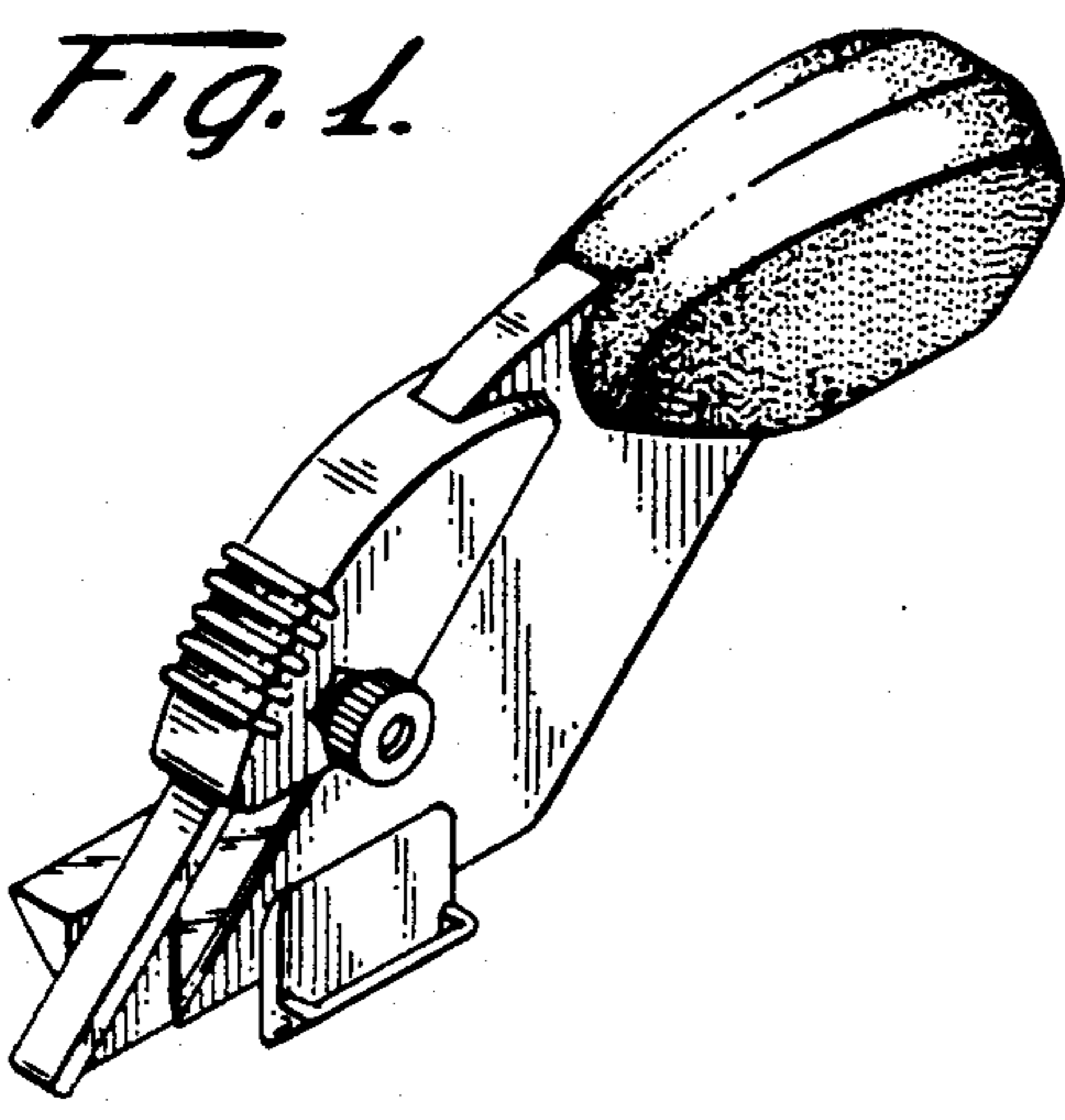


Fig. 4.

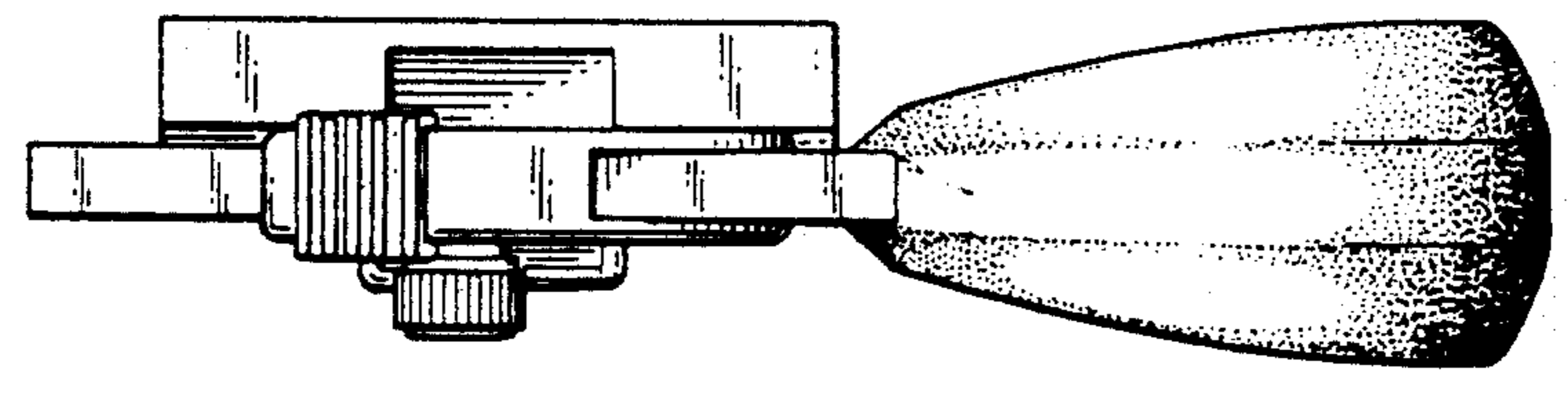


Fig. 5.

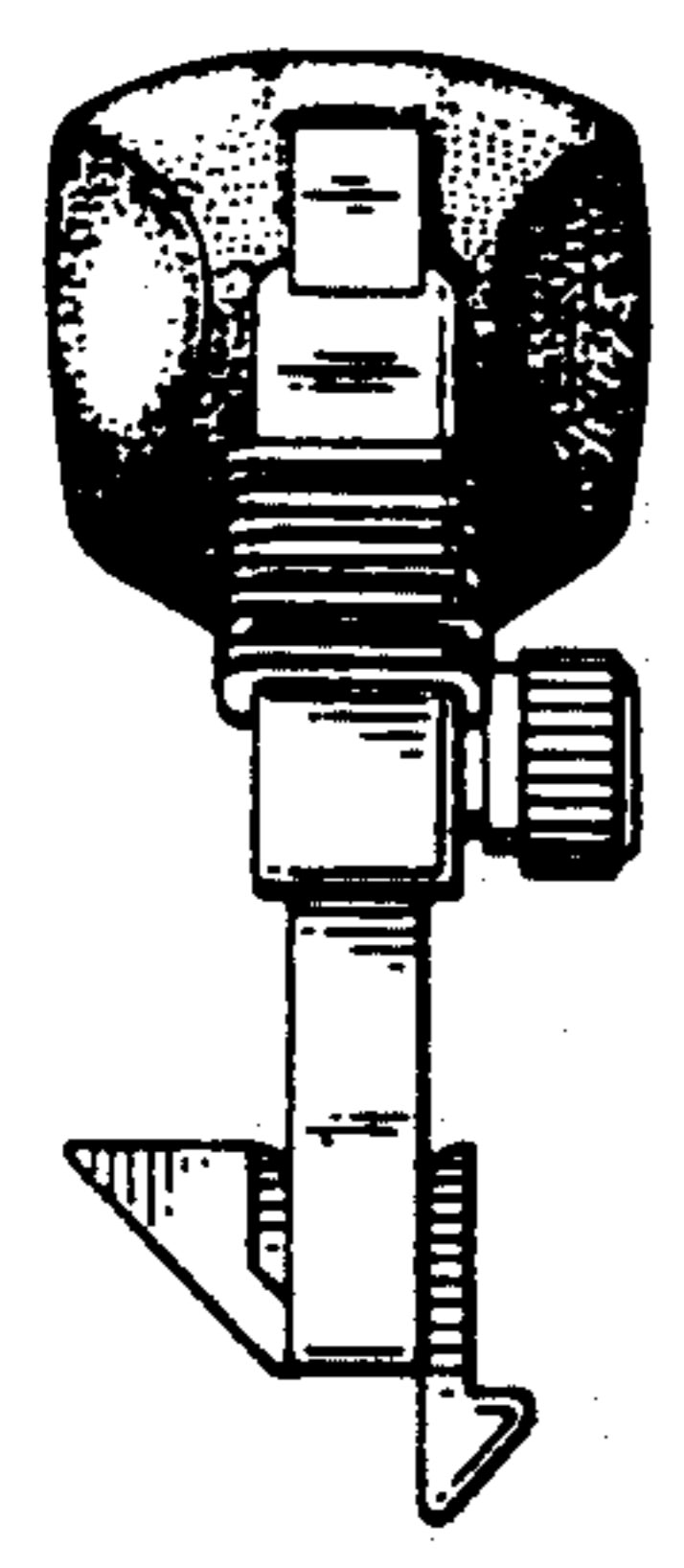


Fig. 3.

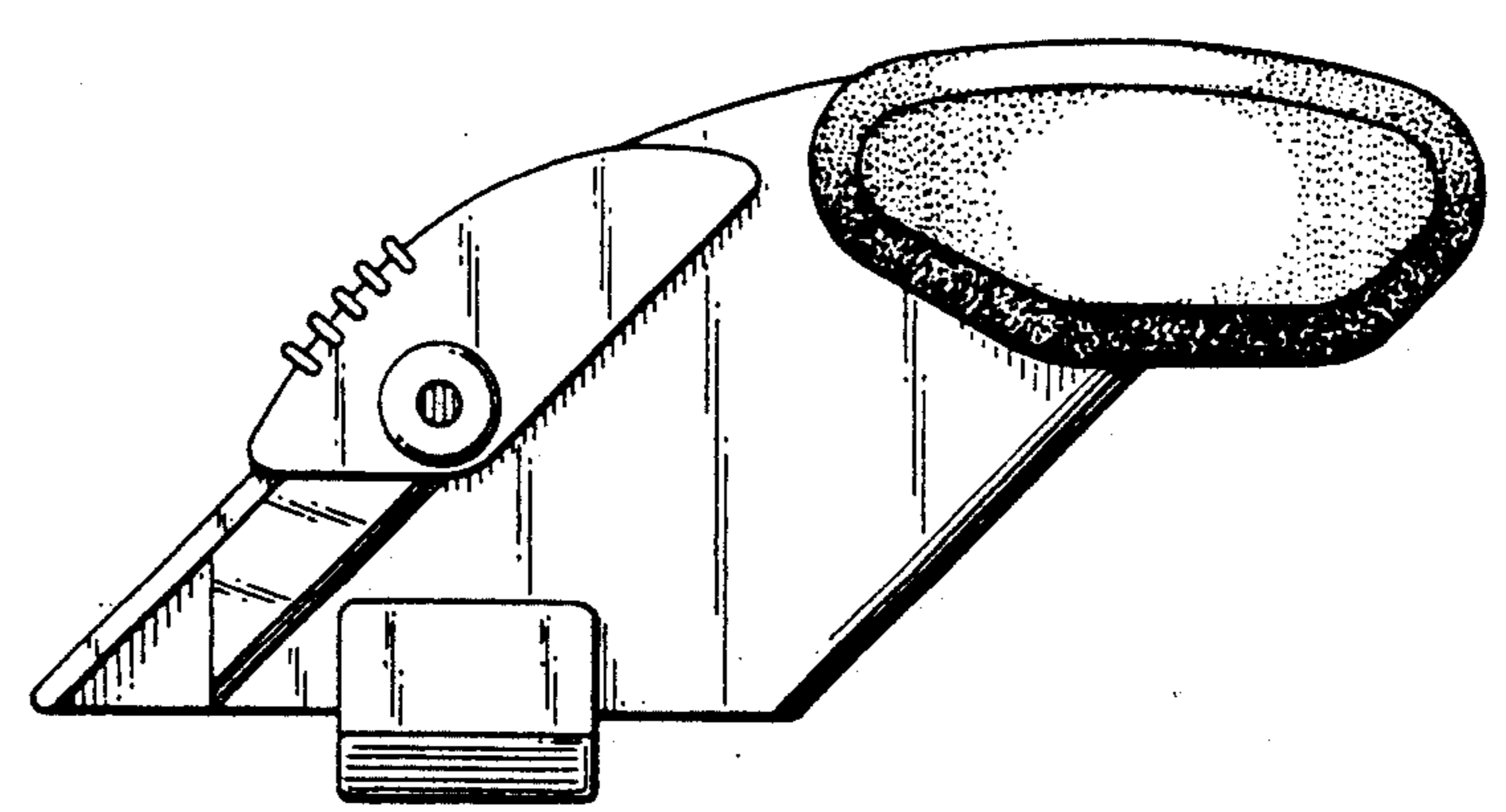


Fig. 6.

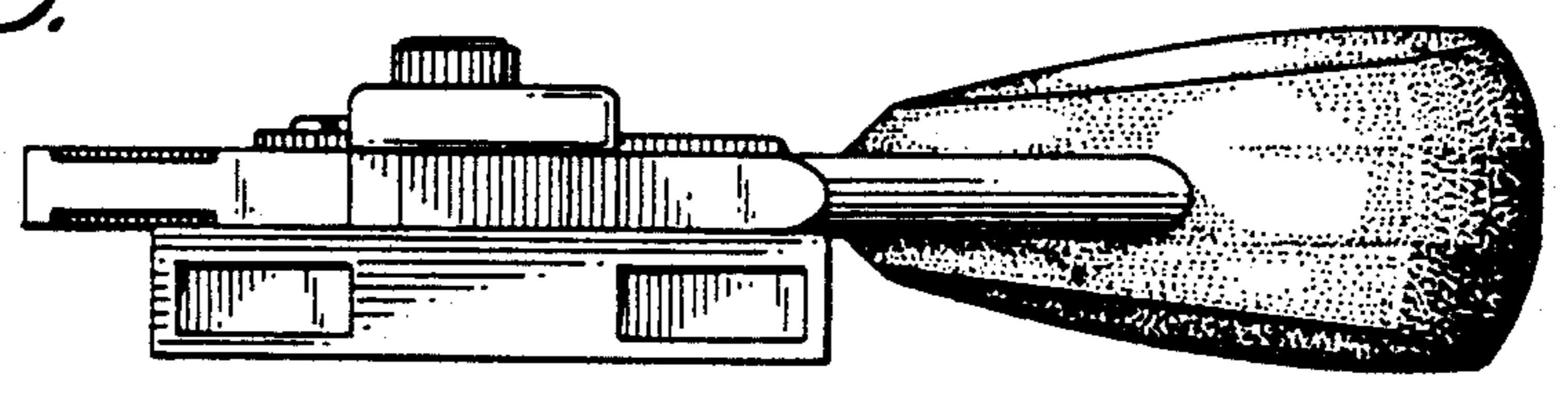


Fig. 8.

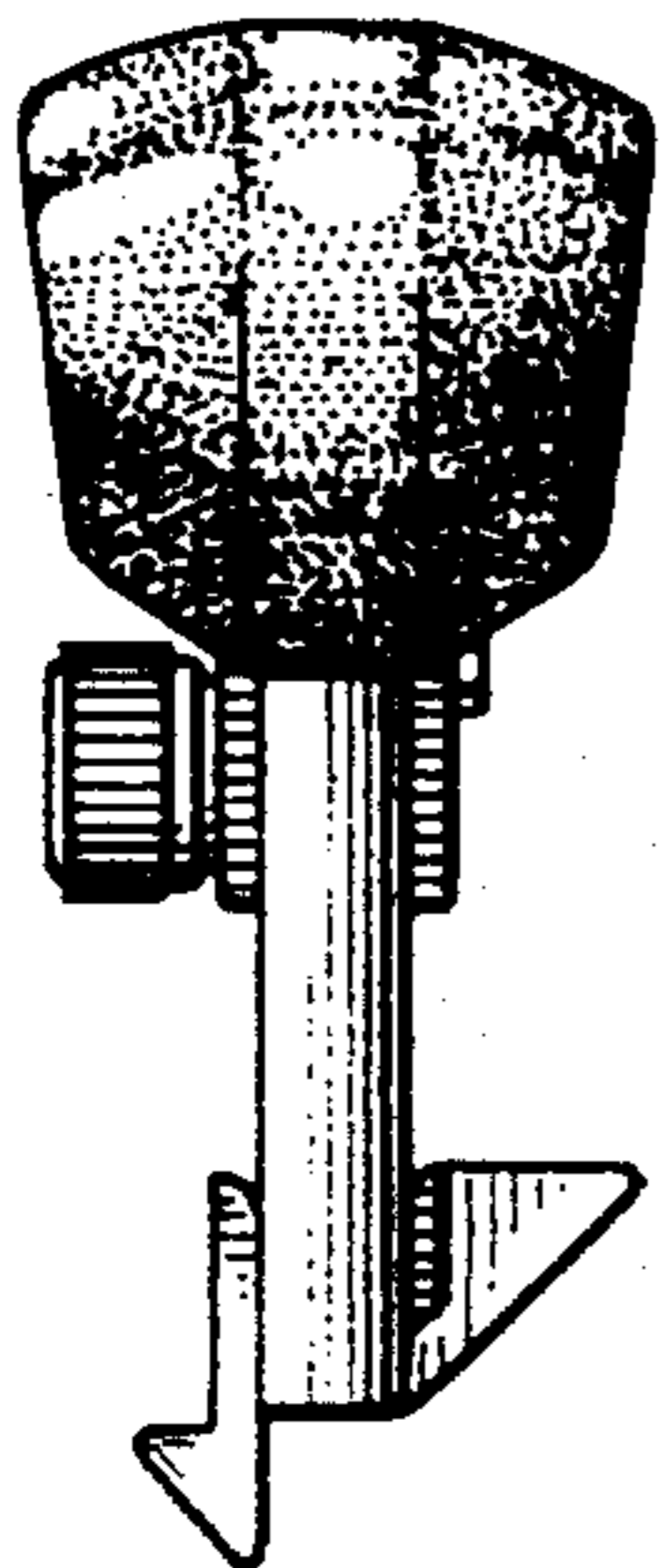


Fig. 7.

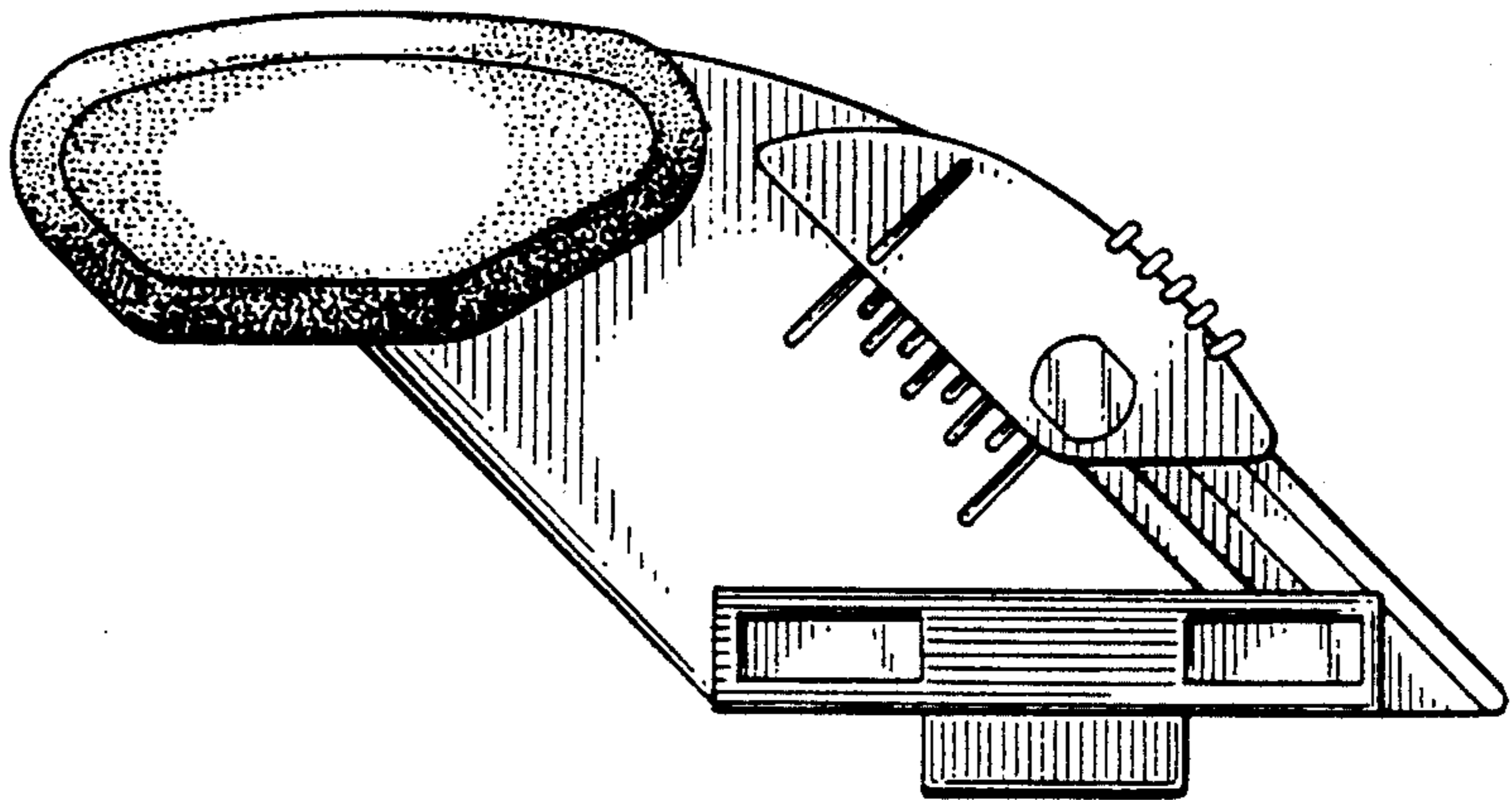


Fig. 9.

