



US00D337925S

# United States Patent [19]

Scott, Jr. et al.

[11] Patent Number: Des. 337,925

[45] Date of Patent: \*\* Aug. 3, 1993

[54] PLANTER

[75] Inventors: Harry W. Scott, Jr., Dover; Randall W. Britt; Kenneth L. Renfroe, both of Russellville, all of Ark.

[73] Assignee: Thompson Industries, Inc., Russellville, Ark.

[\*\*] Term: 14 Years

[21] Appl. No.: 884,556

[22] Filed: May 18, 1992

[52] U.S. Cl. .... D8/1; D11/155

[58] Field of Search ..... D8/1, 499; D11/13, 155; D12/154; 47/33; 52/102, 233; 59/78, 80, 84-85, 88, 11

3,837,163	9/1974	Fujimon .....	59/80
4,269,026	5/1981	Bulle et al. ....	59/85 X
4,522,006	6/1985	Plikuhn .....	52/233 X
4,664,358	5/1987	Clark .....	52/233 X
4,834,585	5/1989	Hasenwinkle et al. ....	52/233 X
4,869,018	9/1989	Scales et al. ....	47/33
4,905,409	3/1990	Cole .....	52/233 X
4,986,042	1/1991	Richardt .....	47/33 X
5,038,557	8/1991	Otsuki et al. ....	59/80
5,119,587	6/1992	Waltz .....	47/33

Primary Examiner—Wallace R. Burke  
Assistant Examiner—H. Baynham  
Attorney, Agent, or Firm—Stephen D. Carver

### [57] CLAIM

The ornamental design for a planter, as shown and described.

### DESCRIPTION

FIG. 1 is a front isometric view showing our planter; FIG. 2 is a rear isometric view thereof; FIG. 3 is a top plan view thereof; FIG. 4 is a side elevational view thereof, the opposite side comprising a mirror image; and, FIG. 5 is a left end elevational view. With the exception of the raised portion on the top view of the planter, the bottom plan view is identical in appearance to the top plan view.

### [56] References Cited

#### U.S. PATENT DOCUMENTS

D. 217,273	4/1970	Adelman .....	D25/113
D. 223,585	5/1973	Adelman .....	D25/113
1,598,250	8/1926	Person .....	59/80
1,830,188	11/1931	Bellavance .....	59/80
3,006,038	10/1961	Sullivan .....	52/233 X
3,343,301	9/1967	Adelman .....	47/33
3,396,488	8/1968	Ries .....	D8/1 X
3,415,013	12/1968	Galbraith .....	47/33 X
3,545,128	12/1970	La Fontaine .	

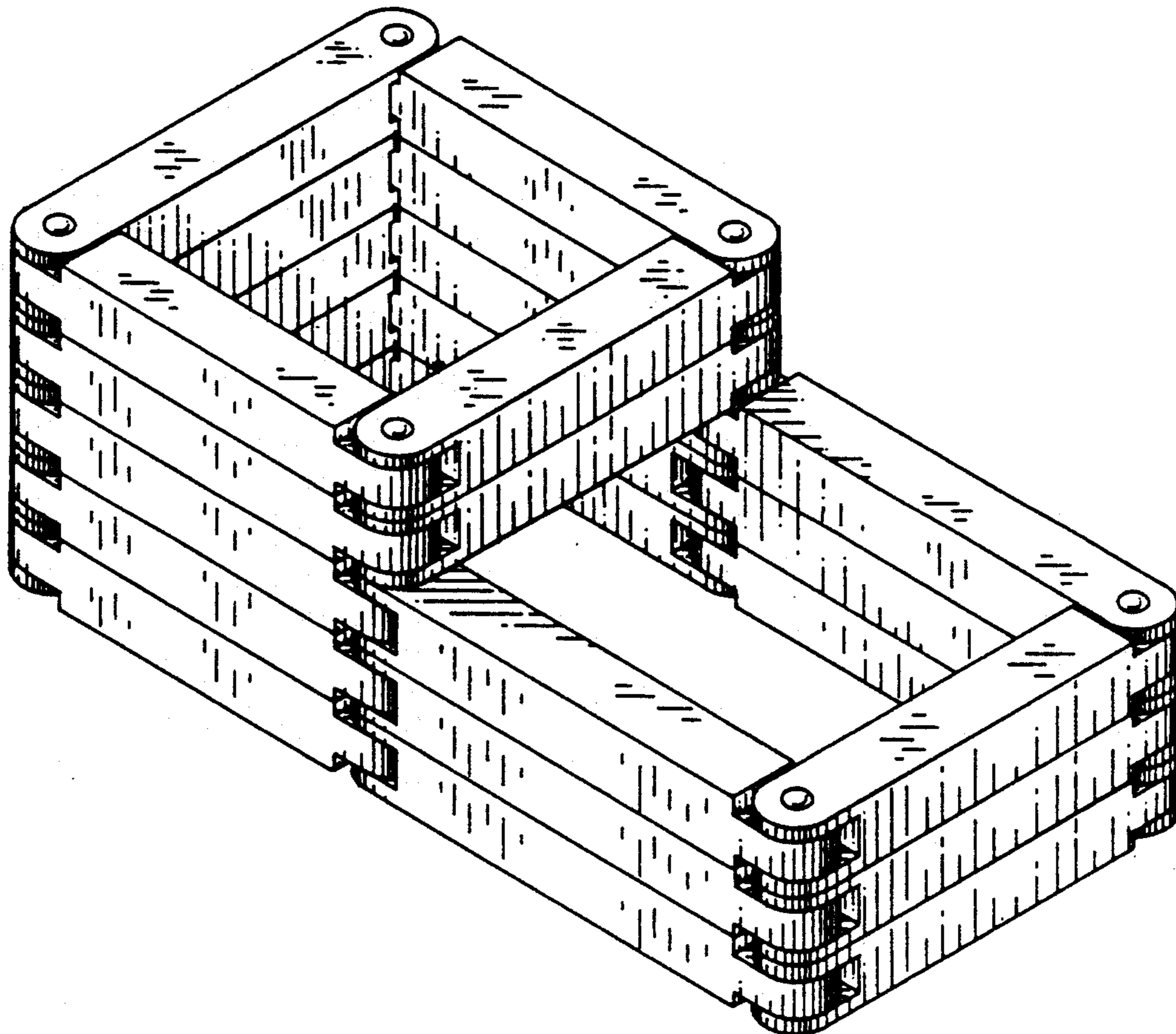


FIG. 1

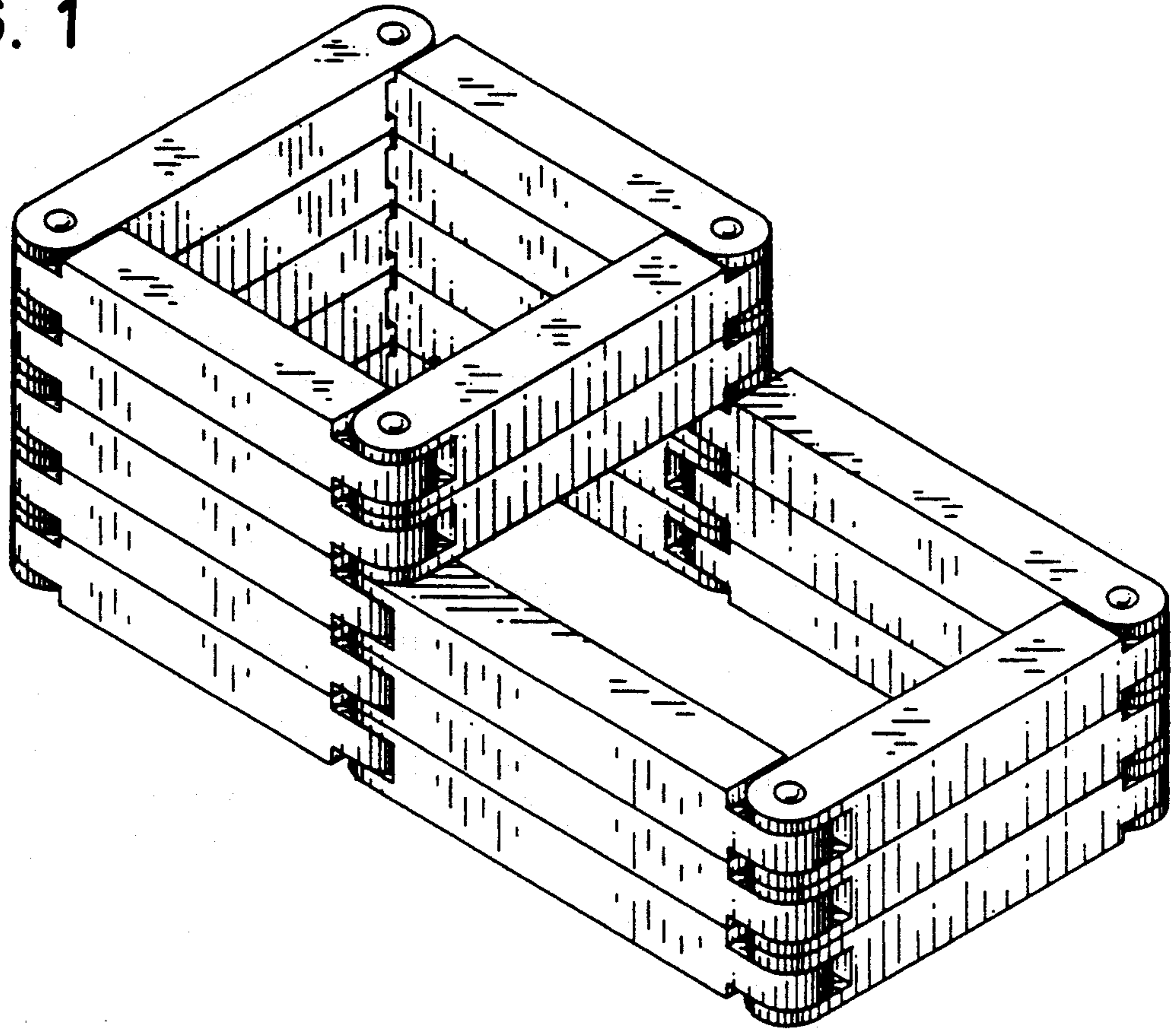


FIG. 2

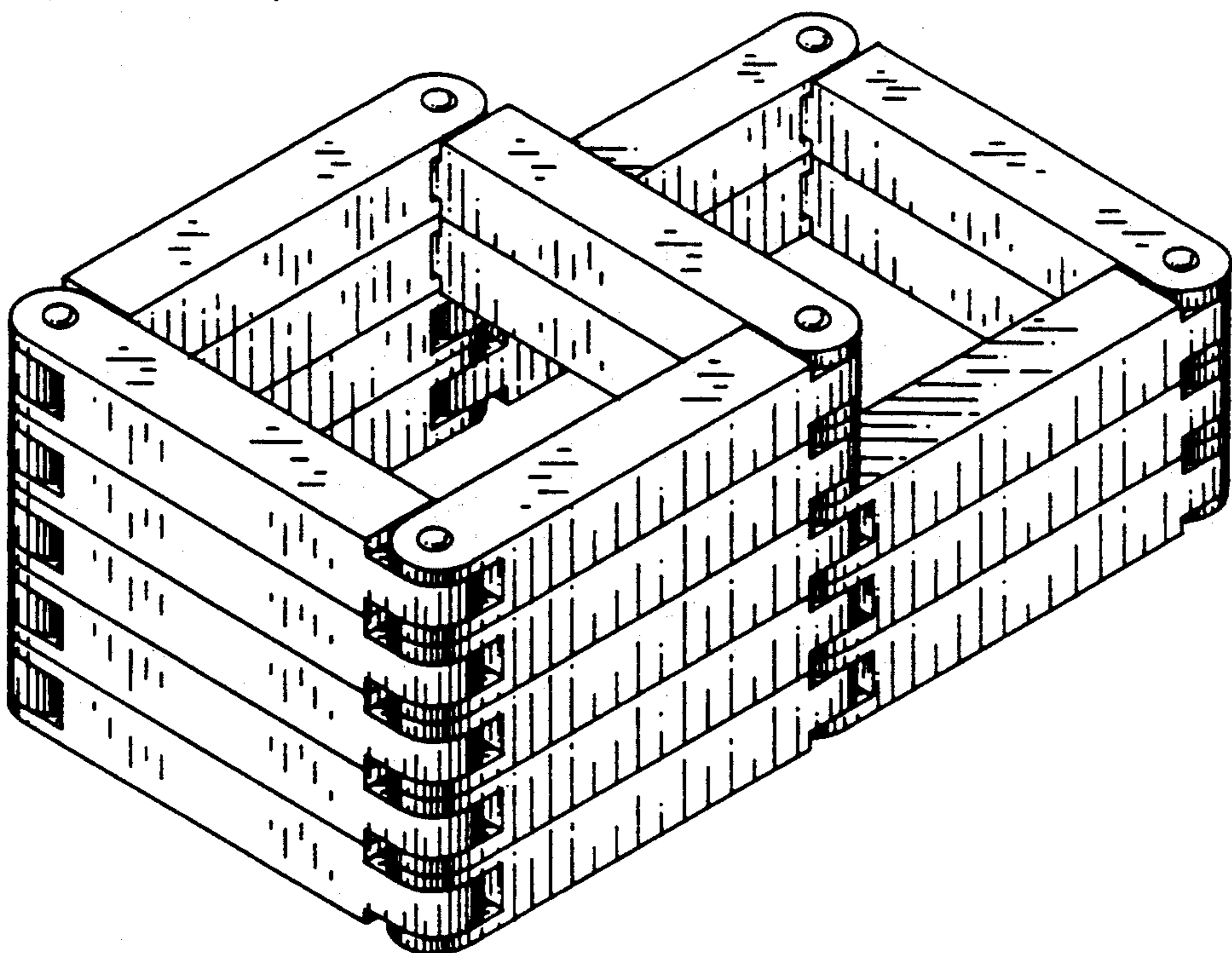


FIG. 3

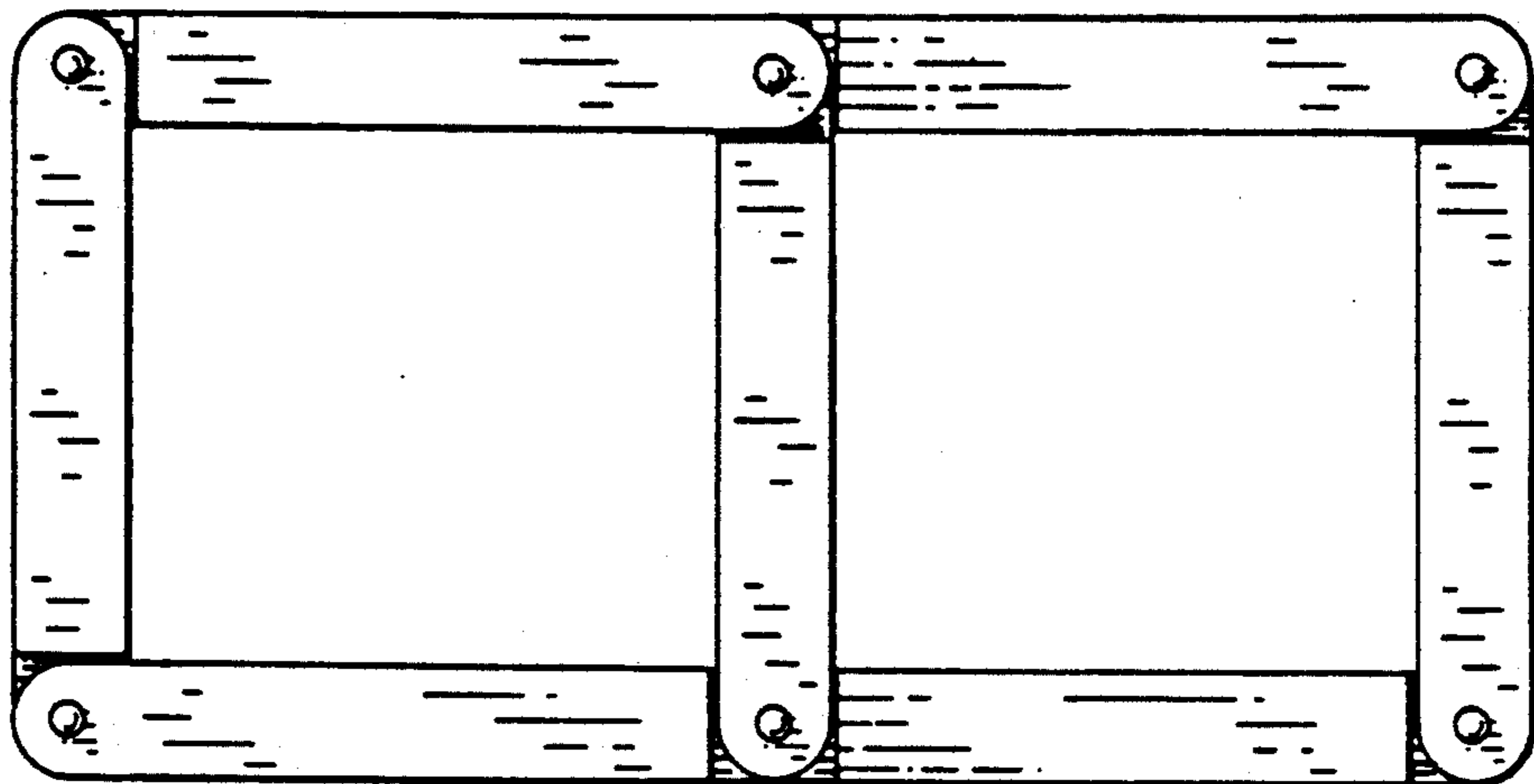


FIG. 4

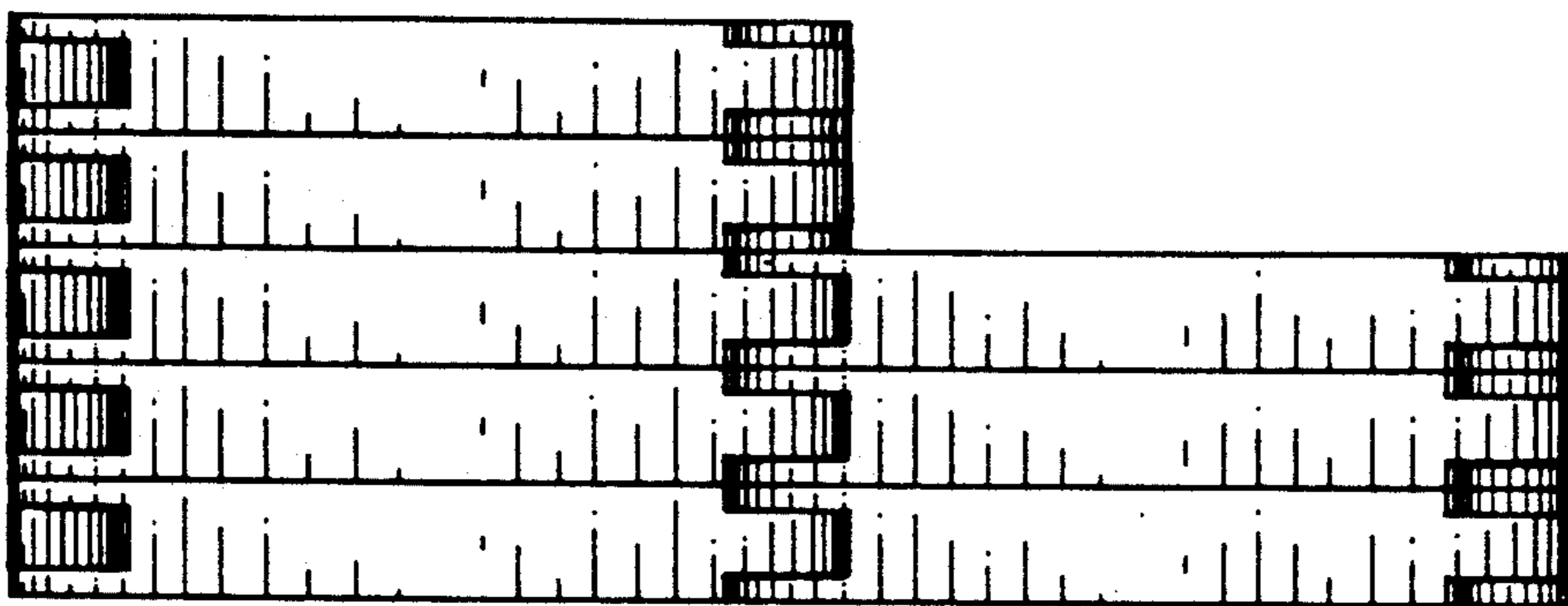


FIG. 5

