



US00D337924S

# United States Patent [19]

Scott, Jr. et al.

[11] Patent Number: Des. 337,924

[45] Date of Patent: \*\* Aug. 3, 1993

[54] PLANTER

[75] Inventors: Harry W. Scott, Jr., Dover; Randall W. Britt; Kenneth L. Renfroe, both of Russellville, all of Ark.

[73] Assignee: Thompson Industries, Inc., Russellville, Ark.

[\*\*] Term: 14 Years

[21] Appl. No.: 788,717

[22] Filed: Nov. 6, 1991

[52] U.S. Cl. .... D8/1

[58] Field of Search ..... D8/1, 499; D11/13, 155; D12/154; 47/33; 52/233, 102; 59/78, 80, 84-85, 88, 11; D6/335

4,433,944	2/1984	Plica et al. .	
4,522,006	6/1985	Plikuhn .....	52/233 X
4,664,358	5/1987	Clark .....	52/233 X
4,747,231	5/1988	LeMay et al. .	
4,761,923	8/1988	Reum et al. .	
4,767,232	8/1988	Francis .	
4,787,475	11/1988	Arteau et al. .	
4,834,585	5/1989	Hasenwinkle et al. ....	52/233 X
4,869,018	9/1989	Scales et al. ....	47/33
4,897,955	2/1990	Winsor .	
4,905,409	3/1990	Cole .....	52/223 X
4,910,910	3/1990	Jones .	
4,967,526	11/1990	Yost .	
4,986,042	1/1991	Richardt .....	47/33 X
4,997,316	3/1991	Rose .	
5,038,557	8/1991	Otsuki et al. ....	59/80
5,119,587	6/1992	Waltz .....	47/33

[56] **References Cited**

**U.S. PATENT DOCUMENTS**

D. 217,273	4/1970	Adelman .....	D25/113
D. 223,585	5/1973	Adelman .....	D25/113
1,219,786	3/1917	Splatter .	
1,598,250	8/1926	Person .....	59/80
1,809,508	6/1931	Colby .	
1,830,188	11/1931	Bellavance .....	59/80
2,687,033	8/1954	Snyder .	
2,951,606	9/1960	Benson .	
3,006,038	10/1961	Sullivan .....	52/233 X
3,324,619	6/1967	Gearhart .	
3,343,301	9/1967	Adelman .....	47/33
3,396,488	8/1968	Ries .....	D8/1 X
3,415,013	12/1968	Galbraith .....	47/33 X
3,487,579	1/1970	Brettingen .	
3,545,128	12/1970	La Fontaine et al. .	
3,742,665	7/1973	Henry et al. .	
3,837,163	9/1974	Fujimon .....	59/80
4,269,026	5/1981	Bulle et al. ....	59/85 X
4,312,606	1/1982	Sarikelle .	
4,353,191	10/1982	Schilbe .	
4,391,077	7/1983	Giess .	

**OTHER PUBLICATIONS**

Design Wood brochure, 1991, cover page, interlocking wood pieces.

*Primary Examiner*—Wallace R. Burke  
*Assistant Examiner*—H. Baynham  
*Attorney, Agent, or Firm*—Stephen D. Carver

[57] **CLAIM**

The ornamental design for a planter, as shown and described.

**DESCRIPTION**

FIG. 1 is a front perspective view of a planter showing our new design;  
FIG. 2 is a left side perspective view thereof;  
FIG. 3 is a right side perspective view thereof;  
FIG. 4 is a rear perspective view thereof;  
FIG. 5 is a front elevational view thereof;  
FIG. 6 is a rear elevational view thereof;  
FIG. 7 is a left side elevational view thereof;  
FIG. 8 is a right side elevational view thereof; and,  
FIG. 9 is a top plan view thereof.

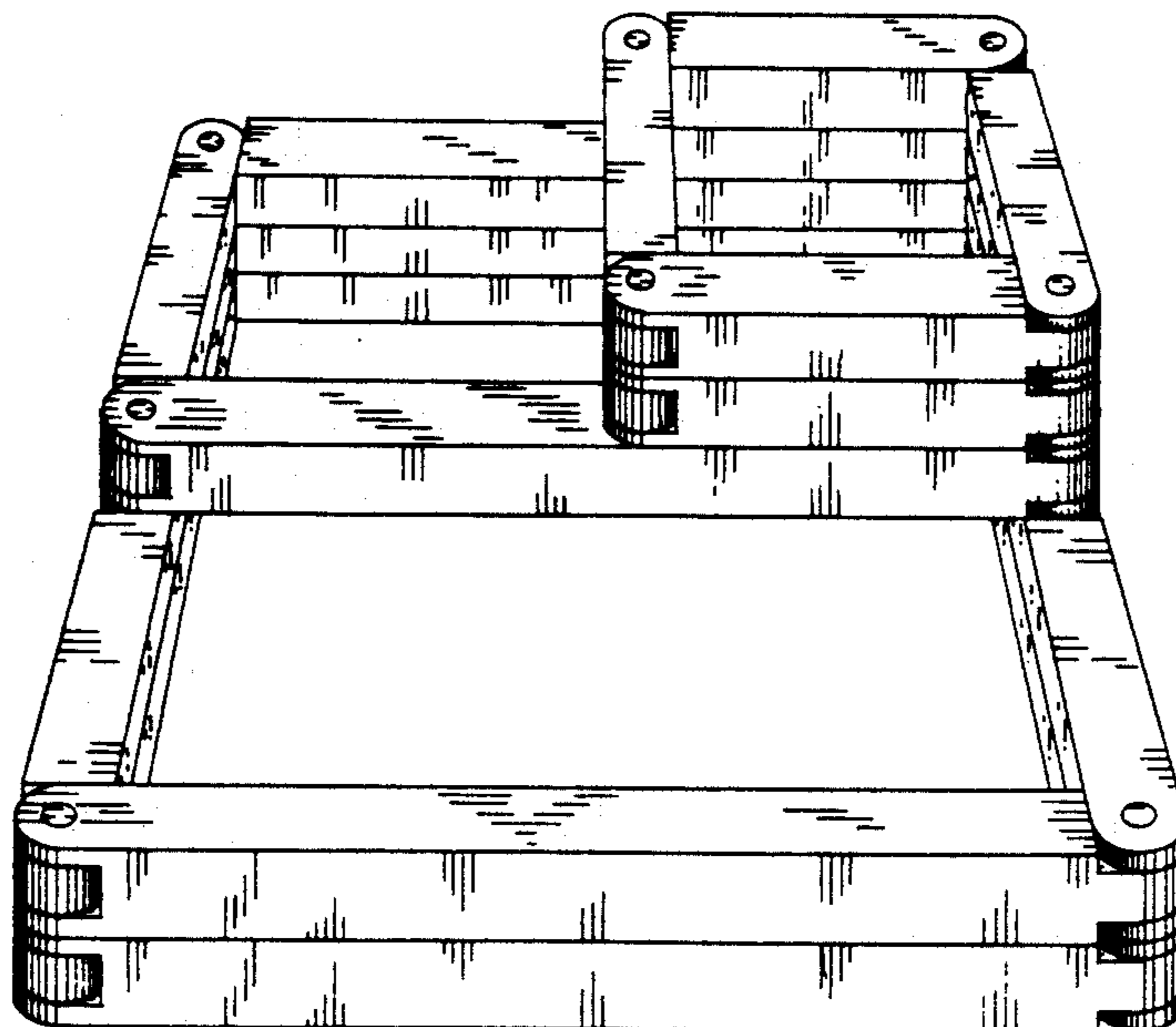


FIG. 1

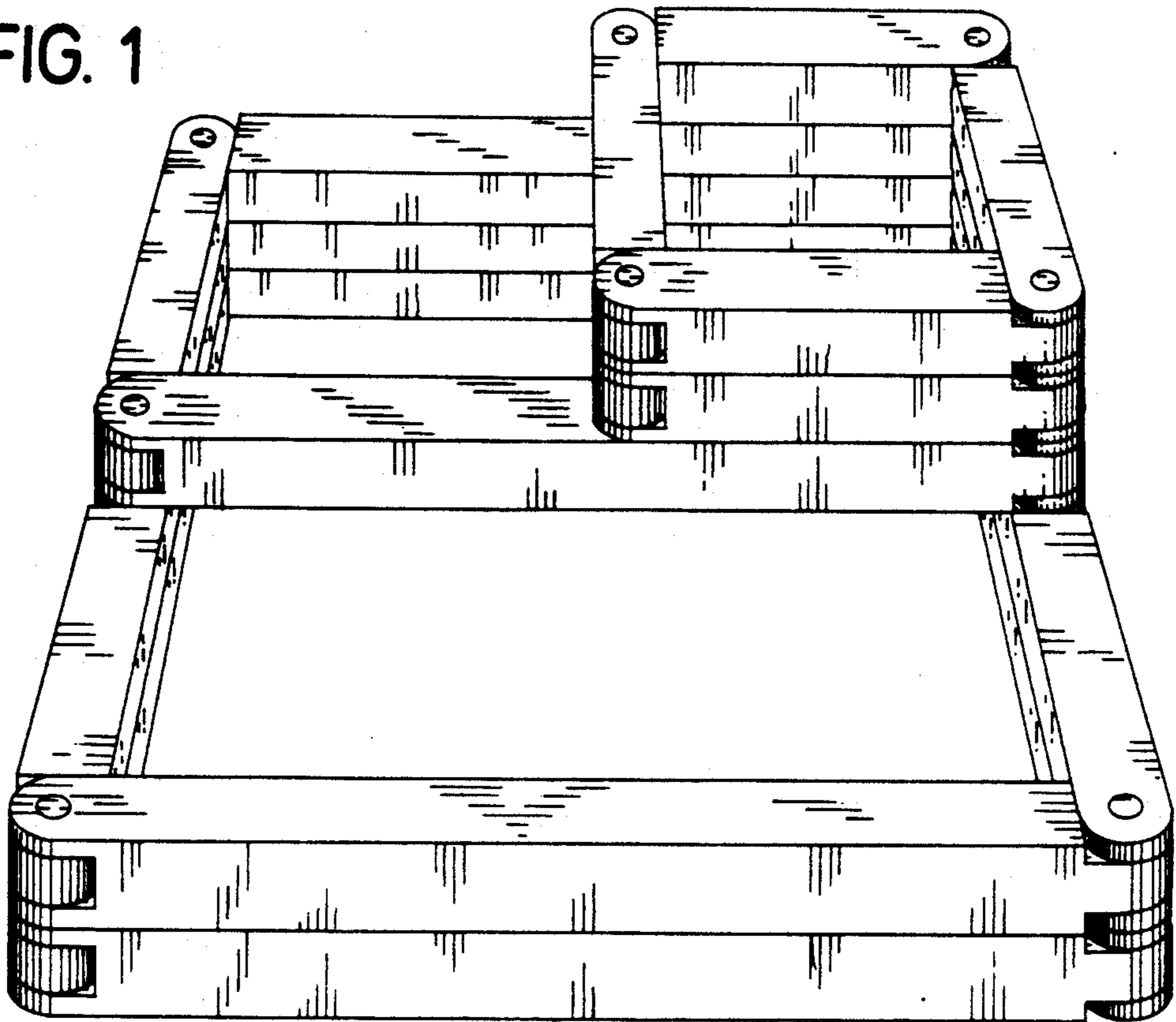


FIG. 2

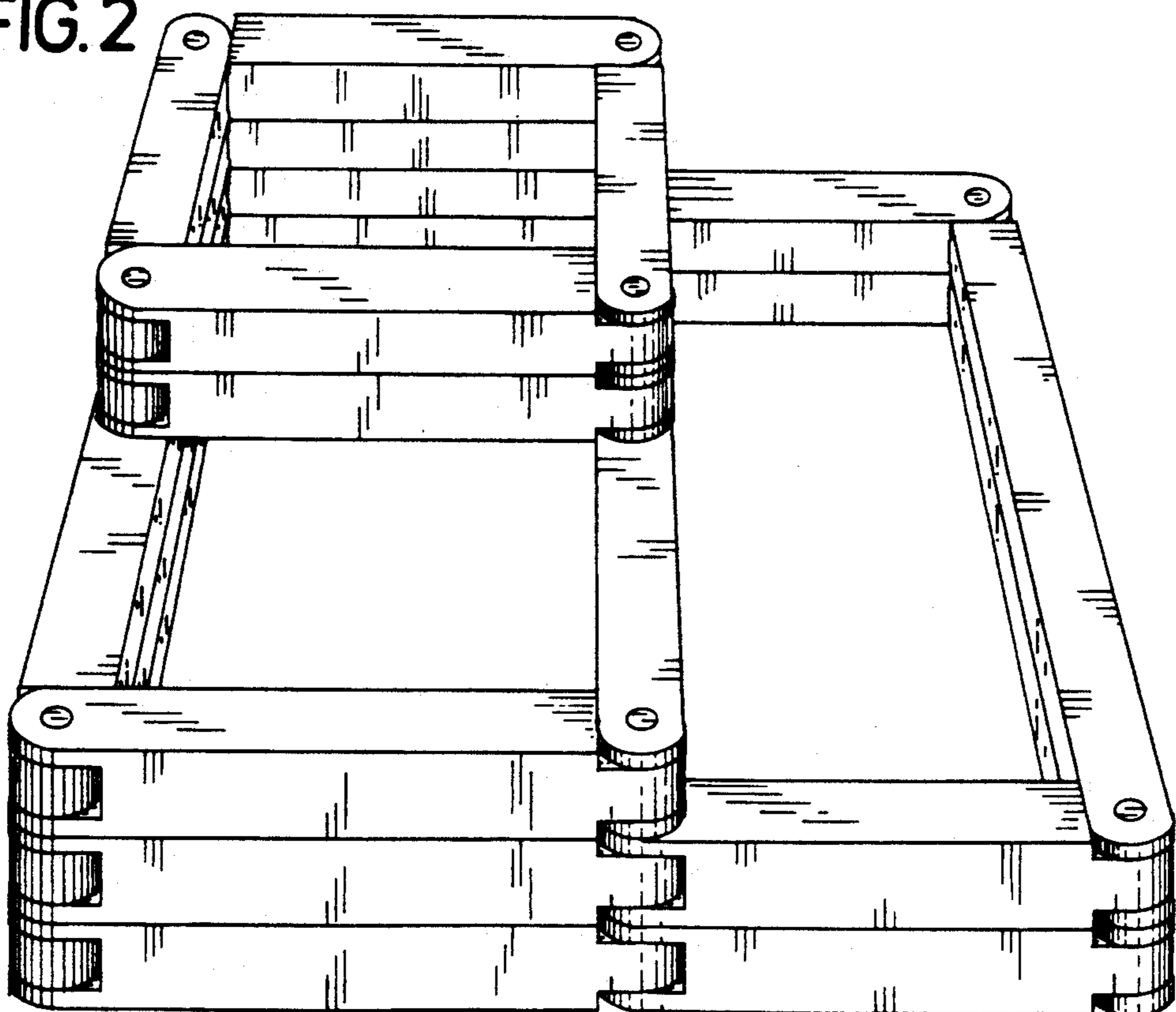


FIG. 3

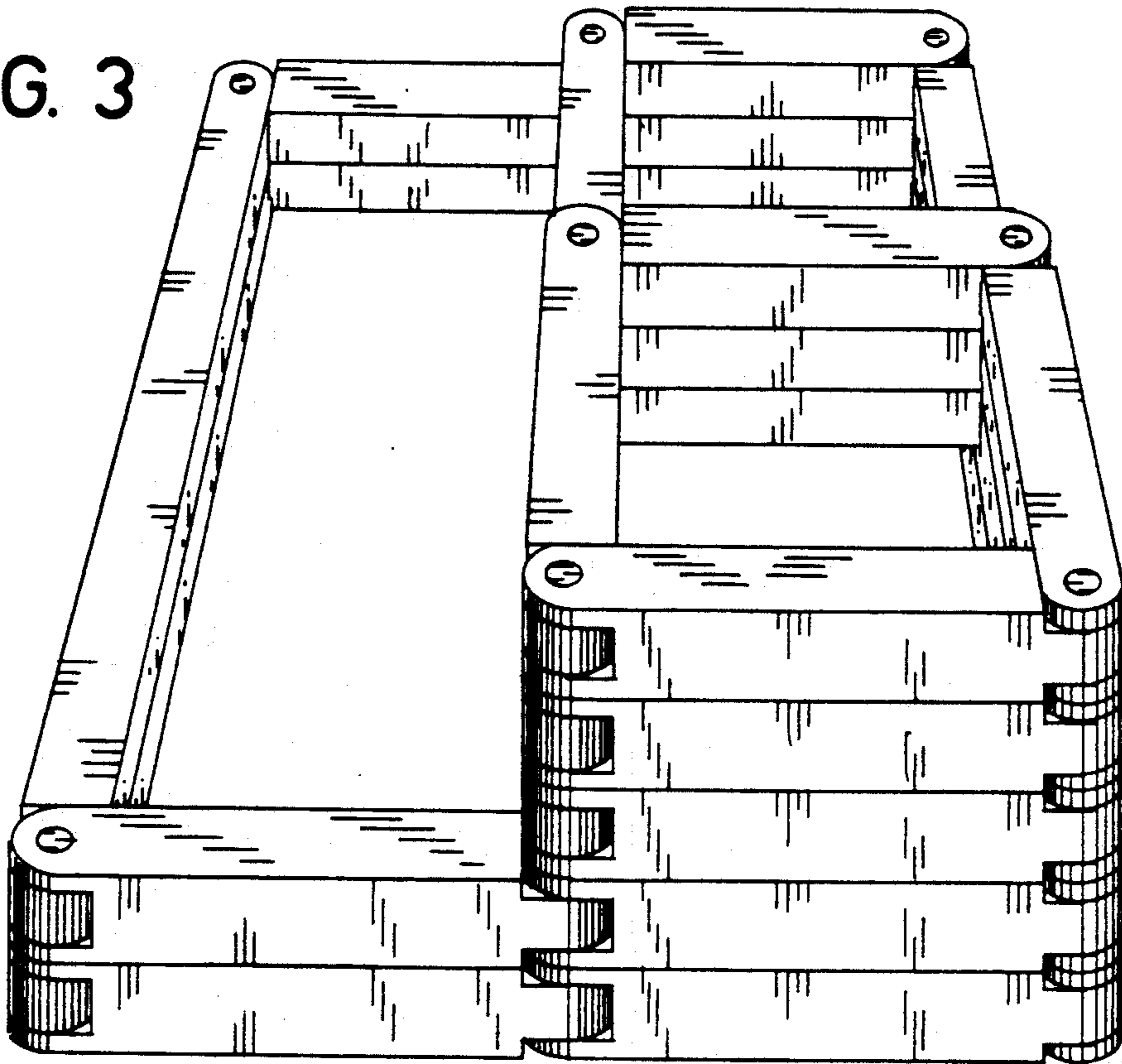


FIG. 4

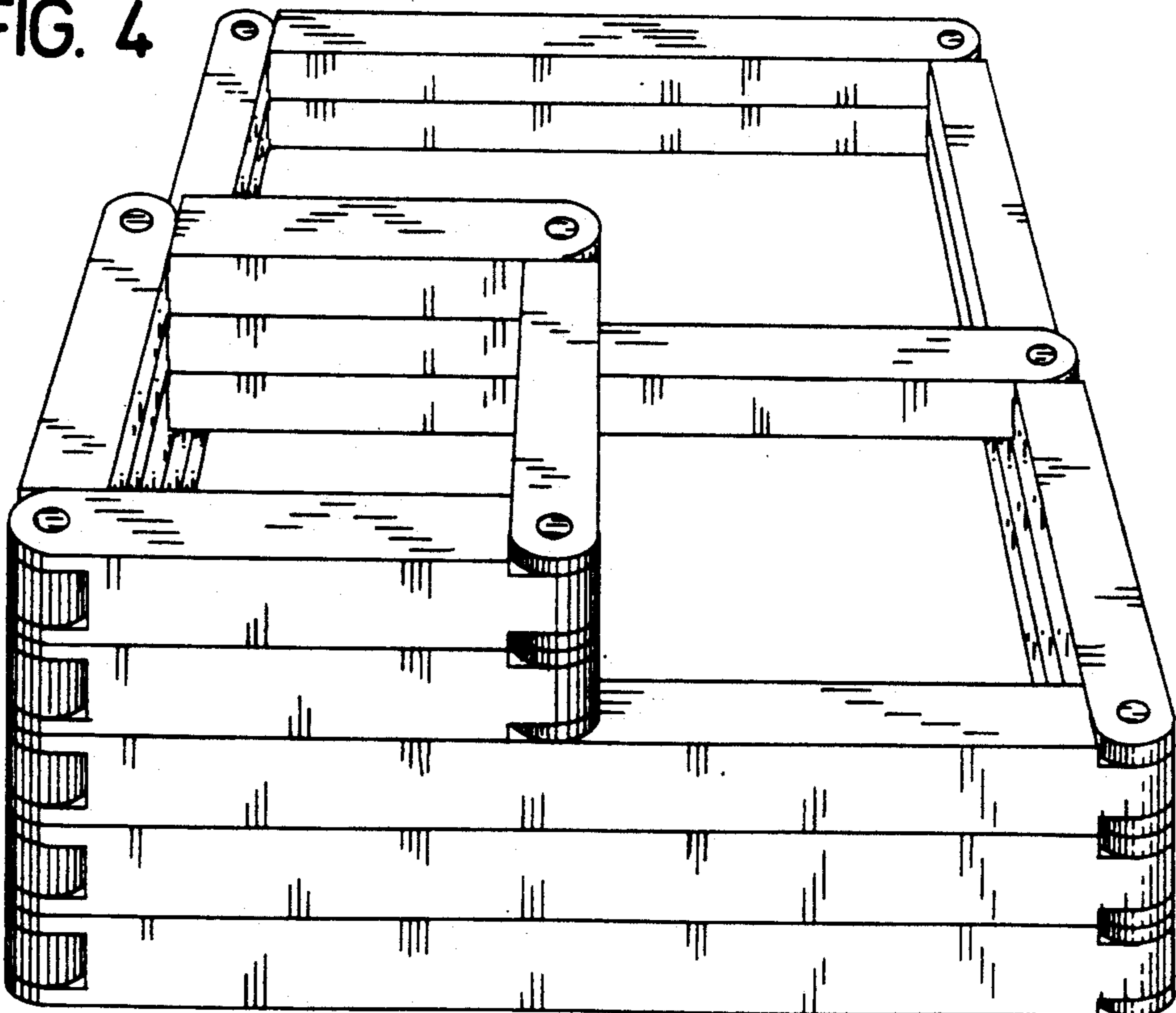


FIG. 5

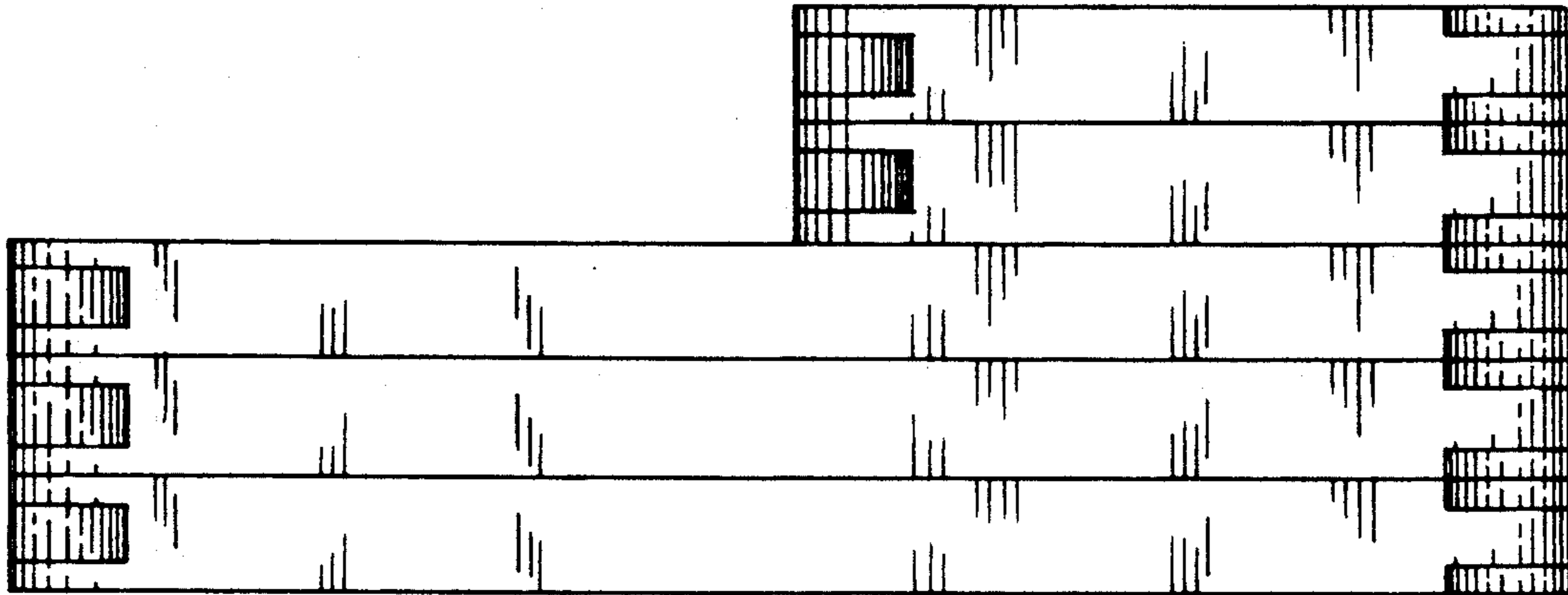


FIG. 6

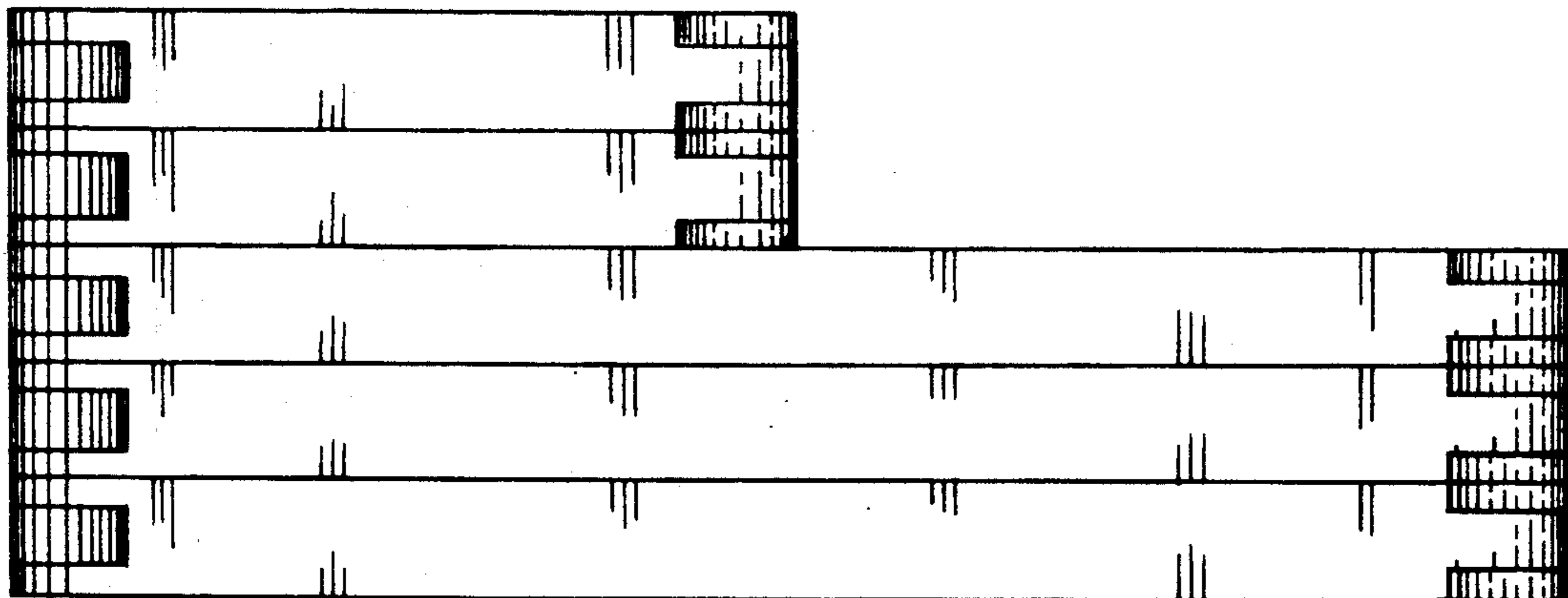


FIG. 7

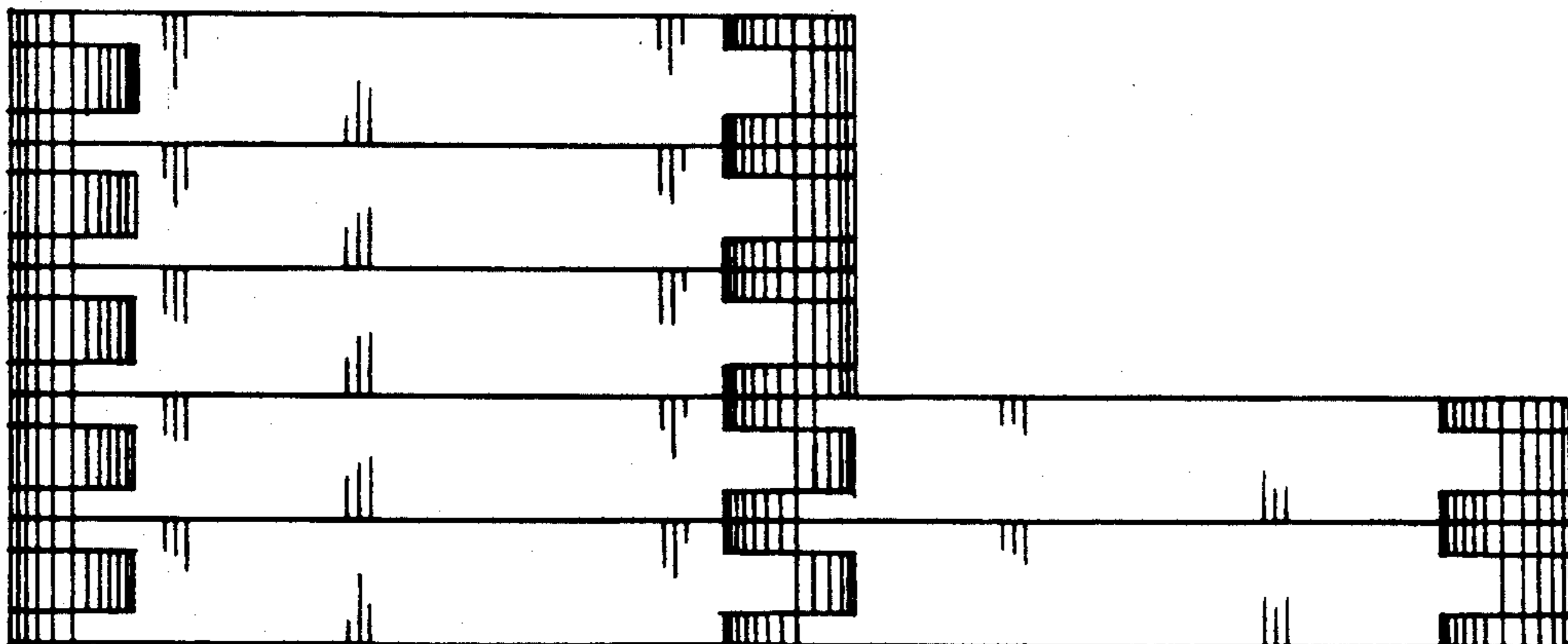


FIG. 8

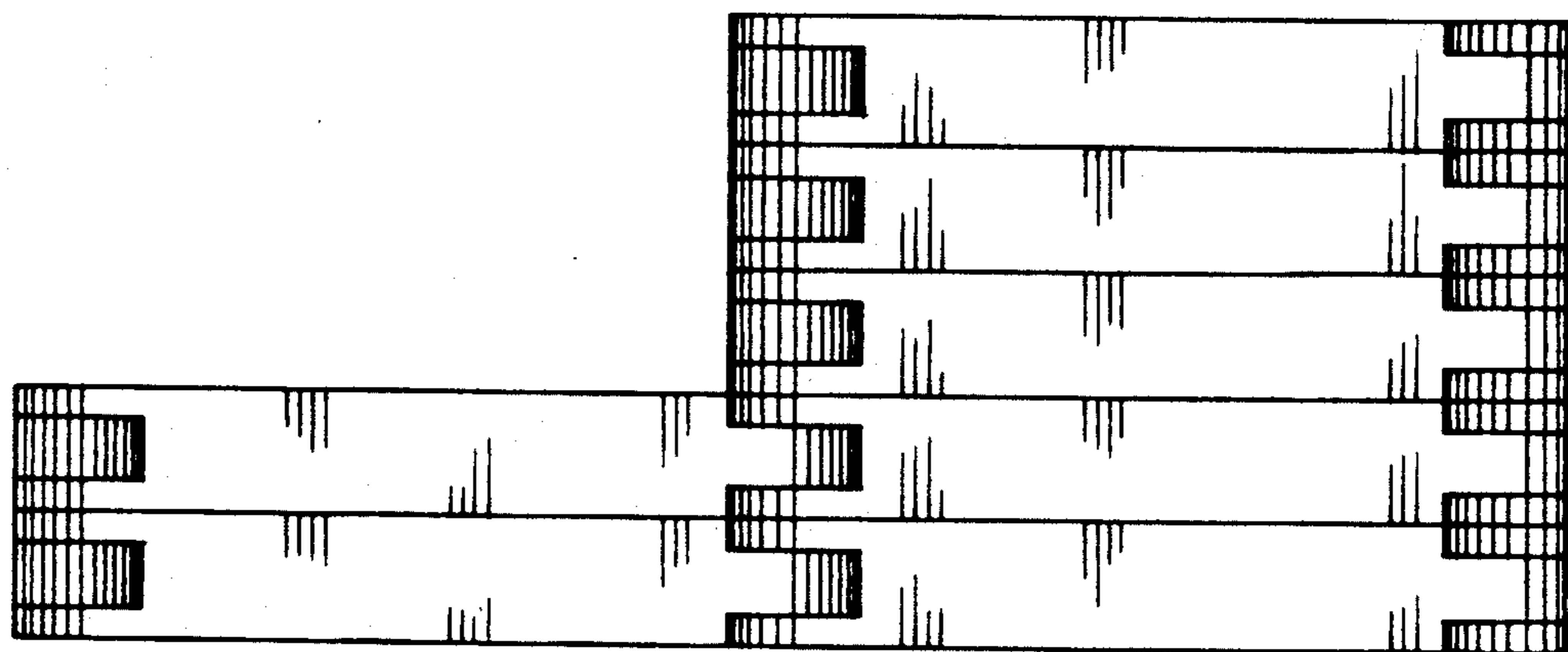


FIG. 9

