



US00D337917S

# United States Patent [19]

[11] Patent Number: **Des. 337,917**

**Barrault**

[45] Date of Patent: **\*\* Aug. 3, 1993**

[54] **ELECTRIC FOOD PROCESSOR**

D. 282,620 2/1986 Cavalli ..... D7/384  
D. 294,328 2/1988 Uesaka ..... D7/378  
D. 309,082 7/1990 Hattle et al. .... D7/384

[75] Inventor: **Jean-Louis Barrault,**  
Boulogne-Billancourt, France

*Primary Examiner*—Alan P. Douglas  
*Assistant Examiner*—Caron D. Veynar  
*Attorney, Agent, or Firm*—Young & Thompson

[73] Assignee: **Moulinex (Societe Anonyme),**  
Bagnolet, France

[\*\*] Term: **14 Years**

[57] **CLAIM**

[21] Appl. No.: **746,891**

The ornamental design for an electric food processor, as shown.

[22] Filed: **Aug. 19, 1991**

**DESCRIPTION**

[30] **Foreign Application Priority Data**

Mar. 6, 1991 [FR] France ..... 911351

FIG. 1 is a front, side and top perspective view of an electric food processor showing my new design;  
FIG. 2 is a front elevational view thereof;  
FIG. 3 is a rear elevational view thereof;  
FIG. 4 is a side elevational view thereof from the right of FIG. 2;  
FIG. 5 is a side elevational view thereof from the left of FIG. 2;  
FIG. 6 is a top plan view thereof; and,  
FIG. 7 is a bottom plan view thereof.

[52] U.S. Cl. .... **D7/384; D7/376**

[58] Field of Search ..... **D7/376, 378, 381, 383, D7/384, 386, 412; 241/92, 282.1, 282.2, 37.5**

[56] **References Cited**

**U.S. PATENT DOCUMENTS**

D. 250,568 12/1978 Belinkoff ..... D7/384

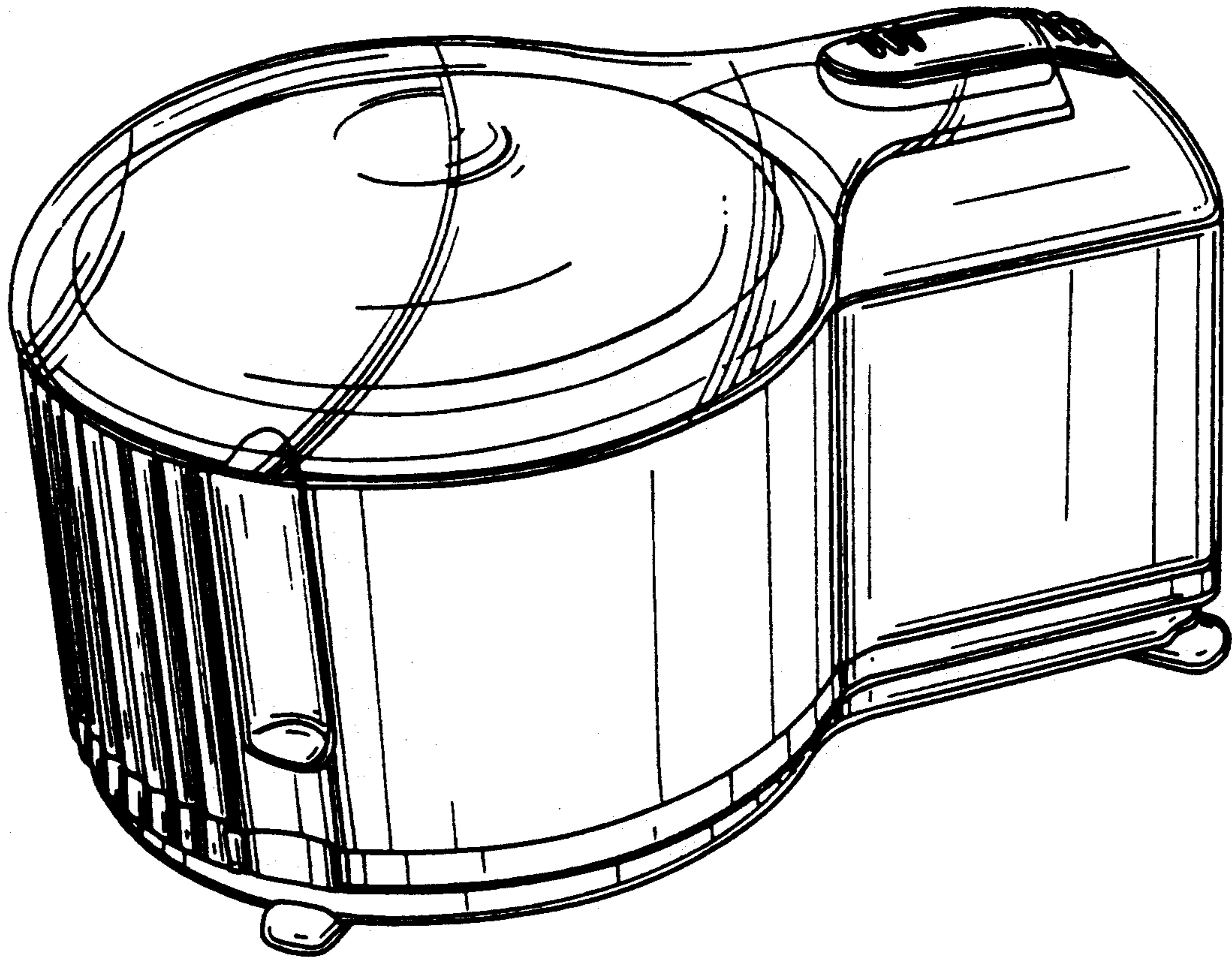
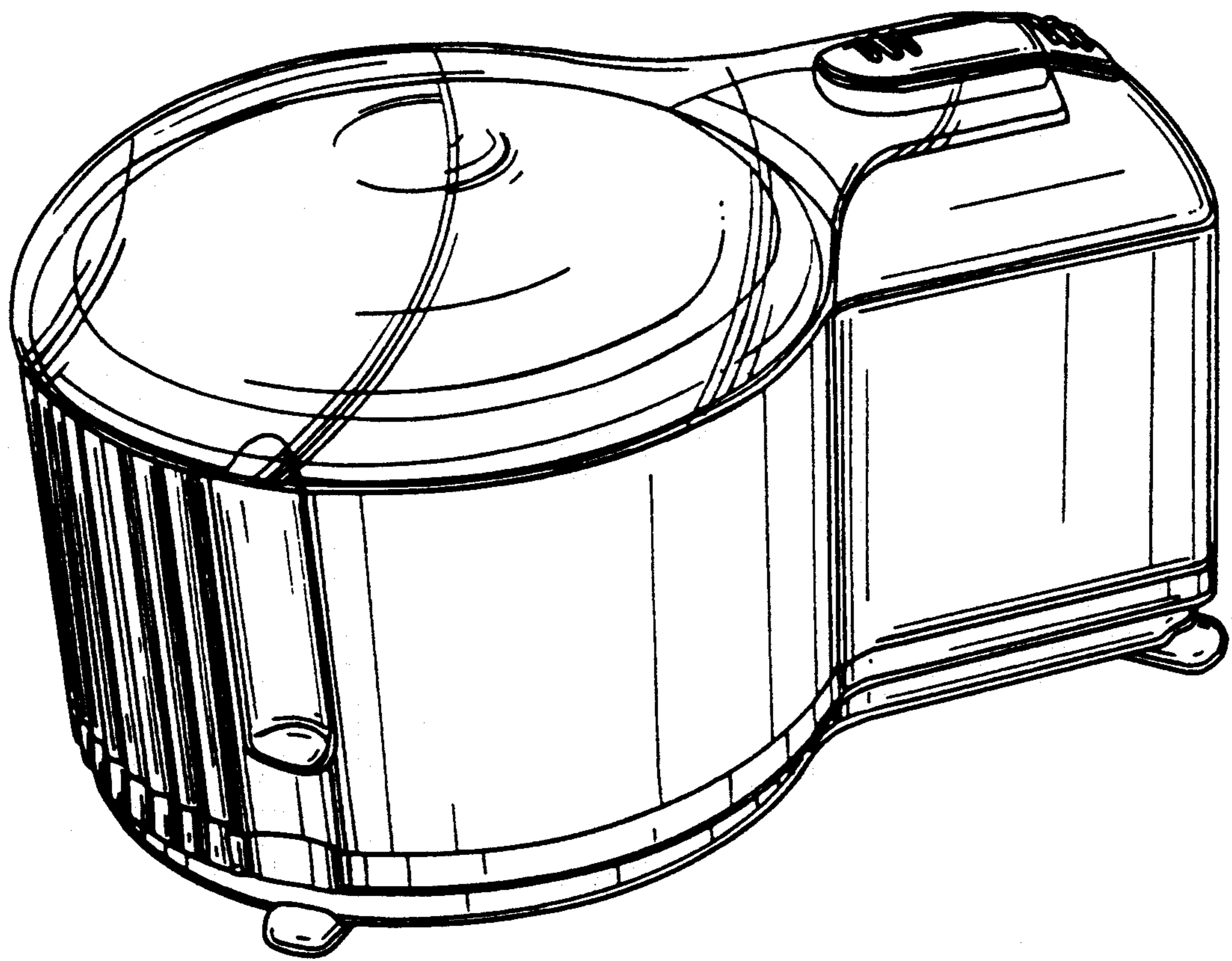


FIG. 1



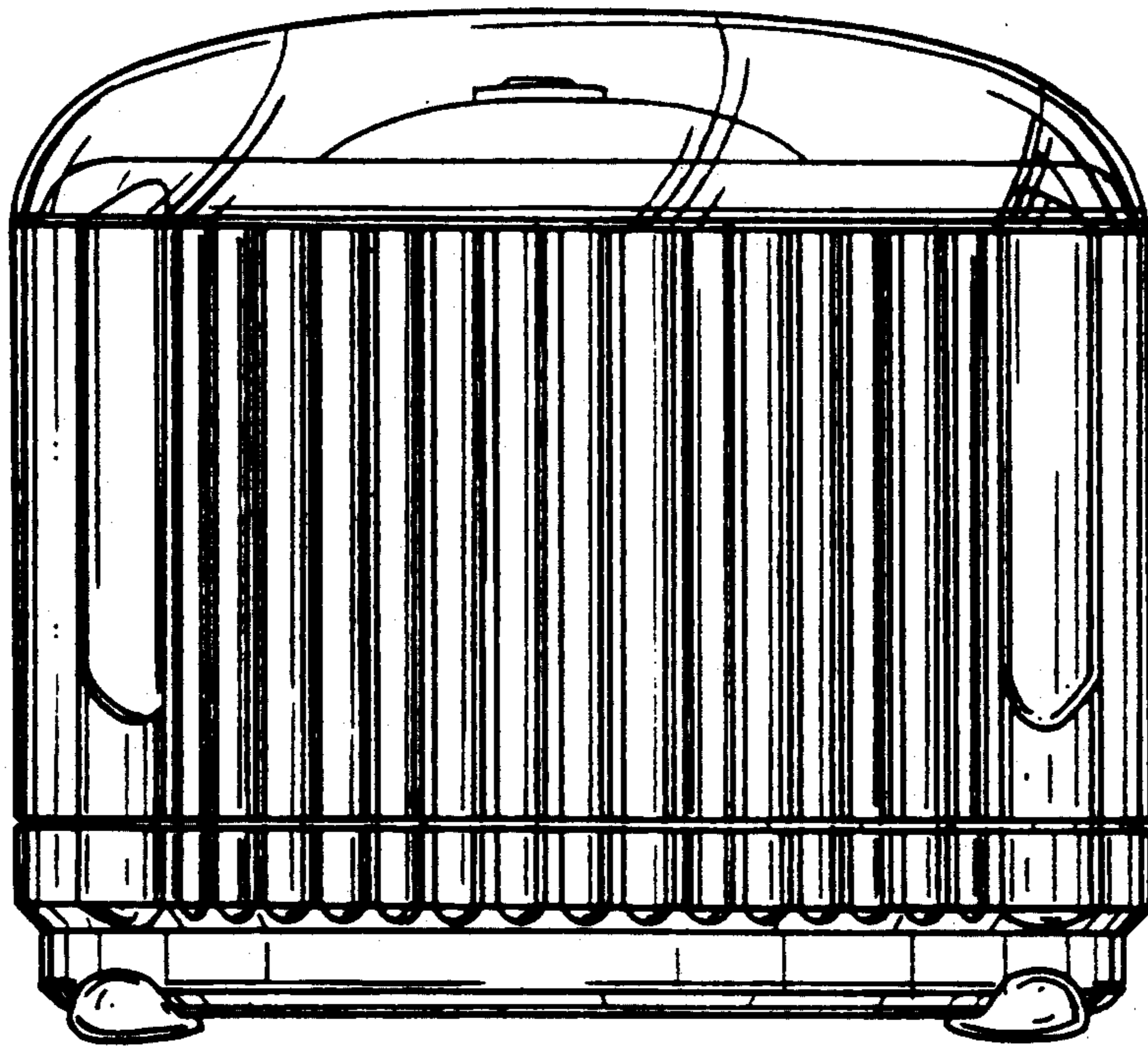


FIG. 2

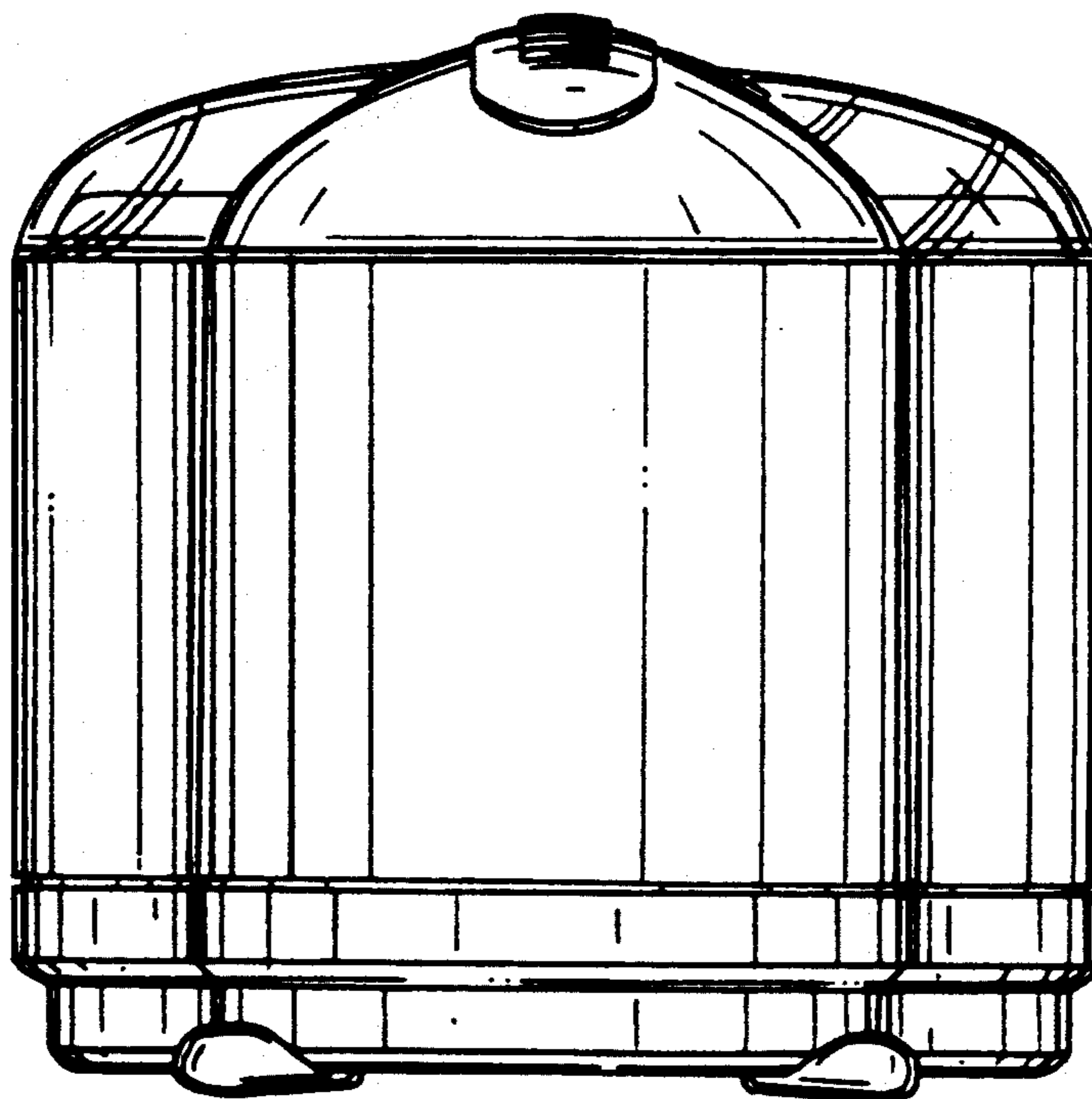


FIG. 3

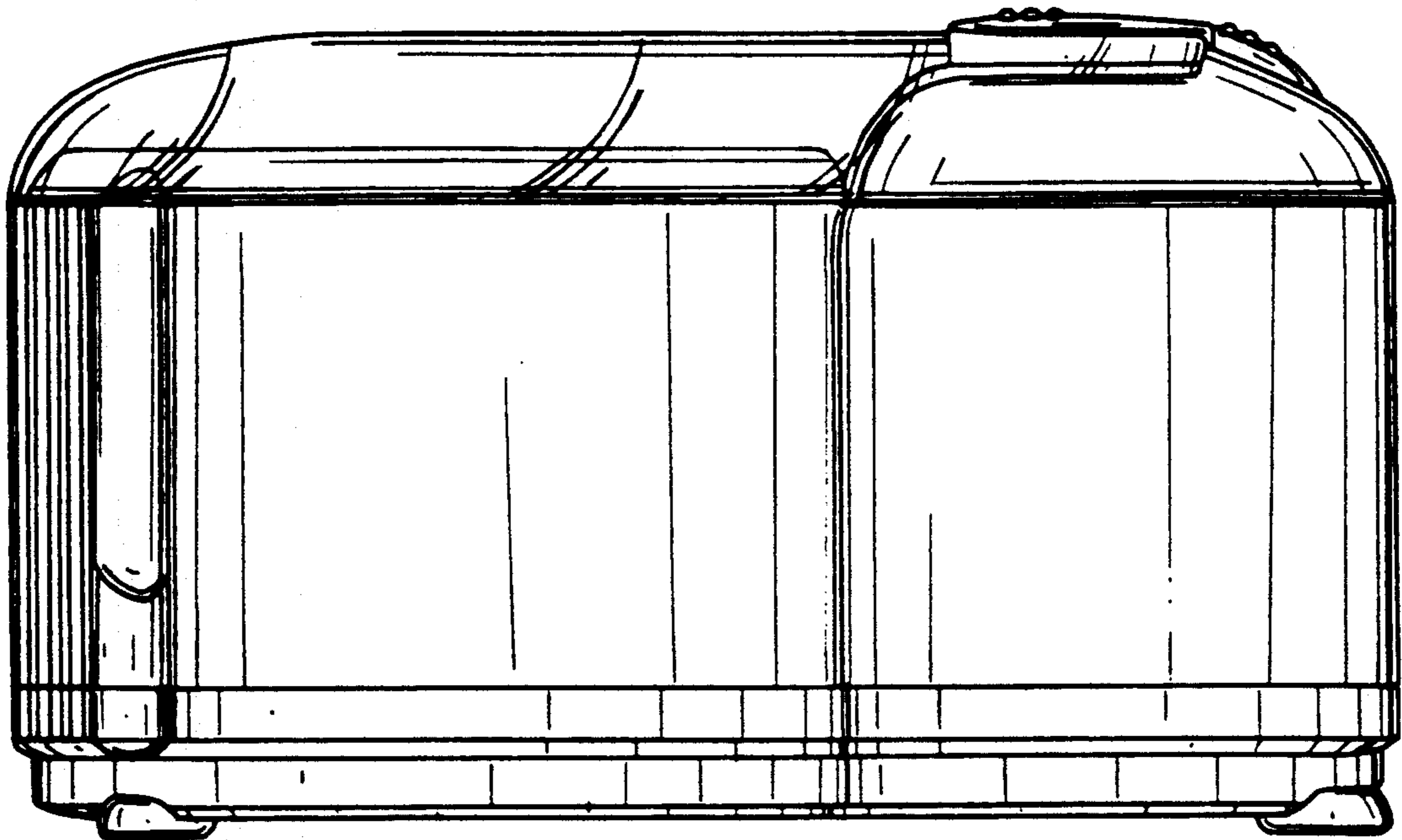


FIG. 4

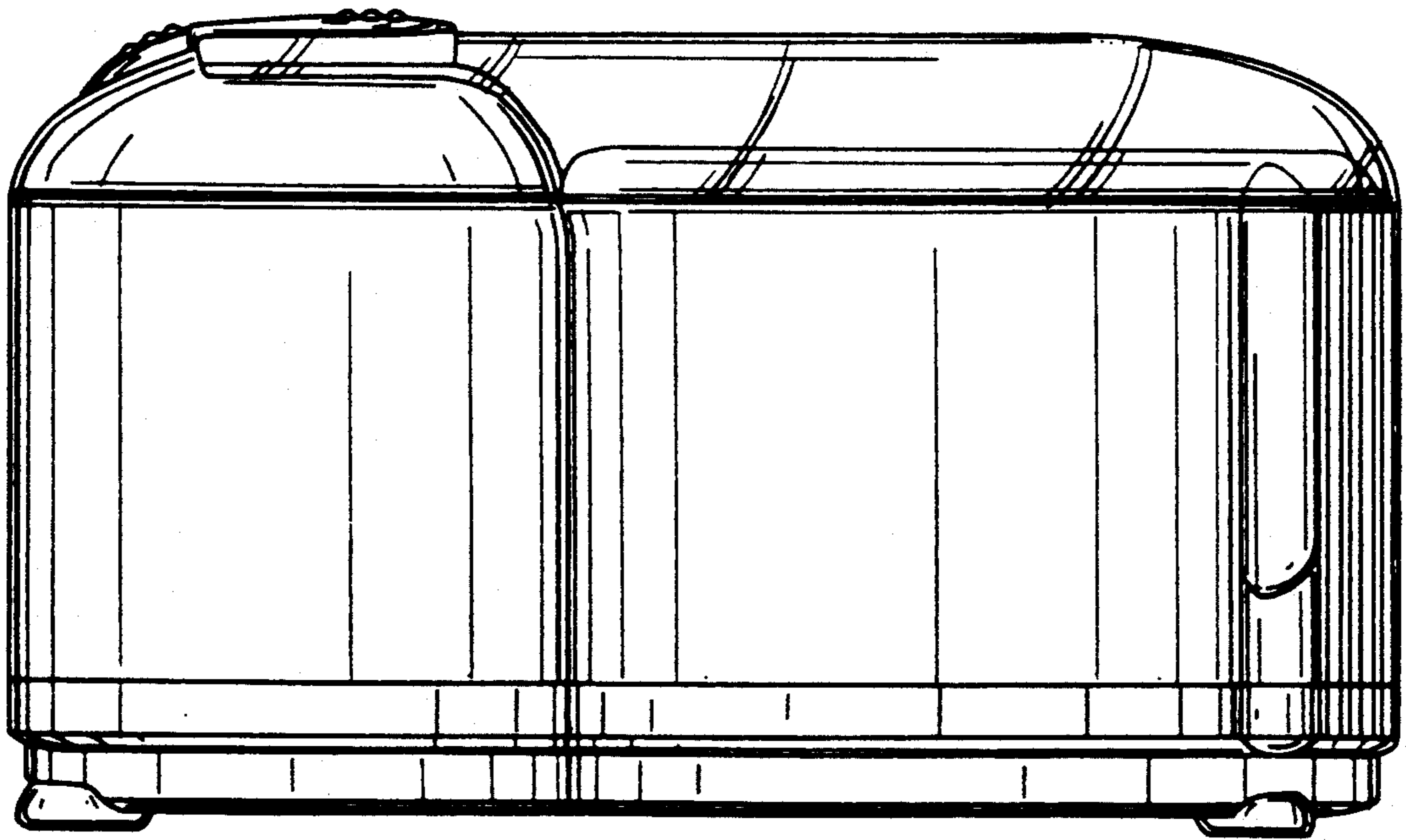


FIG. 5

FIG. 6

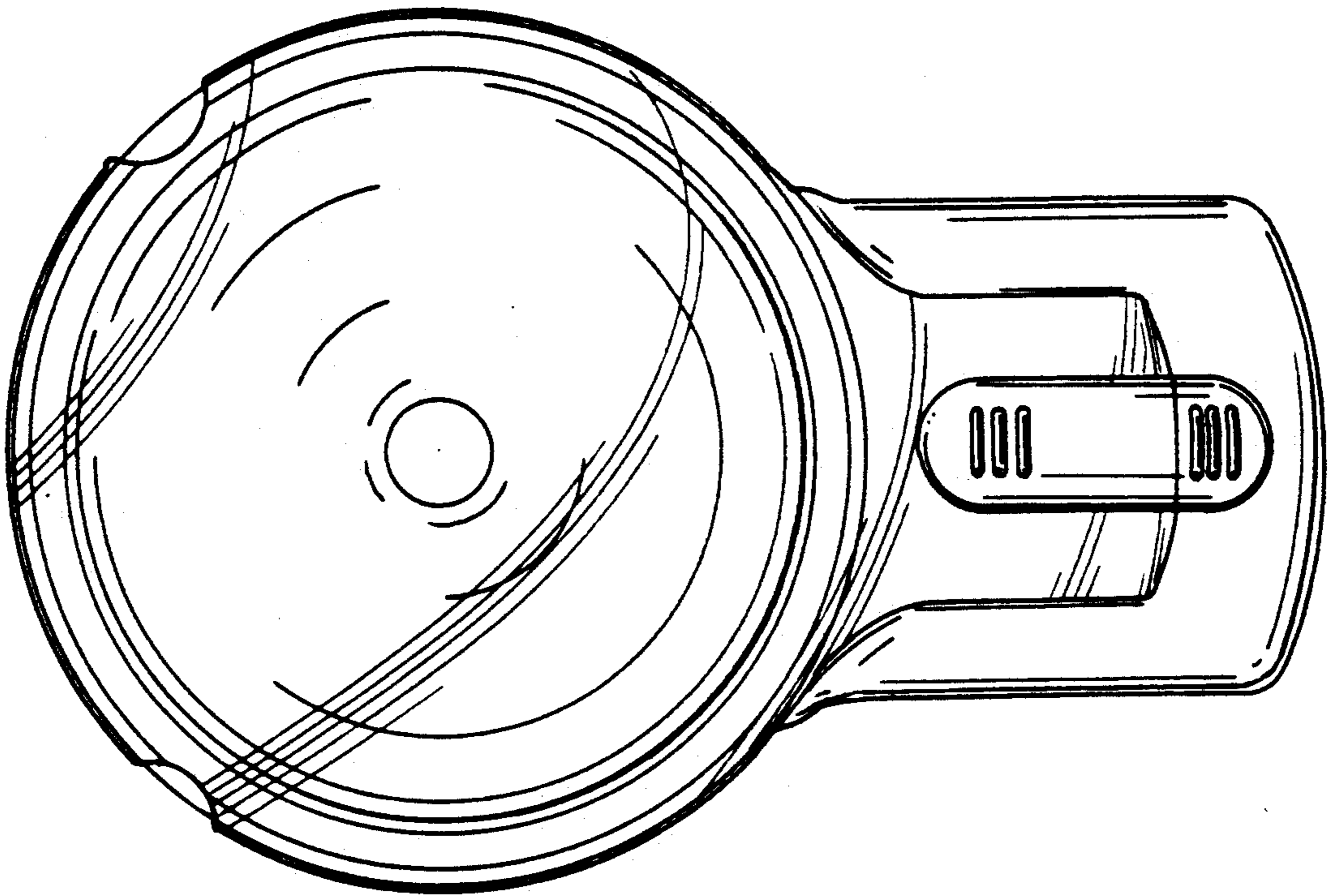


FIG. 7

