



US00D337915S

# United States Patent [19]

[11] Patent Number: **Des. 337,915**

**Kahlcke**

[45] Date of Patent: **\*\* Aug. 3, 1993**

[54] **COMBINED COFFEE AND ESPRESSO MACHINE**

- D. 313,918 1/1991 Bolivar ..... D7/309
- D. 316,004 4/1991 Eugster ..... D7/310 X
- D. 317,996 7/1991 Jack ..... D7/309
- D. 318,973 8/1991 Hasslacher ..... D7/309 X
- 4,852,474 8/1989 Mahlich et al. .... 99/293

[75] Inventor: **Hartwig Kahlcke, Kronberg, Fed. Rep. of Germany**

*Primary Examiner*—Alan P. Douglas  
*Assistant Examiner*—M. N. Pandozzi  
*Attorney, Agent, or Firm*—Peter K. Kontler

[73] Assignee: **Robert Krups GmbH & Co. KG., Solingen, Fed. Rep. of Germany**

[\*\*] Term: **14 Years**

### [57] CLAIM

[21] Appl. No.: **645,967**

The ornamental design for a combined coffee and espresso machine, as shown and described.

[22] Filed: **Jan. 24, 1991**

### DESCRIPTION

[52] U.S. Cl. .... **D7/308; D7/309; D7/312**

[58] Field of Search ..... **D7/313, 311, 308, 305, D7/306, 307, 300, 309, 312, 310; 99/300, 323.3, 323.1, 292, 293, 294, 306**

FIG. 1 is a front left-hand perspective view of a combined coffee and espresso machine showing my new design;

FIG. 2 is a front elevational view thereof;

FIG. 3 is a bottom plan view thereof;

FIG. 4 is a rear elevational view thereof;

FIG. 5 is a top plan view thereof;

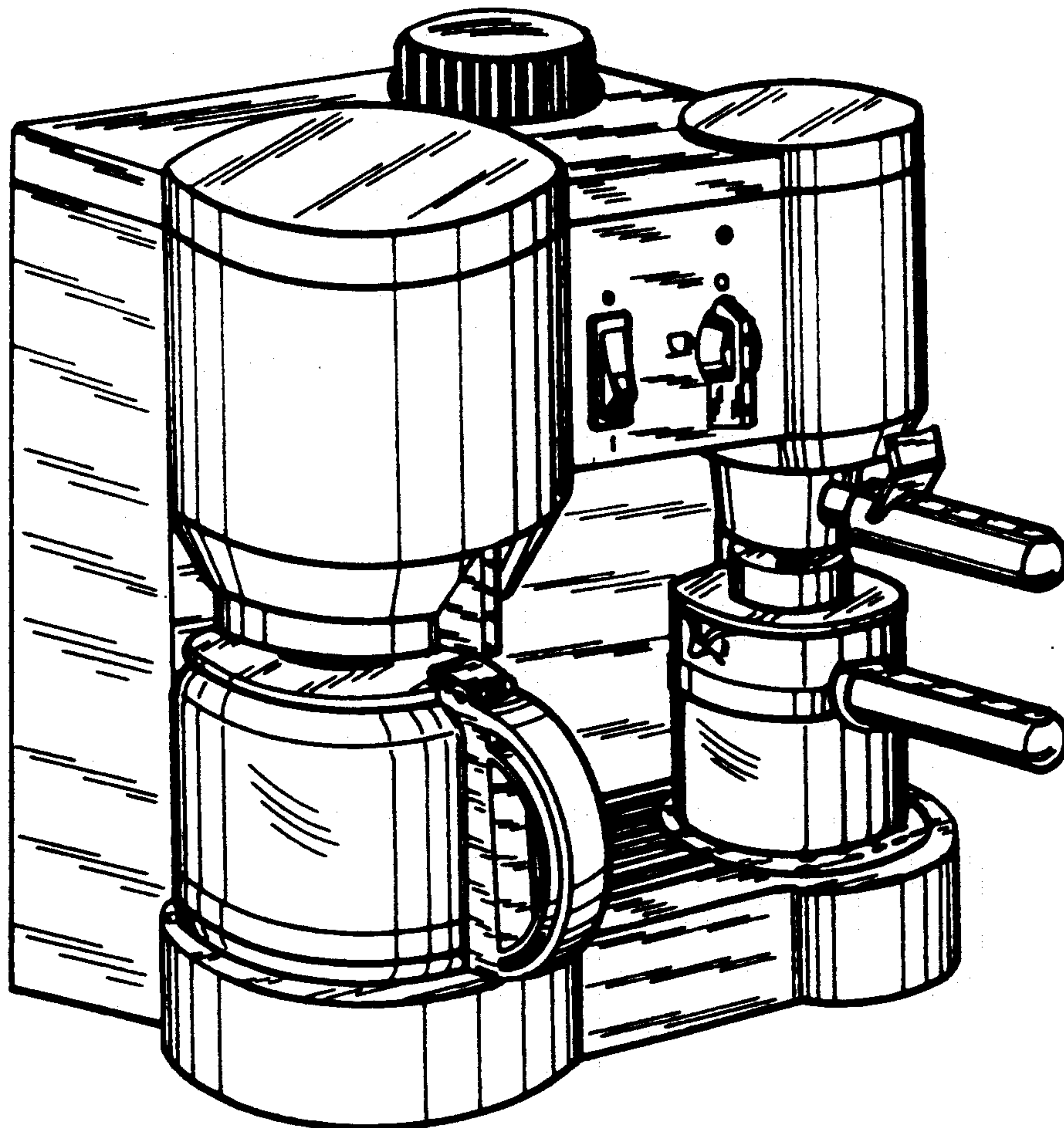
FIG. 6 is a left-hand side elevational view thereof; and,

FIG. 7 is a right-hand side elevational view thereof.

### [56] References Cited

#### U.S. PATENT DOCUMENTS

- D. 295,486 5/1988 Eugster et al. .... D7/312 X
- D. 299,998 2/1989 Seiffert ..... D7/311 X



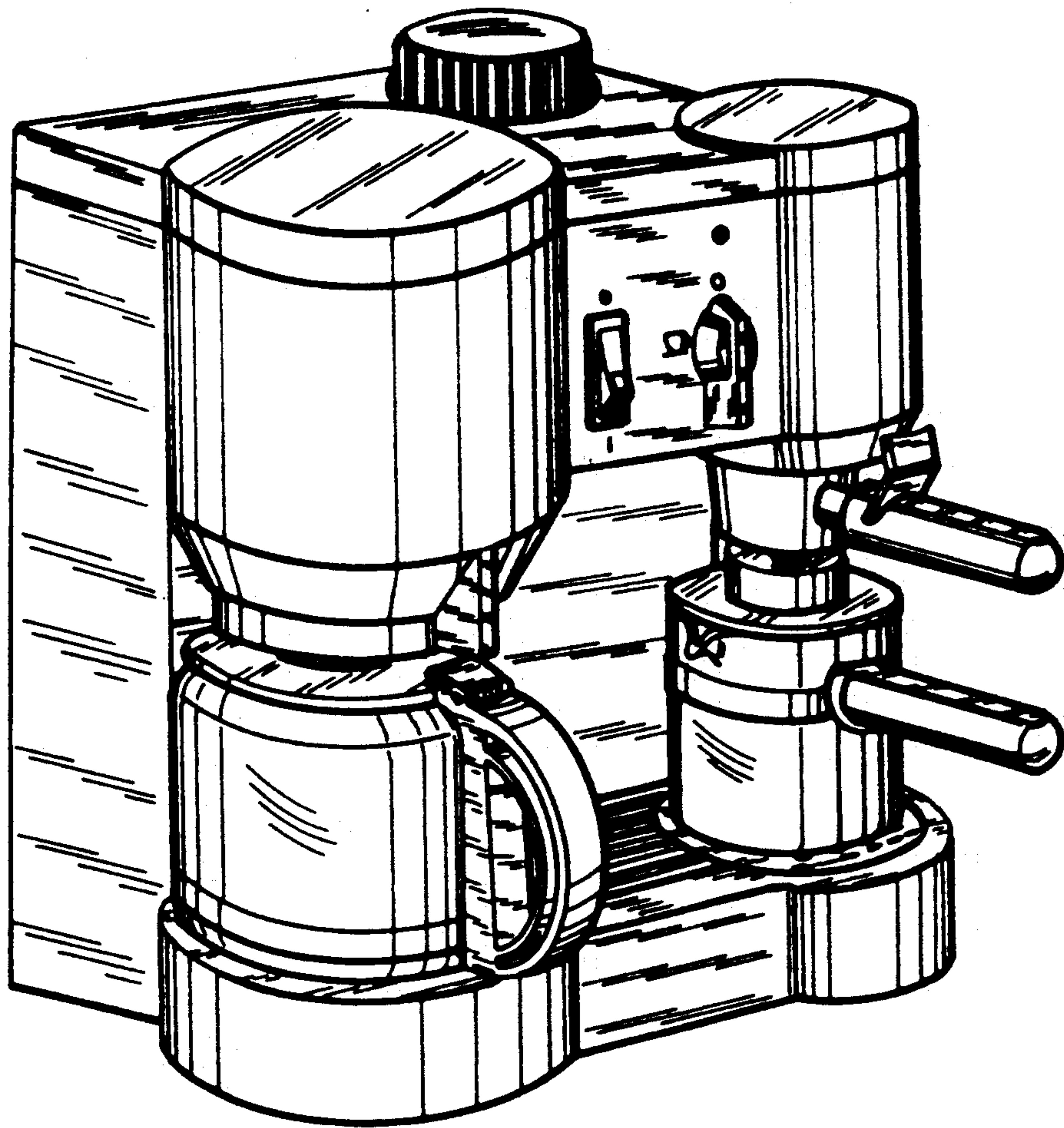
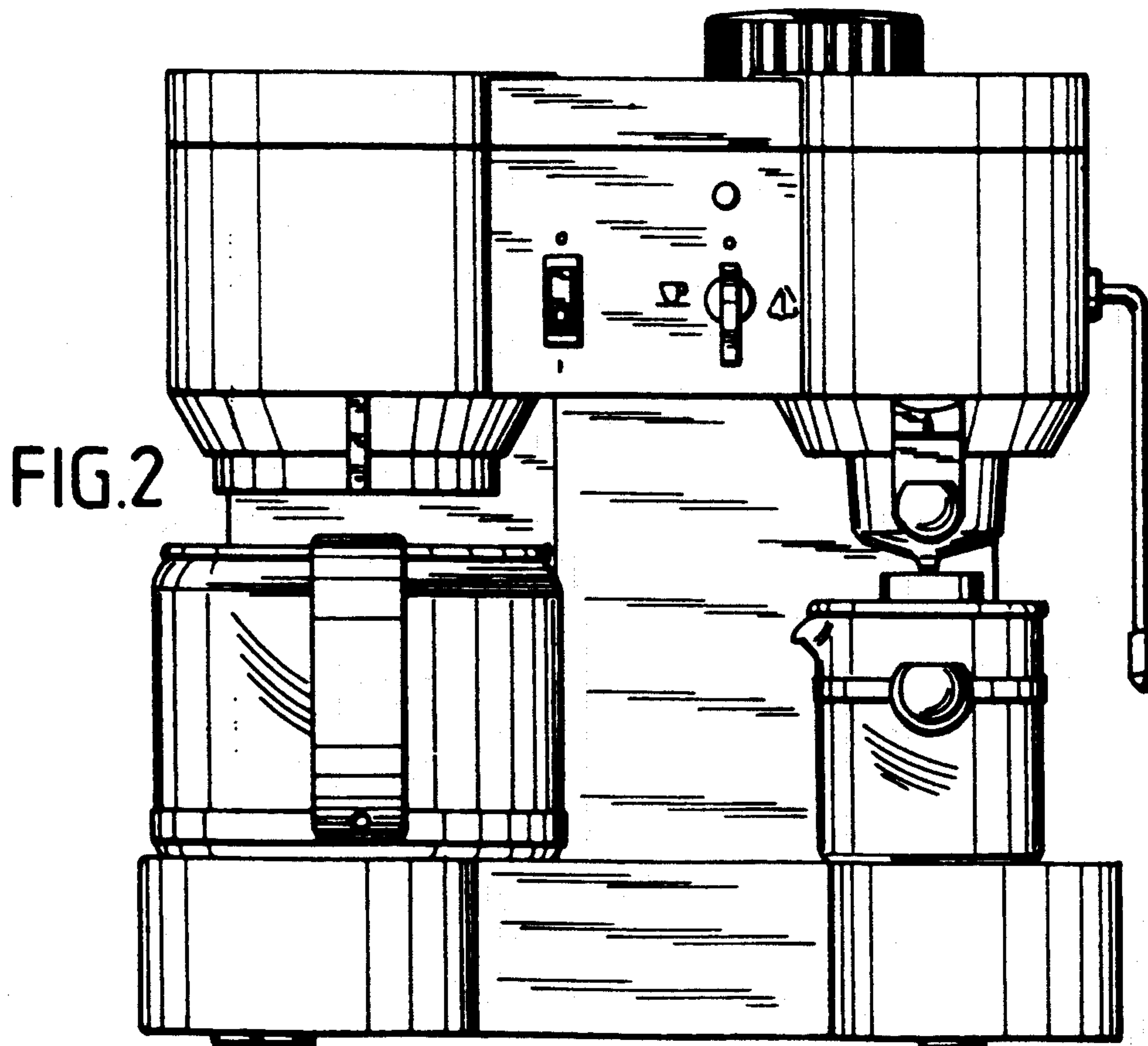
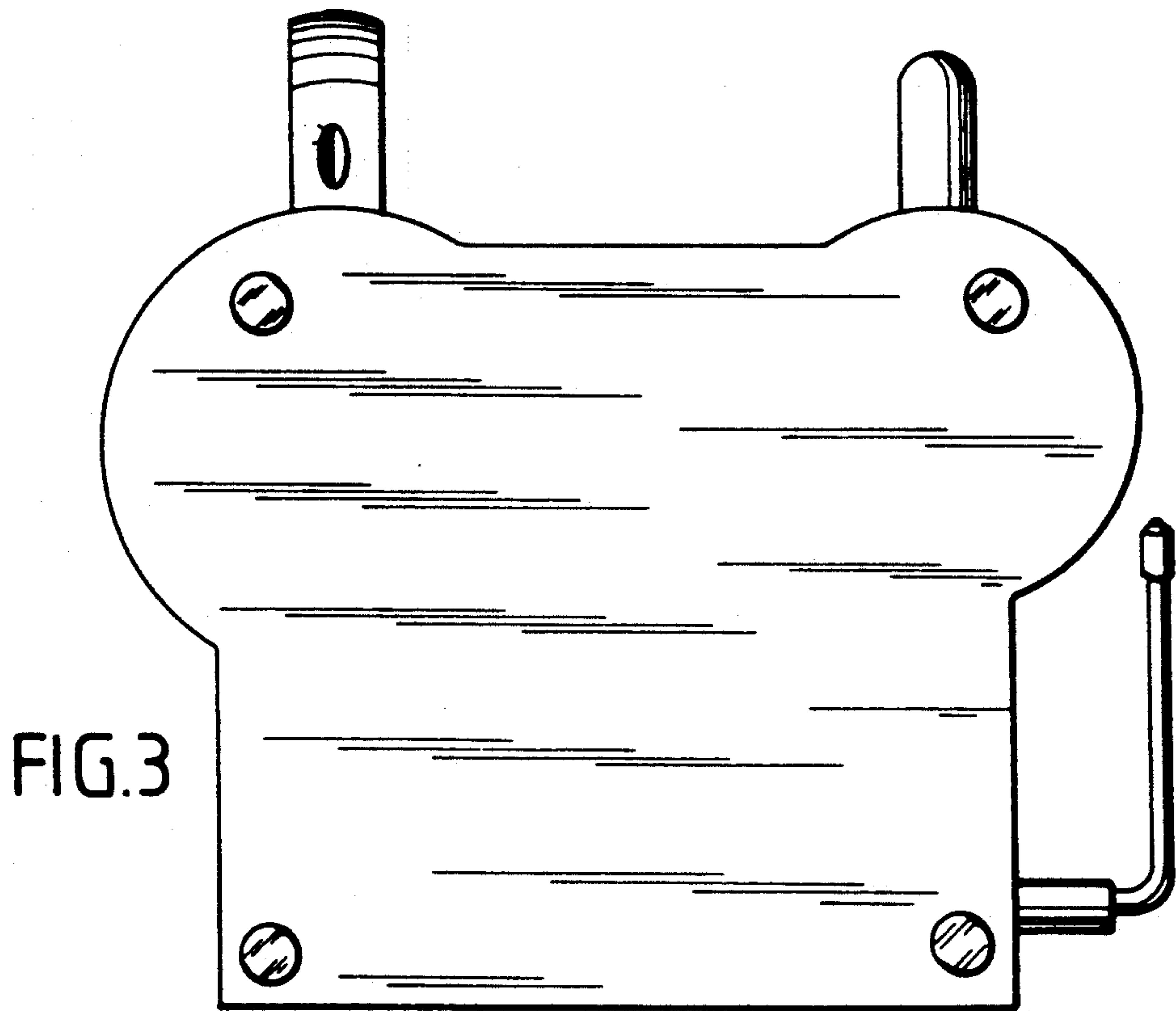
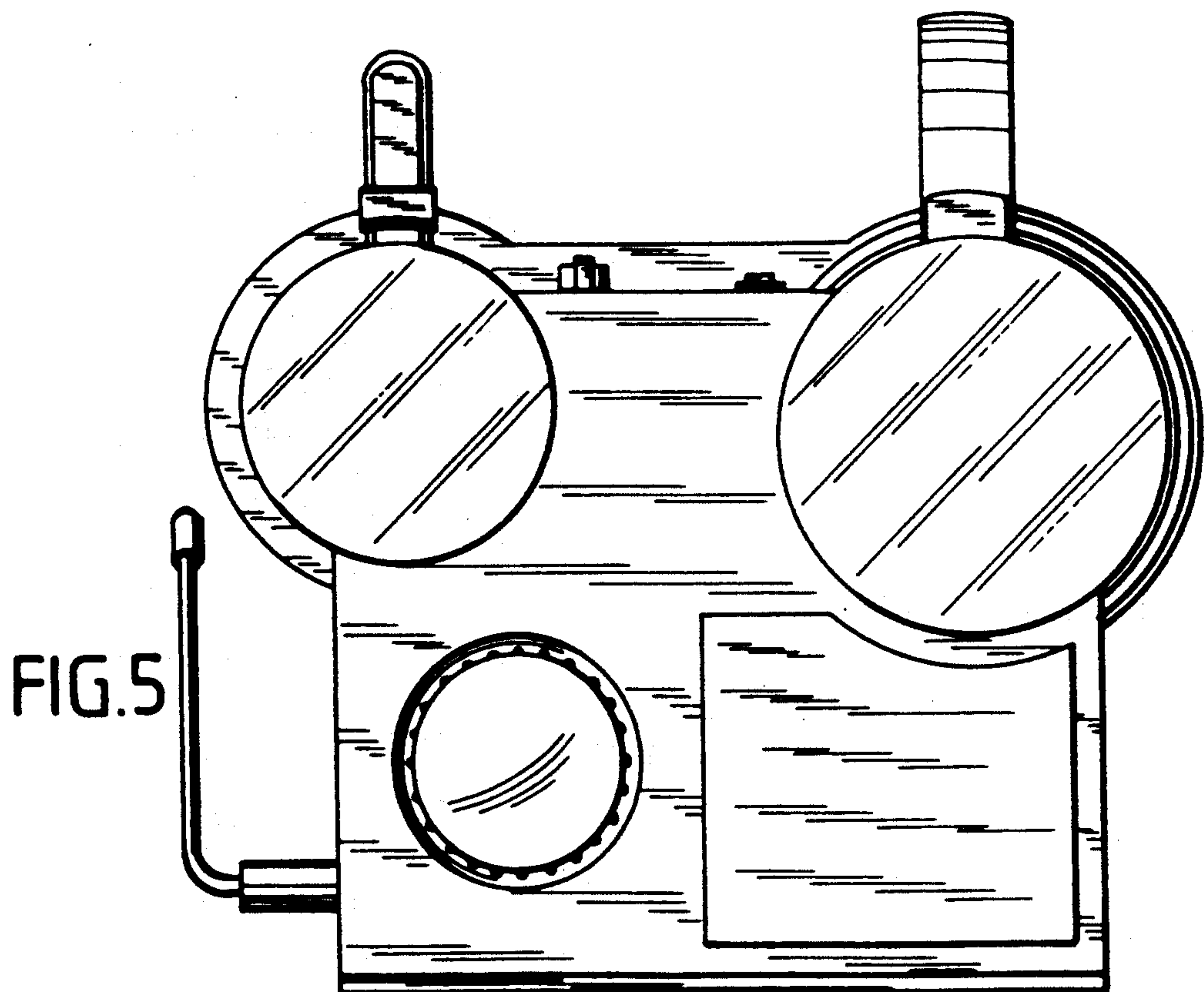
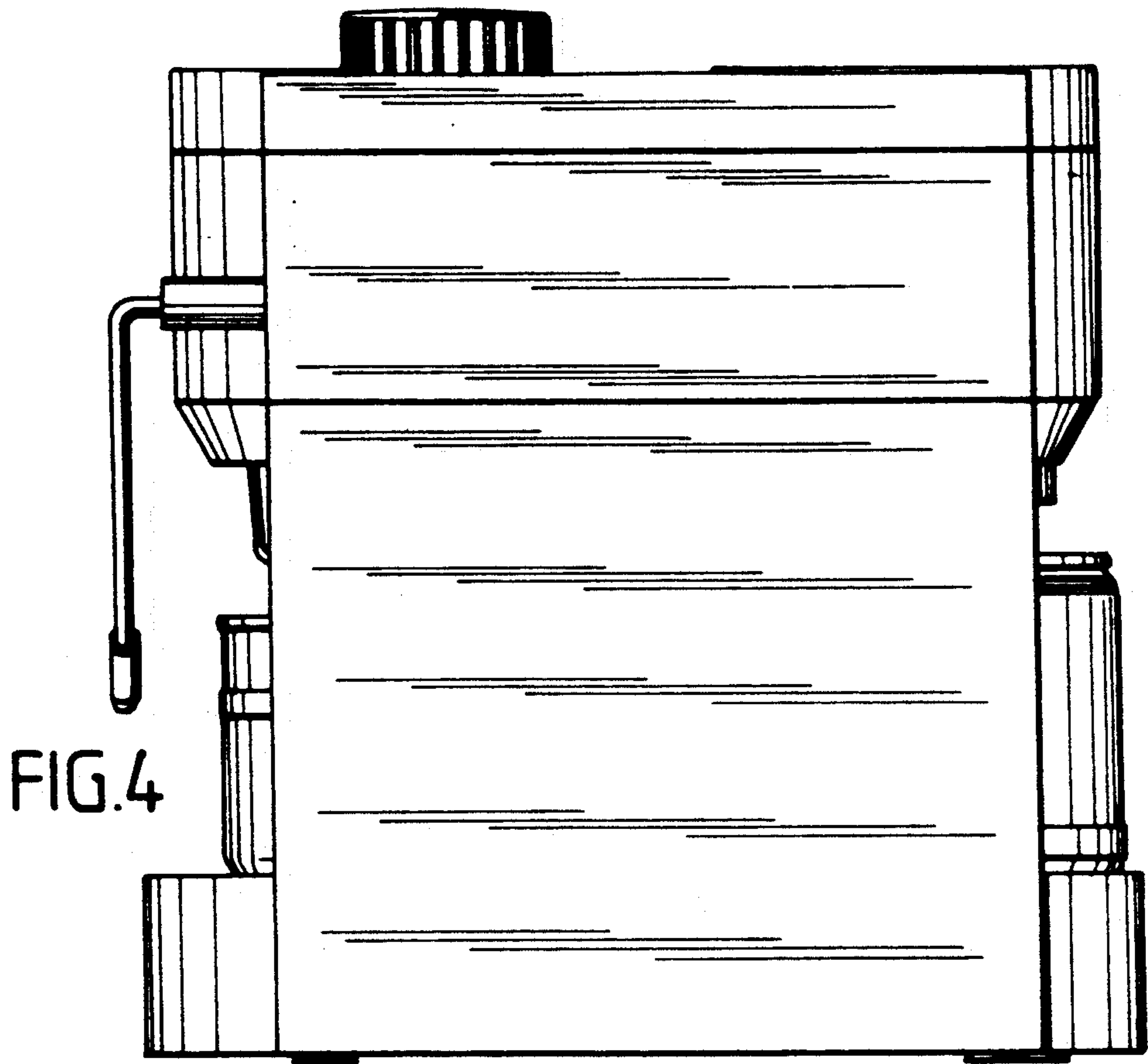


FIG.1







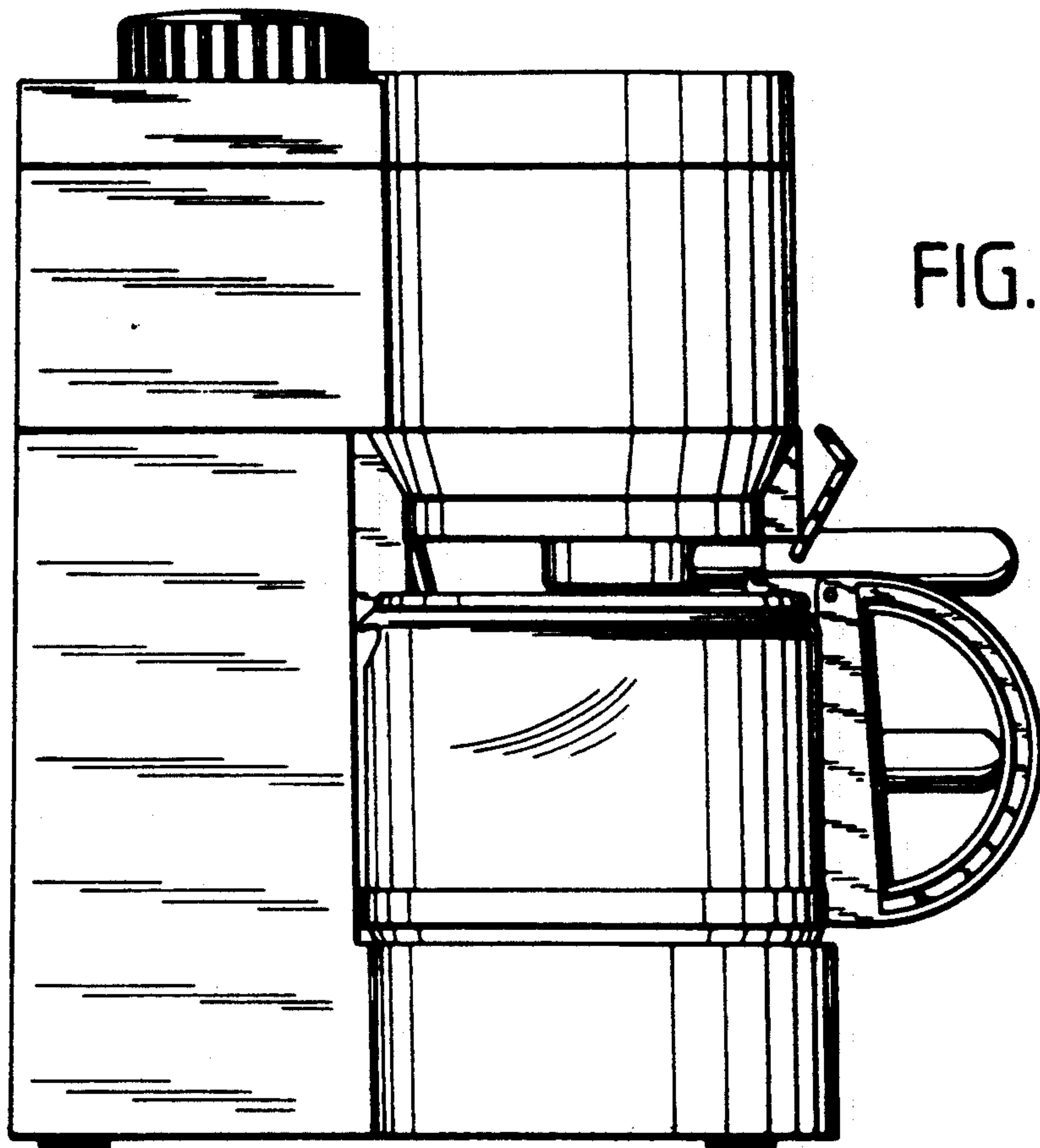


FIG. 6

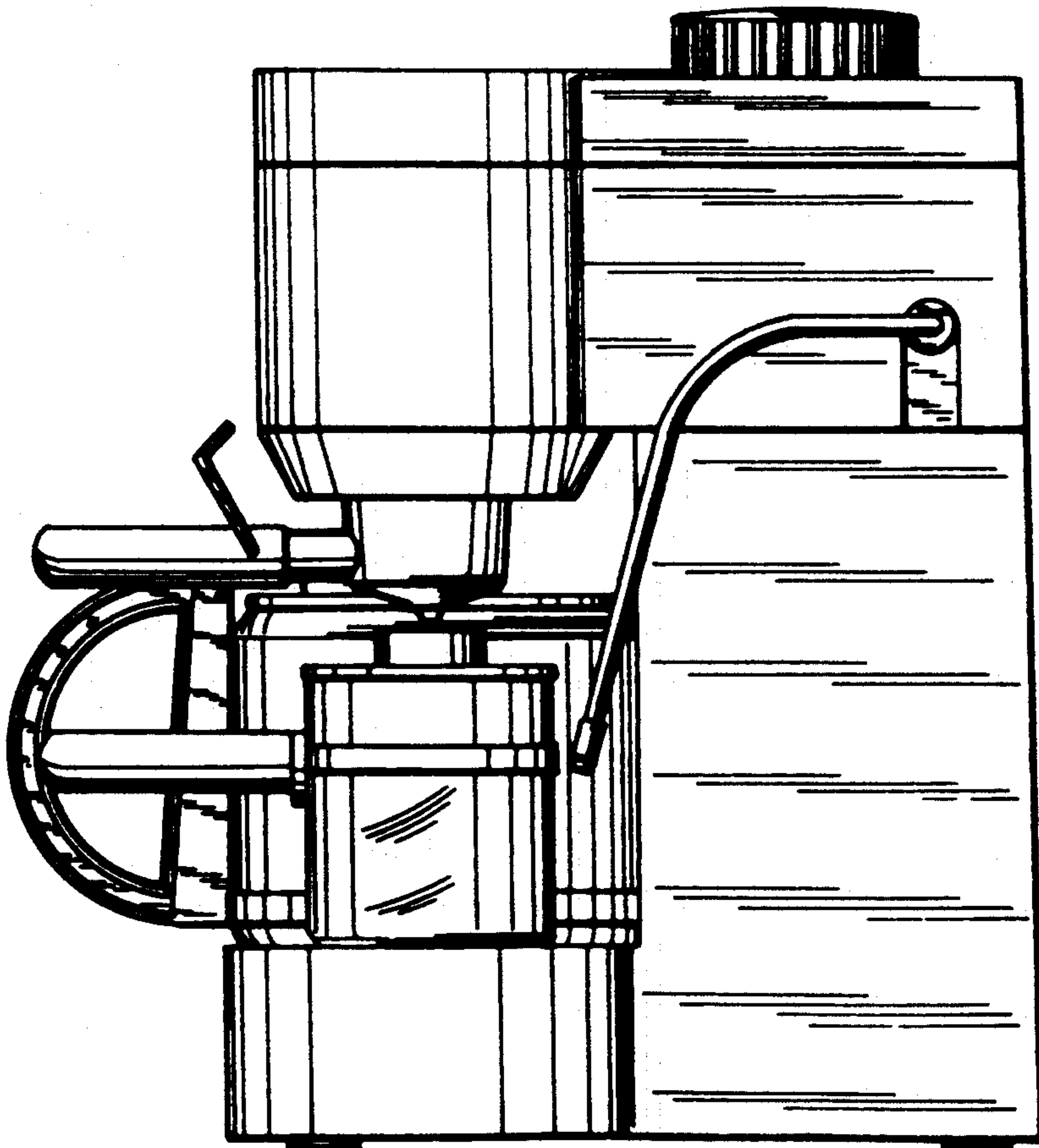


FIG. 7