



US00D337914S

United States Patent [19]
McDonald

[11] **Patent Number: Des. 337,914**

[45] **Date of Patent: ** Aug. 3, 1993**

[54] **FACIAL PRONE PILLOW**

[75] **Inventor: Jack D. McDonald, Pensacola, Fla.**

[73] **Assignee: Florida Foam Fabricators, Inc., Pensacola, Fla.**

[**] **Term: 14 Years**

[21] **Appl. No.: 897,978**

[22] **Filed: Jun. 15, 1992**

[52] **U.S. Cl. D6/601; D6/596; D6/595**

[58] **Field of Search D6/595, 596, 601; 5/638, 636**

[56] **References Cited**

U.S. PATENT DOCUMENTS

D. 298,992	12/1988	Voss	D6/601
4,752,064	6/1988	Voss	5/638
5,018,231	5/1991	Wang	5/636

FOREIGN PATENT DOCUMENTS

1941603	3/1978	Fed. Rep. of Germany	D6/601
2609616	7/1988	France	5/636

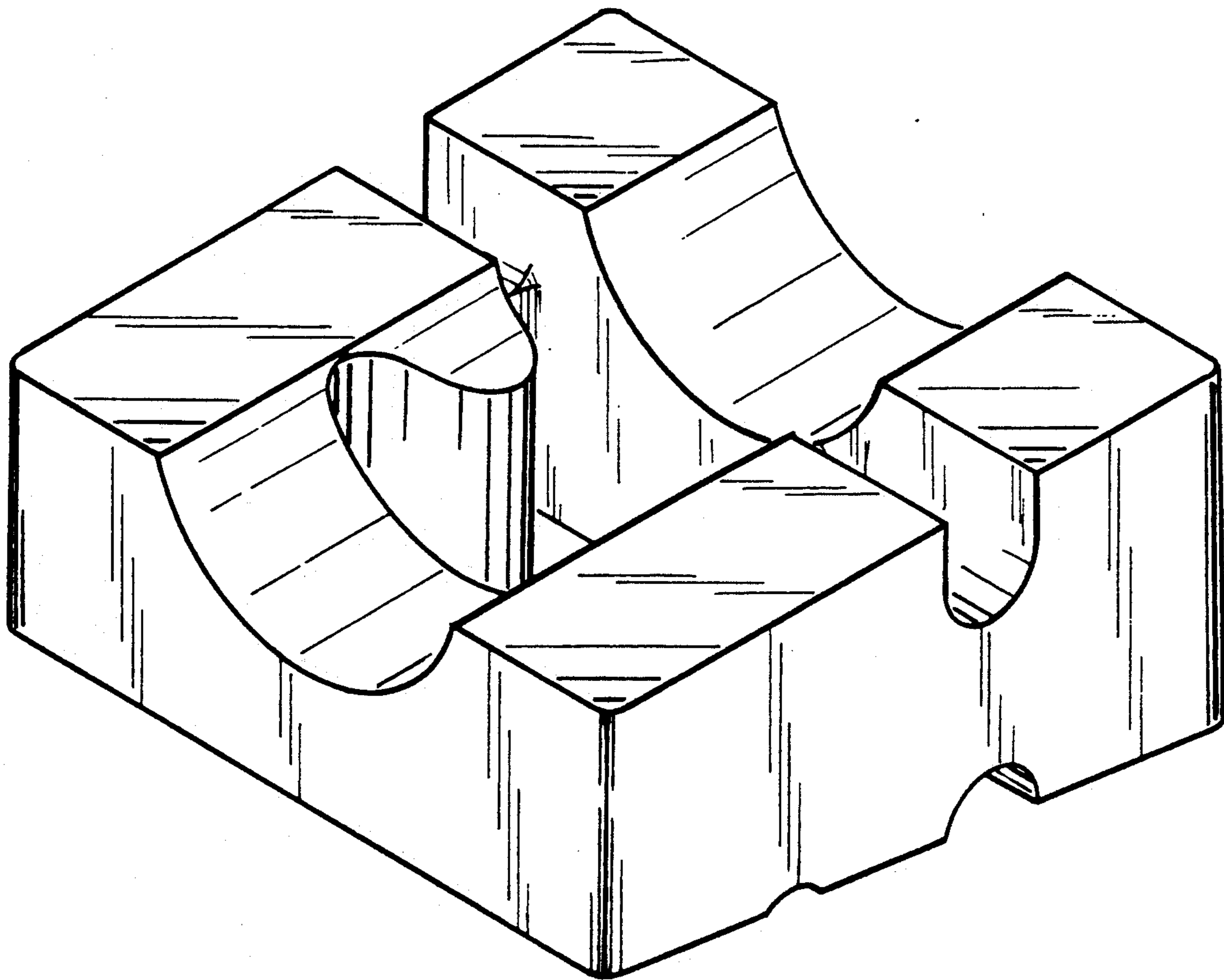
Primary Examiner—Wallace R. Burke
Assistant Examiner—Lisa Lichtenstein
Attorney, Agent, or Firm—George A. Bode

[57] **CLAIM**

The ornamental design for a facial prone pillow, as shown and described.

DESCRIPTION

FIG. 1 is a top plan view of a facial prone pillow showing my new design;
FIG. 2 is a front elevational view thereof;
FIG. 3 is a bottom plan view thereof;
FIG. 4 is an inverted rear elevational view thereof;
FIG. 5 is an inverted right side elevational view thereof; the side opposite being a mirror thereof; and,
FIG. 6 is a top, right side and front perspective view thereof.



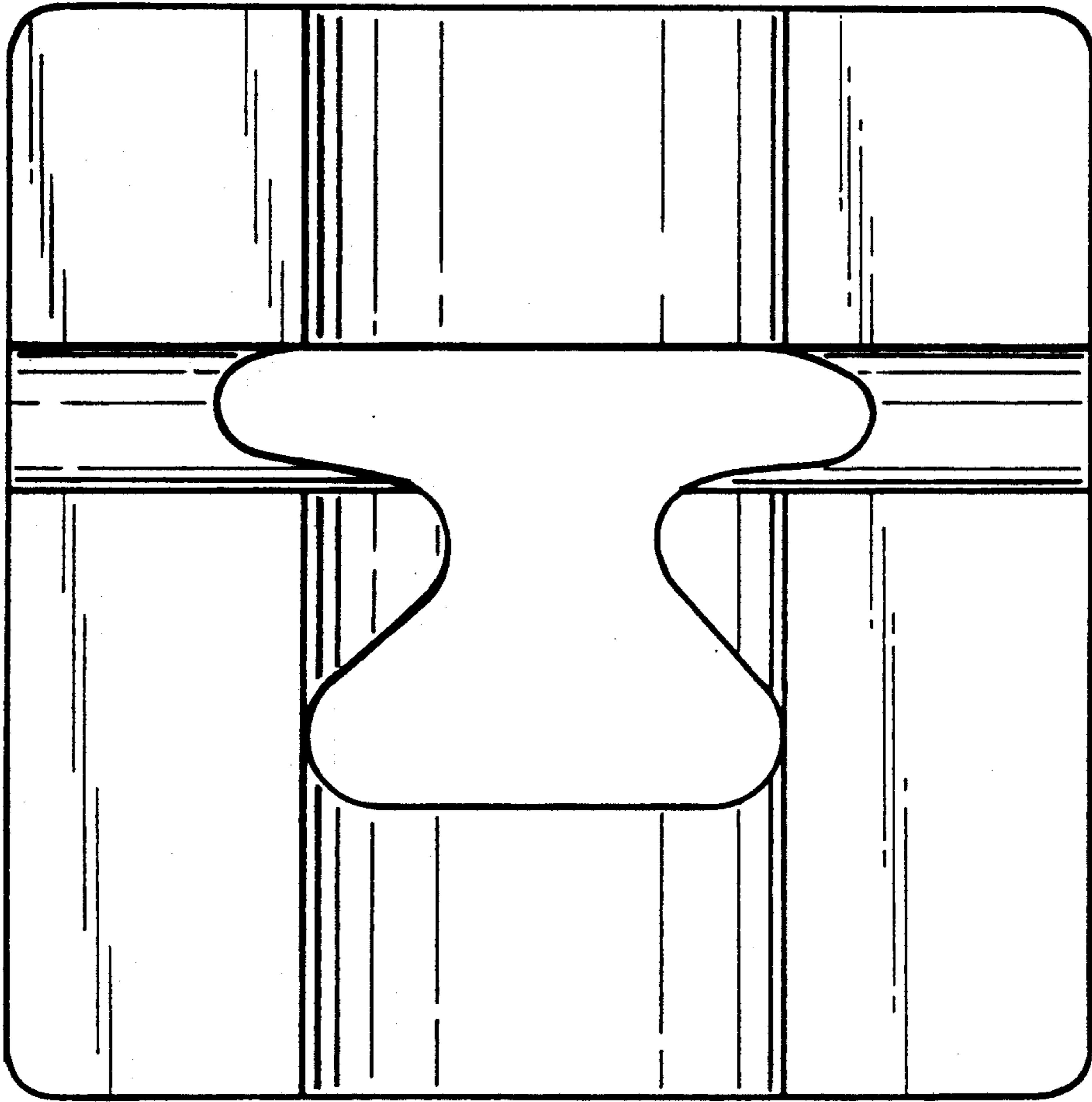


FIG. 1

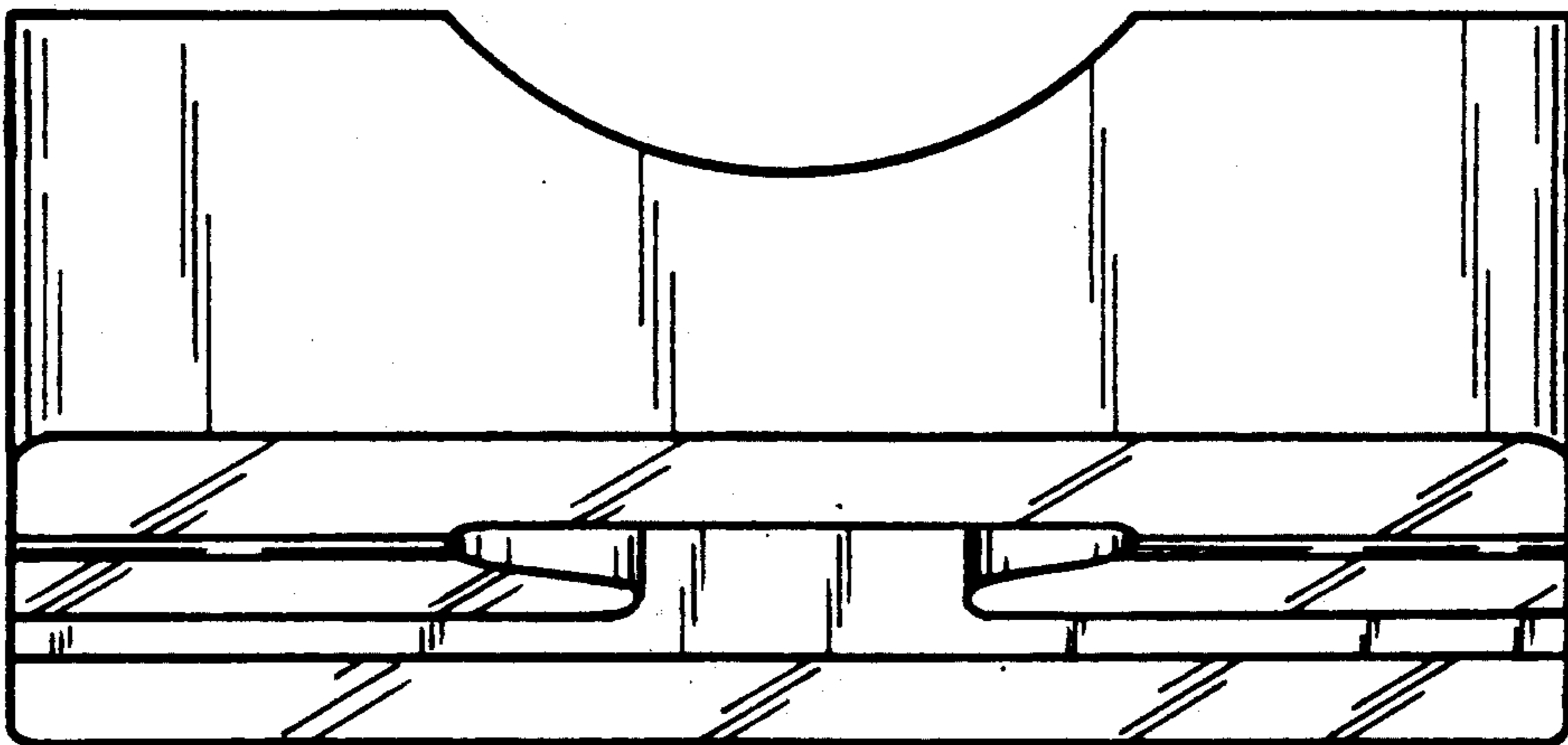


FIG. 2

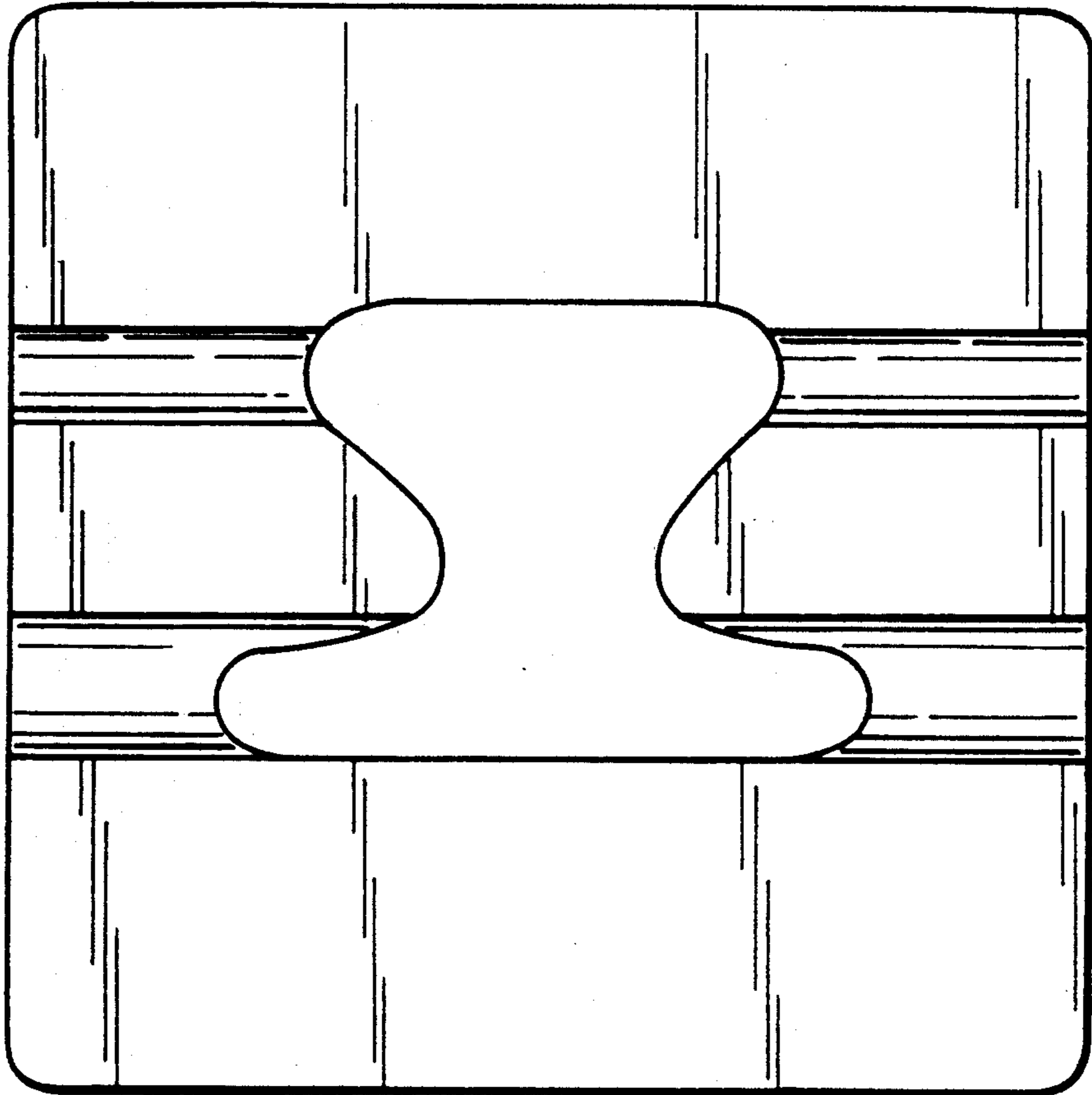


FIG. 3

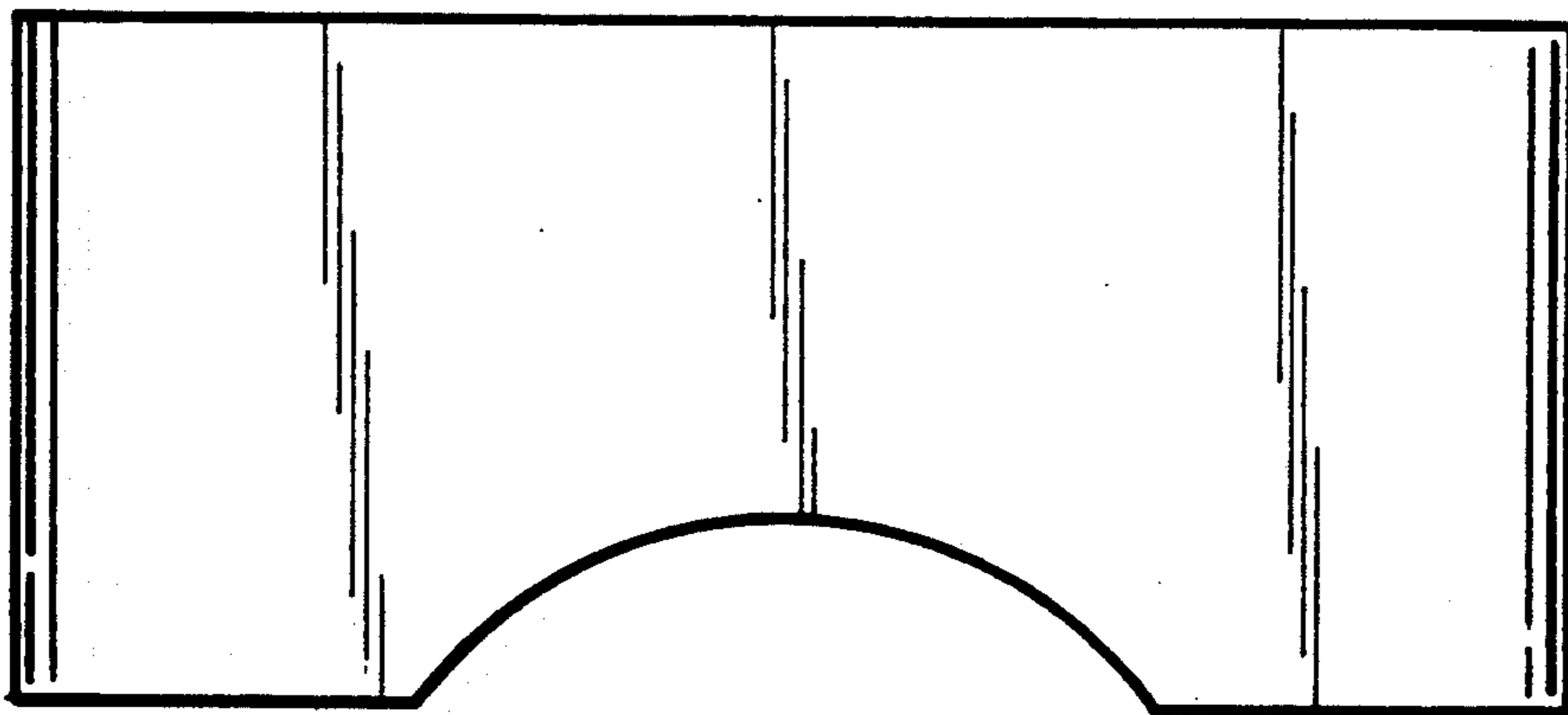


FIG. 4

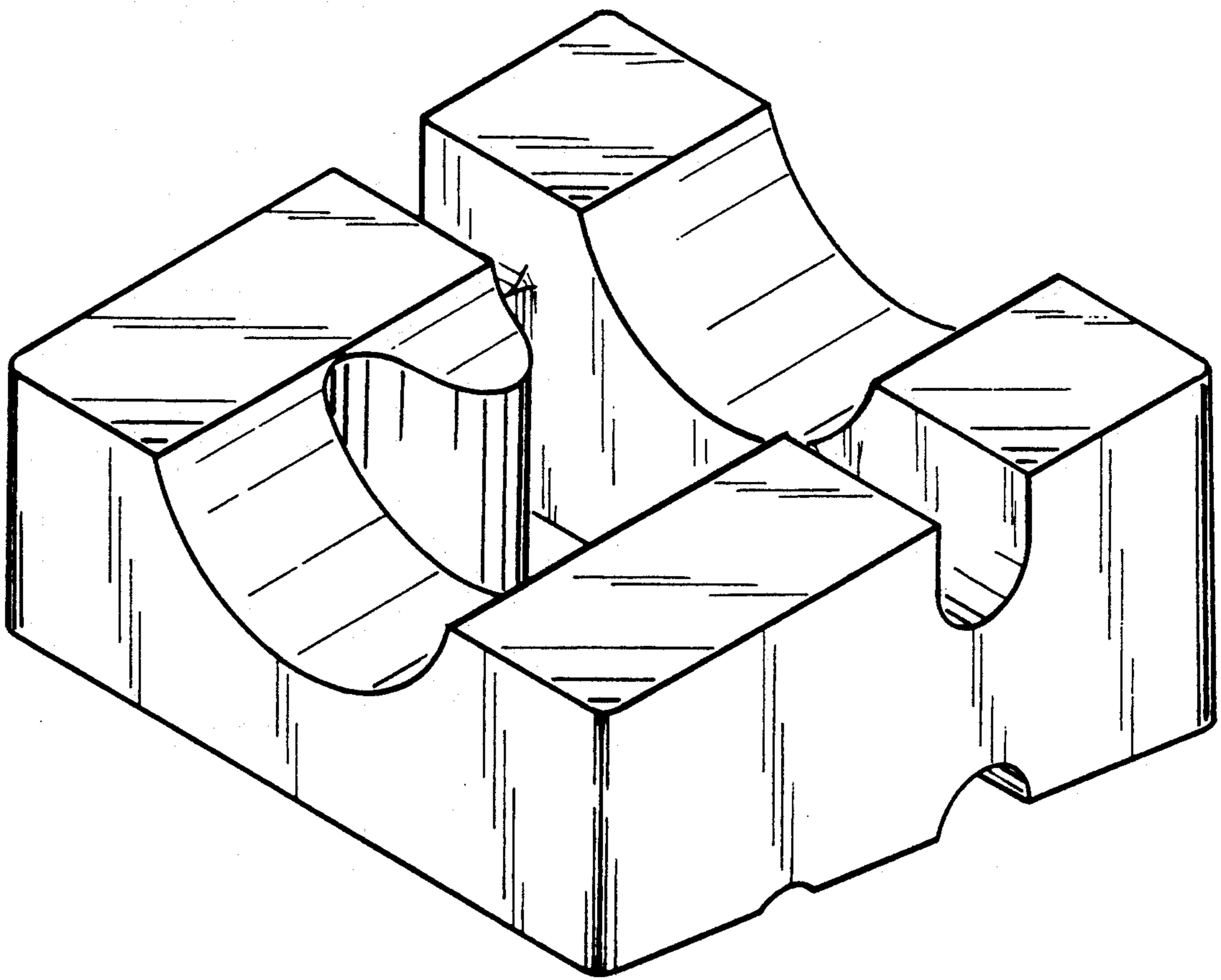
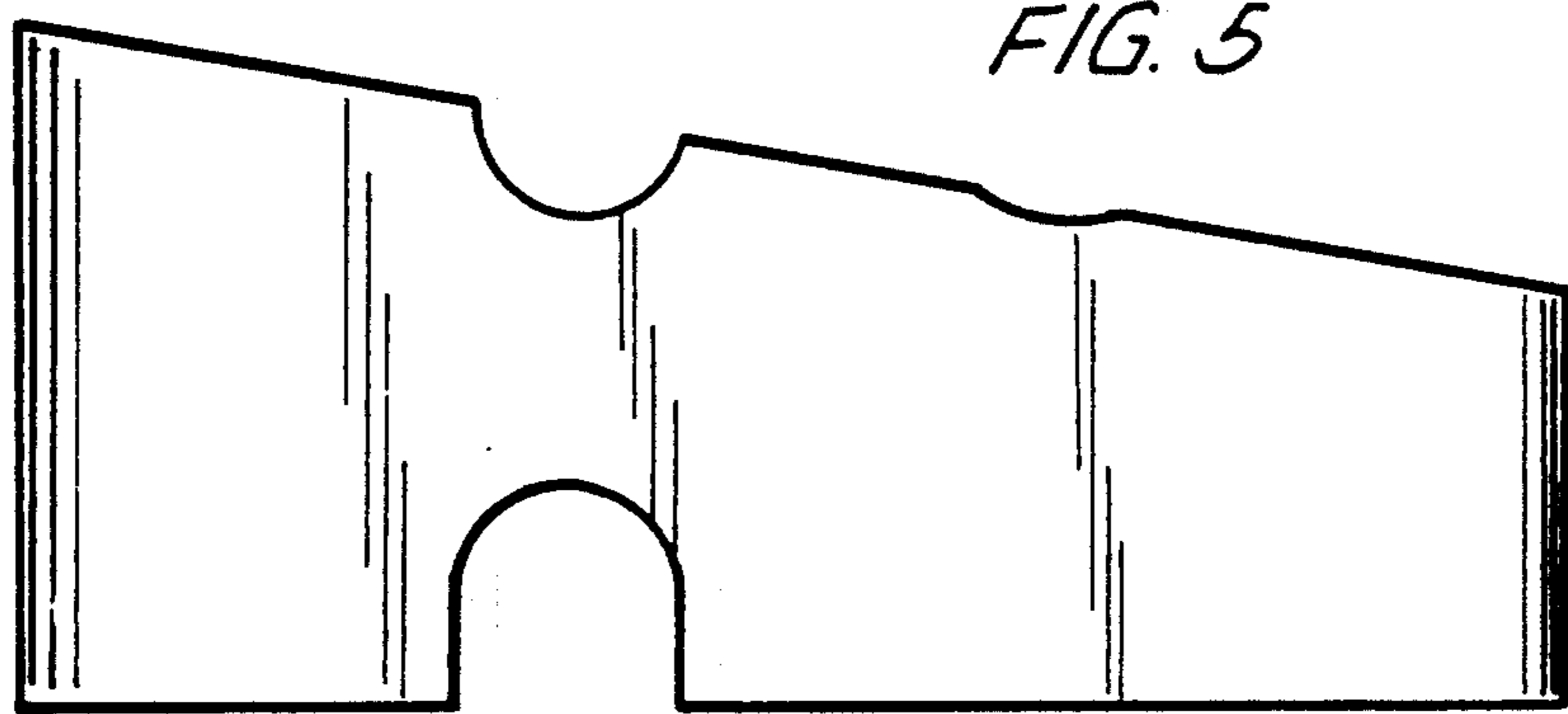


FIG. 6