



US00D337907S

# United States Patent [19]

[11] Patent Number: **Des. 337,907**

Page

[45] Date of Patent: **\*\* Aug. 3, 1993**

[54] **KEYBOARD SHELF**

[76] Inventor: **Paul D. Page**, 707 Creekview Pl., Mammoth Lakes, Calif. 93546

[\*\*] Term: **14 Years**

[21] Appl. No.: **692,046**

[22] Filed: **Apr. 26, 1991**

[52] U.S. Cl. .... **D6/511**

[58] Field of Search ..... **D6/511; D8/380, 381; 211/153; 248/118, 118.1, 188.4, 220.2, 278, 918**

[56] **References Cited**

**U.S. PATENT DOCUMENTS**

D. 239,251	3/1976	Sheetz	.....	D8/380 X
D. 256,747	9/1980	Stephen	.....	D8/380 X
D. 289,007	3/1987	Garcia	.....	D8/380 X
4,272,136	6/1981	Sengua	.....	248/188.4 X
4,632,349	12/1986	Anstey	.....	248/918 X
5,040,766	8/1991	Egly et al.	.....	248/918 X

*Primary Examiner*—Alan P. Douglas  
*Assistant Examiner*—Monica A. Hannon

*Attorney, Agent, or Firm*—Merchant, Gould, Smith, Edell, Welter & Schmidt

[57] **CLAIM**

The ornamental design for a keyboard shelf, as shown and described.

**DESCRIPTION**

FIG. 1 shows a bottom left rear perspective view of a keyboard shelf according to the principles of the present invention;

FIG. 2 shows a top left rear perspective view of the keyboard shelf shown in FIG. 1;

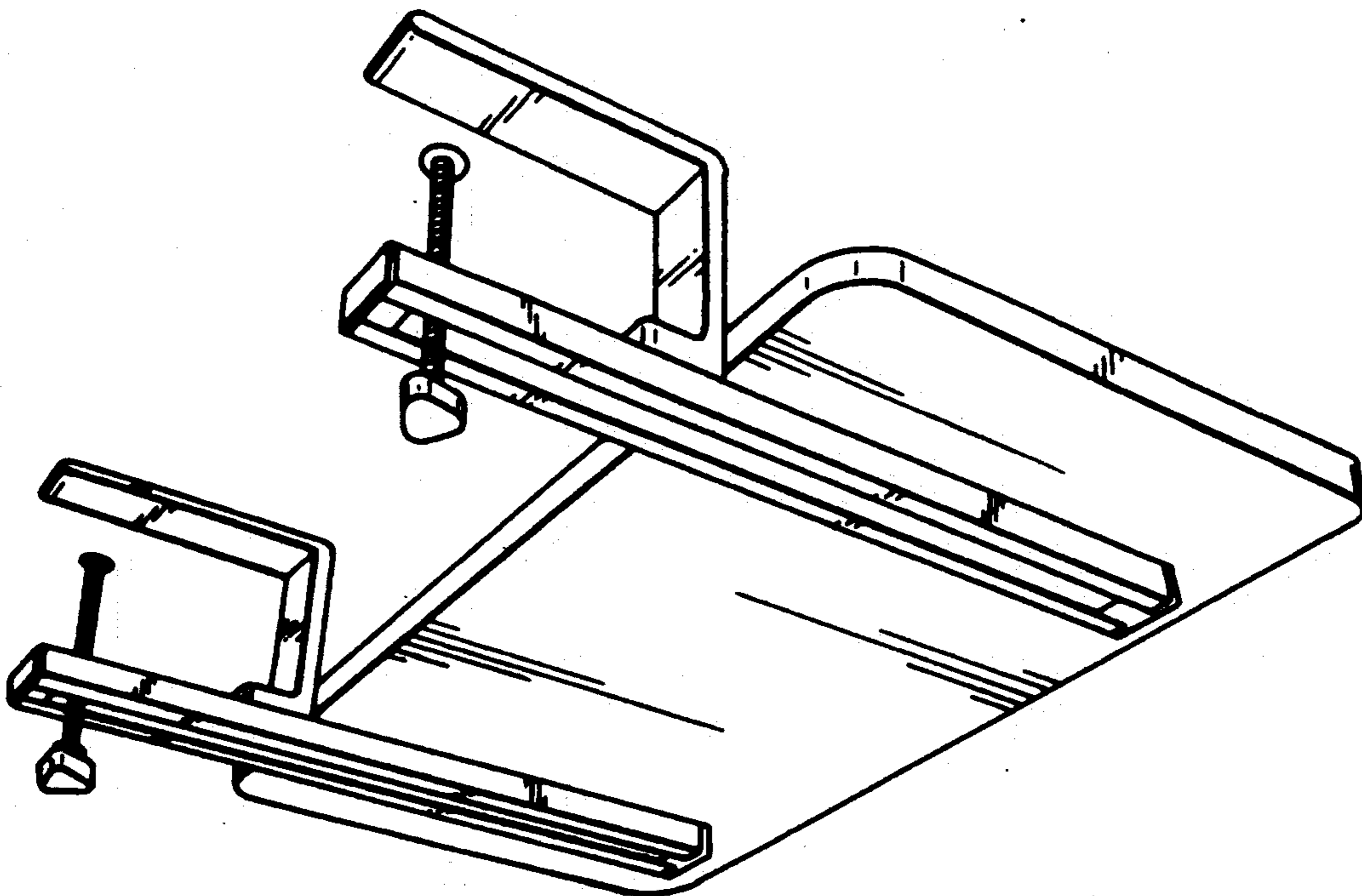
FIG. 3 shows a bottom plan view of the keyboard shelf shown in FIG. 1;

FIG. 4 shows a top plan view of the keyboard shelf shown in FIG. 1;

FIG. 5 shows a right side elevational view of the keyboard shelf shown in FIG. 1, a left side elevational view not being shown as it is substantially a mirror image of the right side elevational view;

FIG. 6 shows a front elevational view of the keyboard shelf shown in FIG. 1; and,

FIG. 7 shows a rear elevational view of the keyboard shelf shown in FIG. 1.



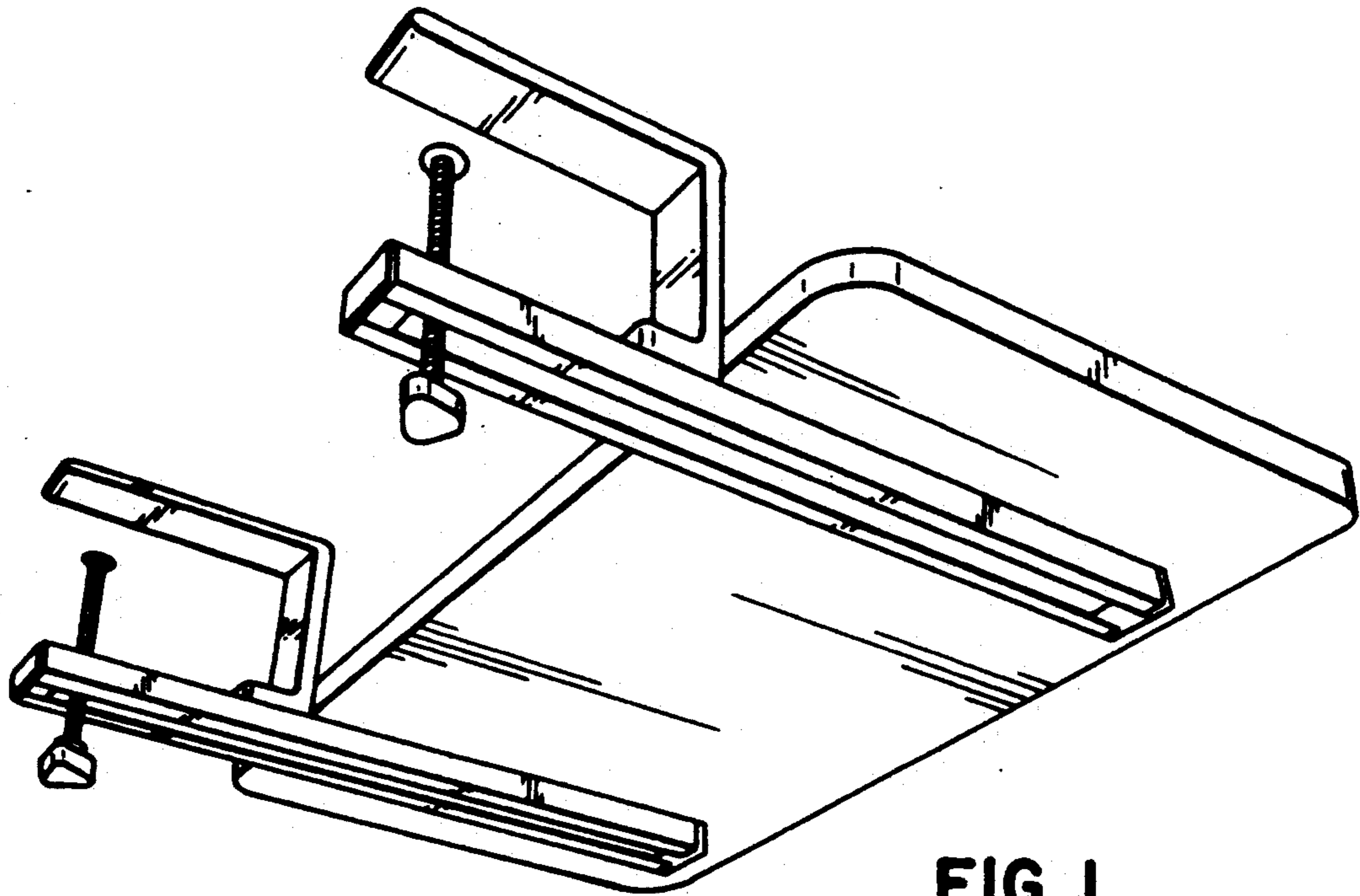


FIG. 1

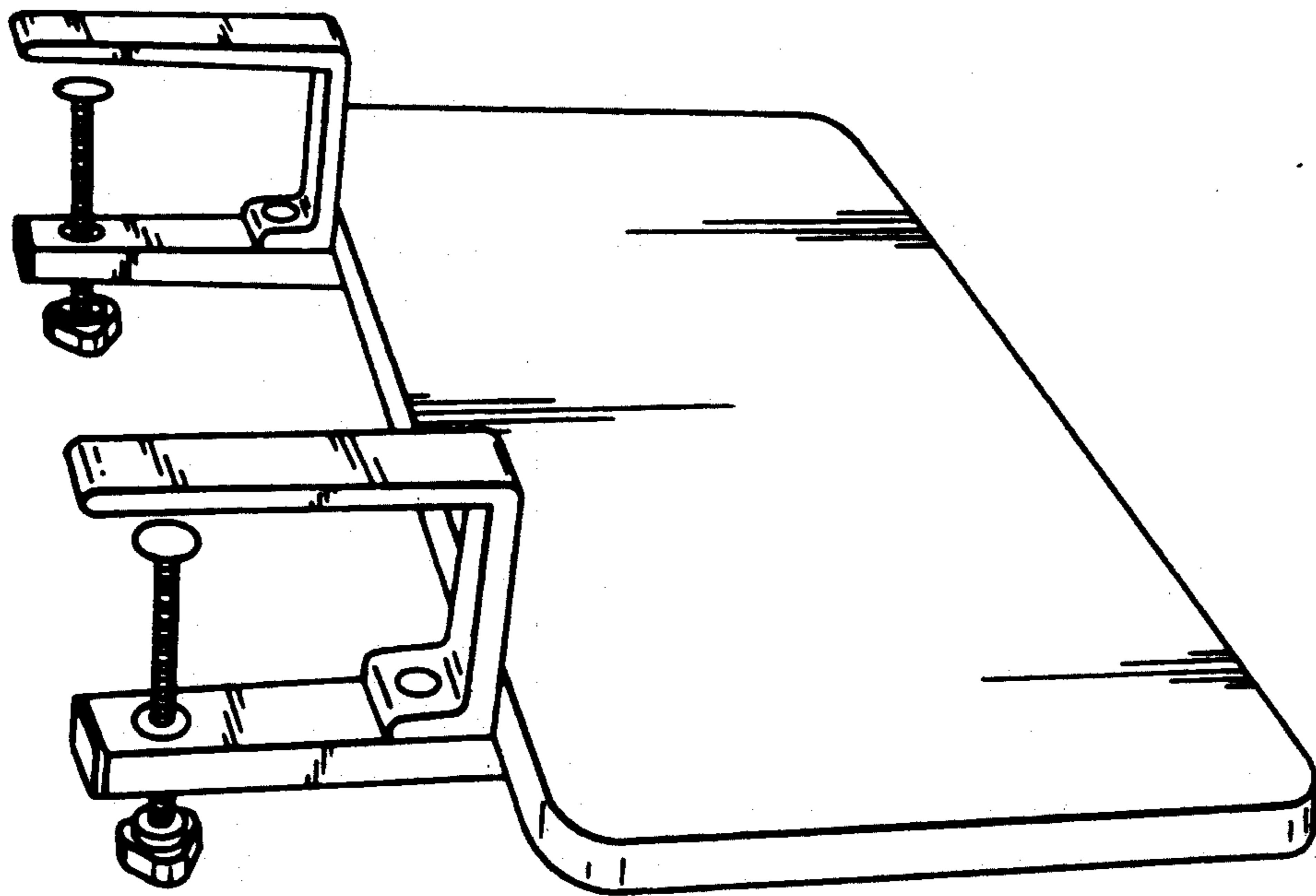


FIG. 2

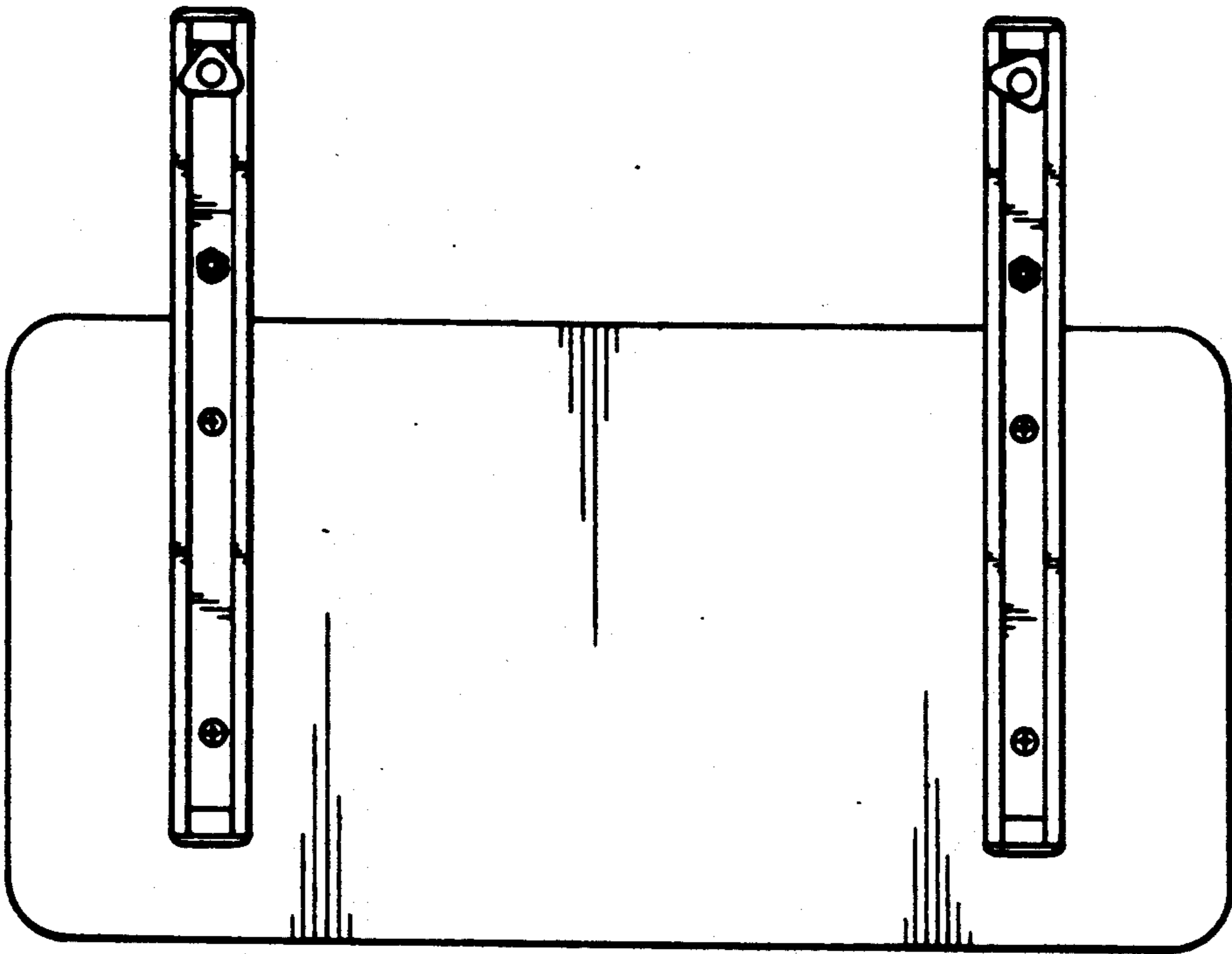


FIG. 3

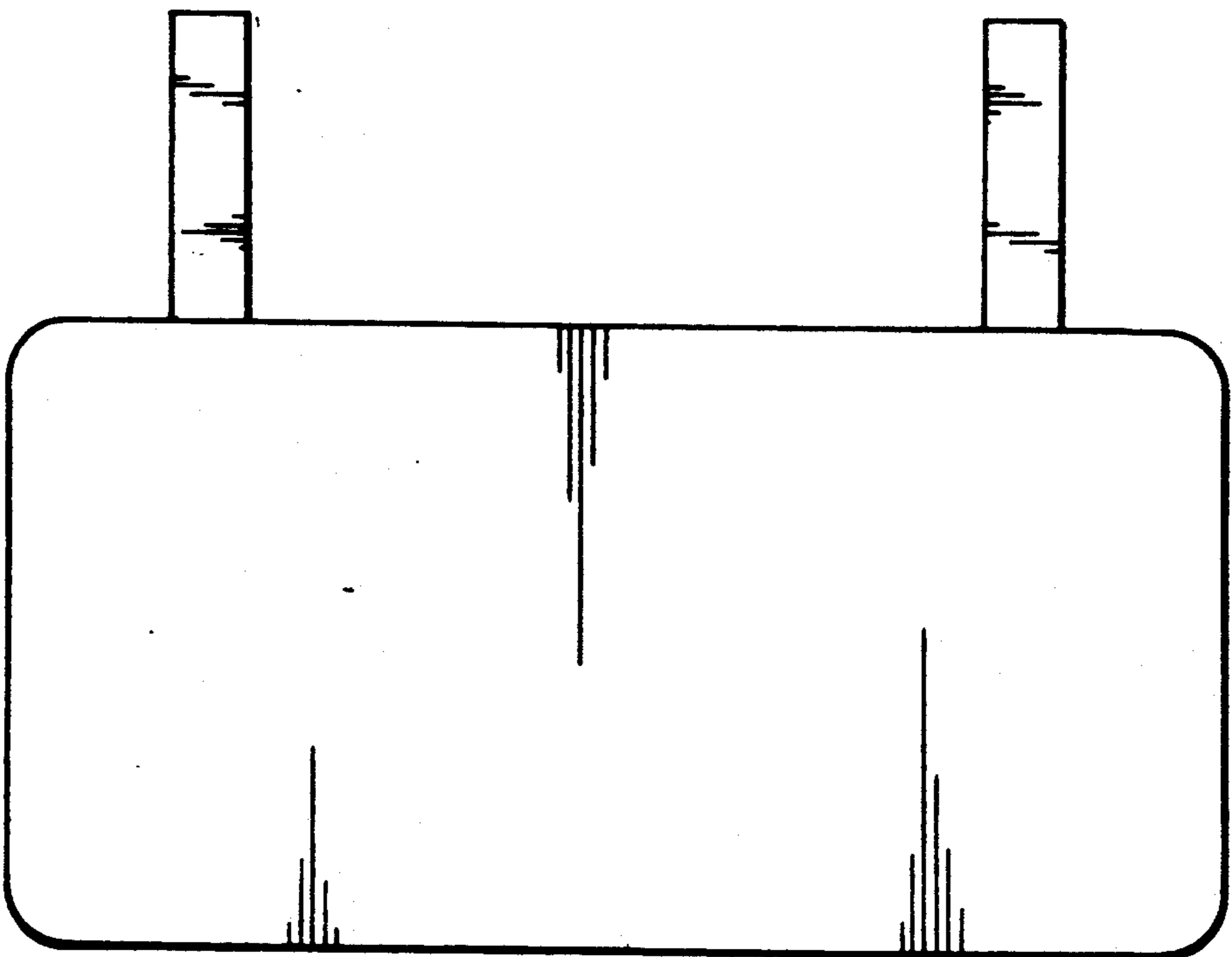


FIG. 4

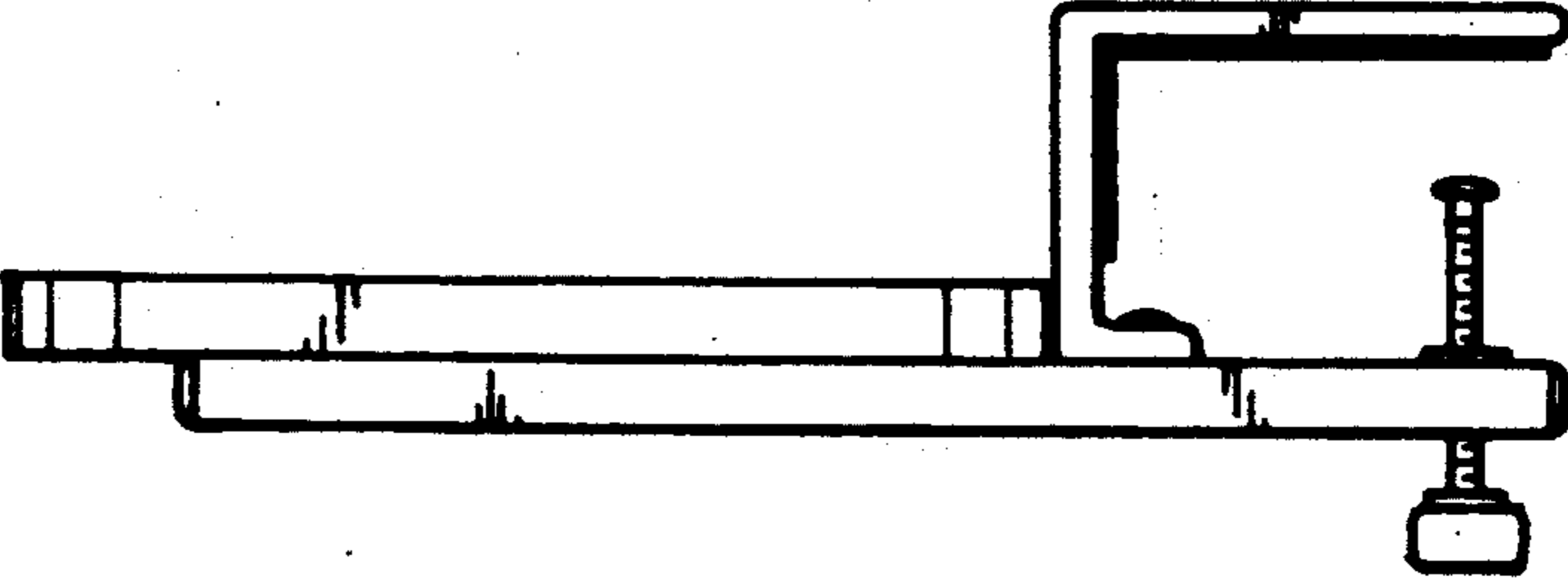


FIG. 5

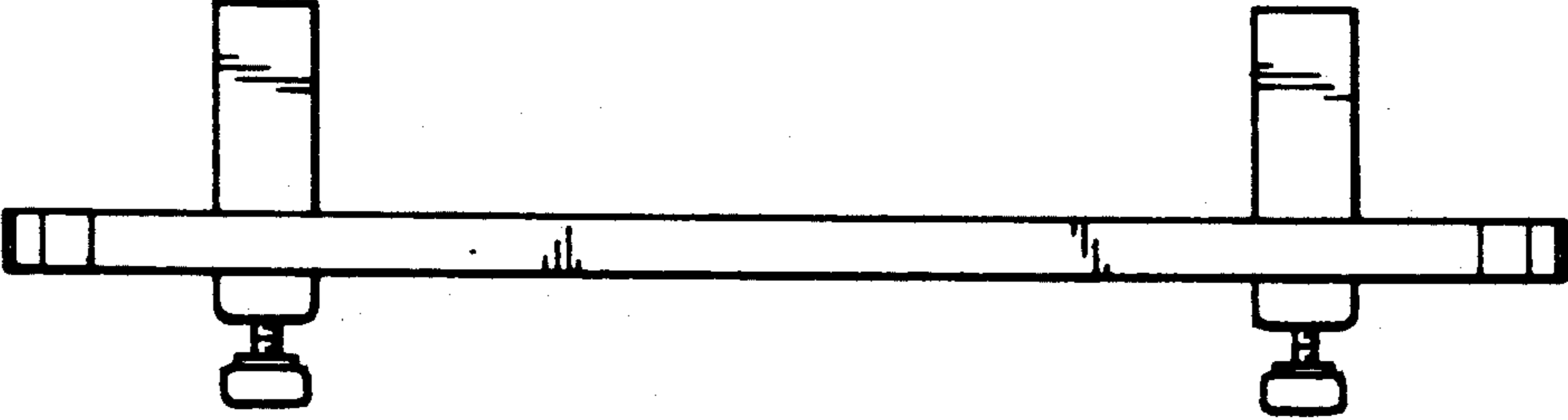


FIG. 6

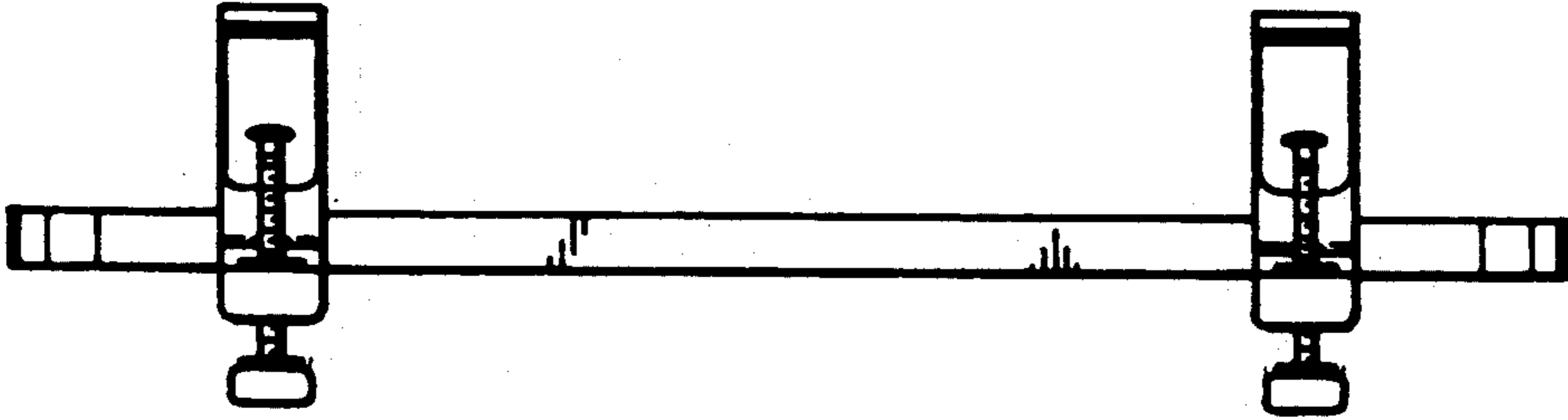


FIG. 7