



US00D337899S

United States Patent [19]

Mattikow

[11] Patent Number: **Des. 337,899**

[45] Date of Patent: **** Aug. 3, 1993**

[54] **DESIGN FOR CASSETTE HOLDER**

[75] Inventor: **Nina Mattikow, Greenwich, Conn.**

[73] Assignee: **Great American Audio Corp., New Rochelle, N.Y.**

[**] Term: **14 Years**

[21] Appl. No.: **687,315**

[22] Filed: **Apr. 18, 1991**

[52] U.S. Cl. **D6/407; D6/450; D6/475**

[58] Field of Search **D6/407, 449-467, D6/404, 475; 312/9.1, 204; 206/387; 211/40-42; D7/631, 632, 634; D21/228, 134, 140; D12/6**

[56] **References Cited**

U.S. PATENT DOCUMENTS

- D. 136,165 8/1943 Reach D6/348
- D. 159,393 7/1950 Roche D21/134 X
- D. 281,212 11/1985 Appleby D21/134 X

Primary Examiner—Carmen H. Vales-Lado
Attorney, Agent, or Firm—Bryan Cave

[57] **CLAIM**

The ornamental design for cassette holder, as shown and described.

DESCRIPTION

FIG. 1 is a perspective view of a cassette holder showing my new design, the broken lines showing cassettes are for illustrative purposes only;
 FIG. 2 is a front elevational view thereof;
 FIG. 3 is a side elevational view, the opposite side being a mirror image thereof;
 FIG. 4 is a top plan view thereof;
 FIG. 5 is a rear elevational view thereof; and,
 FIG. 6 is a bottom plan view thereof.

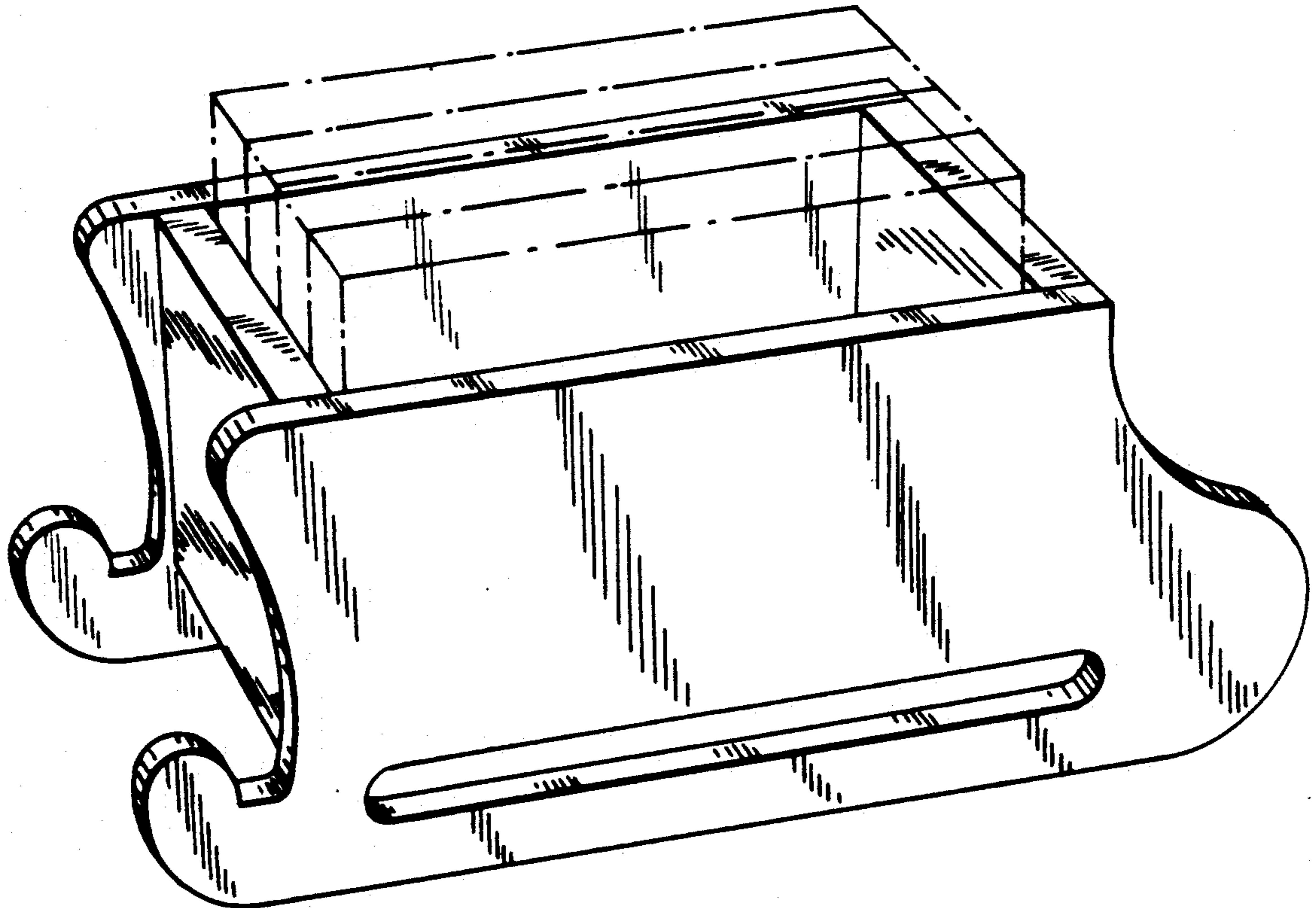


FIG. 1

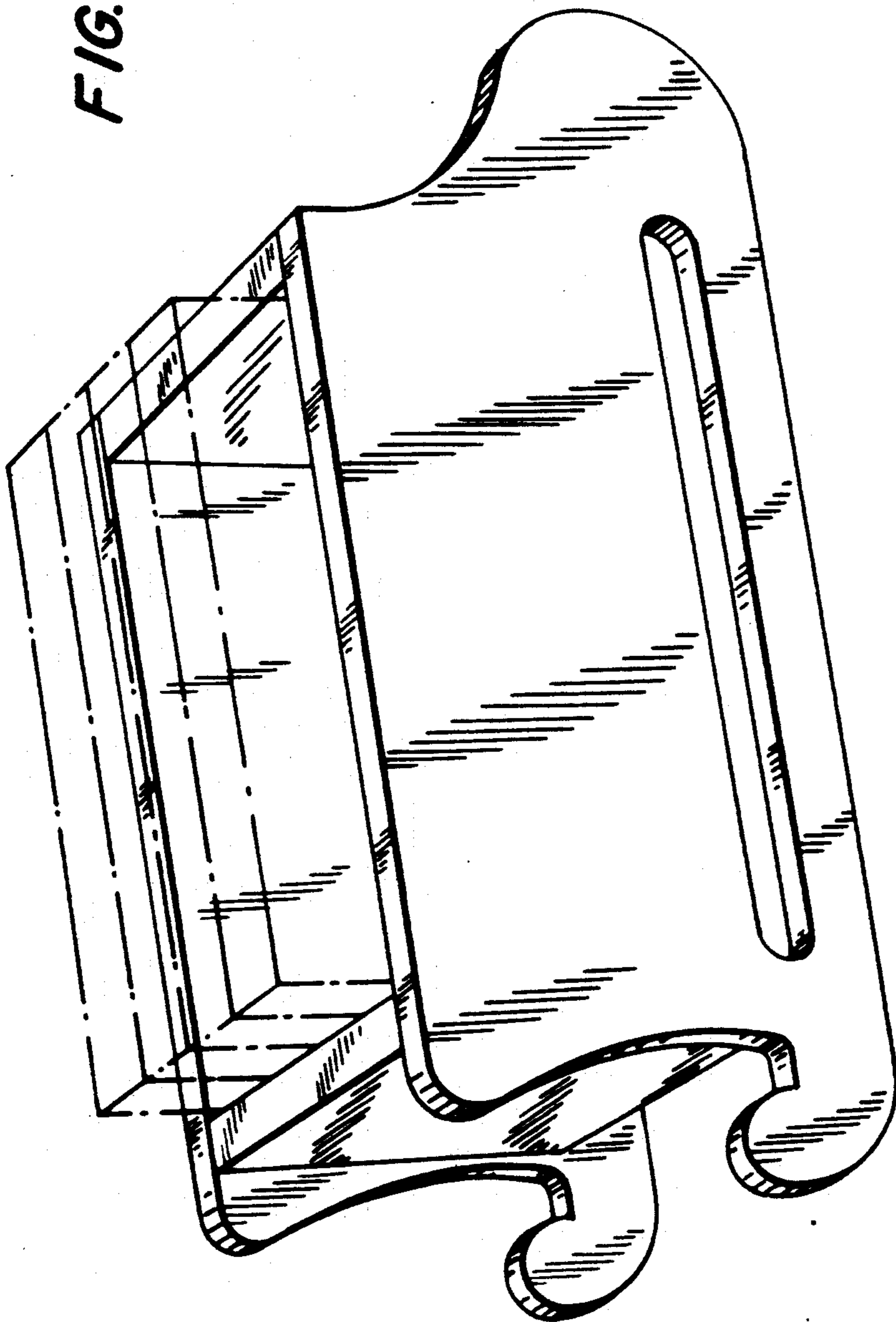


FIG. 2

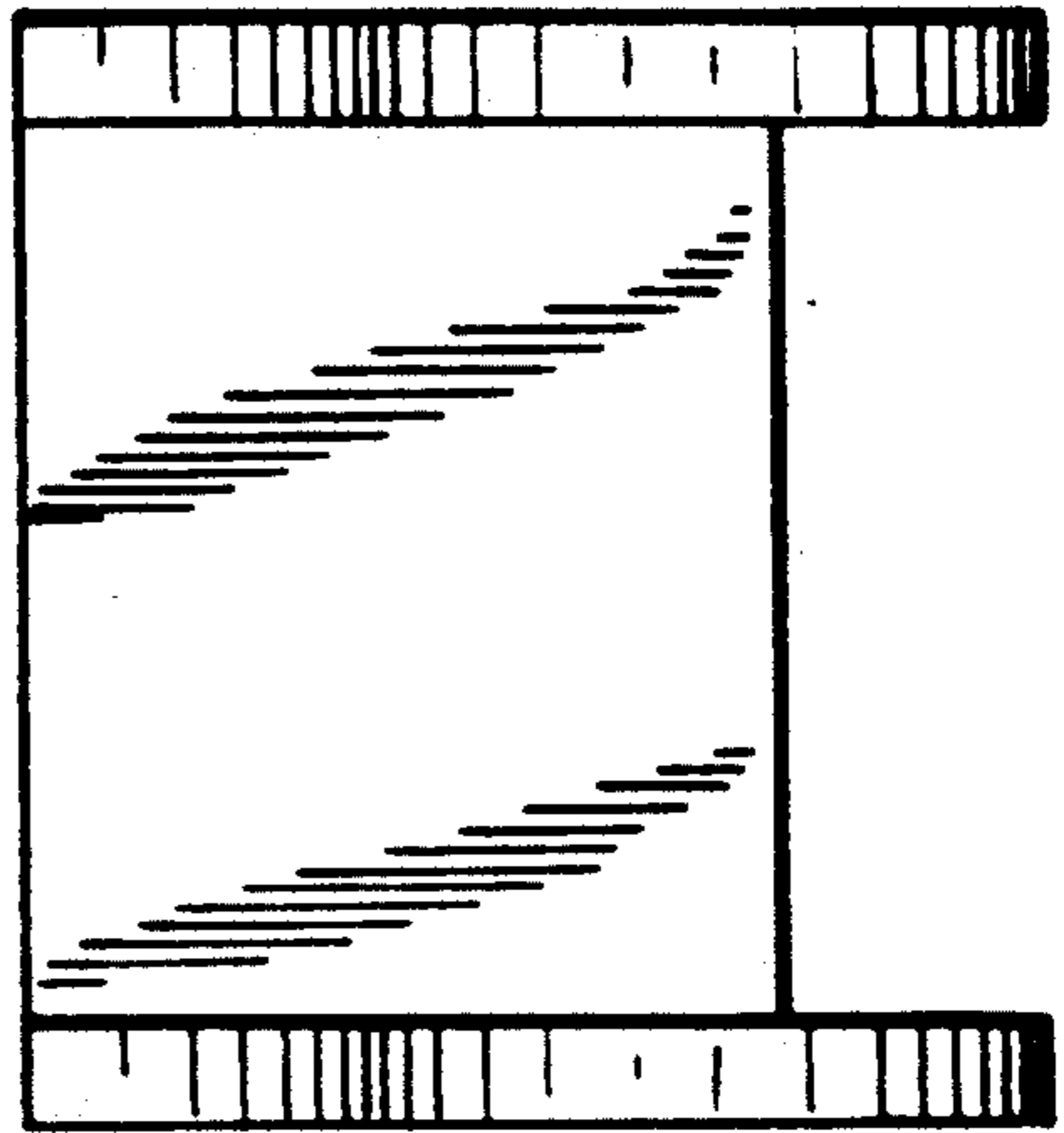


FIG. 3

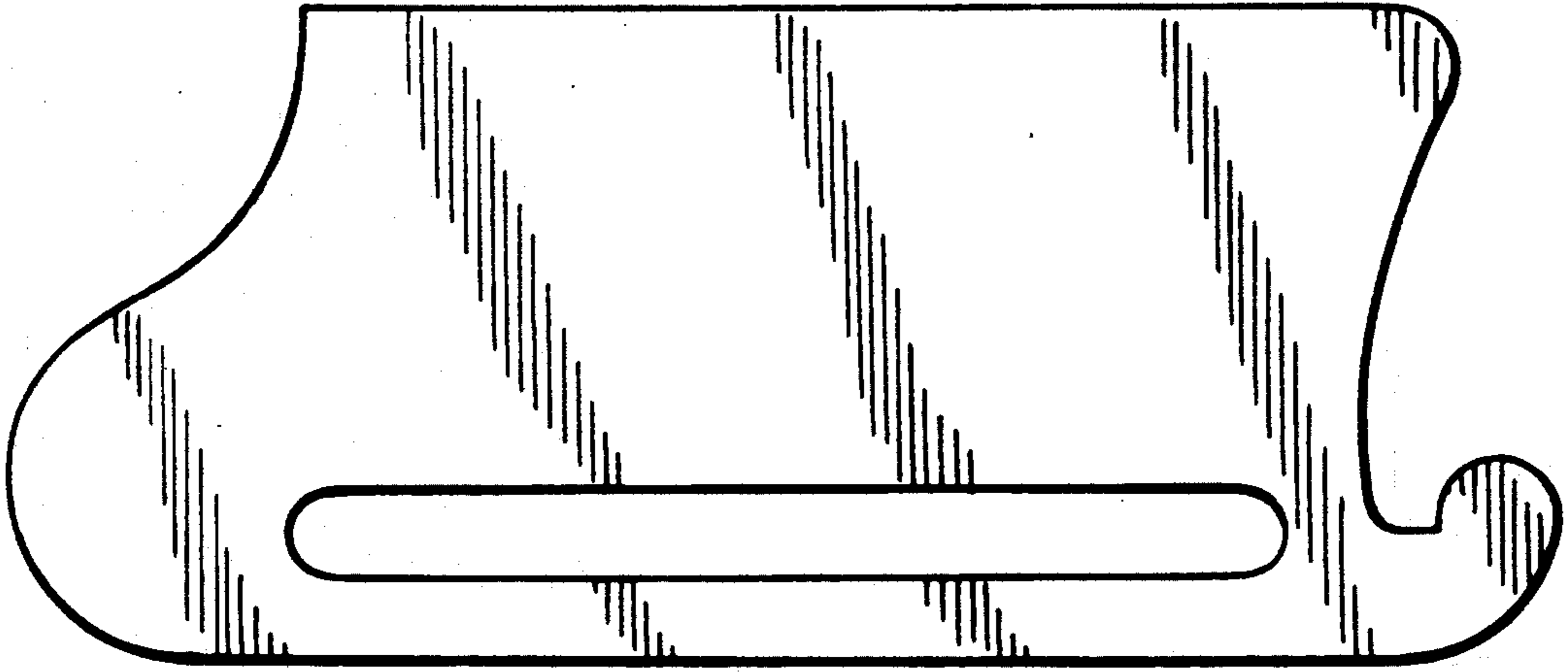


FIG. 4

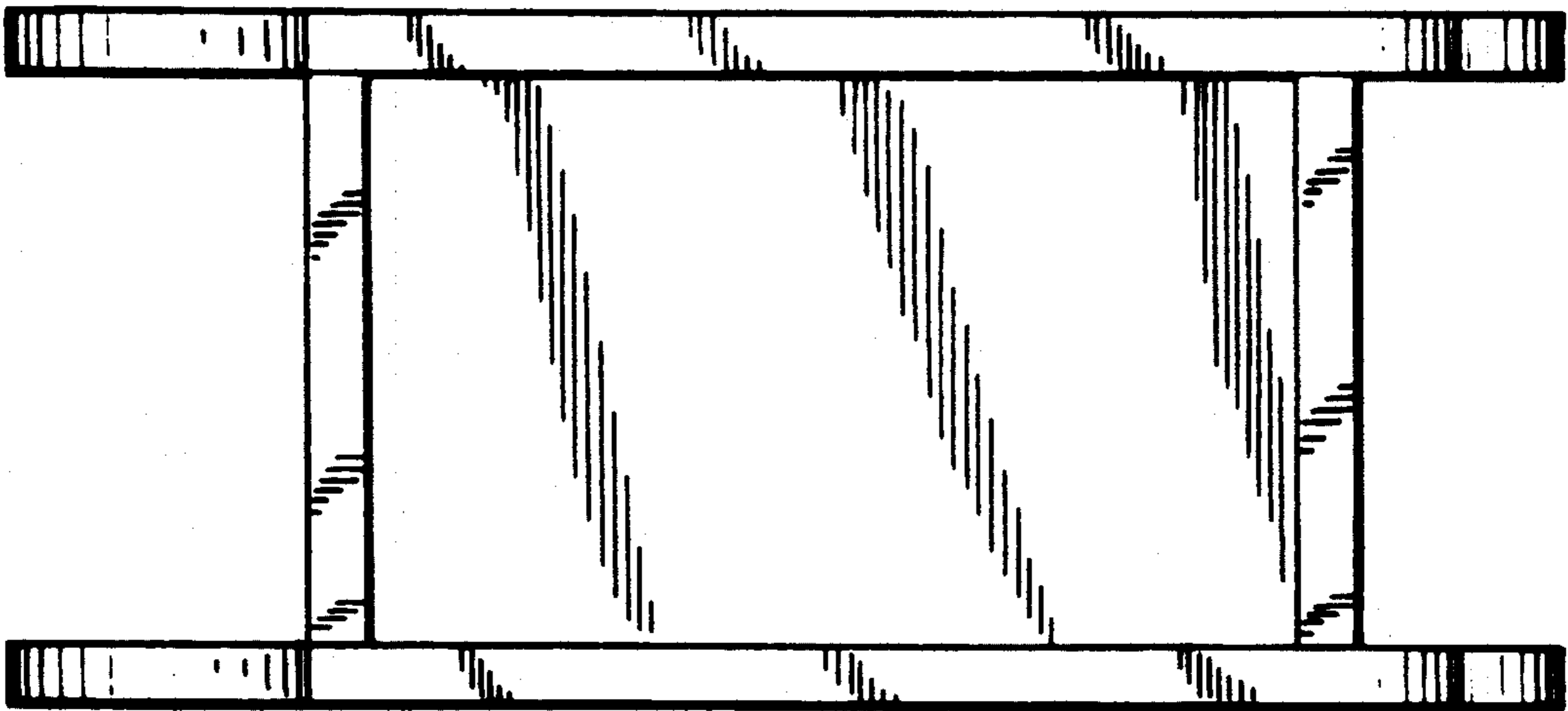


FIG. 5

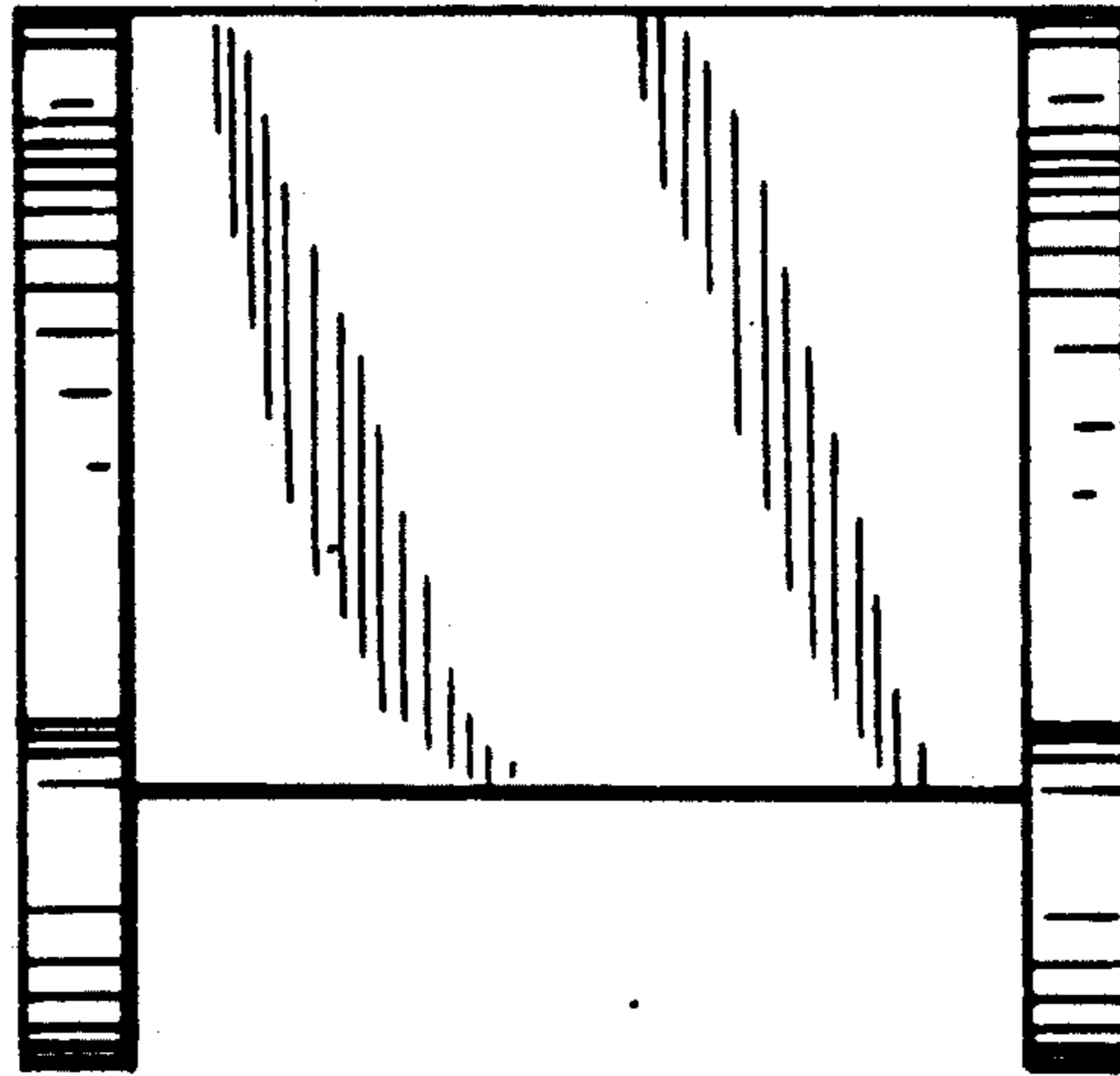


FIG. 6

