



US00D337898S

United States Patent [19]
Chen

[11] **Patent Number: Des. 337,898**
[45] **Date of Patent: ** Aug. 3, 1993**

[54] **WORK TABLE**

[76] **Inventor: Chi-Ming Chen, No. 49, Szutsuan Hsierh St., Taichung, Taiwan**

[**] **Term: 14 Years**

[21] **Appl. No.: 767,204**

[22] **Filed: Sep. 30, 1991**

[52] **U.S. Cl. D6/400**

[58] **Field of Search D6/422-428, D6/397, 400; 312/194-196; 108/25**

[56] **References Cited**

U.S. PATENT DOCUMENTS

D. 35,044	9/1901	Stickley	D6/428
D. 237,930	12/1975	Demmer	D6/400
D. 266,128	9/1982	Ferdinand et al.	D6/400
D. 273,739	5/1984	Shapiro	D6/400
D. 282,218	1/1986	Catelli	D6/420 X
D. 300,993	5/1989	Gautier	D6/400

D. 327,790	7/1992	Sharar	D6/422
3,289,616	12/1966	Donihi	108/25 X
4,972,781	11/1990	Montgomery et al.	108/25

Primary Examiner—Carmen H. Vales-Lado
Attorney, Agent, or Firm—Morton J. Rosenberg; David I. Klein

[57] **CLAIM**

The ornamental design for a work table, as shown and described.

DESCRIPTION

FIG. 1 is a perspective view of a work table showing my design;

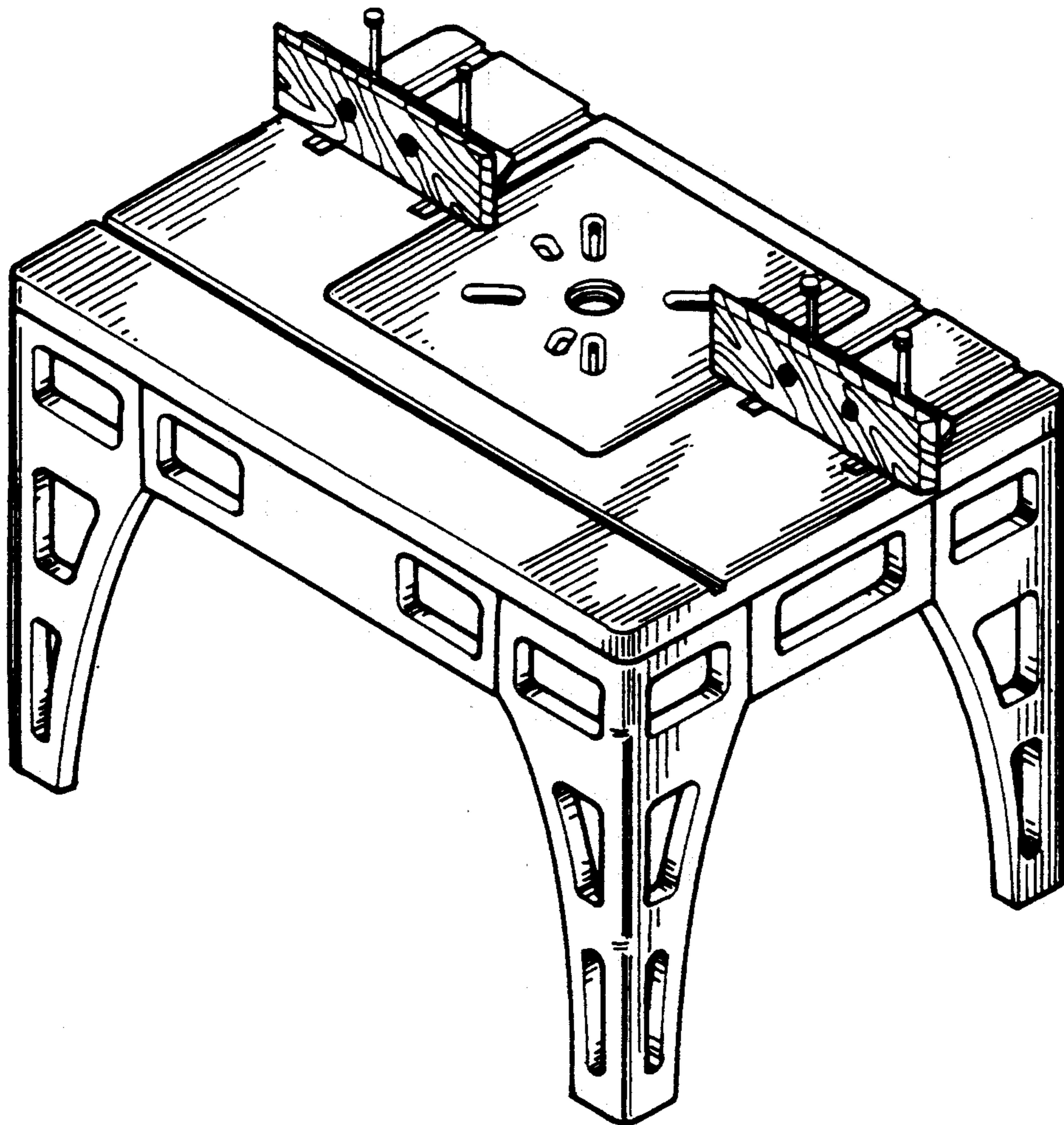
FIG. 2 is a front elevational view thereof;

FIG. 3 is a rear elevational view thereof;

FIG. 4 is a top plan view thereof;

FIG. 5 is a bottom plan view thereof; and,

FIG. 6 is a left side elevational view thereof, and the right side being a mirror image of that shown.



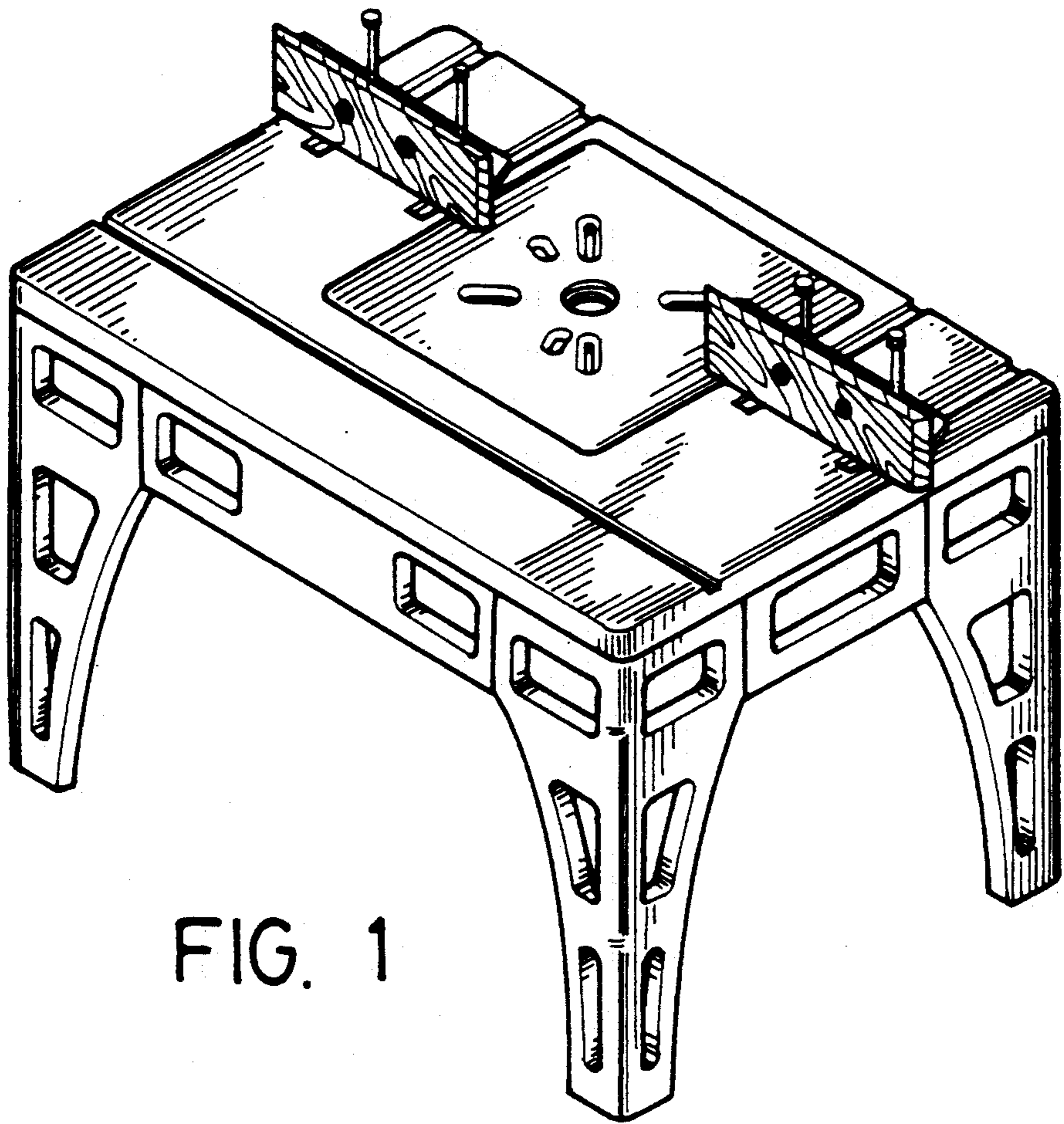


FIG. 1

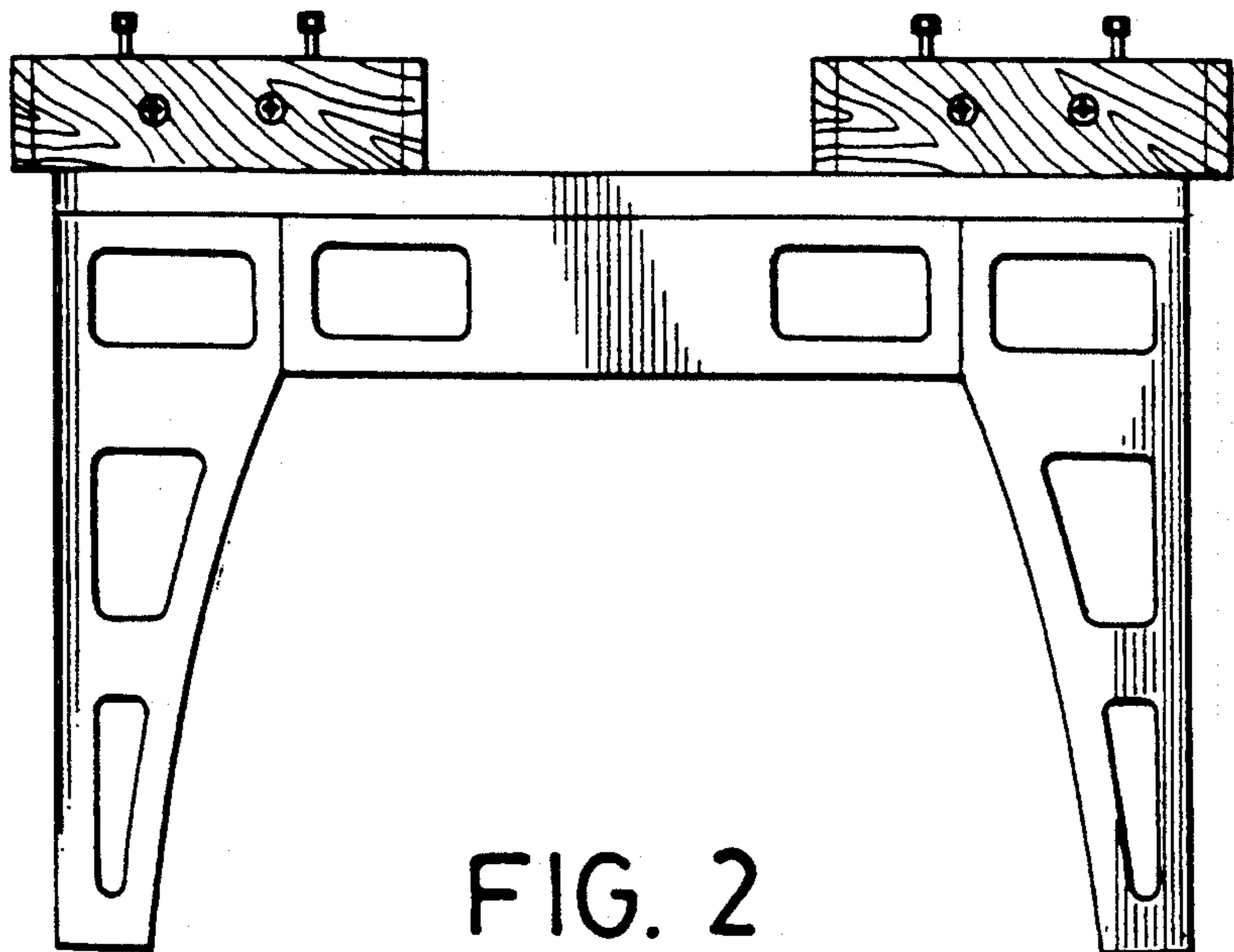


FIG. 2

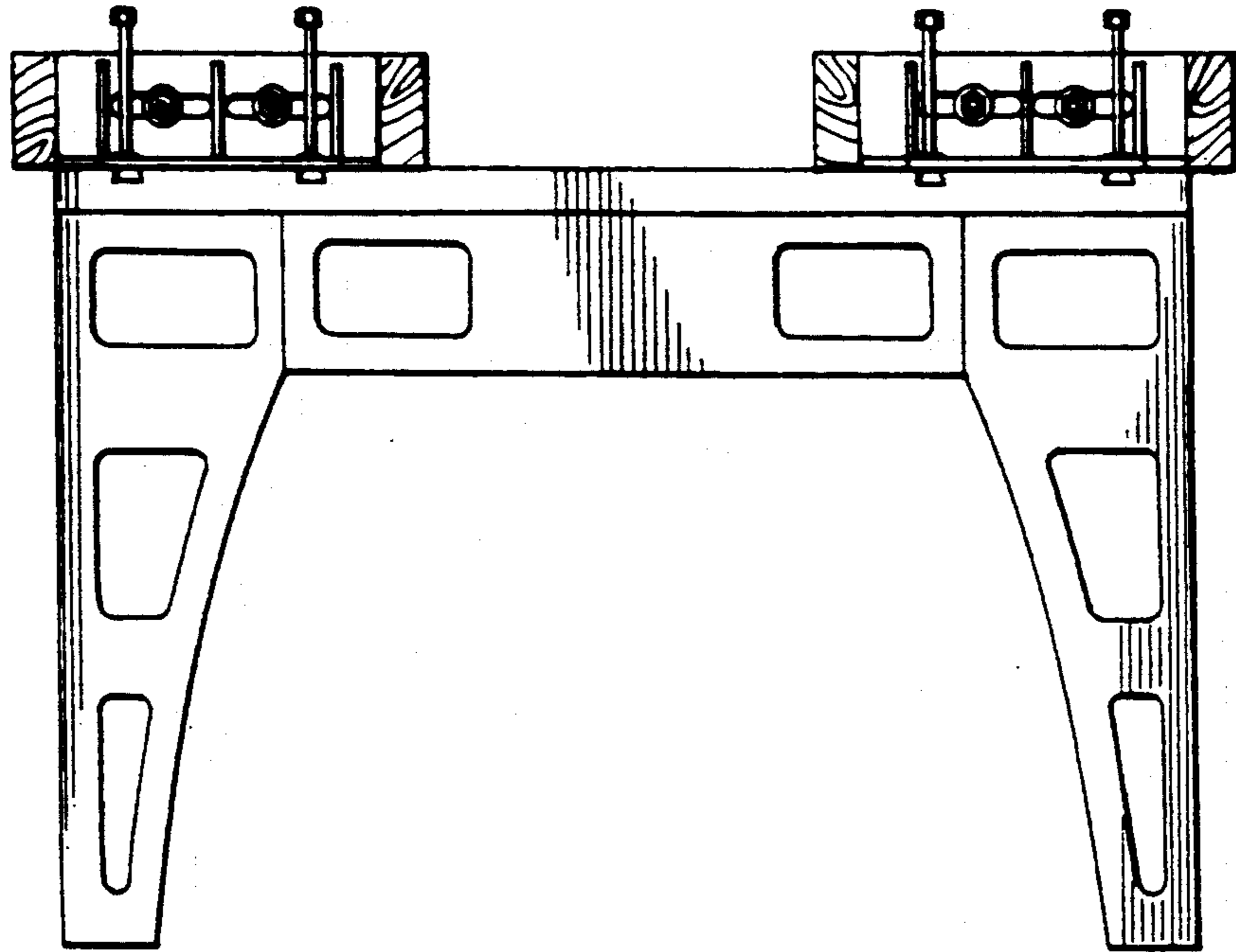


FIG. 3

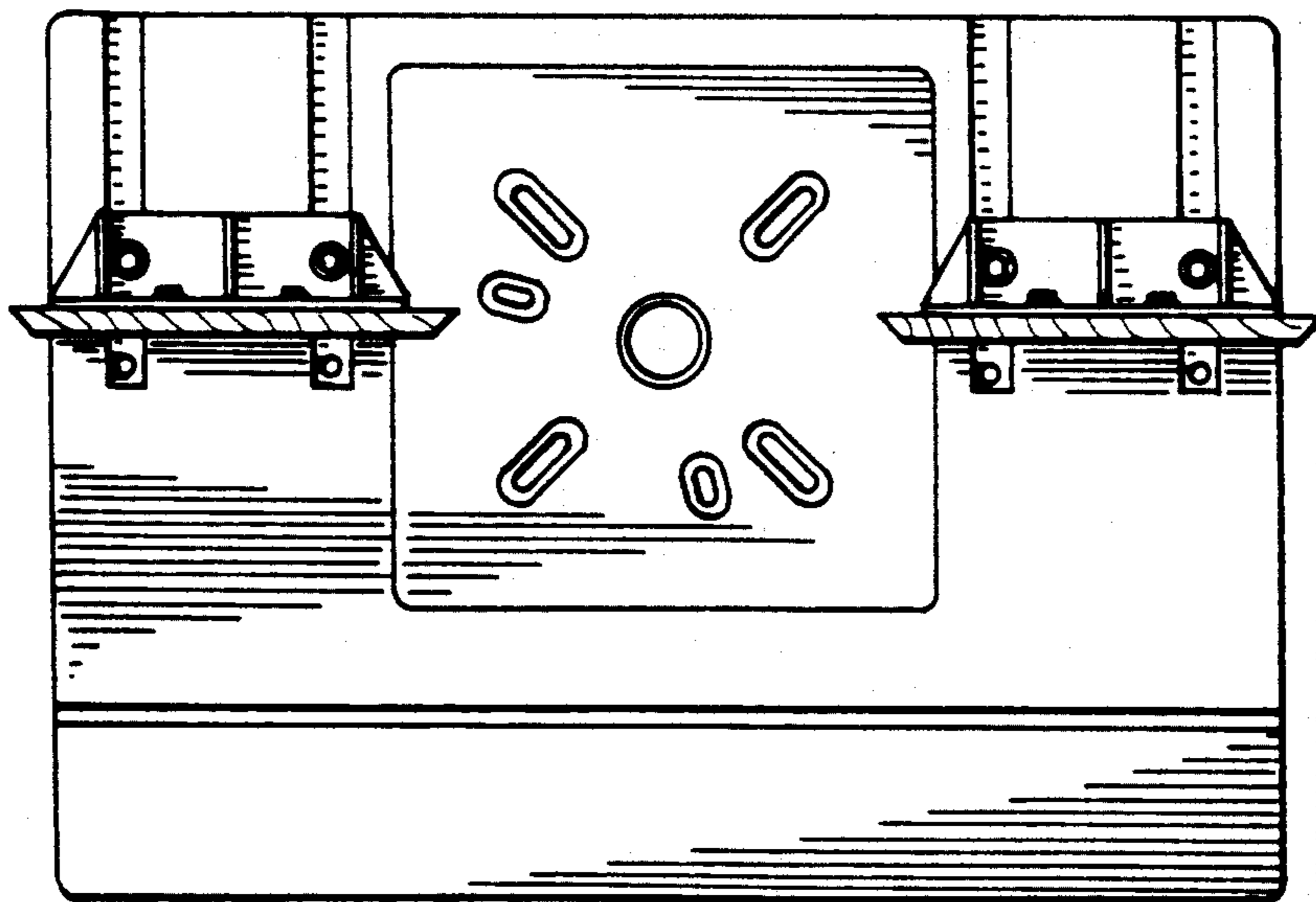


FIG. 4

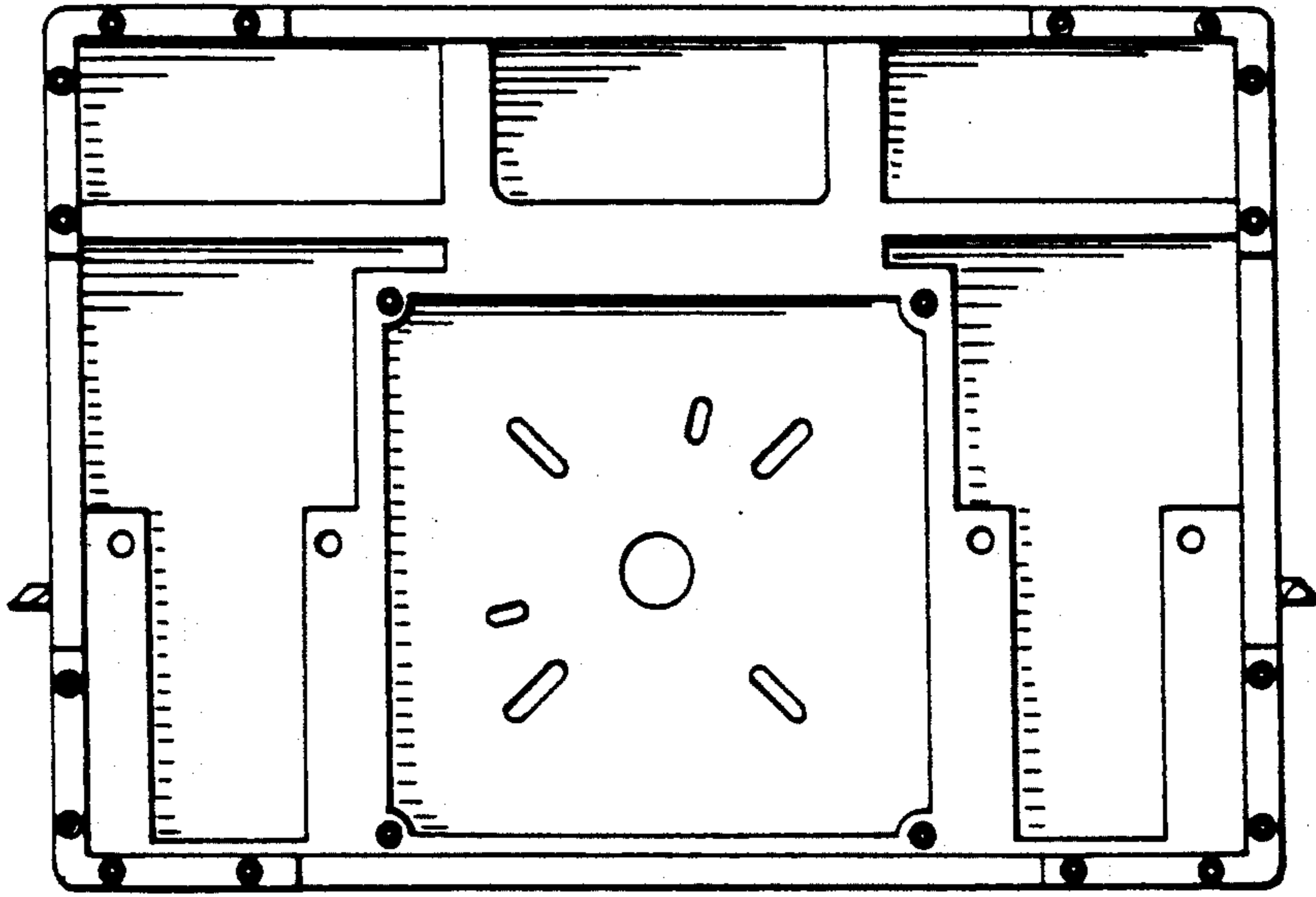


FIG. 5

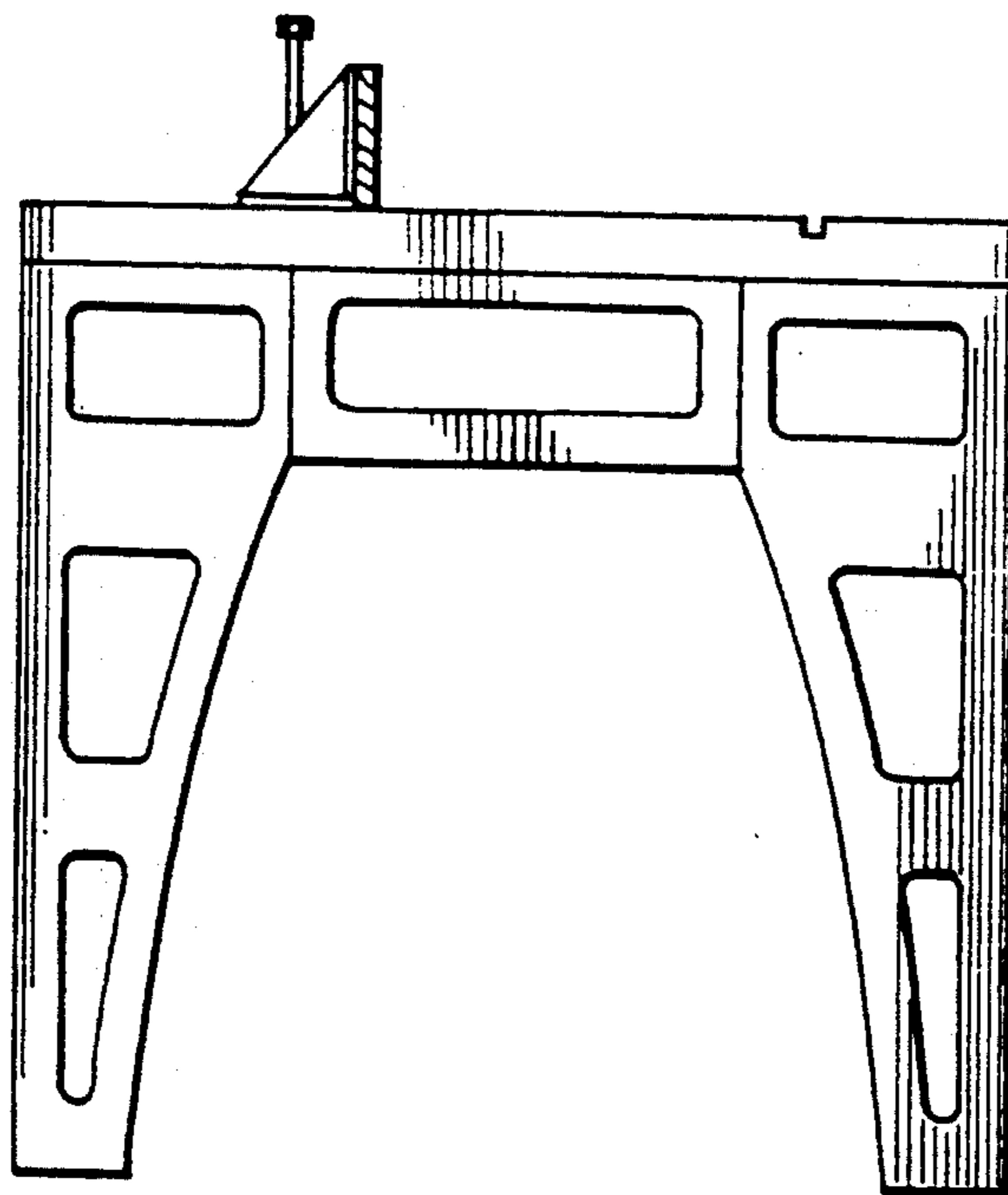


FIG. 6