



US00D337893S

United States Patent [19]

[11] Patent Number: **Des. 337,893**

Norman

[45] Date of Patent: **** Aug. 3, 1993**

[54] **GARMENT HANGER BODY**

[75] Inventor: **Michael D. Norman, Edison, N.J.**

[73] Assignee: **A & E Products Group, a Division of Carlisle Plastics, Inc., Woodbridge, N.J.**

[**] Term: **14 Years**

[21] Appl. No.: **732,328**

[22] Filed: **Jul. 16, 1991**

[52] U.S. Cl. **D6/326; D6/328**

[58] Field of Search **D6/326, 328; 211/113; 24/507, 511; 223/85, 91, 93, 95, 96**

[56] **References Cited**

U.S. PATENT DOCUMENTS

| | | | | |
|------------|---------|----------|-------|--------|
| D. 243,138 | 1/1977 | Coon | | D6/326 |
| D. 271,649 | 12/1983 | Batts | | D6/326 |
| D. 298,387 | 11/1988 | Duester | | D6/328 |
| D. 299,086 | 12/1988 | Wilson | | D6/326 |
| D. 301,808 | 6/1989 | Marshall | | D6/326 |

| | | | | |
|-----------|--------|----------------|-------|--------|
| 4,826,056 | 5/1989 | Duester et al. | | 223/96 |
| 5,020,705 | 6/1991 | Garrison | | 223/85 |
| 5,082,153 | 1/1992 | Duester et al. | | 223/96 |

Primary Examiner—**B. J. Bullock**
Attorney, Agent, or Firm—**Blum Kaplan**

[57] **CLAIM**

The ornamental design for a garment hanger body, as shown and described.

DESCRIPTION

FIG. 1 is a perspective view of a garment hanger body showing my new design, the clamps being shown in the open condition;

FIG. 2 is an enlarged front elevational view thereof;

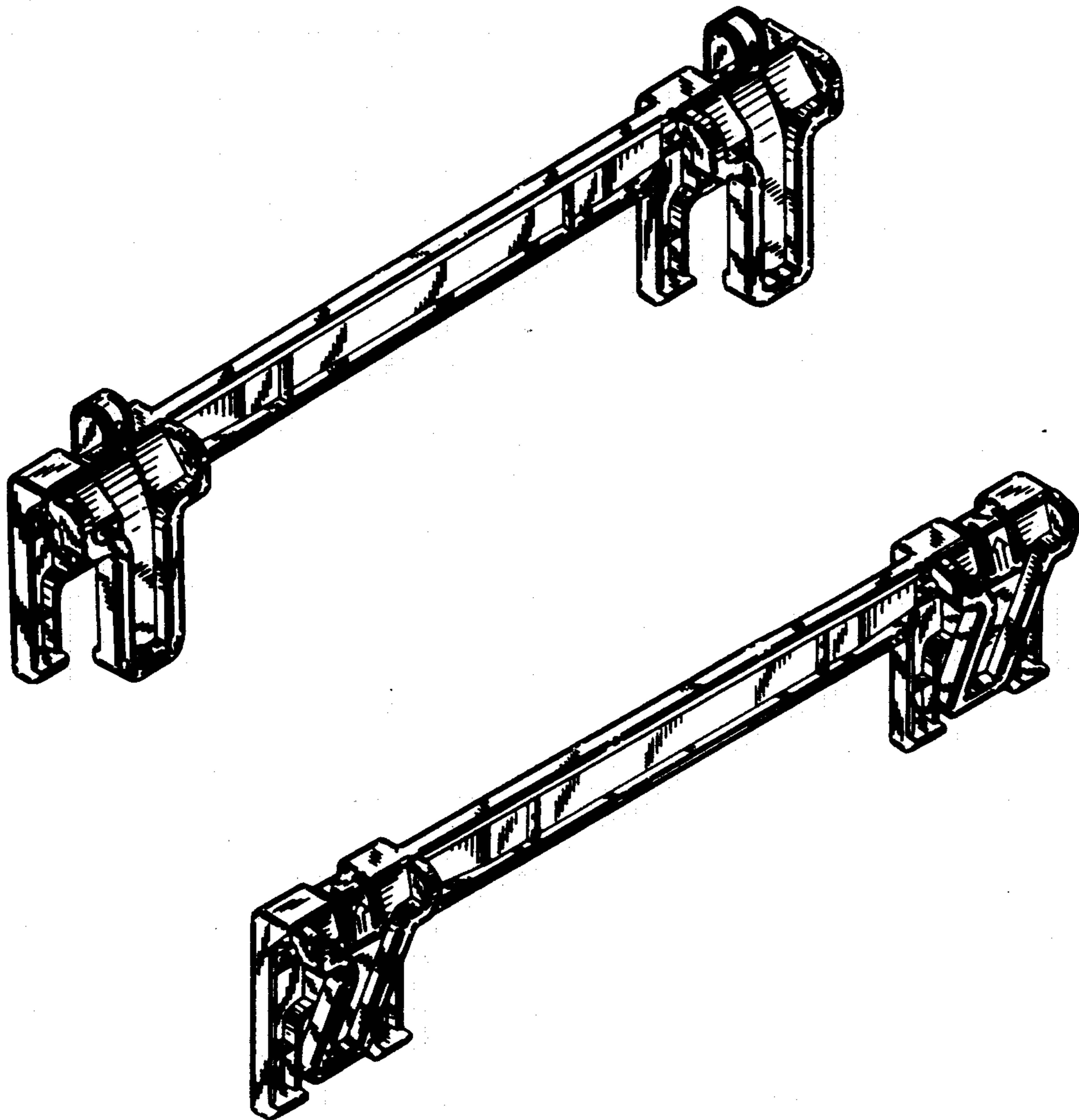
FIG. 3 is an enlarged top plan view thereof;

FIG. 4 is an enlarged right side elevational view thereof, the left side being a mirror image thereof;

FIG. 5 is an enlarged rear elevational view thereof;

FIG. 6 is an enlarged top plan view thereof; and,

FIG. 7 is a perspective view thereof, the clamps being shown in the closed condition.



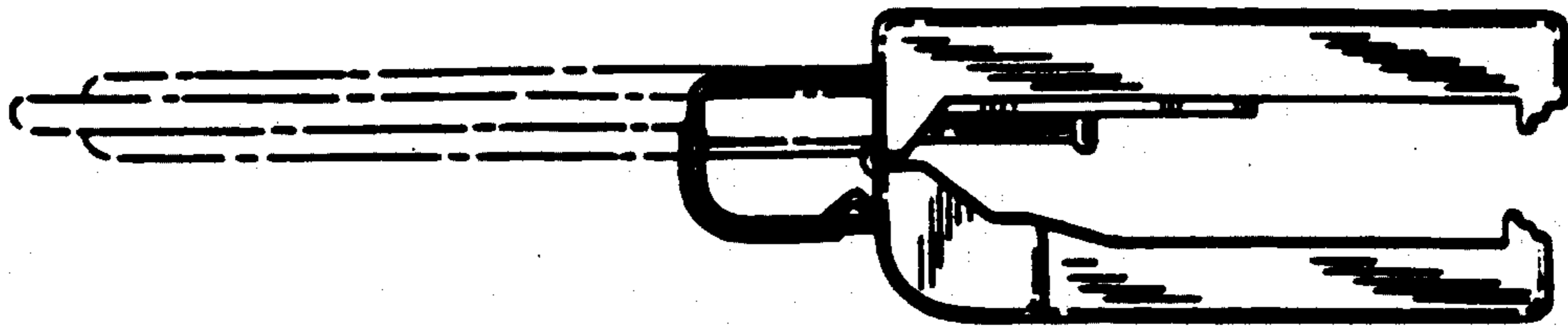


FIG. 4

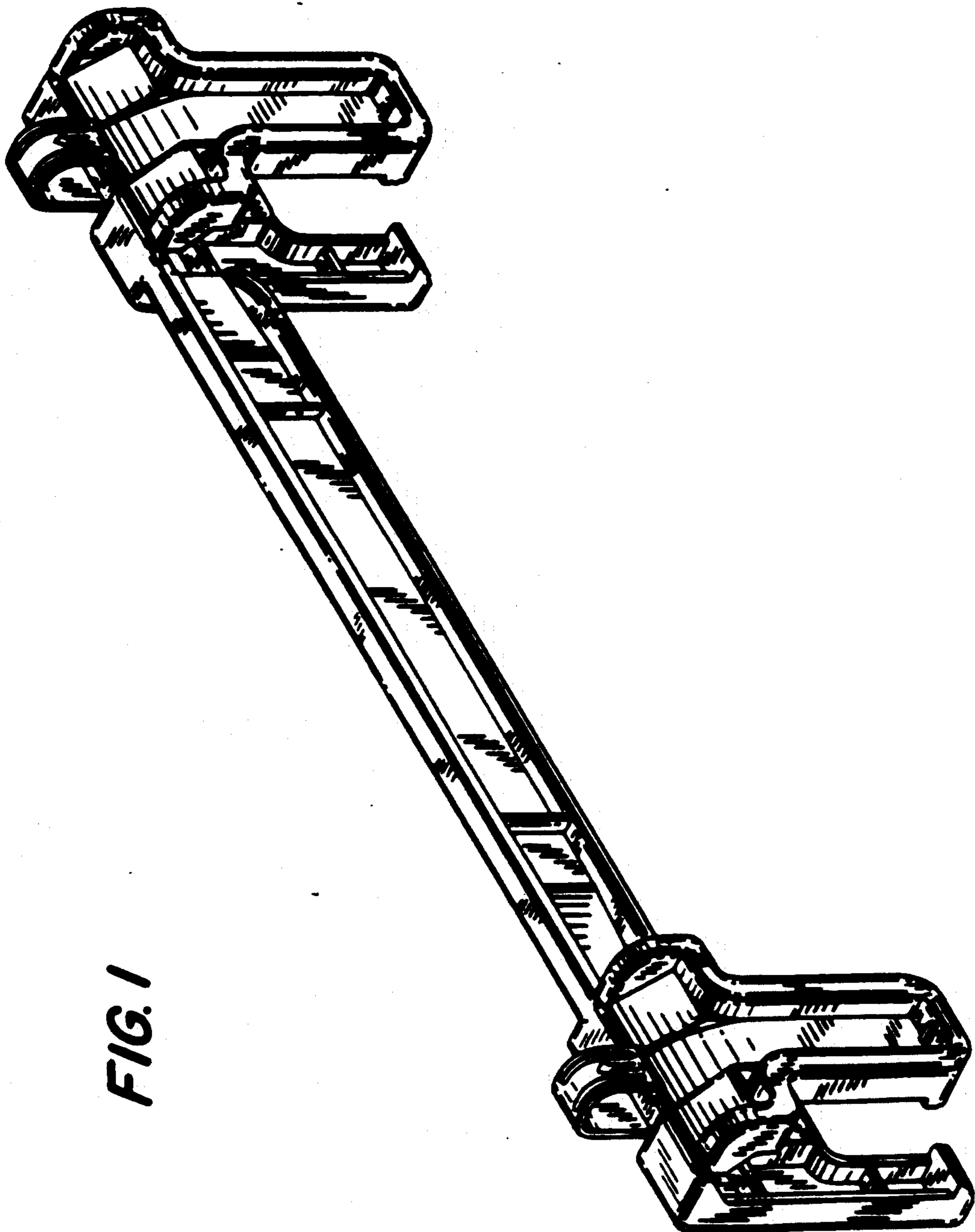


FIG. 1

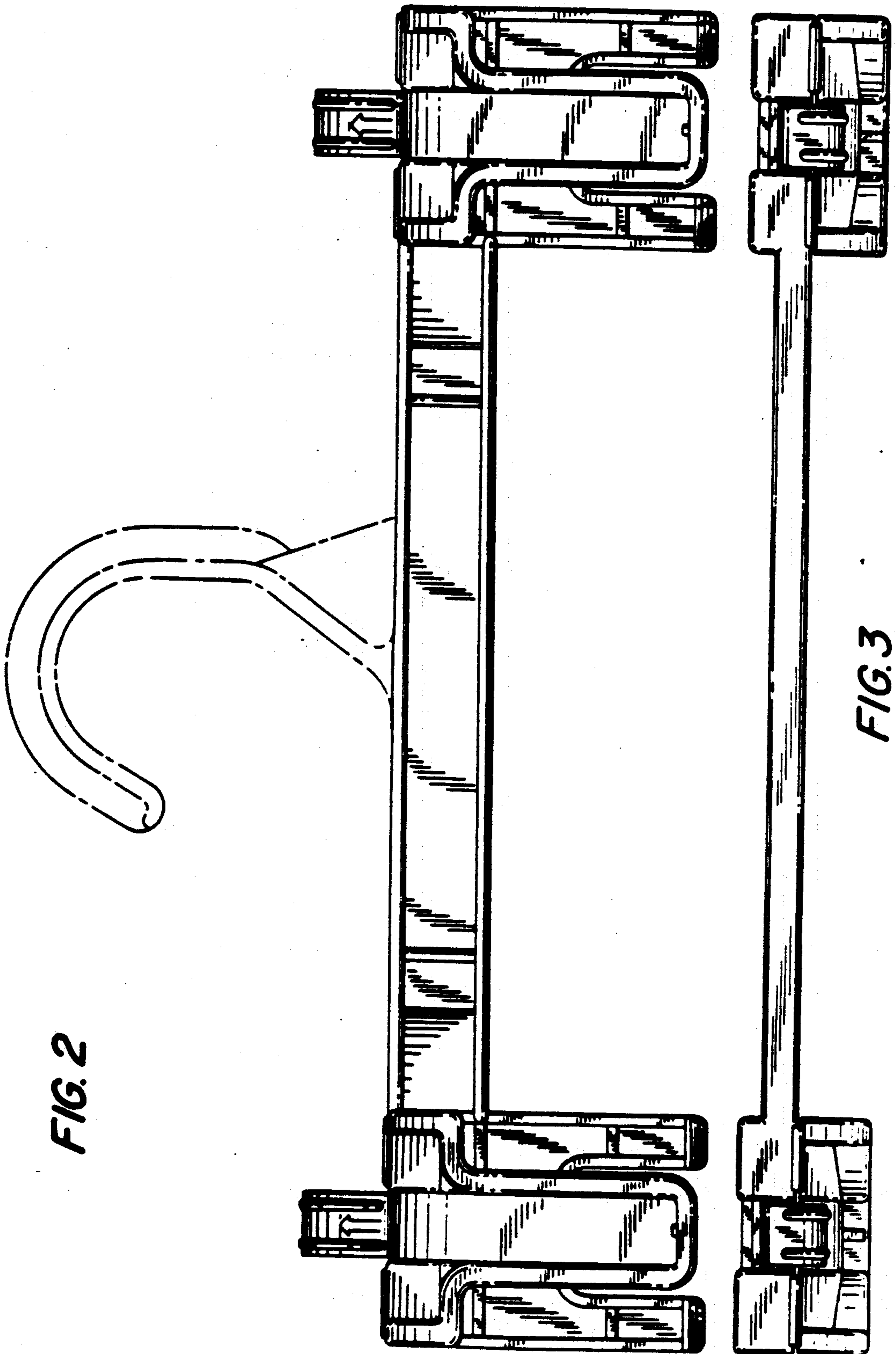


FIG. 2

FIG. 3

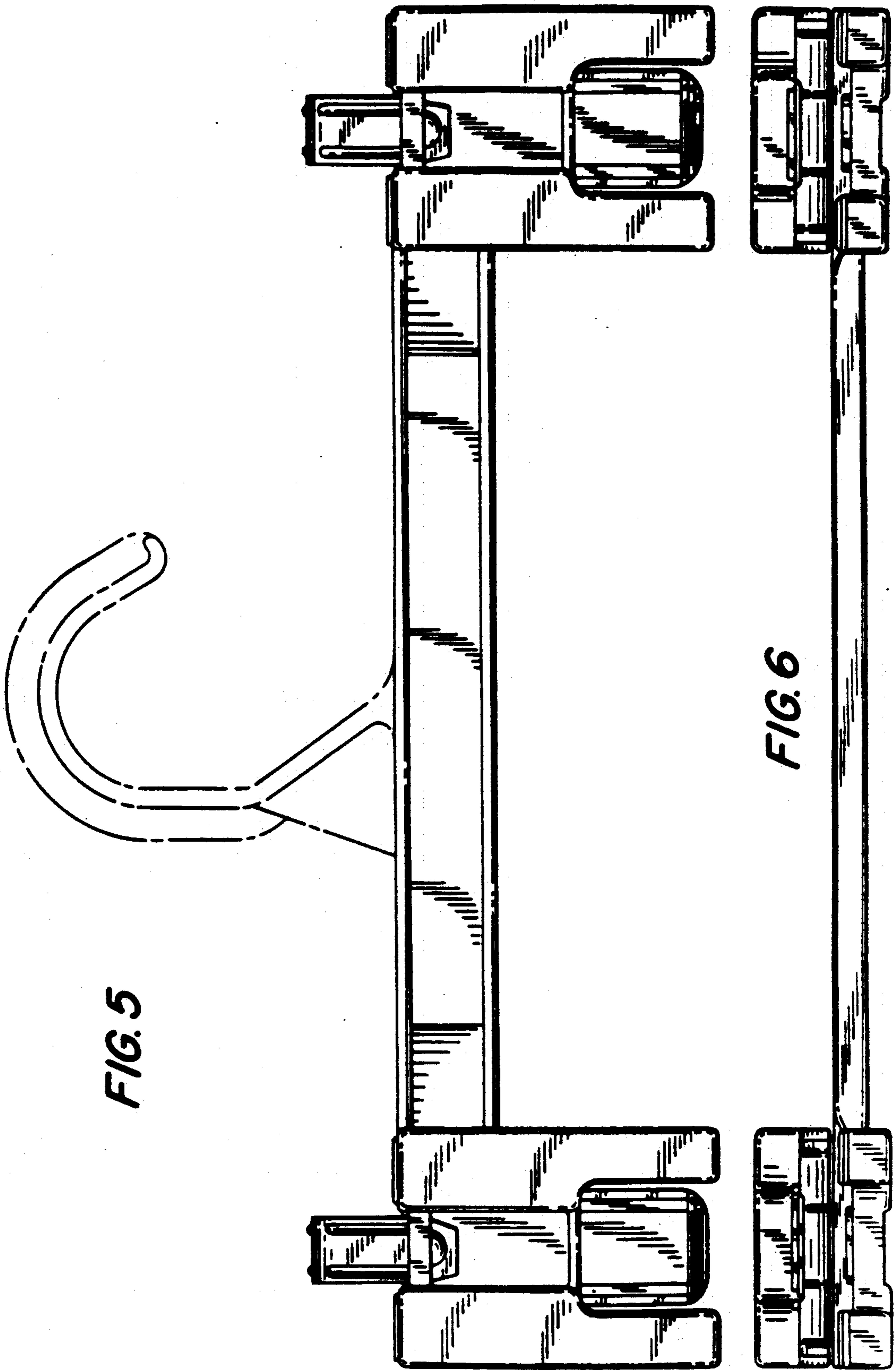


FIG. 5

FIG. 6

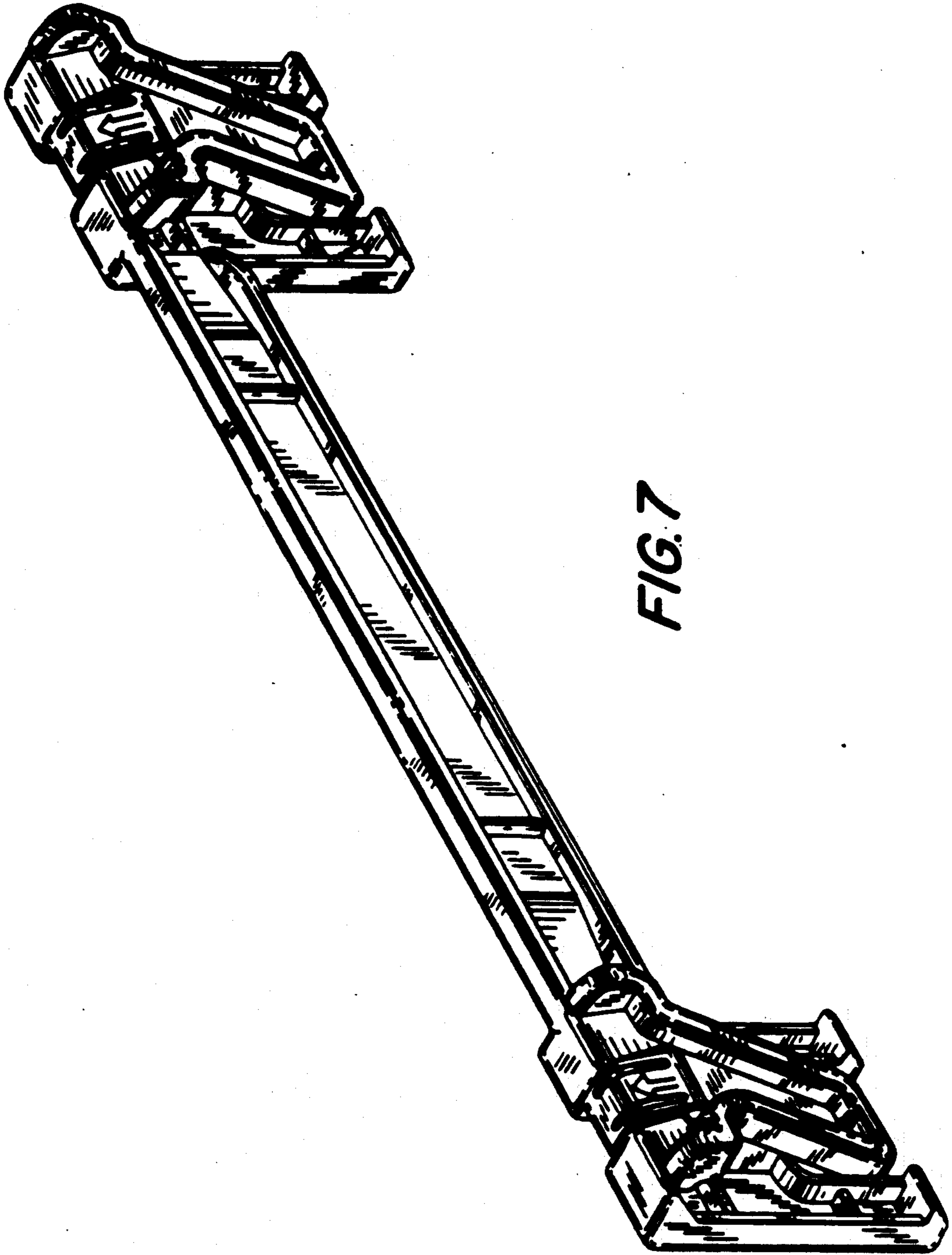


FIG. 7