



US00D337886S

# United States Patent [19]

[11] Patent Number: Des. 337,886

Feinbloom

[45] Date of Patent: \*\* Aug. 3, 1993

[54] CARRYING CASE FOR TELESCOPIC TRIAL FRAME

[75] Inventor: Richard E. Feinbloom, New York, N.Y.

[73] Assignee: Designs for Vision, Inc., Ronkonkoma, N.Y.

[\*\*] Term: 14 Years

[21] Appl. No.: 710,305

[22] Filed: Jun. 4, 1991

[52] U.S. Cl. .... D3/74

[58] Field of Search ..... D3/74, 77, 33, 34, 35, D3/30.1, 78, 73, 76, 78, 99, 100, 106; D34/19; 206/472, 566, 387, 1.5, 570, 370, 316.2; 190/107, 109, 111, 112, 115, 150, 900, 903, 50, 53

[56] References Cited

### U.S. PATENT DOCUMENTS

- D. 213,601 3/1969 Benke ..... D3/38
- D. 269,735 7/1983 Bunetta ..... D3/39
- D. 275,530 9/1984 Duckworth ..... D3/66 X
- 620,984 3/1899 Smith ..... 206/316.1 X

- 779,734 1/1905 Quackenbush ..... 206/585 X
- 1,610,146 12/1926 Panzer ..... 190/109
- 2,107,194 2/1938 Yacker et al. .... 190/109 X
- 2,382,061 8/1945 Janchick ..... D3/39 X
- 2,990,715 7/1961 Bradt ..... D3/78 X
- 4,093,010 6/1978 Hunley et al. .... 206/316.2
- 4,763,791 8/1988 Halverson et al. .... 206/570

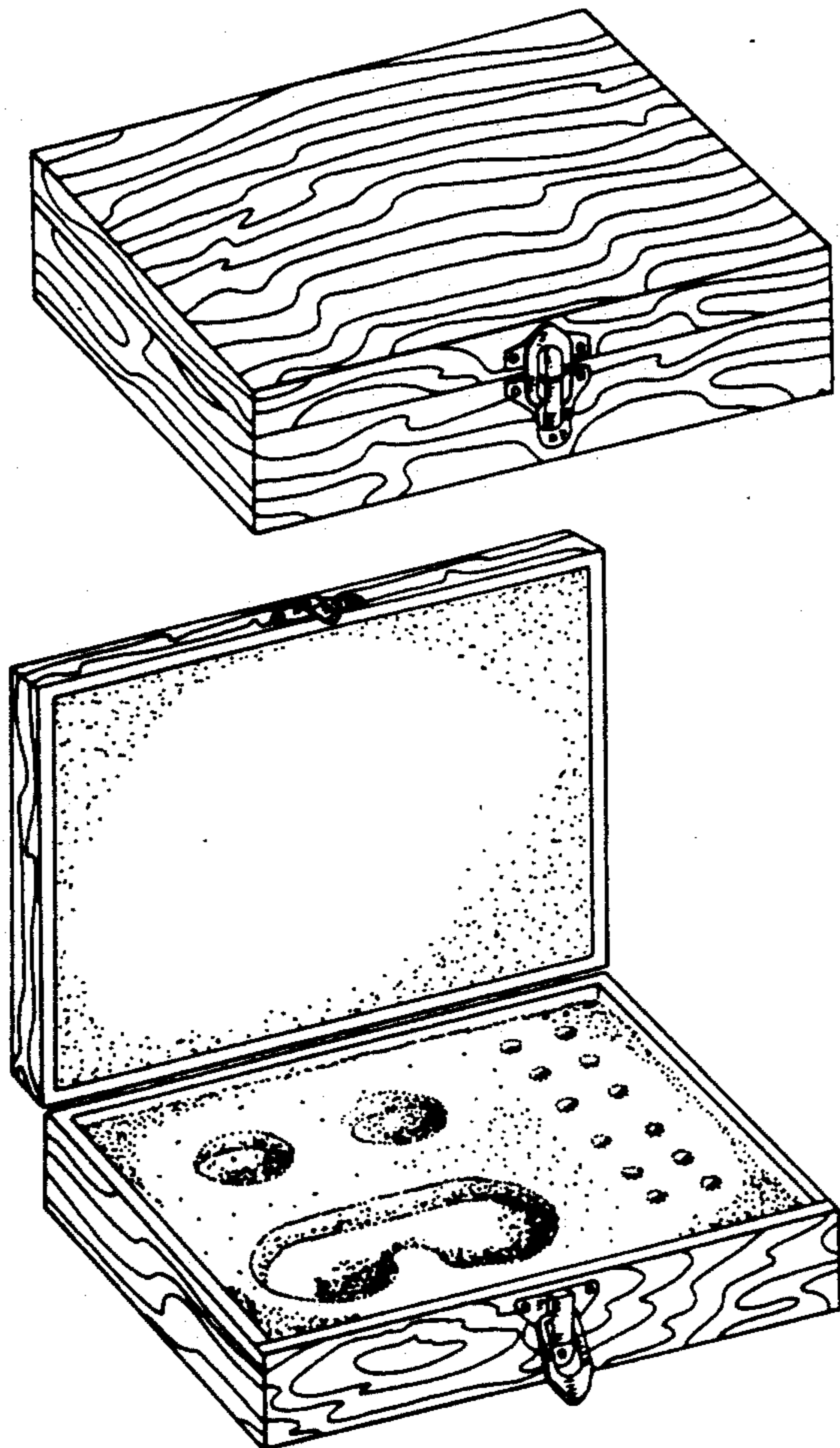
Primary Examiner—Bernard Ansher  
Assistant Examiner—Paula A. Mortimer  
Attorney, Agent, or Firm—Arthur L. Plevy

### [57] CLAIM

The ornamental design for a carrying case for telescopic trial frame, as shown and described.

### DESCRIPTION

FIG. 1 is a front perspective view of a carrying case for telescopic trial frame showing my new design; FIG. 2 is a perspective view depicting the carrying case in an open position; FIG. 3 is a bottom view depicting the carrying case for telescopic trial frame; FIG. 4 is a side view depicting the carrying case for telescopic trial frame; and, FIG. 5 is a rear view depicting the carrying case for telescopic trial frame.



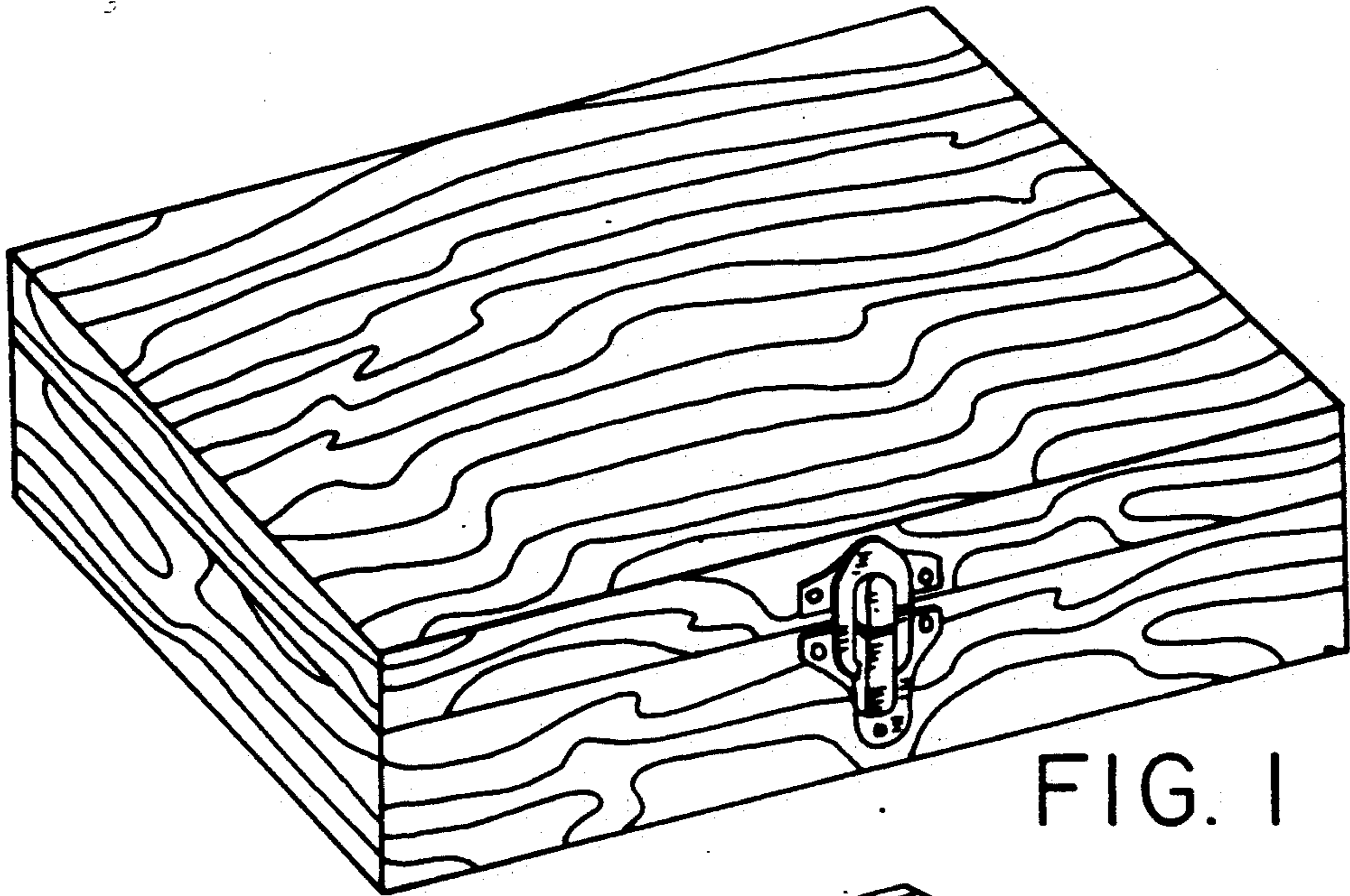


FIG. 1

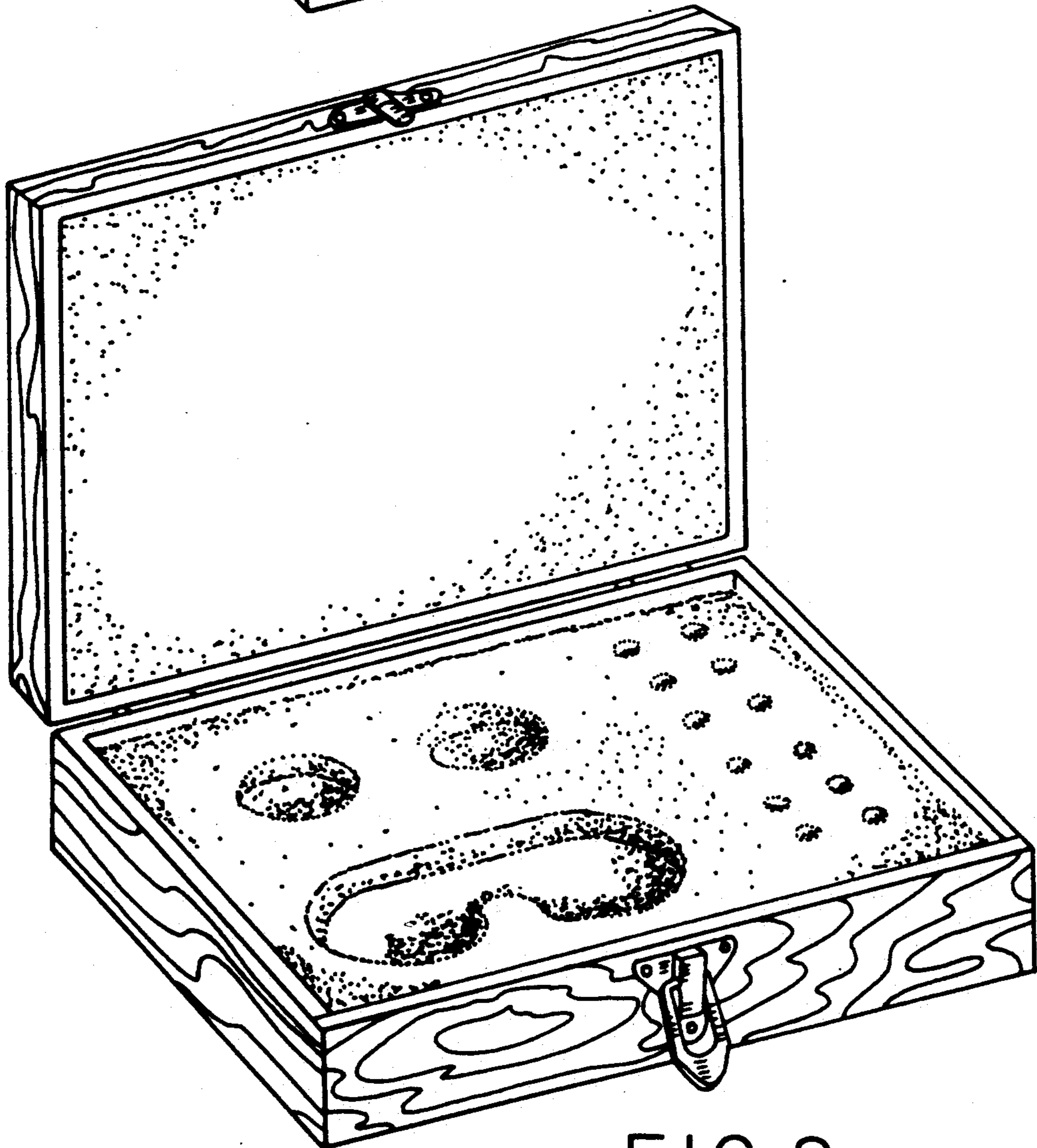


FIG. 2

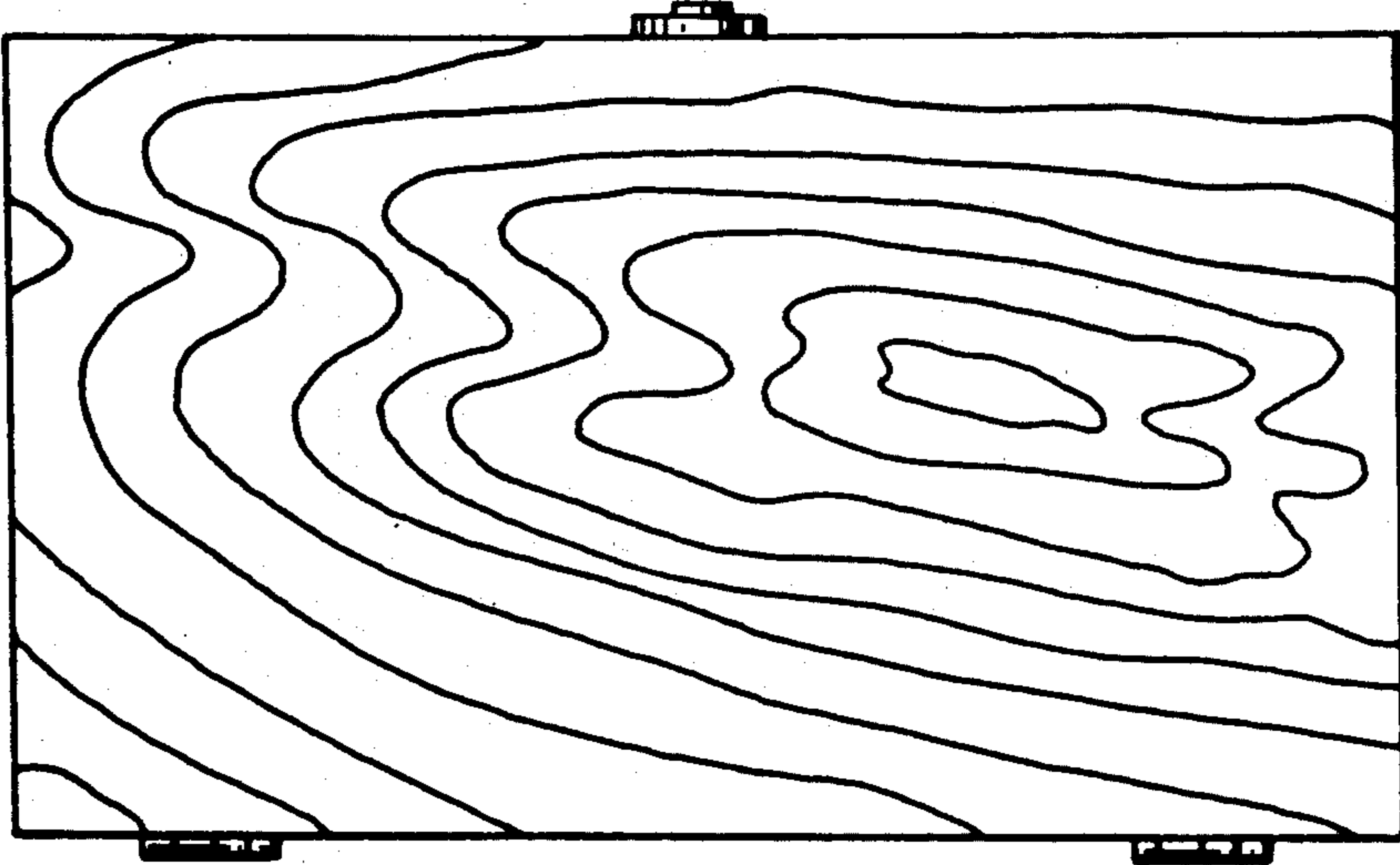


FIG. 3

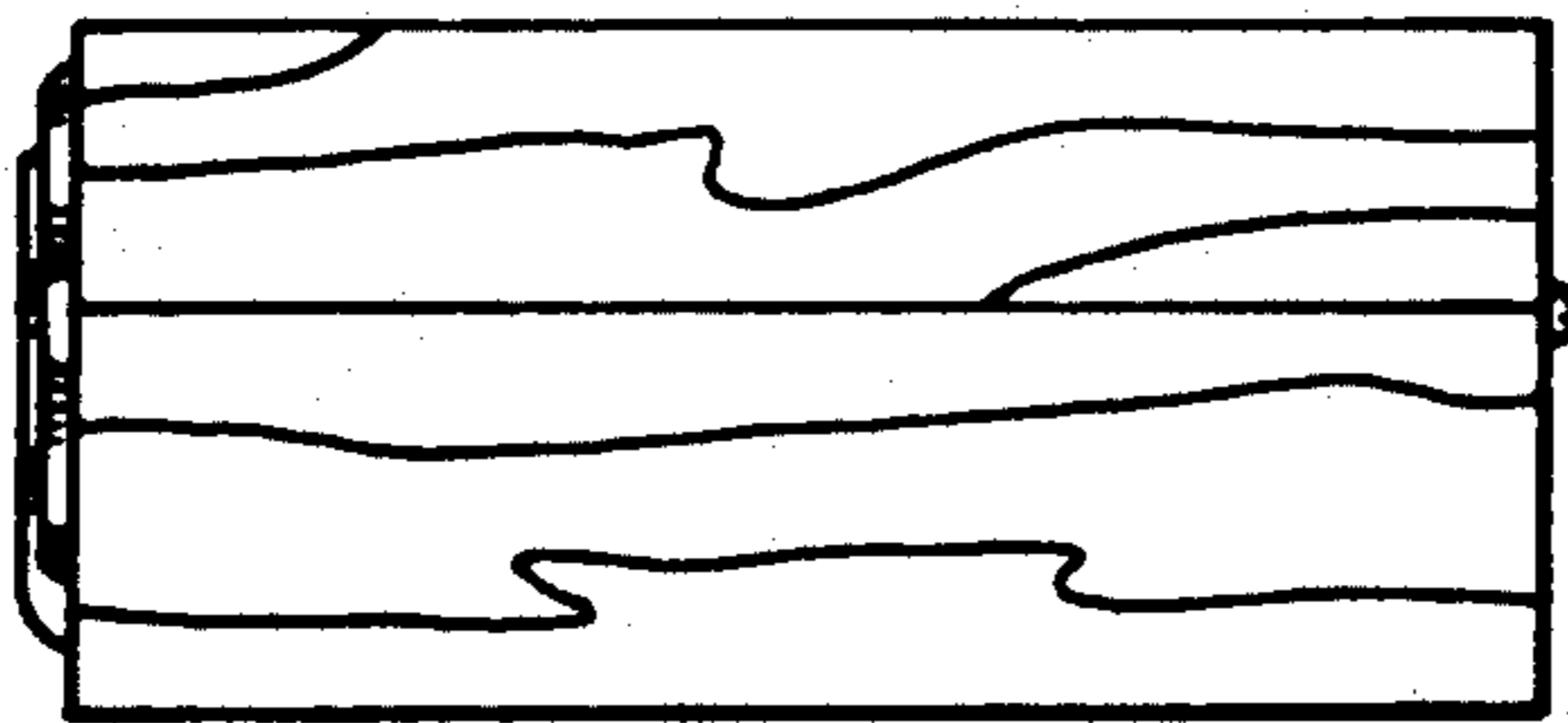


FIG. 4

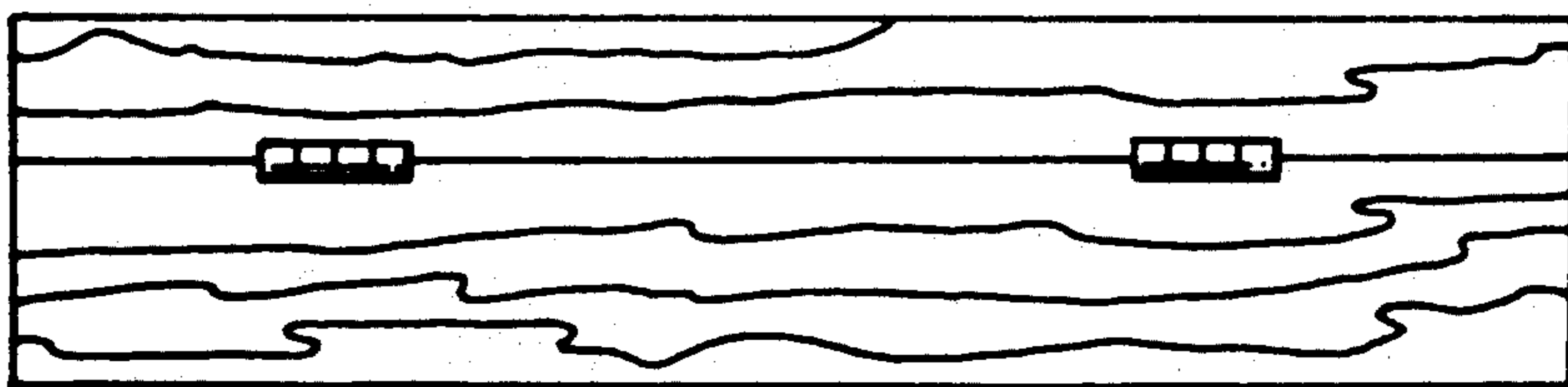


FIG. 5