



US00D337875S

United States Patent [19]

Peters et al.

[11] Patent Number: **Des. 337,875**

[45] Date of Patent: **** Aug. 3, 1993**

[54] **ELASTIC EYESTAY FOR RECEIVING FOOTWEAR LACING**

4,394,803 7/1983 Goldstein 36/51
4,811,500 3/1989 Maccano 36/91

[75] Inventors: **Thomas Peters, St. Louis, Mo.; Enu H. Woo, Pusan, Rep. of Korea; James Granville, Chesterfield, Mo.**

[73] Assignee: **Pagoda Trading Co., Inc., St. Louis, Mo.**

[**] Term: **14 Years**

[21] Appl. No.: **753,620**

[22] Filed: **Aug. 30, 1991**

[52] U.S. Cl. **D2/314**

[58] Field of Search **D2/264, 265, 308-314, D2/315, 316; 36/50, 51, 45, 83, 84, 115, 101-107, 112-114, 132, 136; 24/140-142**

[56] **References Cited**

U.S. PATENT DOCUMENTS

D. 306,370	3/1990	Selbiger	D2/310	X
D. 309,667	8/1990	Aveni	D2/314	
D. 313,885	1/1991	Richard et al.	D2/314	
D. 319,722	9/1991	Hafield	D2/314	
D. 324,760	3/1992	Rogers	D2/314	
2,539,761	7/1948	Whitman	36/2.5	
4,188,735	2/1980	Hahn	36/11.5	
4,270,285	6/1981	Antonious	36/51	X
4,275,513	6/1981	Antonious	36/50	
4,282,657	8/1981	Antonious	36/114	X

FOREIGN PATENT DOCUMENTS

19703	of 1908	Australia	.
2536964	6/1984	France	.
2605194	4/1988	France	.
197262	4/1938	Switzerland	.
160318	3/1921	United Kingdom	.
220141	8/1924	United Kingdom	.

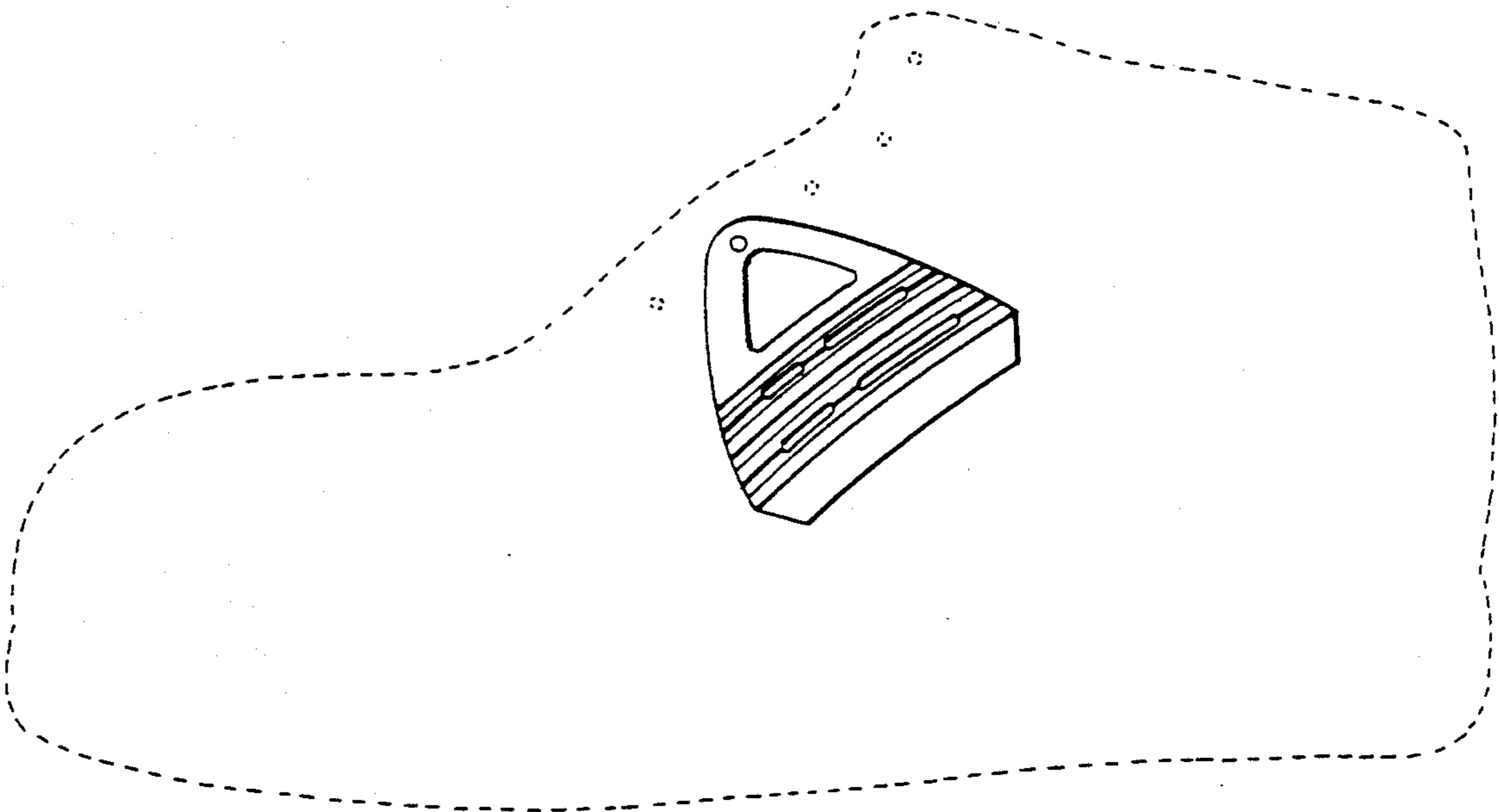
Primary Examiner—Louis S. Zarfaz
Attorney, Agent, or Firm—Sandler, Greenblum & Bernstein

[57] **CLAIM**

The ornamental design for an elastic eyestay for receiving footwear lacing, as shown and described.

DESCRIPTION

FIG. 1 is a front perspective view of an elastic eyestay for receiving footwear lacing showing our new design; FIG. 2 is a front elevational view thereof; FIG. 3 is a rear elevational view thereof; FIG. 4 is a top plan view thereof; FIG. 5 is a bottom plan view thereof; FIG. 6 is a right-hand side elevational view thereof; and, FIG. 7 is a left-hand side elevational view thereof. The broken line showing of an article of footwear in FIG. 1 is for illustrative purposes only and forms no part of the claimed design.



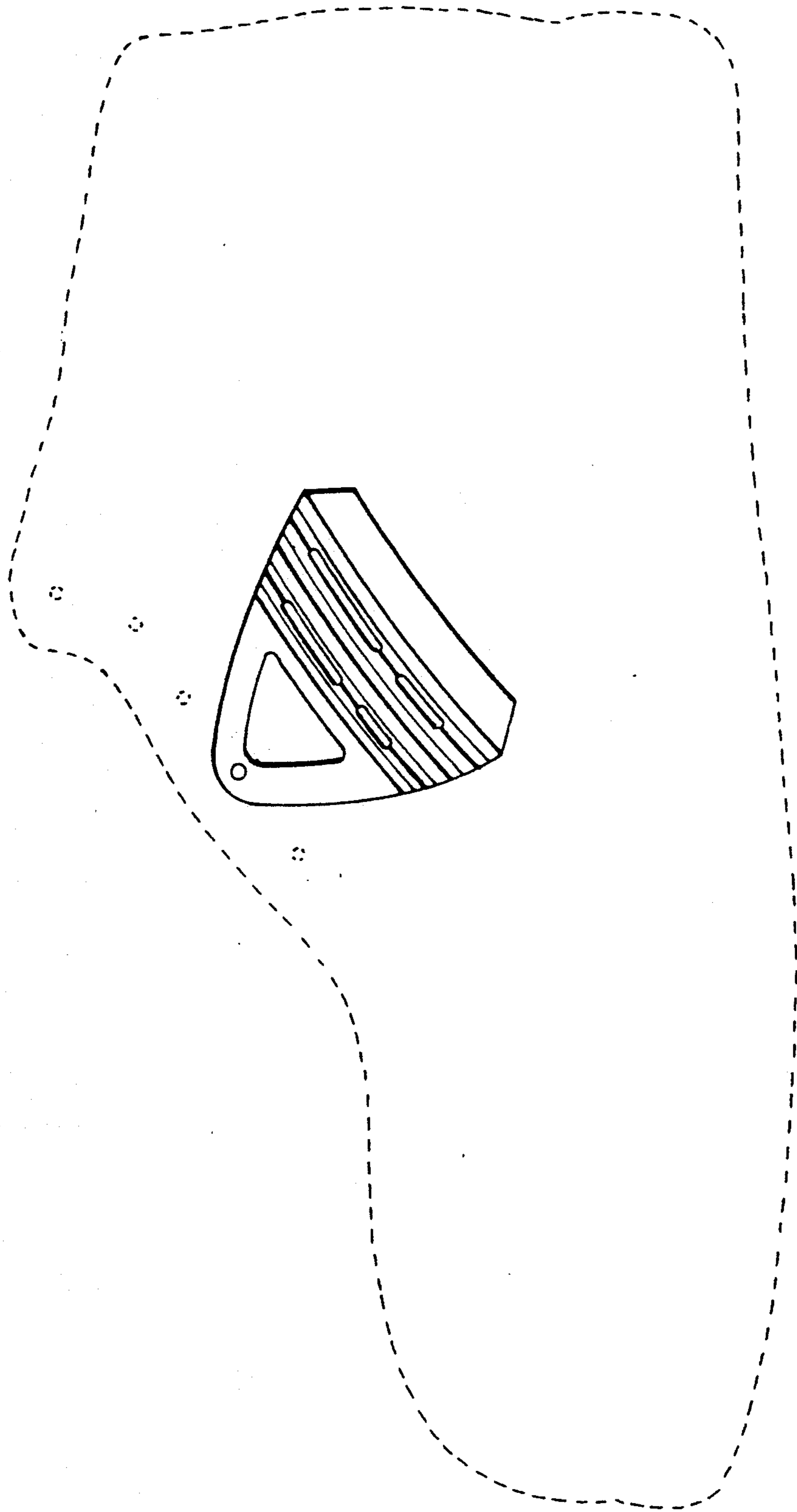


FIG- 1

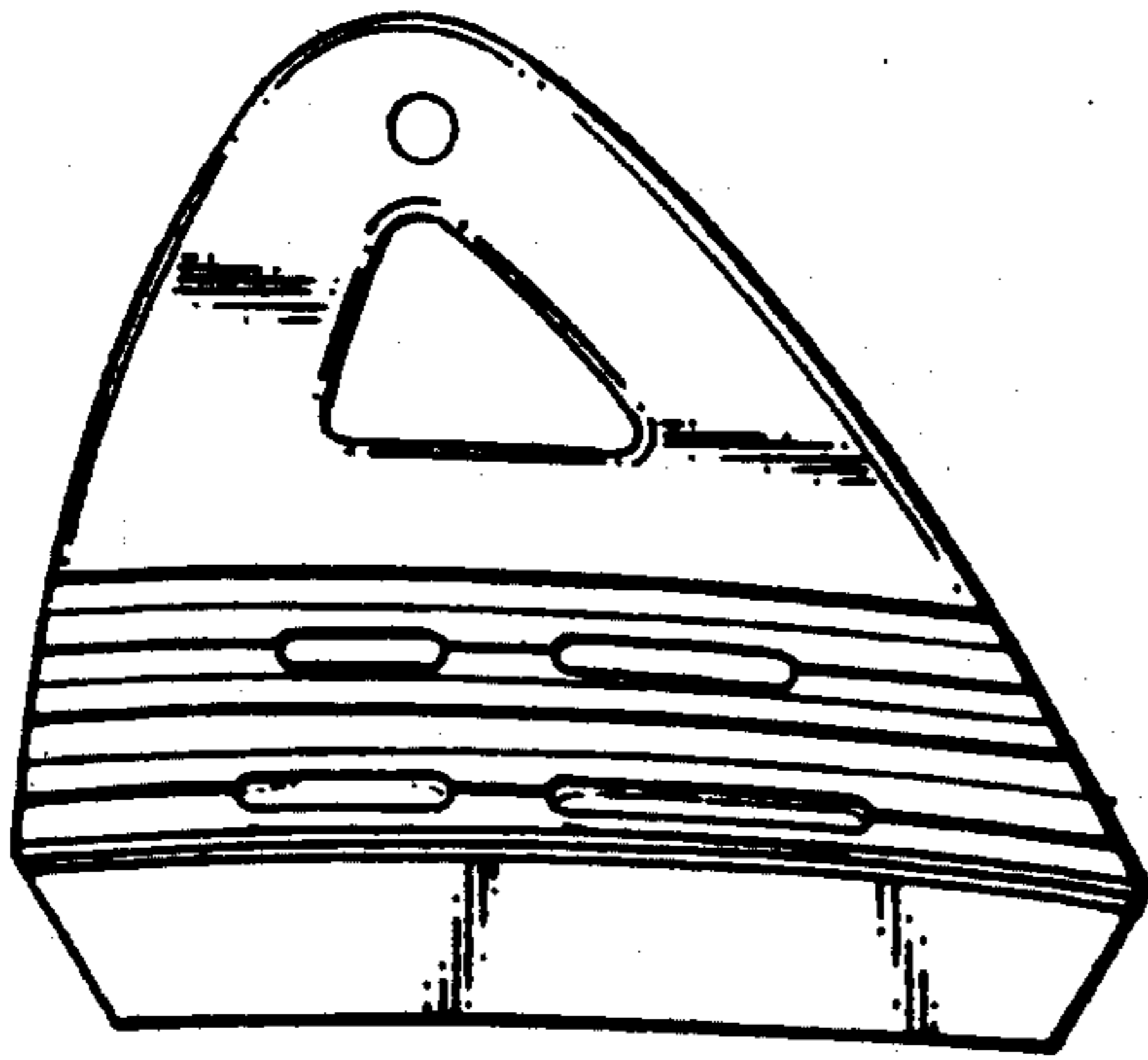


Fig - 2

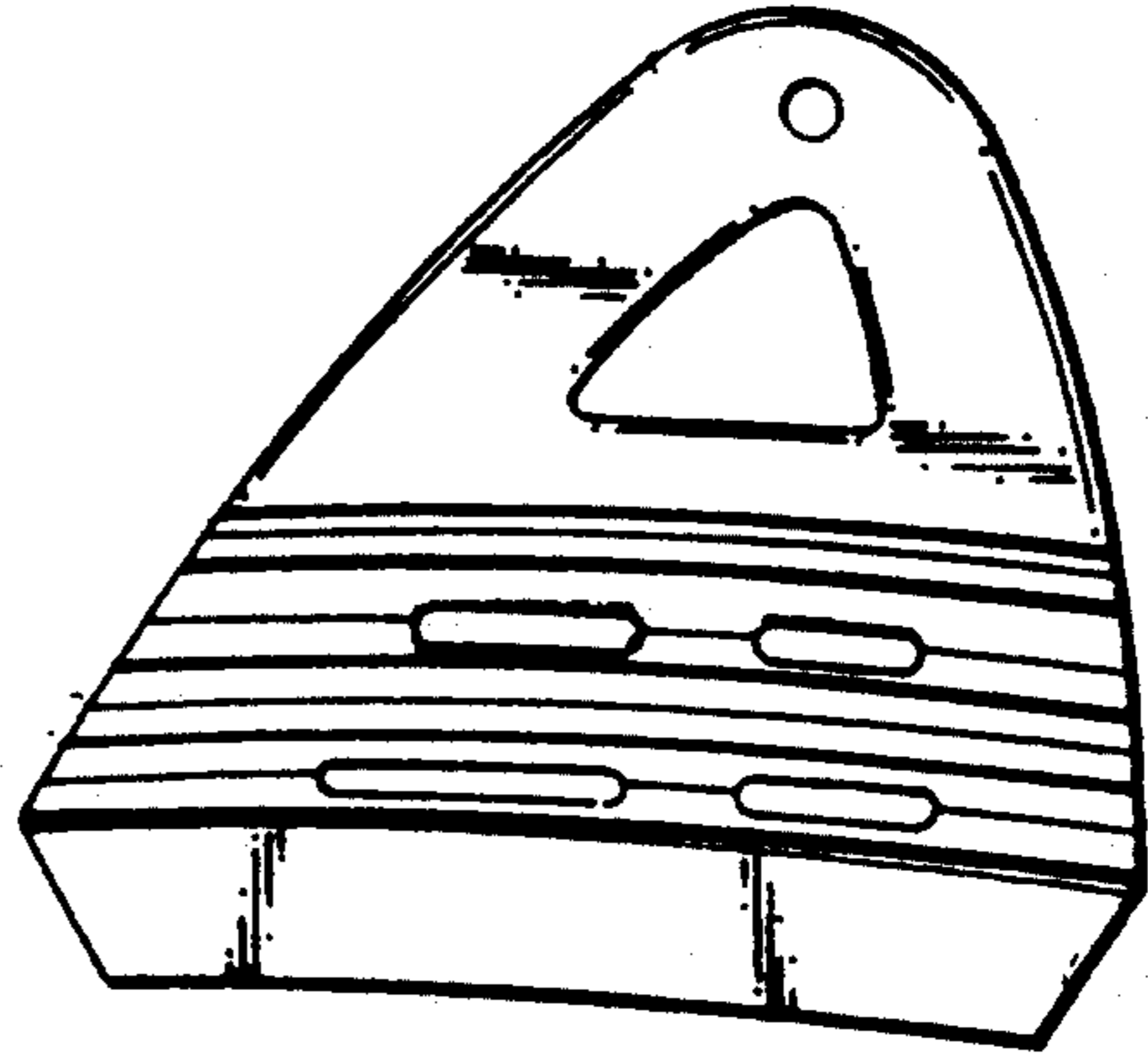


Fig - 3

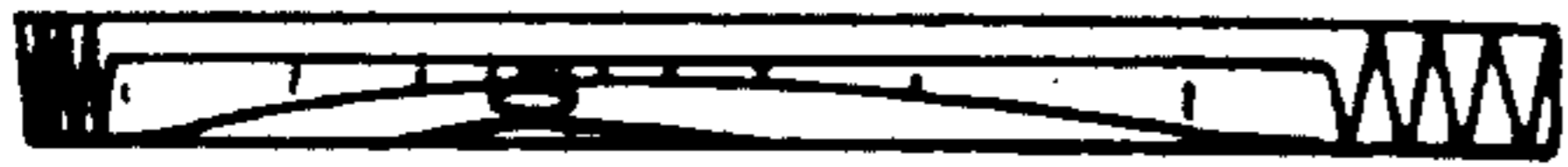


Fig - 4



Fig - 5



Fig - 6



Fig - 7