



US00D337856S

# United States Patent [19]

[11] Patent Number: Des. 337,856

Butler et al.

[45] Date of Patent: \*\* Jul. 27, 1993

[54] SUNTAN LOTION DISPENSER

[76] Inventors: Scott E. Butler; Margaret A. Butler,  
both of 22 School St., Lake  
Ronkonkoma, N.Y. 11779

[\*\*] Term: 14 Years

[21] Appl. No.: 578,851

[22] Filed: Sep. 6, 1990

[52] U.S. Cl. .... D28/7; D4/122

[58] Field of Search ..... D28/7; D4/121, 122;  
401/6, 196, 197; 15/230.11

4,171,171	10/1979	Jones .....	401/150
4,727,616	3/1988	Kucera et al. ....	15/230.11 X
4,735,522	4/1988	Myun-Sik .....	401/197
4,747,720	5/1988	Bellehumeur .....	401/196
4,861,180	8/1989	Adams .....	401/195

Primary Examiner—Bernard Ansher  
Assistant Examiner—C. Tuttle  
Attorney, Agent, or Firm—Terry M. Gernstein

### [57] CLAIM

The ornamental design for a suntan lotion dispenser, as shown and described.

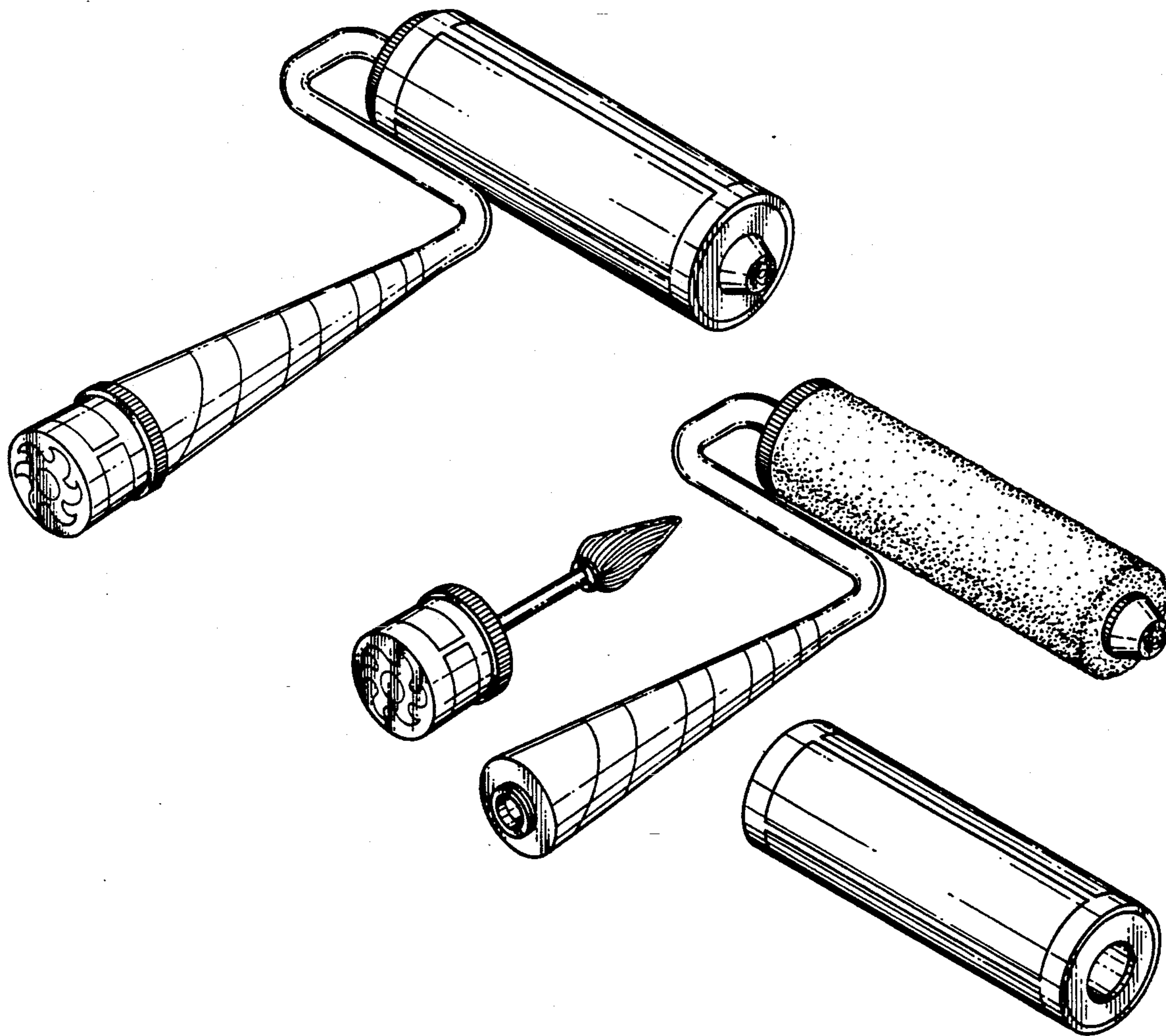
### DESCRIPTION

FIG. 1 is a perspective view of a suntan lotion dispenser showing our new design;  
FIG. 2 is an exploded perspective view thereof;  
FIG. 3 is a front elevational view thereof, the rear being a mirror image of the front shown;  
FIG. 4 is a side elevational view thereof;  
FIG. 5 is a side elevational view thereof;  
FIG. 6 is a top plan view thereof; and,  
FIG. 7 is a bottom view thereof.

### [56] References Cited

#### U.S. PATENT DOCUMENTS

D. 113,690	3/1939	Tresenberg .....	D28/7
D. 283,953	5/1986	Jacobson .....	D4/122
D. 293,742	1/1988	Call .....	D4/122 X
D. 307,949	5/1990	Wong .....	D28/7
D. 315,033	2/1991	Carugati .....	D28/7
2,644,186	7/1953	Guimond .....	15/230.11
3,268,948	8/1966	Melnyck .....	401/197 X



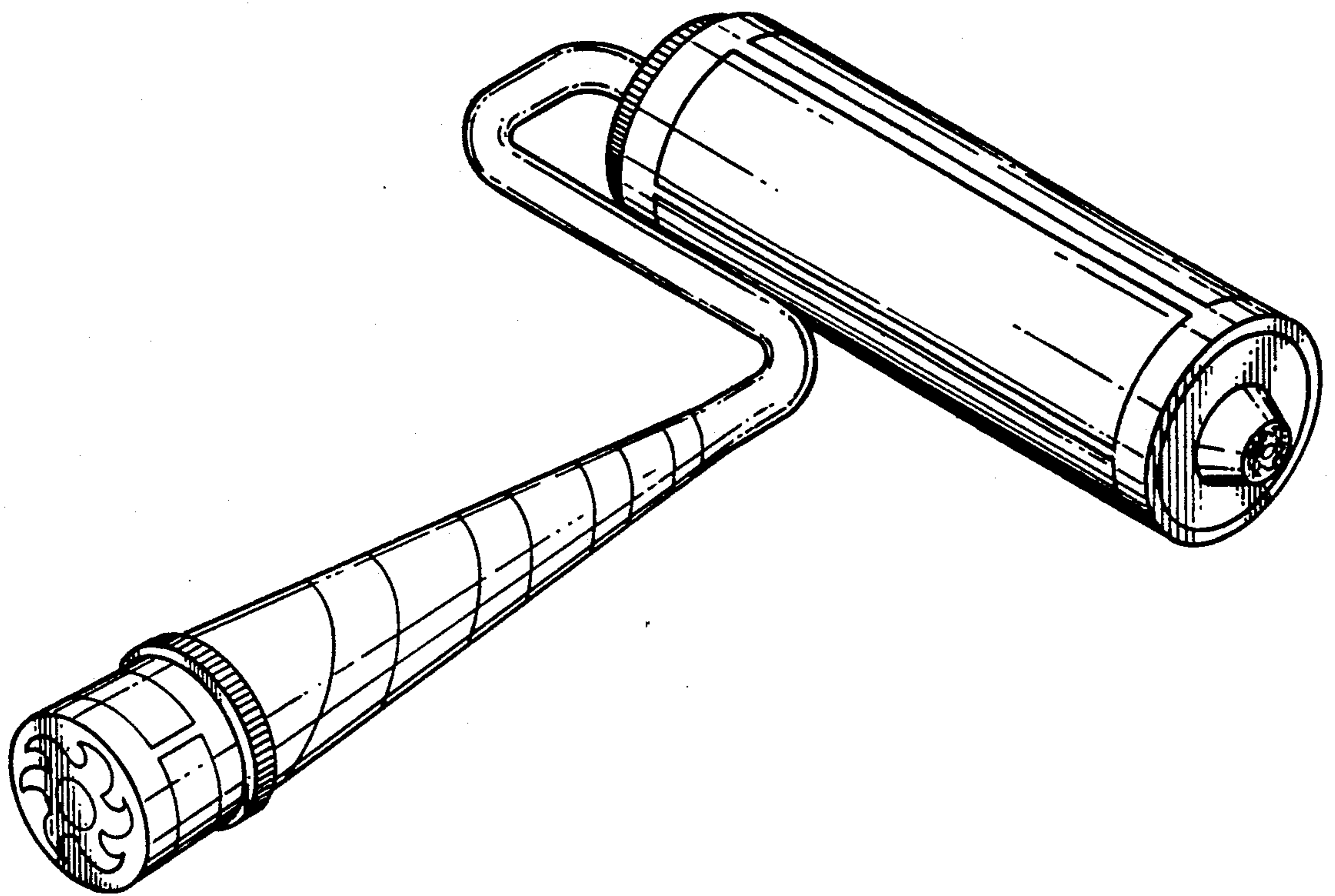
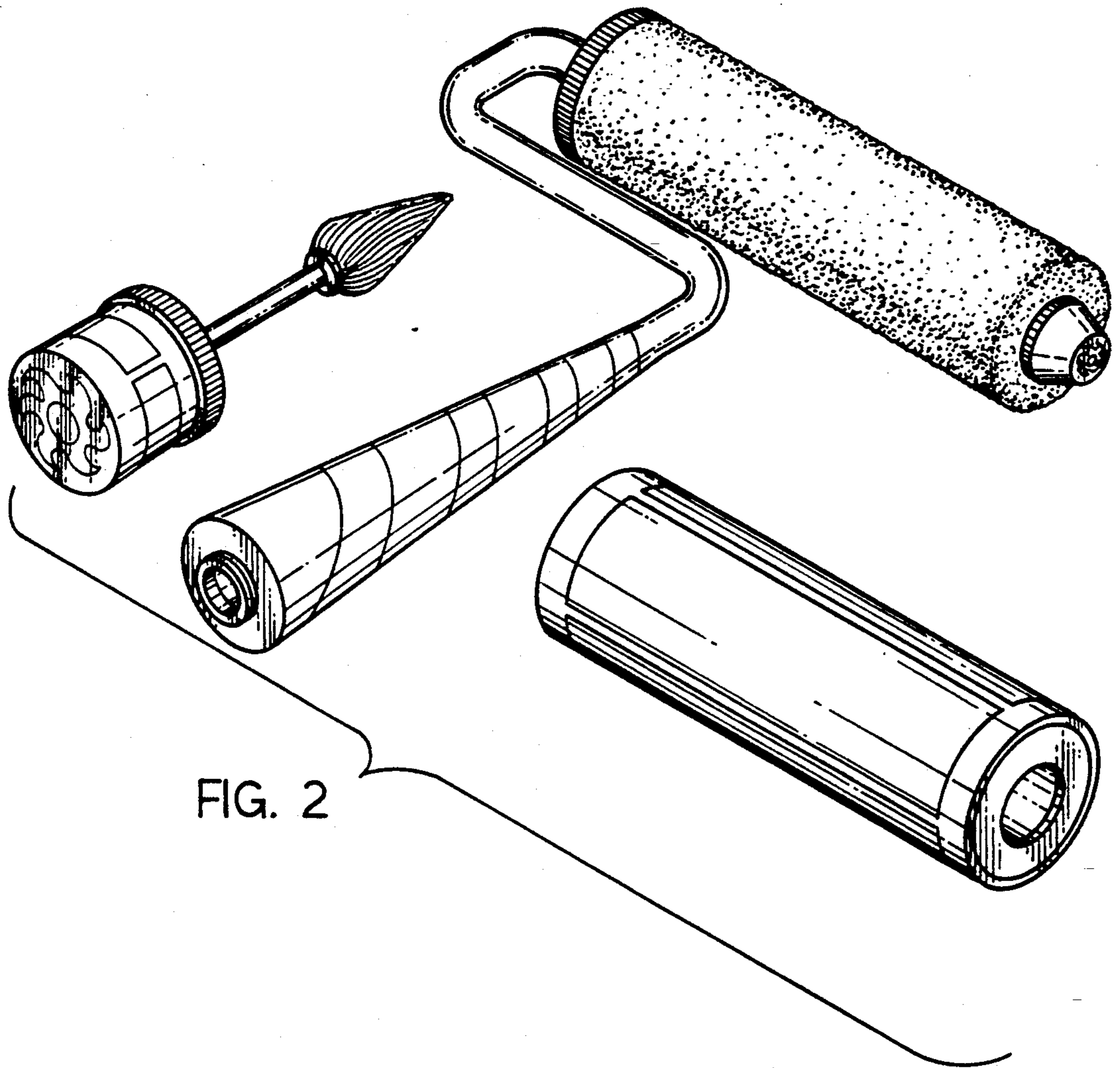


FIG. 1



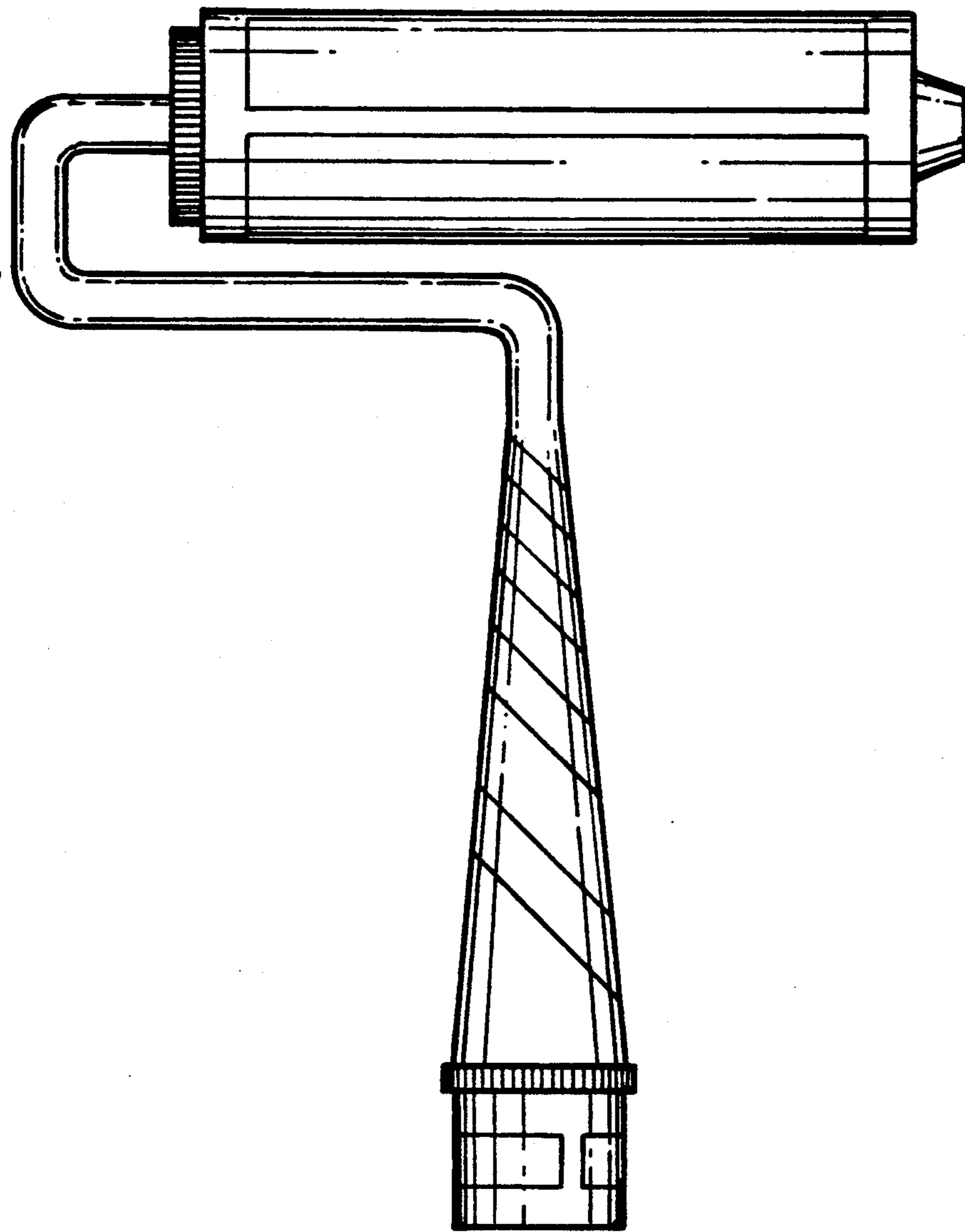


FIG. 3



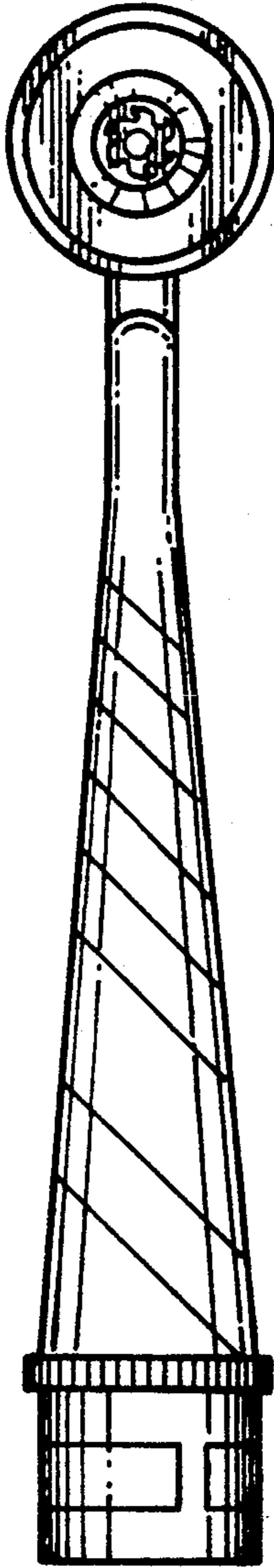


FIG. 4

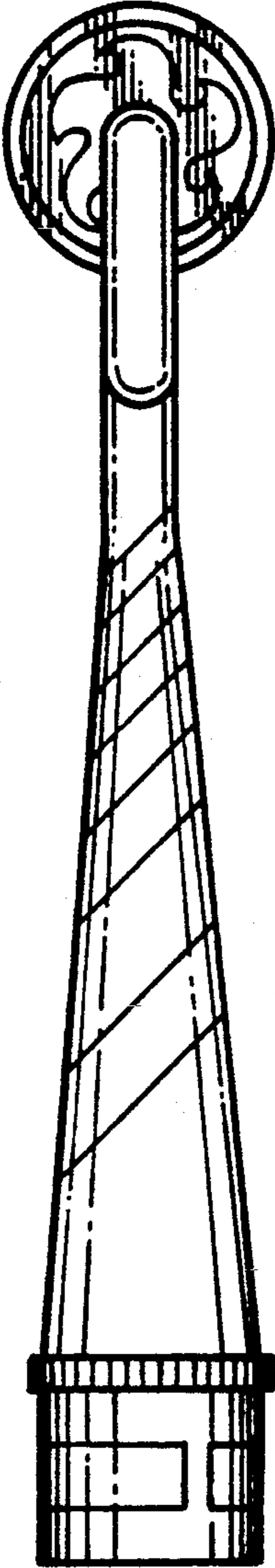


FIG. 5

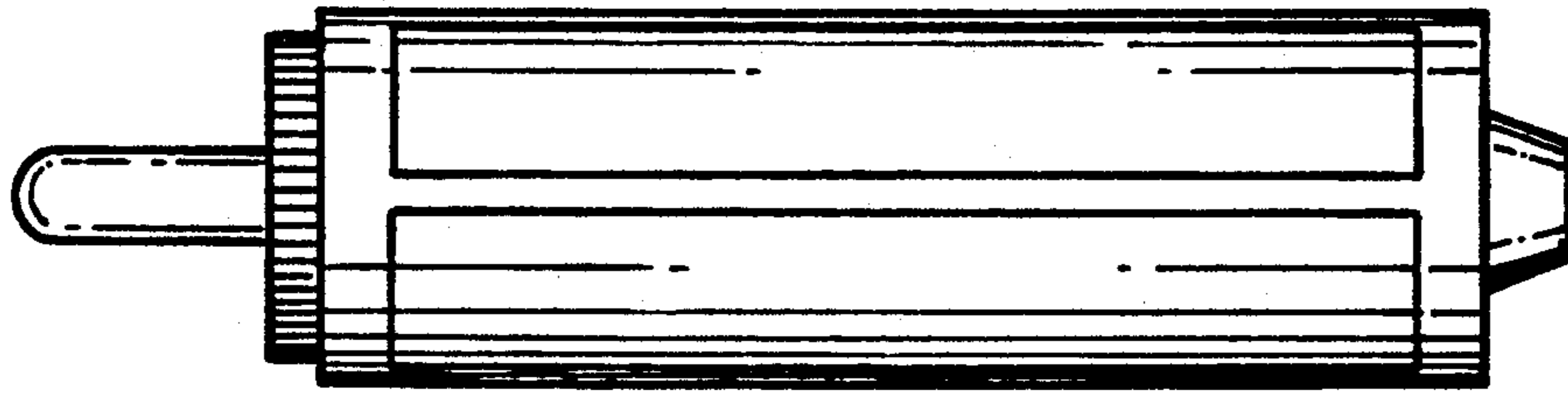


FIG. 6



FIG. 7