



US00D337853S

# United States Patent [19]

[11] Patent Number: **Des. 337,853**

**Bruzzi**

[45] Date of Patent: **\*\* Jul. 27, 1993**

[54] LIGHTER

[75] Inventor: **Gina Bruzzi, Lyon, France**  
[73] Assignee: **S. T. Dupont S.A., Paris, France**  
[\*\*] Term: **14 Years**

[21] Appl. No.: **748,333**  
[22] Filed: **Aug. 21, 1991**

[30] Foreign Application Priority Data  
Apr. 11, 1991 [FR] France ..... 91 2253  
[52] U.S. Cl. .... **D27/159**  
[58] Field of Search ..... D27/156-158,  
D27/159; 431/127-129, 132-141, 144

[56] References Cited

### U.S. PATENT DOCUMENTS

D. 233,612	11/1974	Moriya	.....	D27/157
D. 317,365	6/1991	Rousseau	.....	D27/150 X
2,419,889	4/1947	Florman	.....	431/134
2,461,890	2/1949	Fox	.....	431/134
2,690,067	9/1954	Aronson	.....	431/134 X
2,692,490	10/1954	Florman	.....	431/134 X
3,443,877	5/1969	Inagaki	.....	431/134

### FOREIGN PATENT DOCUMENTS

447356	5/1945	Canada	.....	431/134
3006996	9/1981	Fed. Rep. of Germany	.....	431/129
917886	1/1947	France	.....	431/134
642214	8/1950	United Kingdom	.....	431/134

### OTHER PUBLICATIONS

Deutsche Goldschmiede, Nov. 1965, p. 1238, Lighter, Item A at top of page.  
Colibri Catalog 1987, p. 15, Lighter, Item LTR4315 located in middle of page.

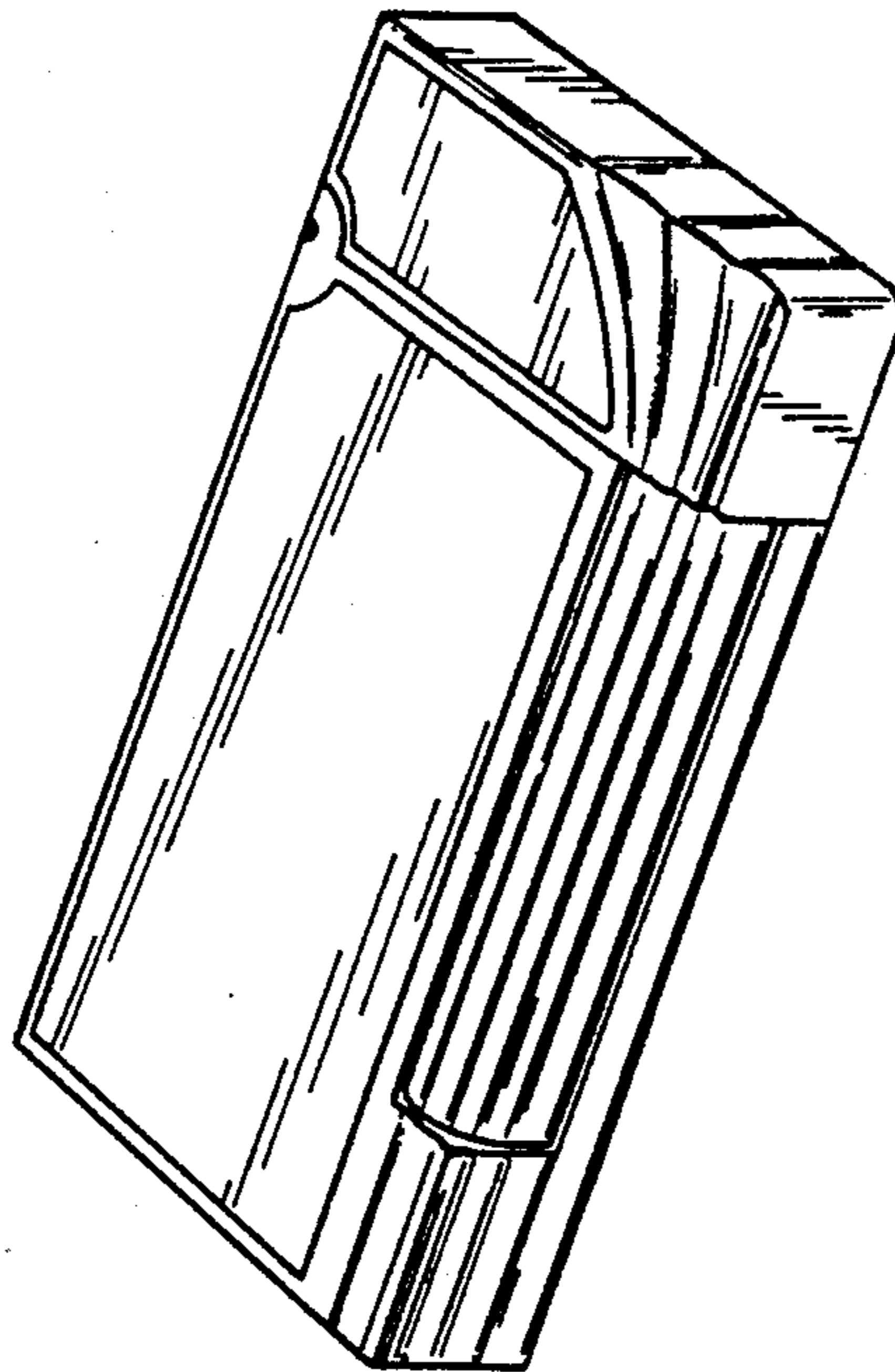
*Primary Examiner*—Wallace R. Burke  
*Assistant Examiner*—H. Baynham

### [57] CLAIM

The ornamental design for a lighter, as shown.

### DESCRIPTION

FIG. 1 is a front view of the lighter showing my new design;  
FIG. 2 is a rear view thereof;  
FIG. 3 is a side view thereof;  
FIG. 4 is an opposite side view thereof;  
FIG. 5 is a bottom view thereof;  
FIG. 6 is a top view thereof; and,  
FIG. 7 is a perspective view thereof.



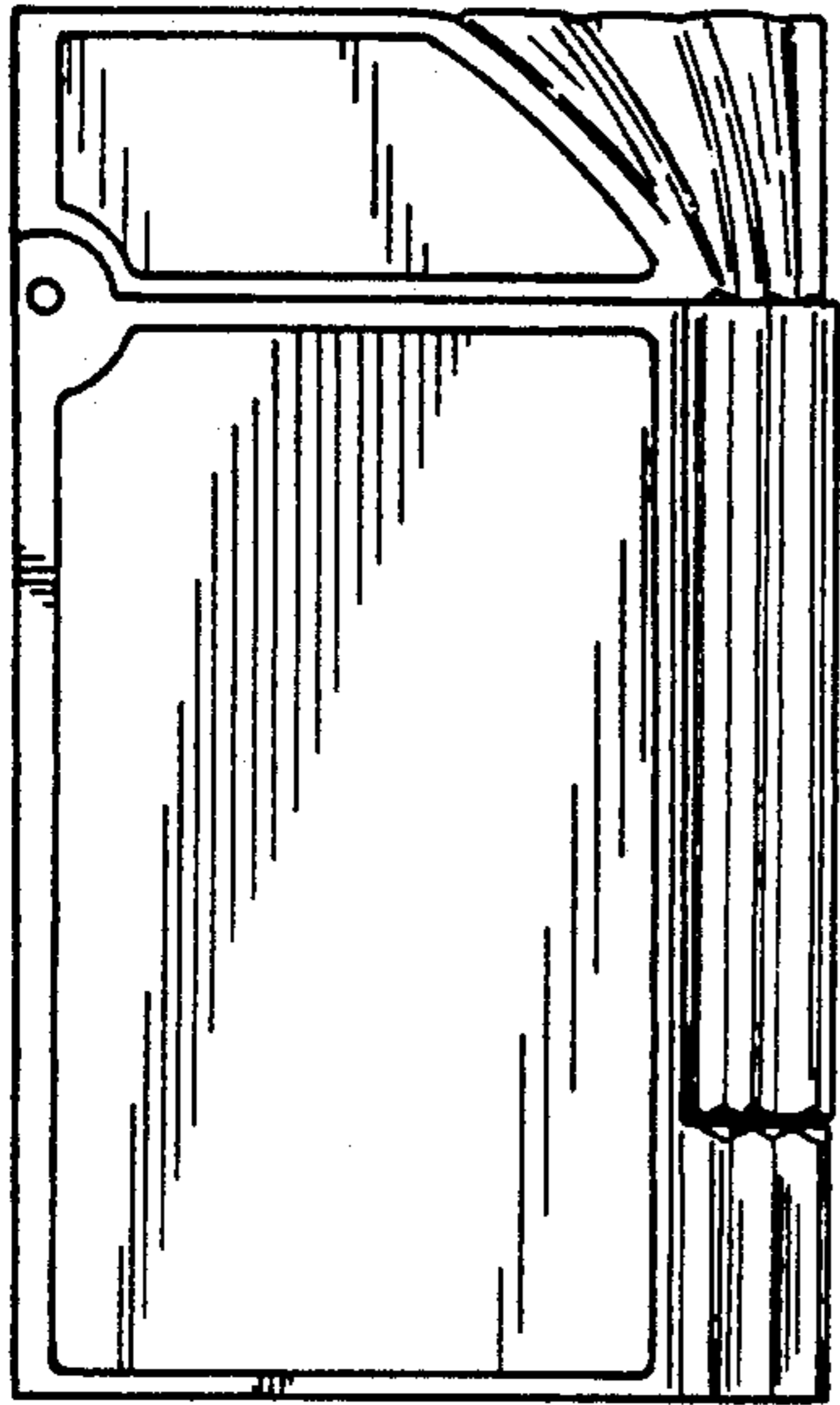


FIG. 1

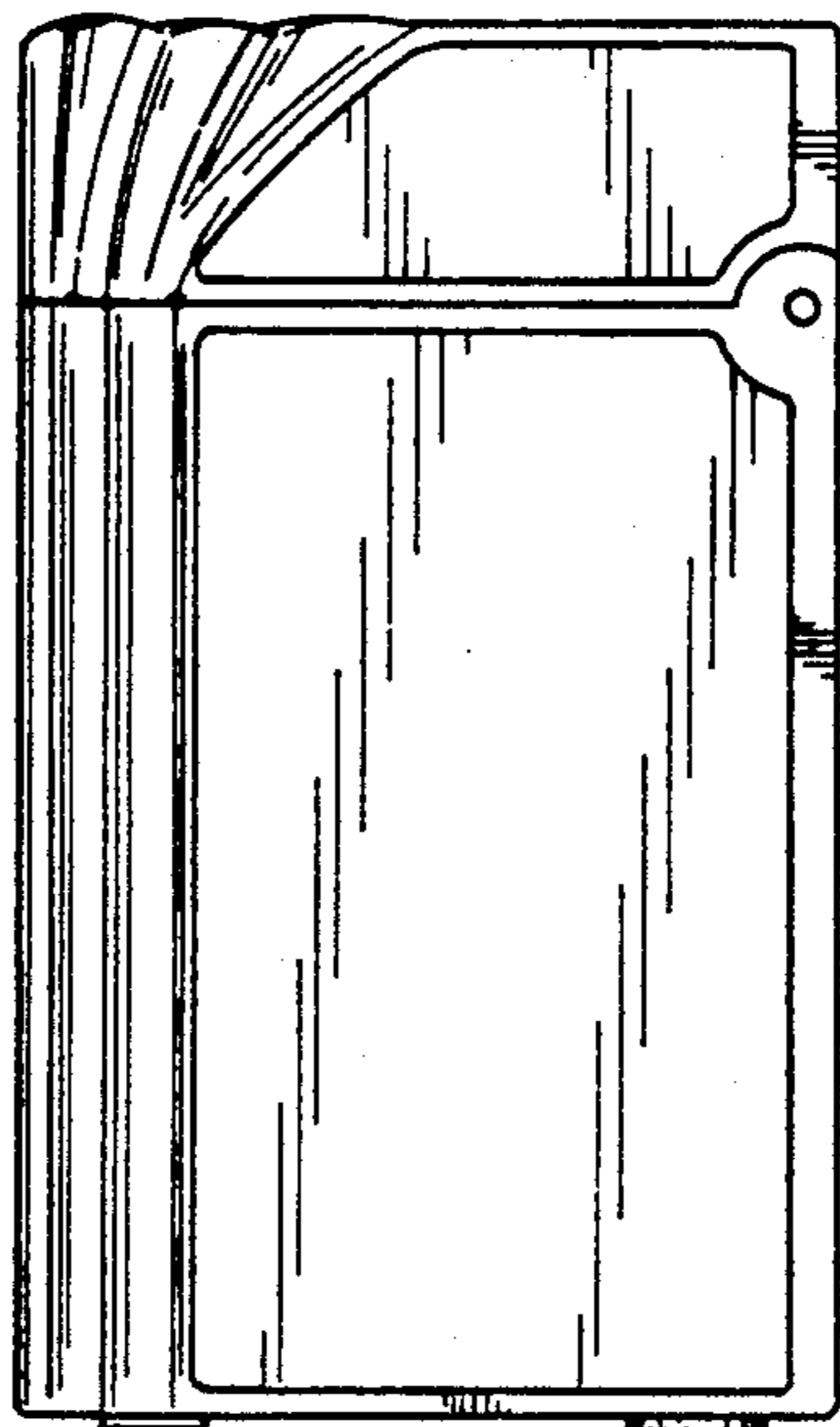


FIG. 2



FIG. 3



FIG. 4

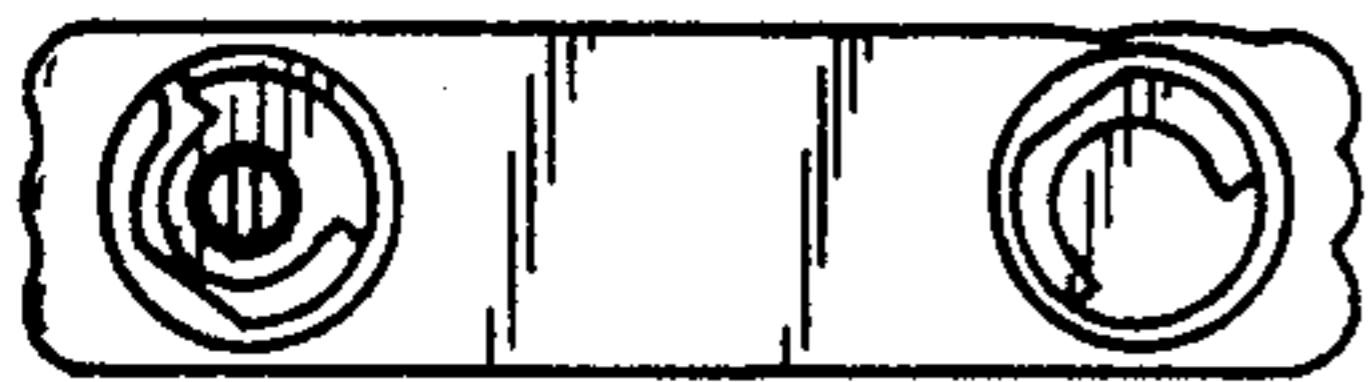


FIG. 5



FIG. 6

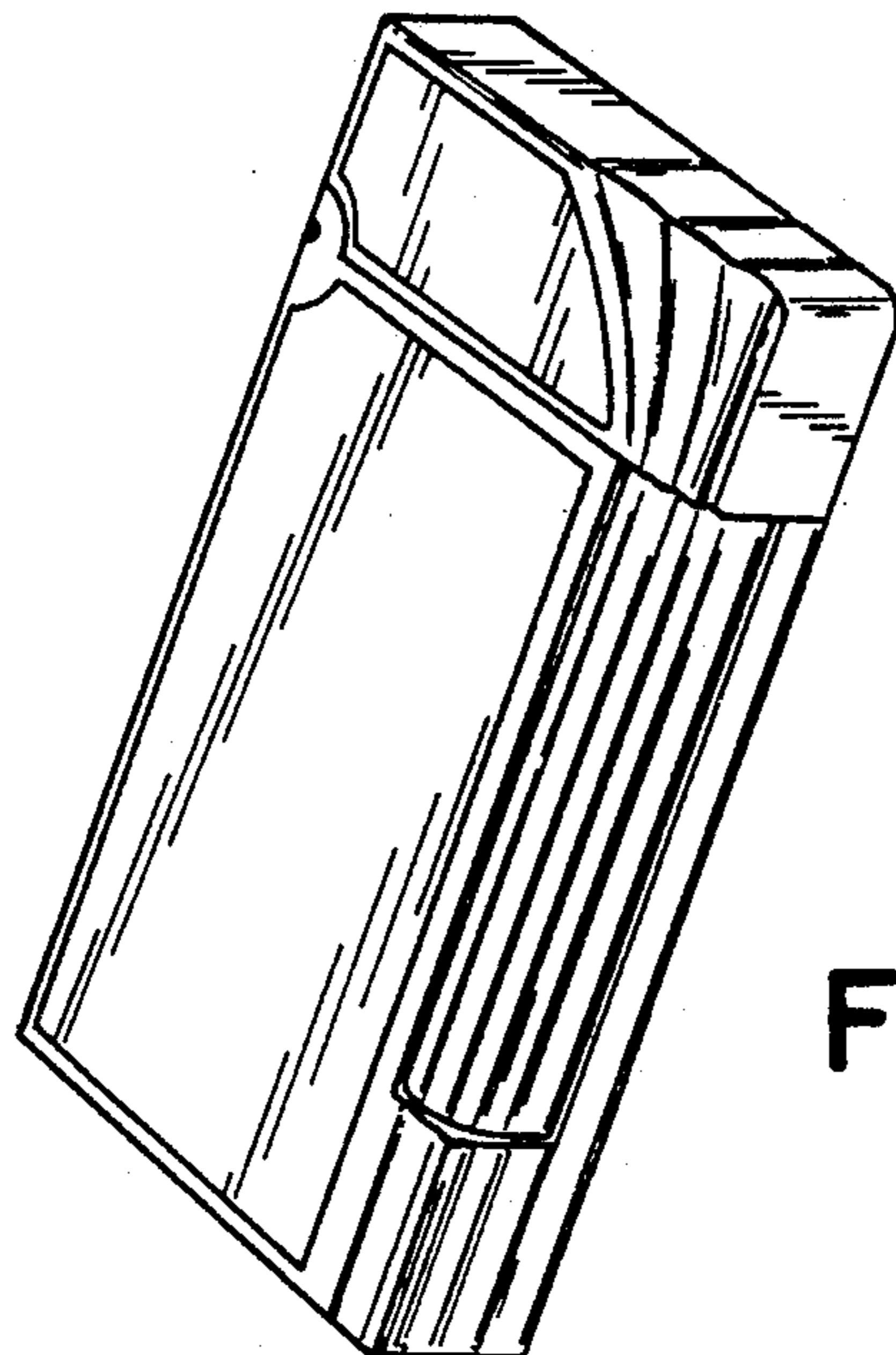


FIG. 7