



US00D337848S

United States Patent [19]

[11] Patent Number: **Des. 337,848**

Meck et al.

[45] Date of Patent: **** Jul. 27, 1993**

[54] LAMP AND BASE

[75] Inventors: **Leslie A. Meck, Blandon; N. Peter Pettersson, Bernville; John Lehn, Reading; Michael J. Becker, Lansdale, all of Pa.**

[73] Assignee: **Baldwin Hardware Corporation, Reading, Pa.**

[**] Term: **14 Years**

[21] Appl. No.: **718,155**

[22] Filed: **Jun. 18, 1991**

[52] U.S. Cl. **D26/110**

[58] Field of Search **D26/93, 102-112; 362/410-414**

[56] **References Cited
PUBLICATIONS**

Home Lighting & Accessories, Sep. 1988, p. 39, 'Quoizel Table Lamp.
Phil Mar Ceramic Lamp Catalog, 1961, p. 29, "Corinth" Table Lamp #321.
Tyndale Lamp Catalog, 1974, p. 15, Table Lamp.

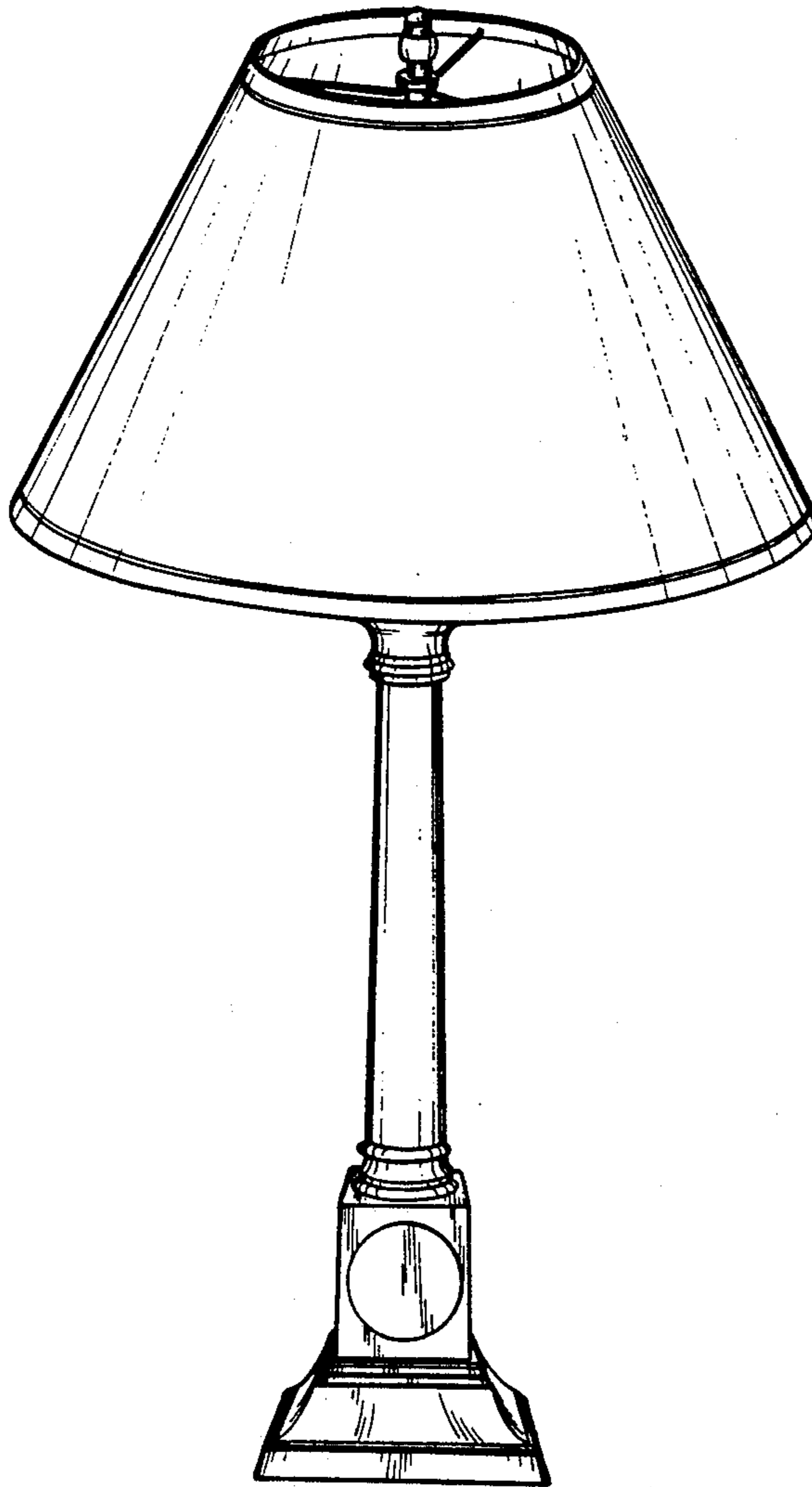
Primary Examiner—Susan J. Lucas
Attorney, Agent, or Firm—Myron B. Kapustij; Malcolm L. Sutherland

[57] **CLAIM**

The ornamental design for a table lamp, as shown and described.

DESCRIPTION

FIG. 1 is a perspective view of a table lamp showing our new design;
FIG. 2 is a side elevational view thereof, all sides being identical; and,
FIG. 3 is a top plan view thereof.



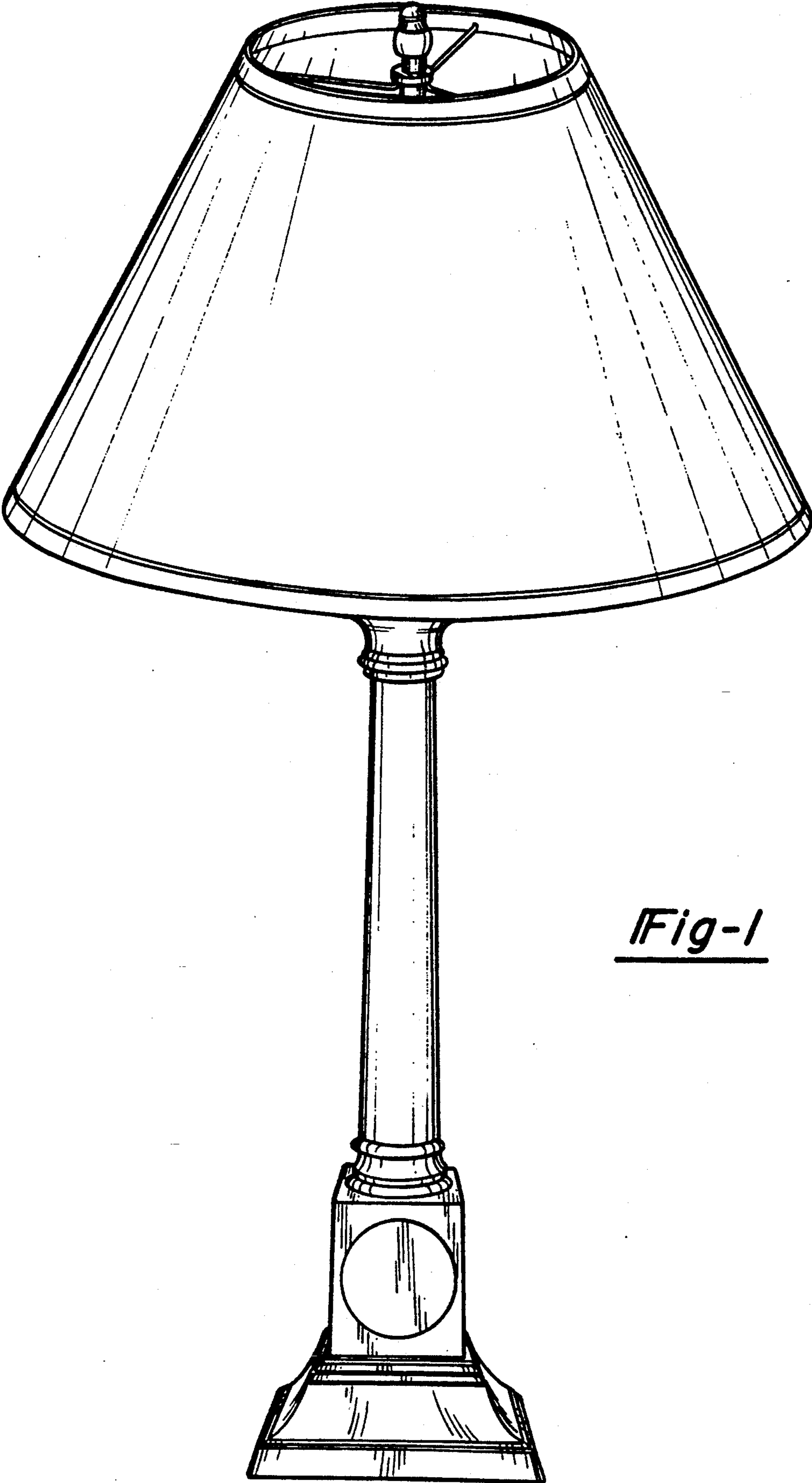


Fig-1

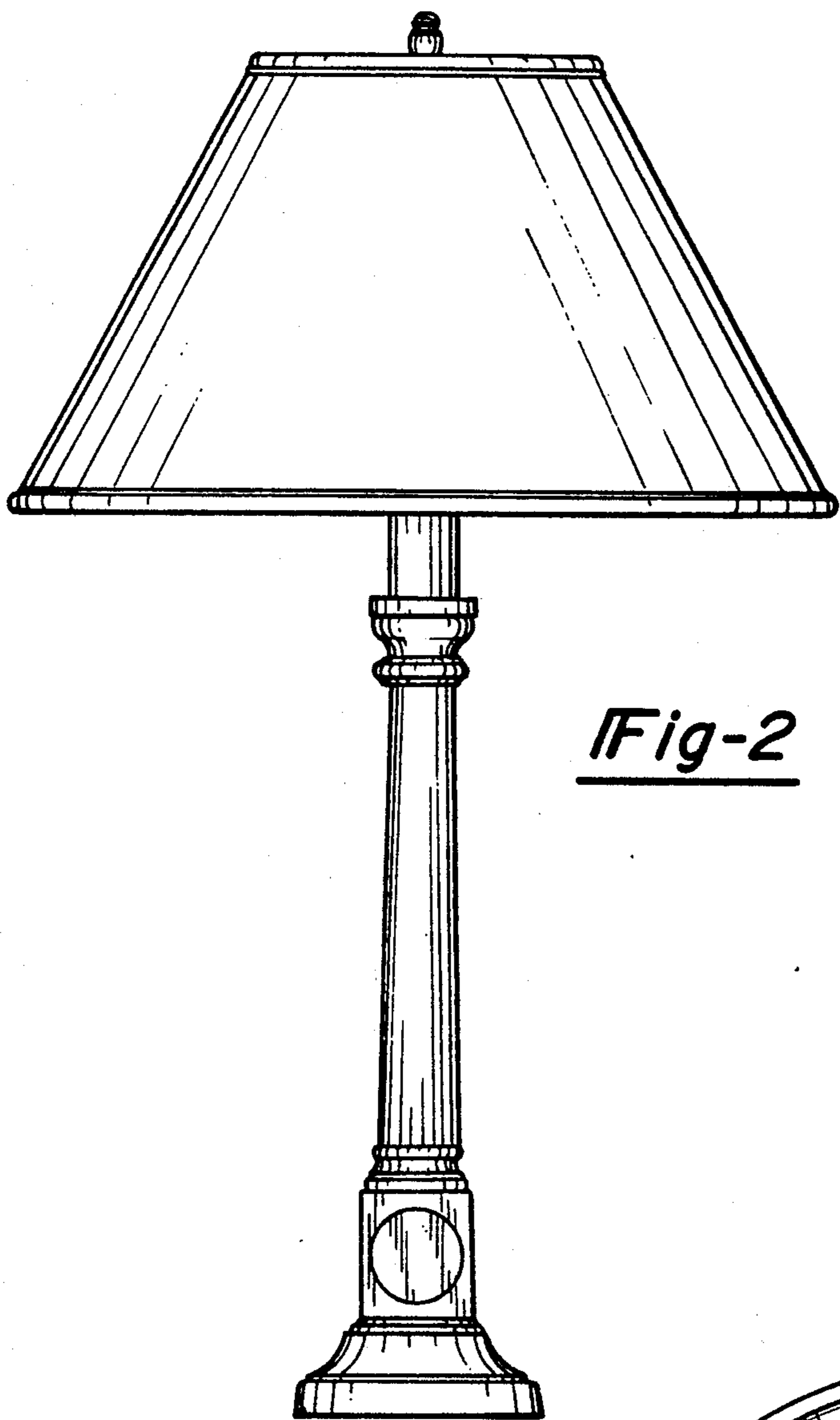


Fig-2

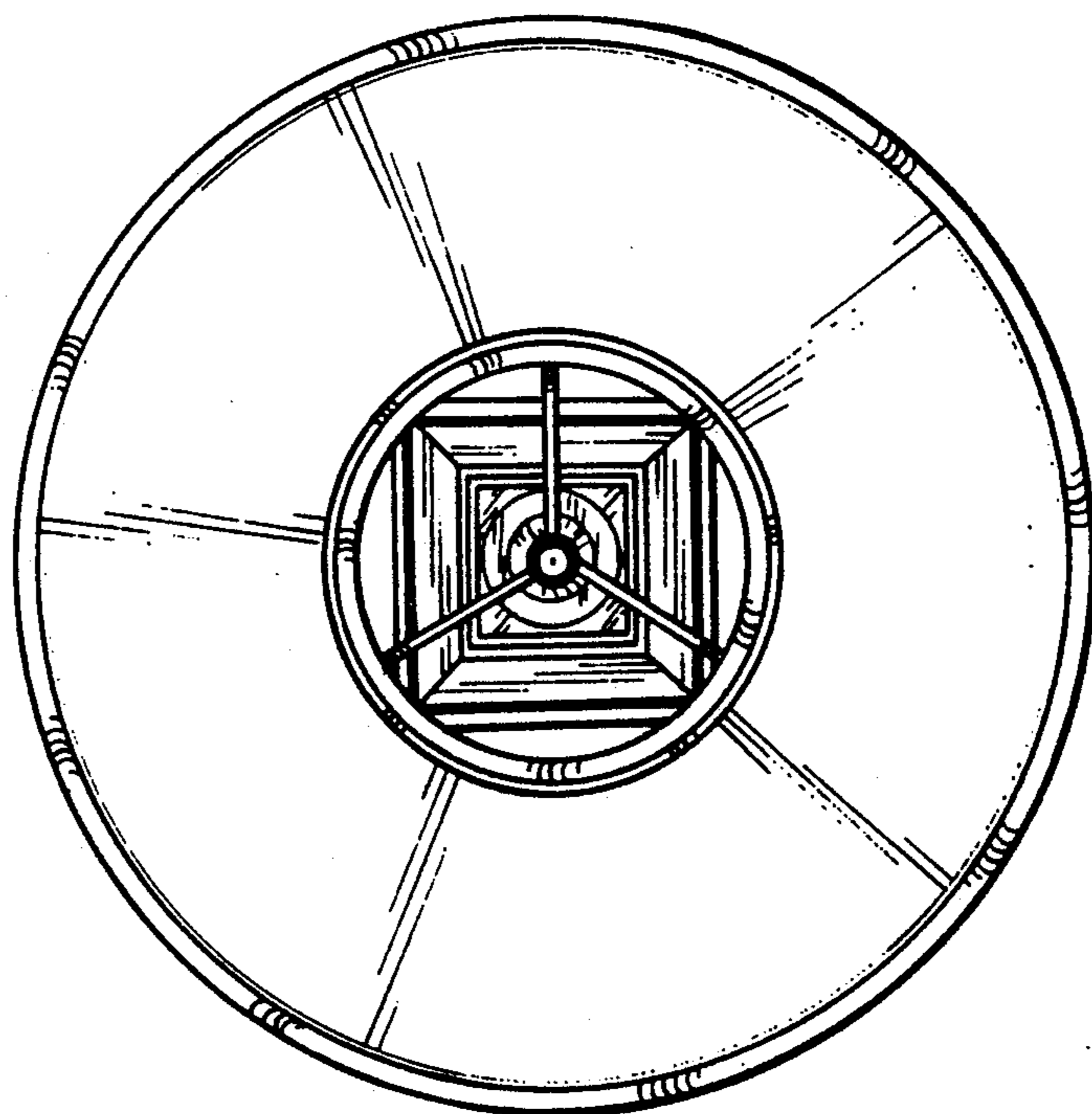


Fig-3