



US00D337847S

# United States Patent [19]

[11] Patent Number: **Des. 337,847**

Meck et al.

[45] Date of Patent: **\*\* Jul. 27, 1993**

[54] FLOOR LAMP

[75] Inventors: **Leslie A. Meck**, Blandon; **N. Peter Pettersson**, Bernville; **John Lehn**, Reading; **Michael J. Becker**, Lansdale, all of Pa.

[73] Assignee: **Baldwin Hardware Corporation**, Reading, Pa.

[\*\*] Term: **14 Years**

[21] Appl. No.: **710,296**

[22] Filed: **Jun. 4, 1991**

[52] U.S. Cl. .... **D26/110**

[58] Field of Search ..... **D26/93, 102-112; 362/410-414**

[56] **References Cited**

**U.S. PATENT DOCUMENTS**

D. 98,611 2/1936 Perlmutter ..... D26/102

**OTHER PUBLICATIONS**

Artistic Lamp Mfg, Co. Inc. Special Value Catalog, 1941, Floor Lamp #39-24.

Home Lighting & Accessories, Oct. 1989, p. 56, Lamp Share.

Home Lighting & Accessories, Mar. 1990, p. 62, Philadelphia Table Lamp.

Home Lighting & Accessories, Mar. 1990. p. 62, Oxford Table Lamp.

*Primary Examiner*—Susan J. Lucas  
*Attorney, Agent, or Firm*—Myron B. Kapustij; Malcolm L. Sutherland

[57] **CLAIM**

The ornamental design for a floor lamp, as shown and described.

**DESCRIPTION**

FIG. 1 is a perspective view of a floor lamp showing our new design;

FIG. 2 is a side elevational view thereof;

FIG. 3 is a top plan view thereof;

FIG. 4 is an enlarged, fragmentary side elevational view of the section of the standard shown within circle 4 in FIG. 2;

FIG. 5 is an enlarged fragmentary side elevational view of the section of the standard shown within circle 5 in FIG. 2;

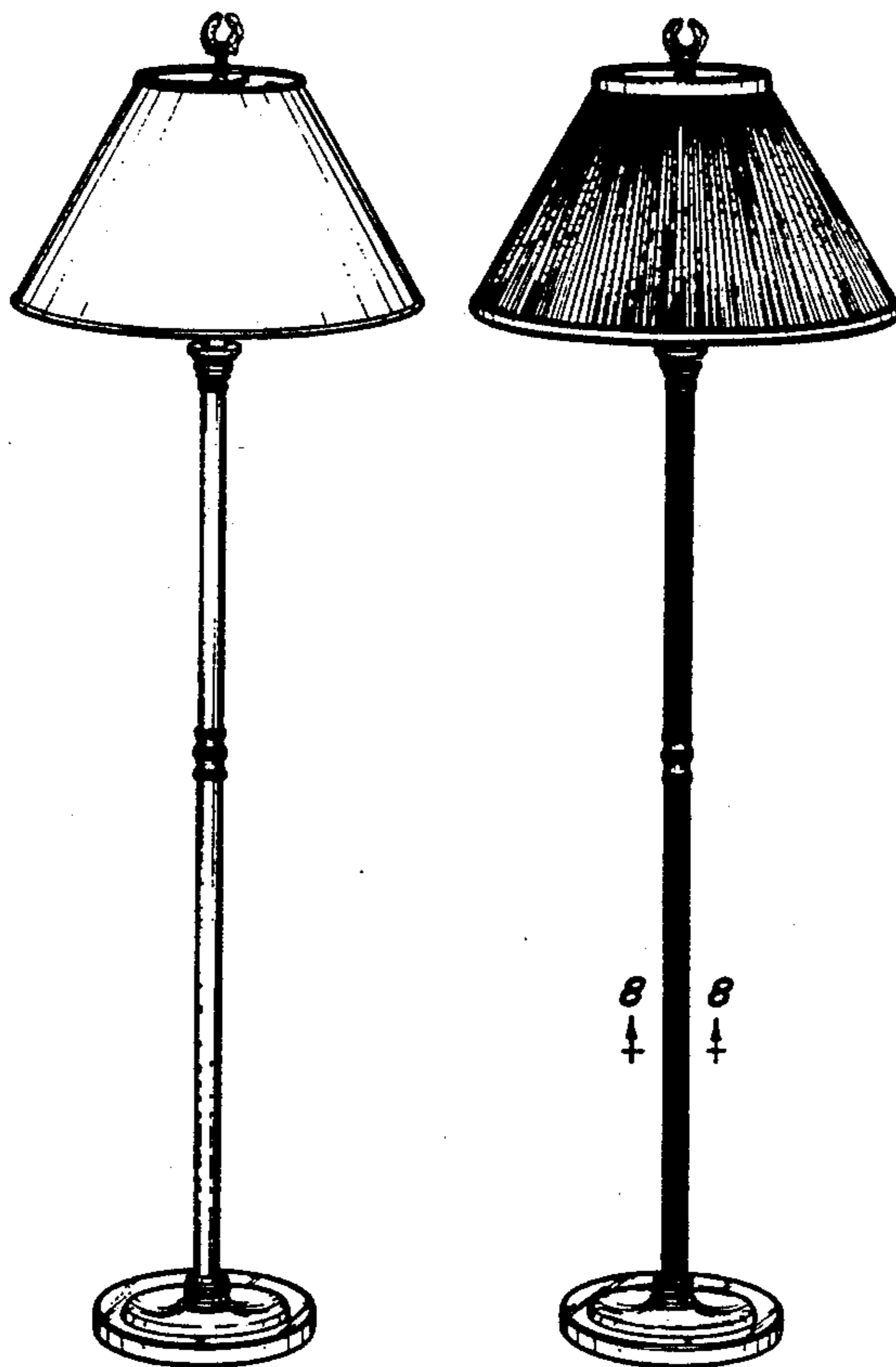
FIG. 6 is an enlarged, fragmentary side elevational view of the base of the standard shown within circle 6 in FIG. 2;

FIG. 7 is a side perspective view of a second embodiment of our new design;

FIG. 8 is an enlarged cross-sectional view thereof as taken along line 8—8 of FIG. 7;

FIG. 9 is a side elevational view thereof; and,

FIG. 10 is a top plan view thereof.



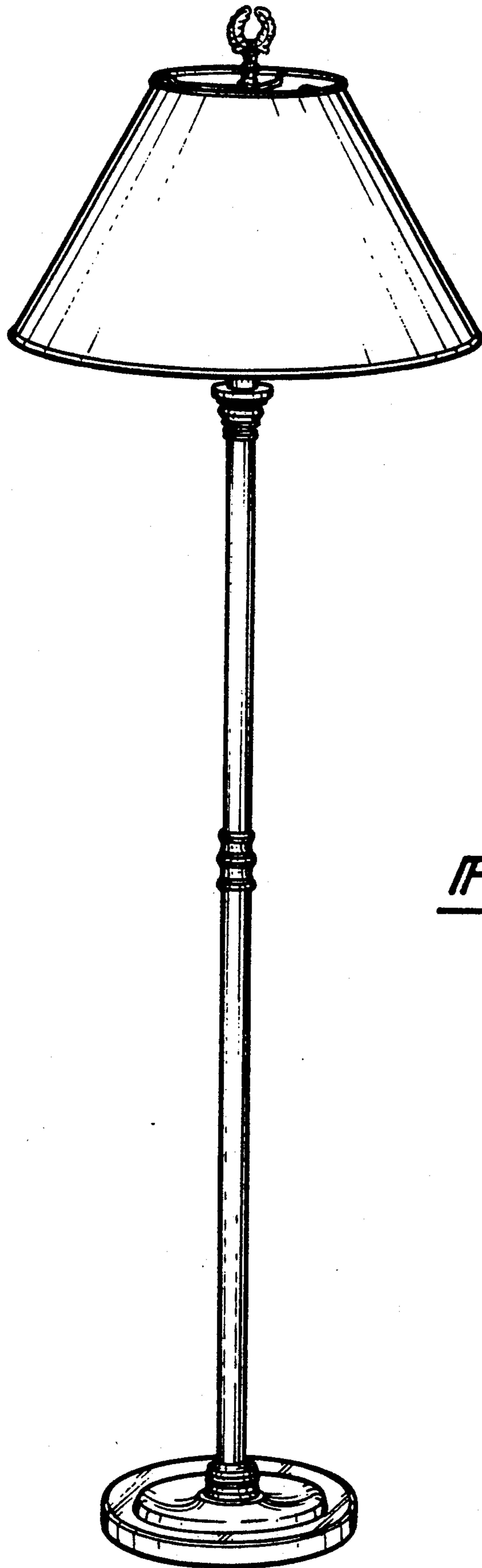


Fig-1

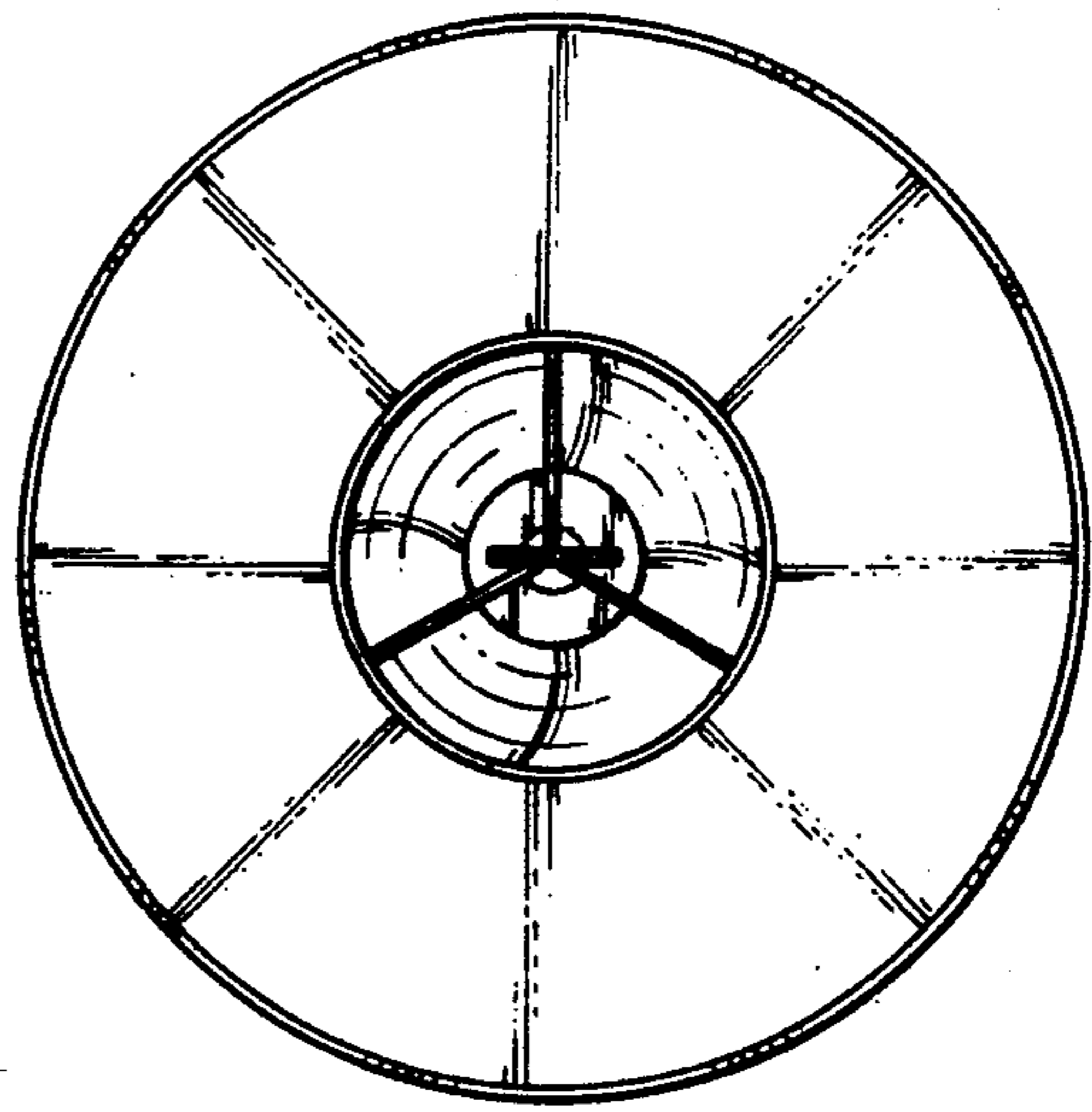
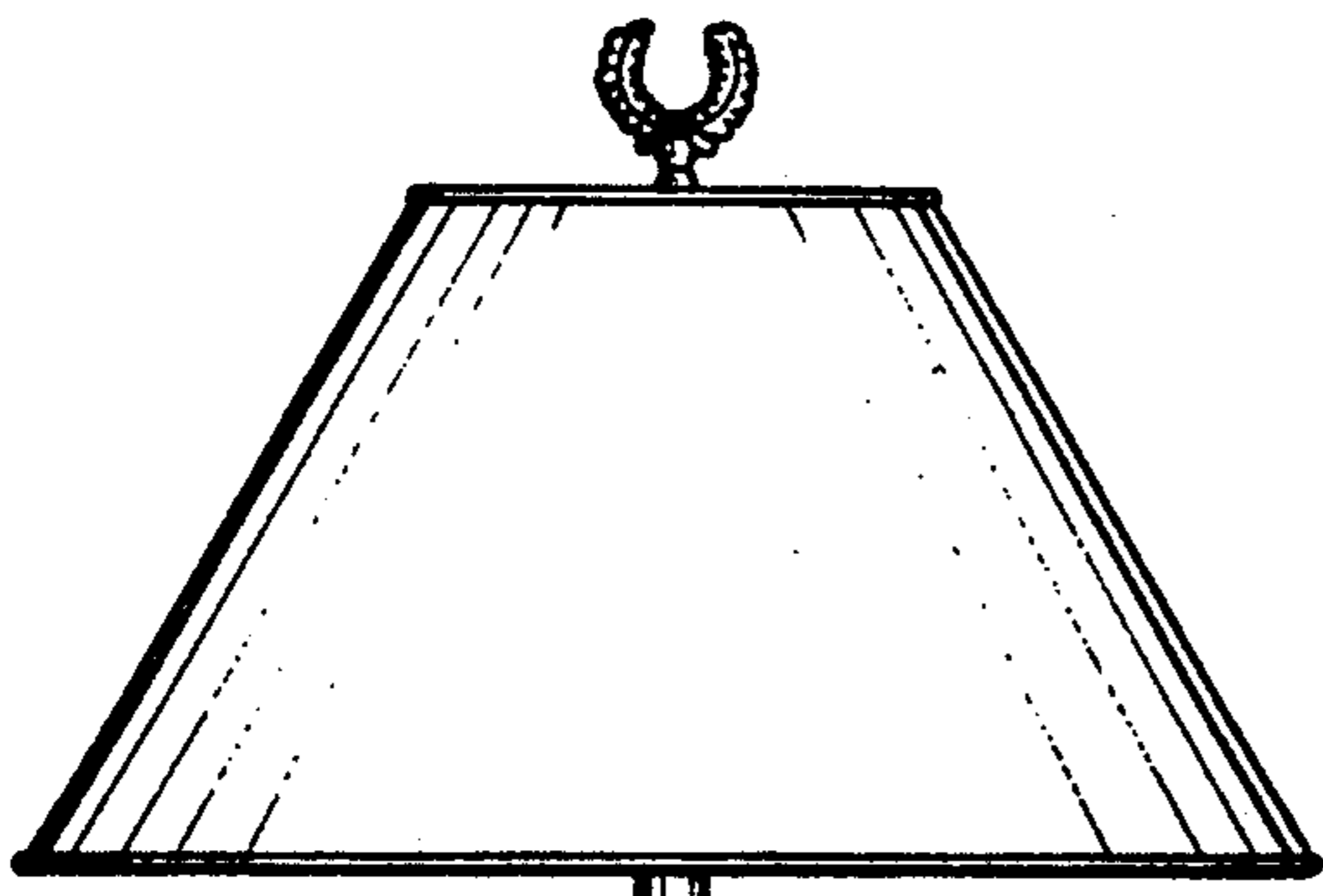


Fig-3

Fig-4

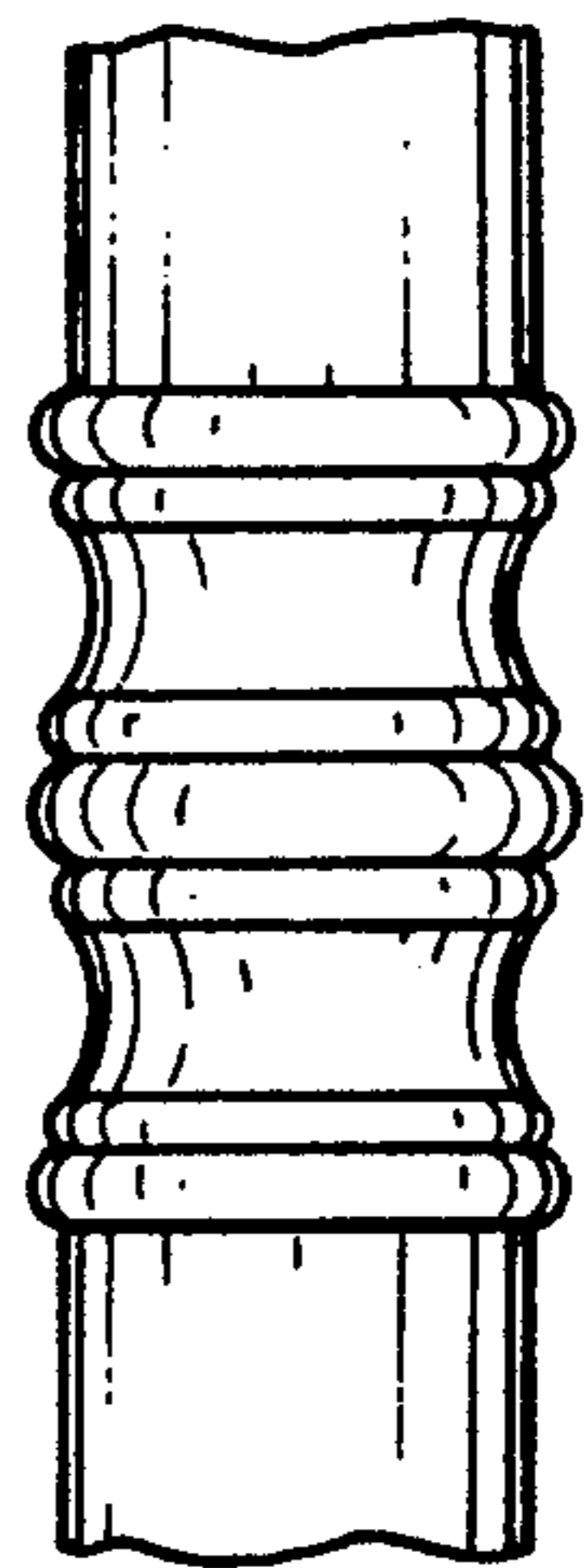
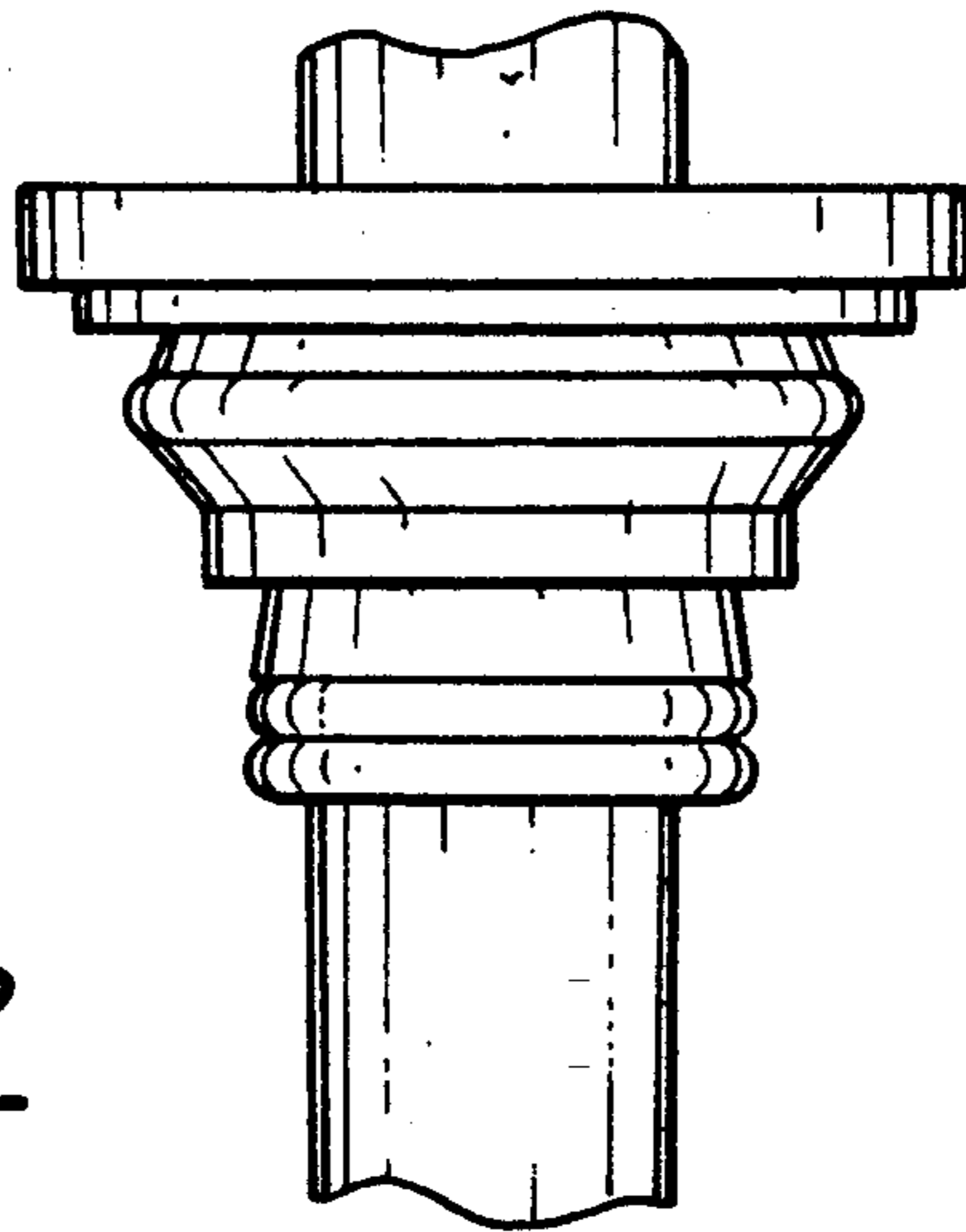


Fig-5

Fig-2

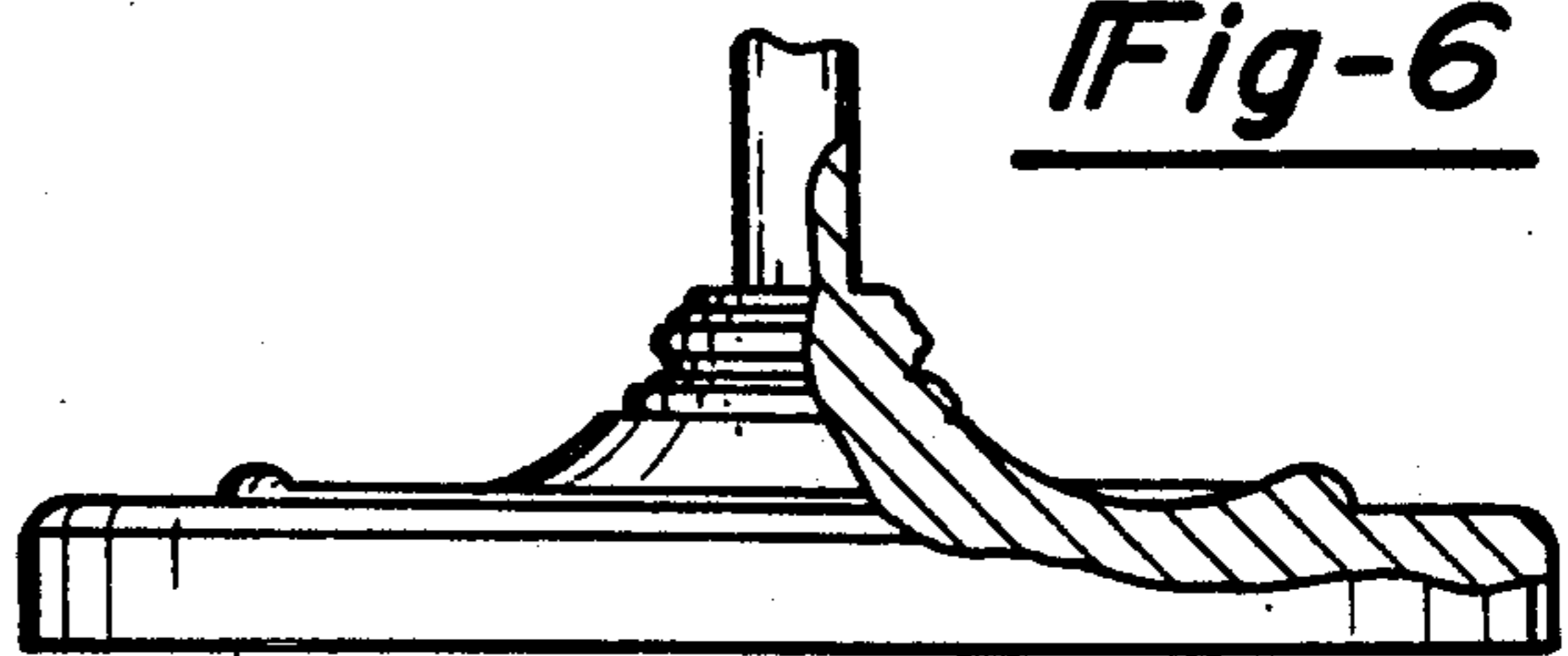
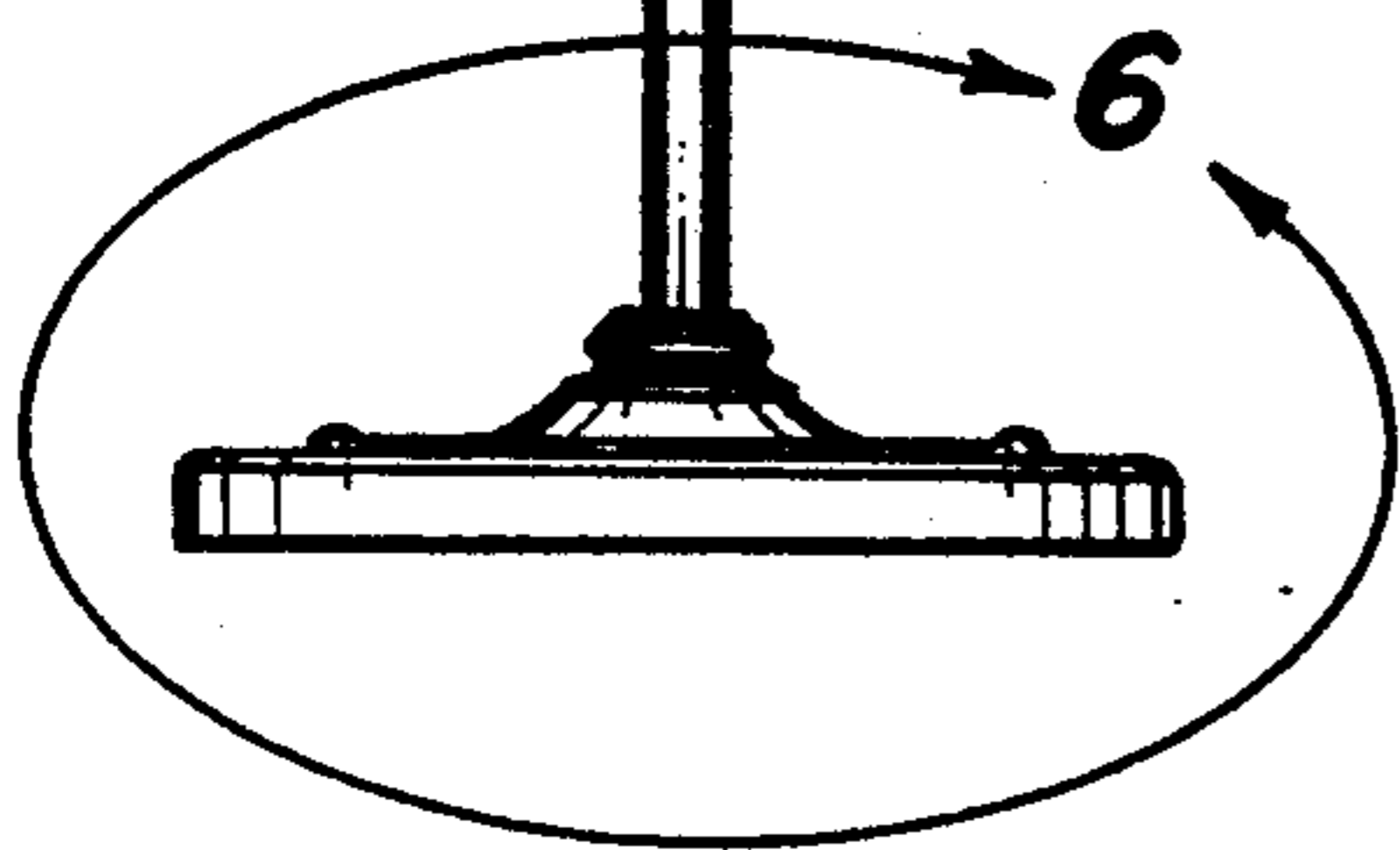


Fig-6

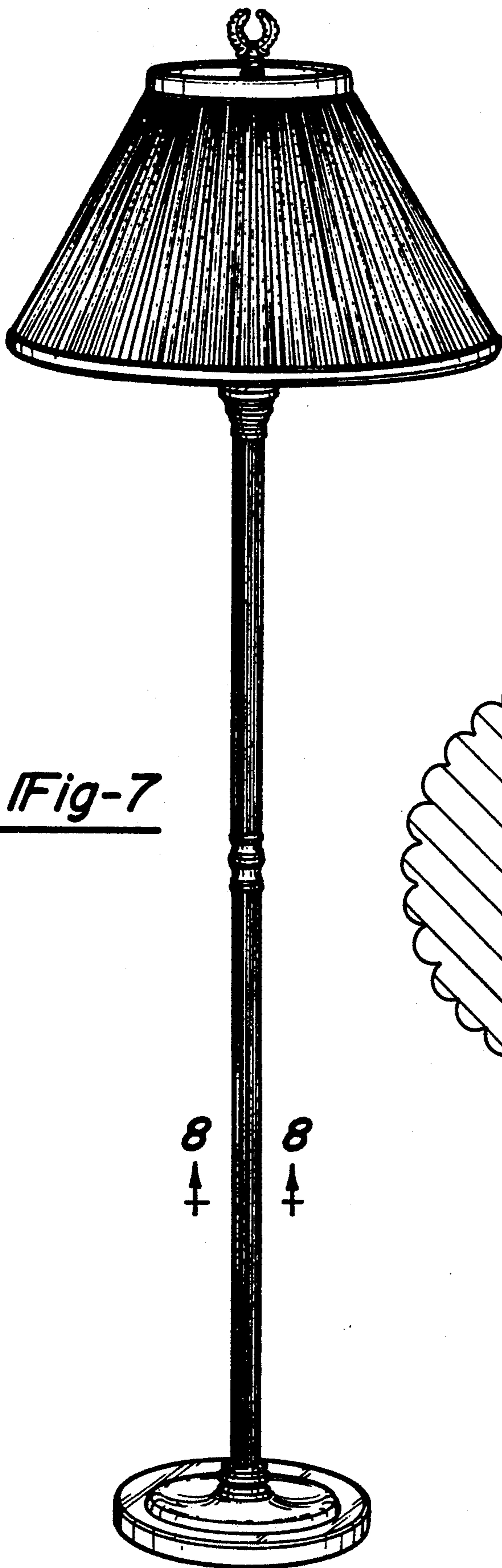


Fig-7

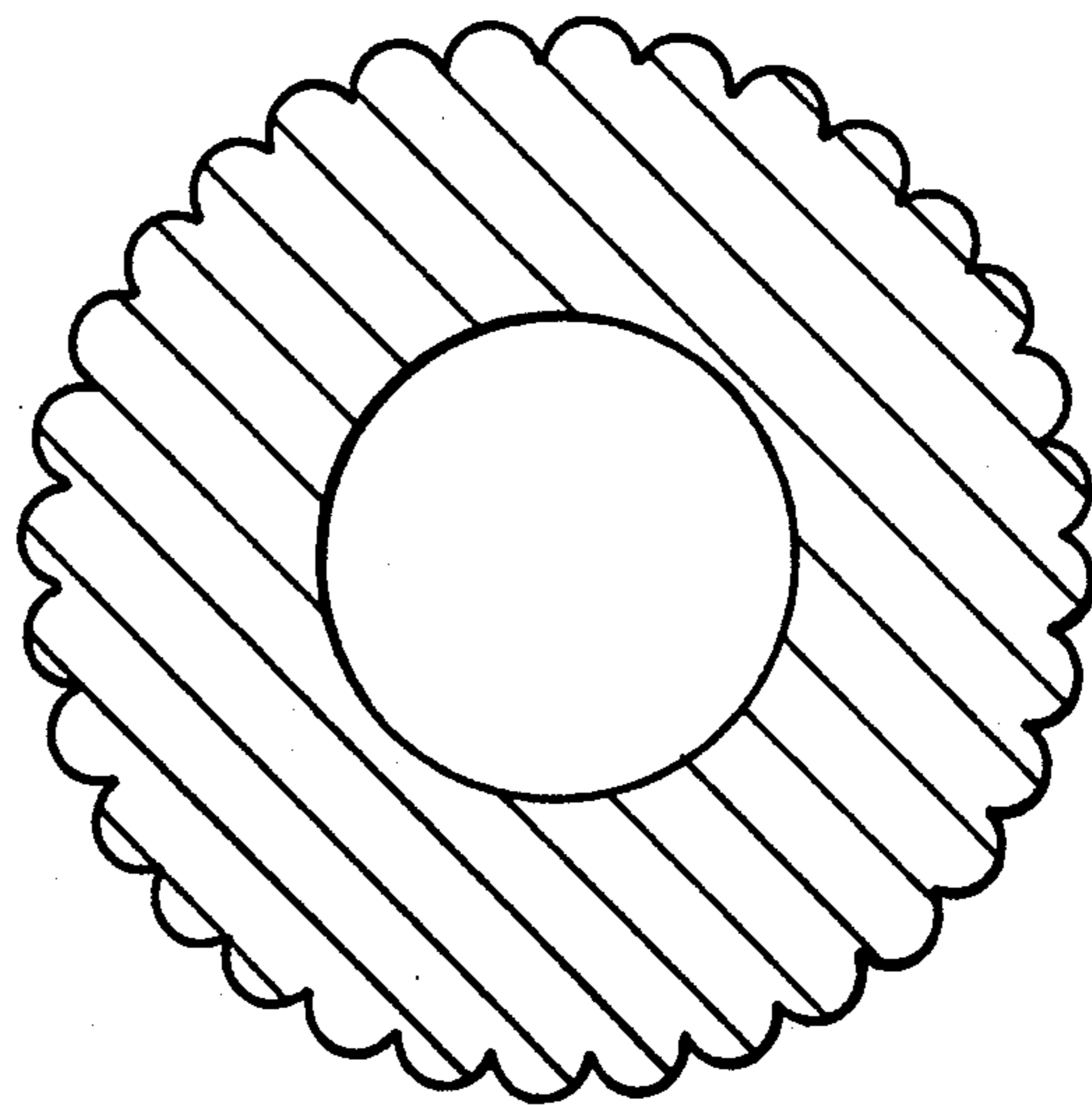


Fig-8

8 8  
↑ ↑

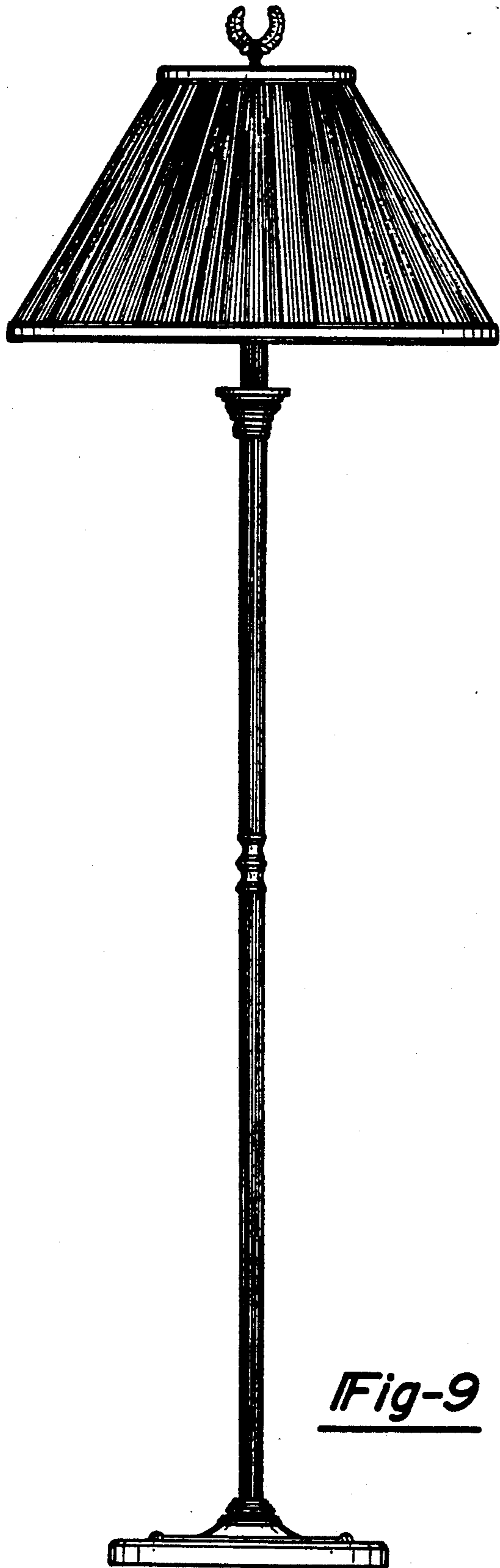


Fig-9

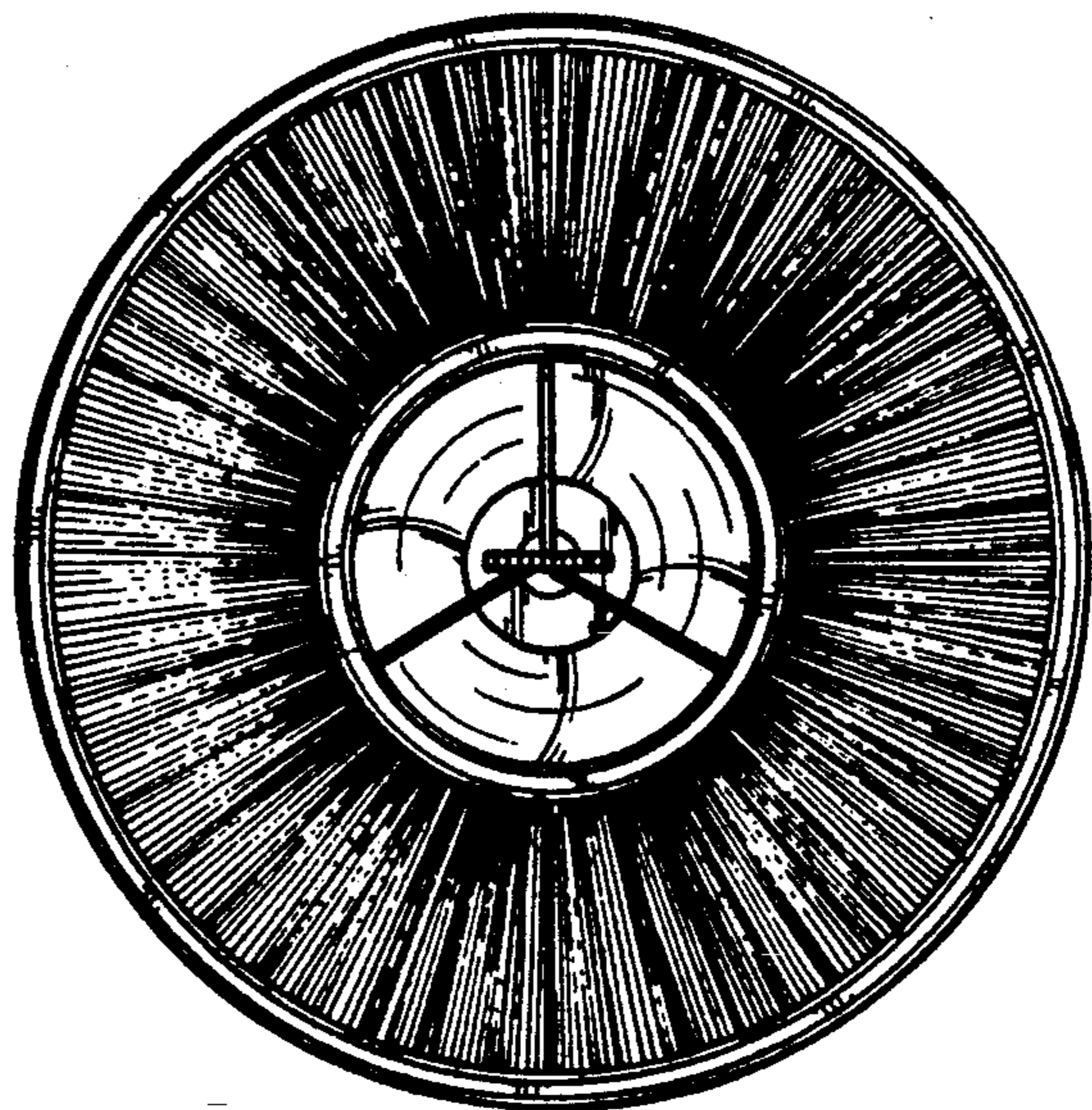


Fig-10